



US00D358652S

United States Patent [19]

[11] Patent Number: **Des. 358,652**

Pretzer

[45] Date of Patent: **** May 23, 1995**

[54] **EMERGENCY MEDICAL BACKBOARD**

4,226,231	10/1980	Andersen	128/870
4,895,173	1/1990	Brault et al.	128/870
5,148,815	9/1992	Britton	128/870

[75] Inventor: **C. Andrew Pretzer**, North Scituate, R.I.

Primary Examiner—Stella Reid
Attorney, Agent, or Firm—Salter & Michaelson

[73] Assignee: **Najo, Inc.**, Providence, R.I.

[**] Term: **14 Years**

[57] **CLAIM**

[21] Appl. No.: **15,304**

The ornamental design for an emergency medical backboard, as shown and described.

[22] Filed: **Nov. 15, 1993**

DESCRIPTION

[52] U.S. Cl. **D24/190**

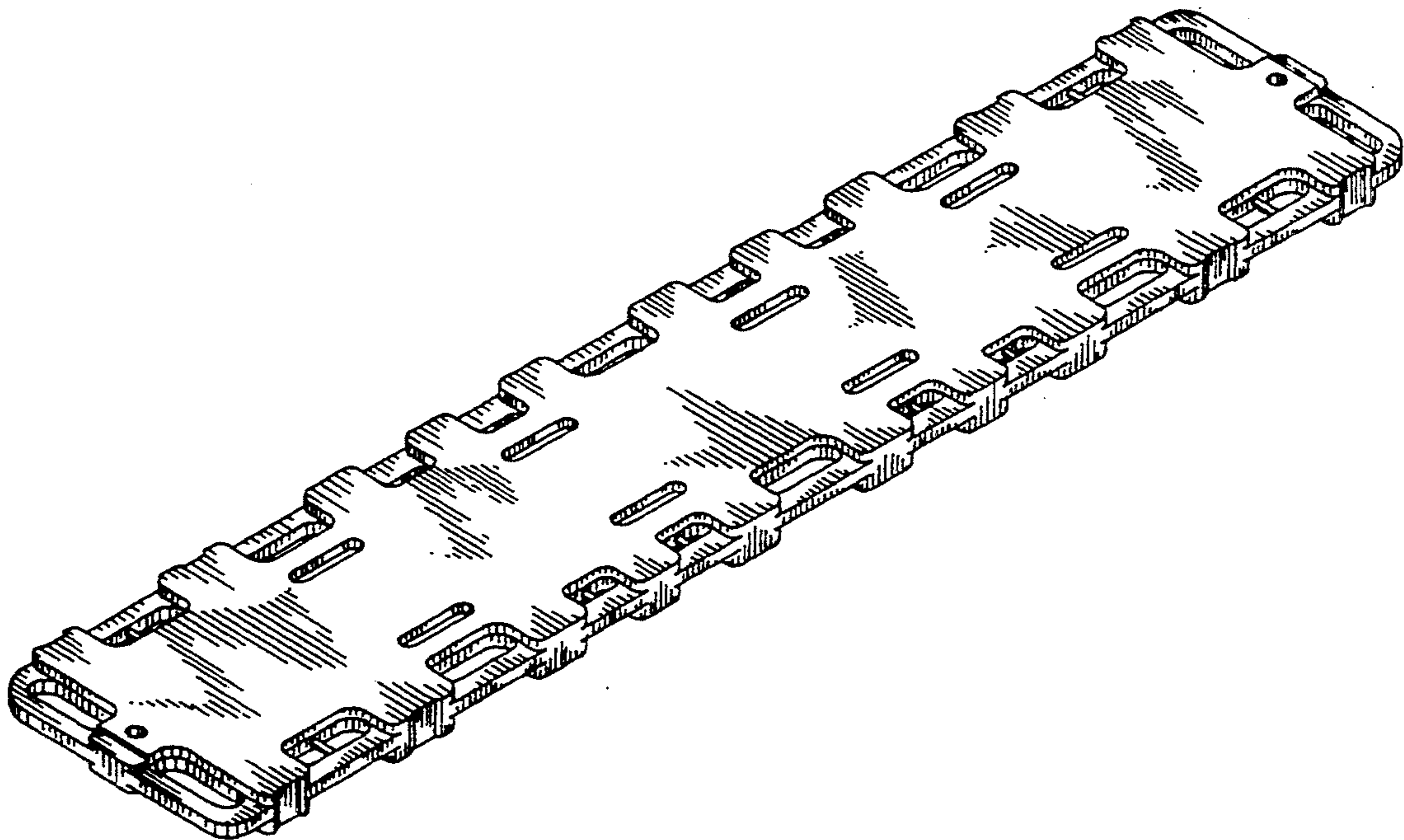
[58] Field of Search D24/190; 128/870, 876, 128/874; 602/19; 5/81.1, 89.1, 625, 628

FIG. 1 is a perspective view of an emergency medical backboard, showing my new design;
 FIG. 2 is a top plan view thereof, the bottom plan view being identical;
 FIG. 3 is a right side elevational view thereof, the left side being identical; and,
 FIG. 4 is an end elevational view thereof, the opposite end being identical.

[56] **References Cited**

U.S. PATENT DOCUMENTS

D. 318,125	7/1991	Miller	D24/190
D. 328,351	7/1992	Ott	D24/190



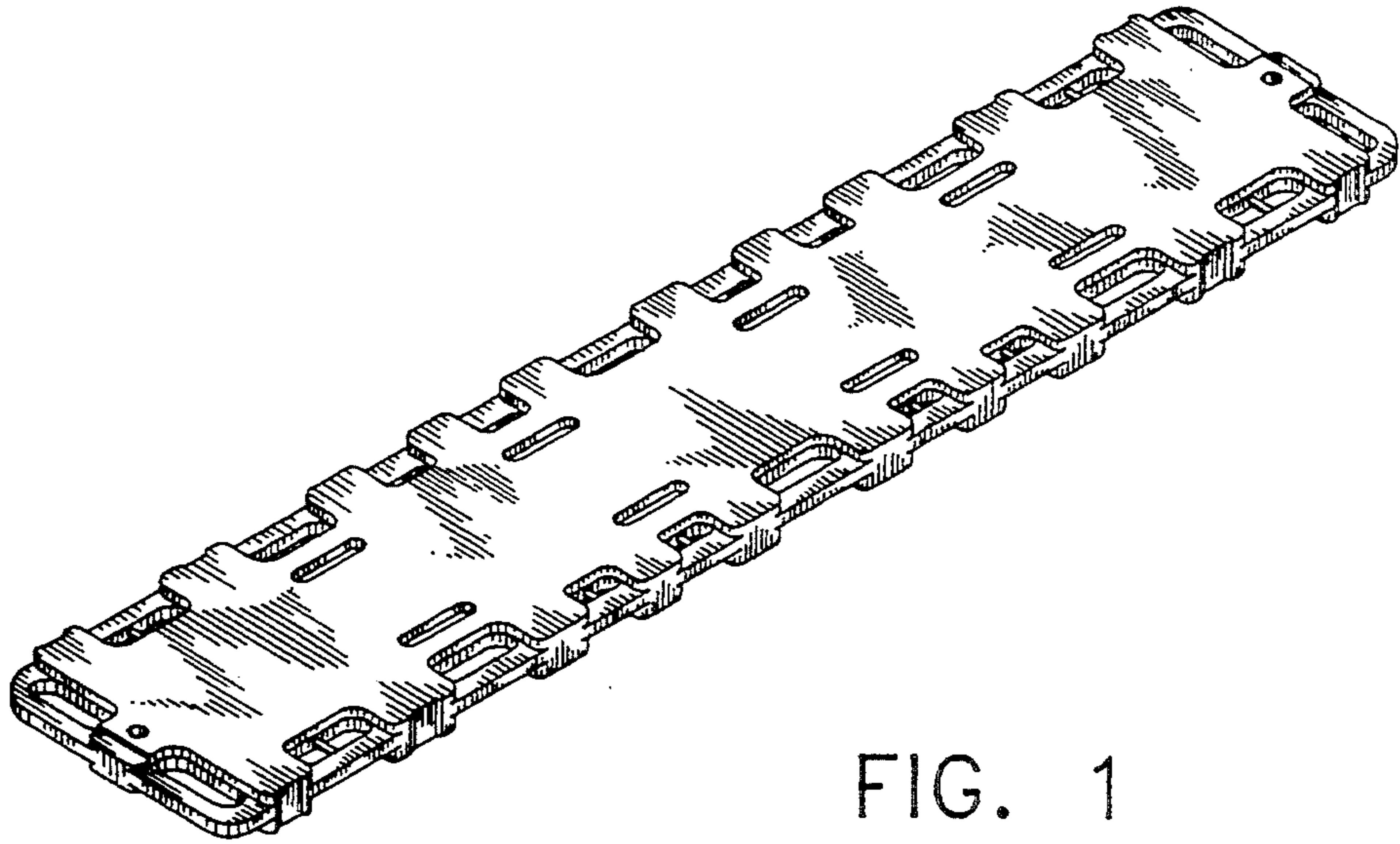


FIG. 1

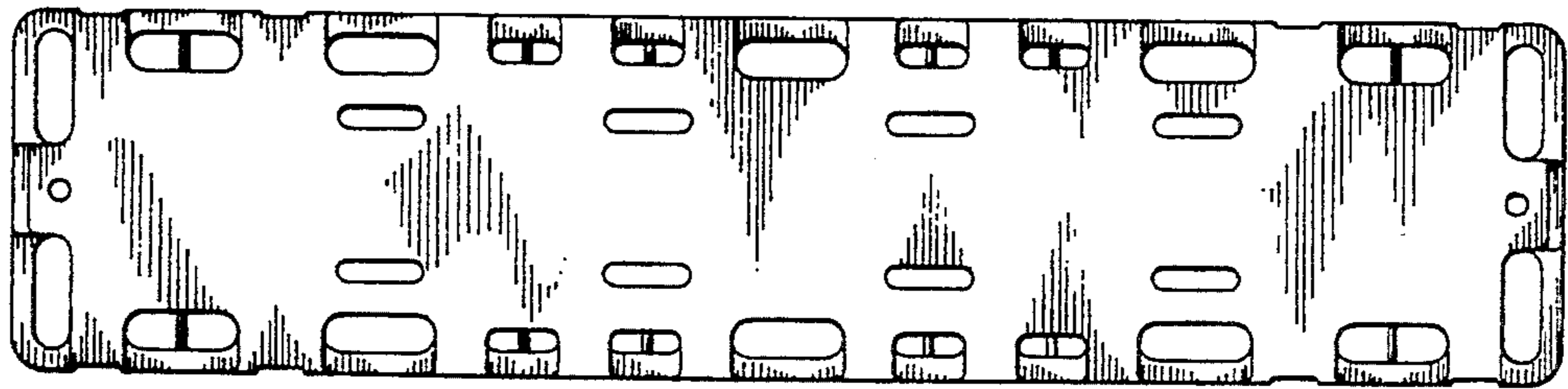


FIG. 2



FIG. 3



FIG. 4