



US00D358650S

# United States Patent [19]

[11] Patent Number: **Des. 358,650**

Moschik

[45] Date of Patent: **\*\* May 23, 1995**

## [54] ORTHODONTIC DEVICE HAVING A CERAMIC TOOTH ATTACHMENT

[75] Inventor: **Erich Moschik**, St. Veit/Glan, Austria

[73] Assignee: **Hirsch Advanced Ceramics Gesellschaft m.b.H.**, Klagenfurt, Austria

[\*\*] Term: **14 Years**

[21] Appl. No.: **15,220**

[22] Filed: **Nov. 10, 1993**

### [30] Foreign Application Priority Data

|                      |         |                        |                |
|----------------------|---------|------------------------|----------------|
| May 14, 1993 [AT]    | Austria | .....                  | MU1432/93      |
| [52] U.S. Cl.        | .....   |                        | <b>D24/180</b> |
| [58] Field of Search | .....   | D24/180; 433/8, 9, 10, |                |
|                      |         | 433/13, 16             |                |

## [56] References Cited

### U.S. PATENT DOCUMENTS

|            |         |              |       |         |
|------------|---------|--------------|-------|---------|
| D. 289,329 | 4/1987  | Evans        | ..... | D24/180 |
| D. 290,040 | 5/1987  | Kelly        | ..... | D24/180 |
| D. 315,957 | 4/1991  | Kelly et al. | ..... | D24/180 |
| 4,838,786  | 6/1989  | Reher et al. | ..... | 433/9   |
| 5,358,402  | 10/1994 | Reed et al.  | ..... | 433/8   |

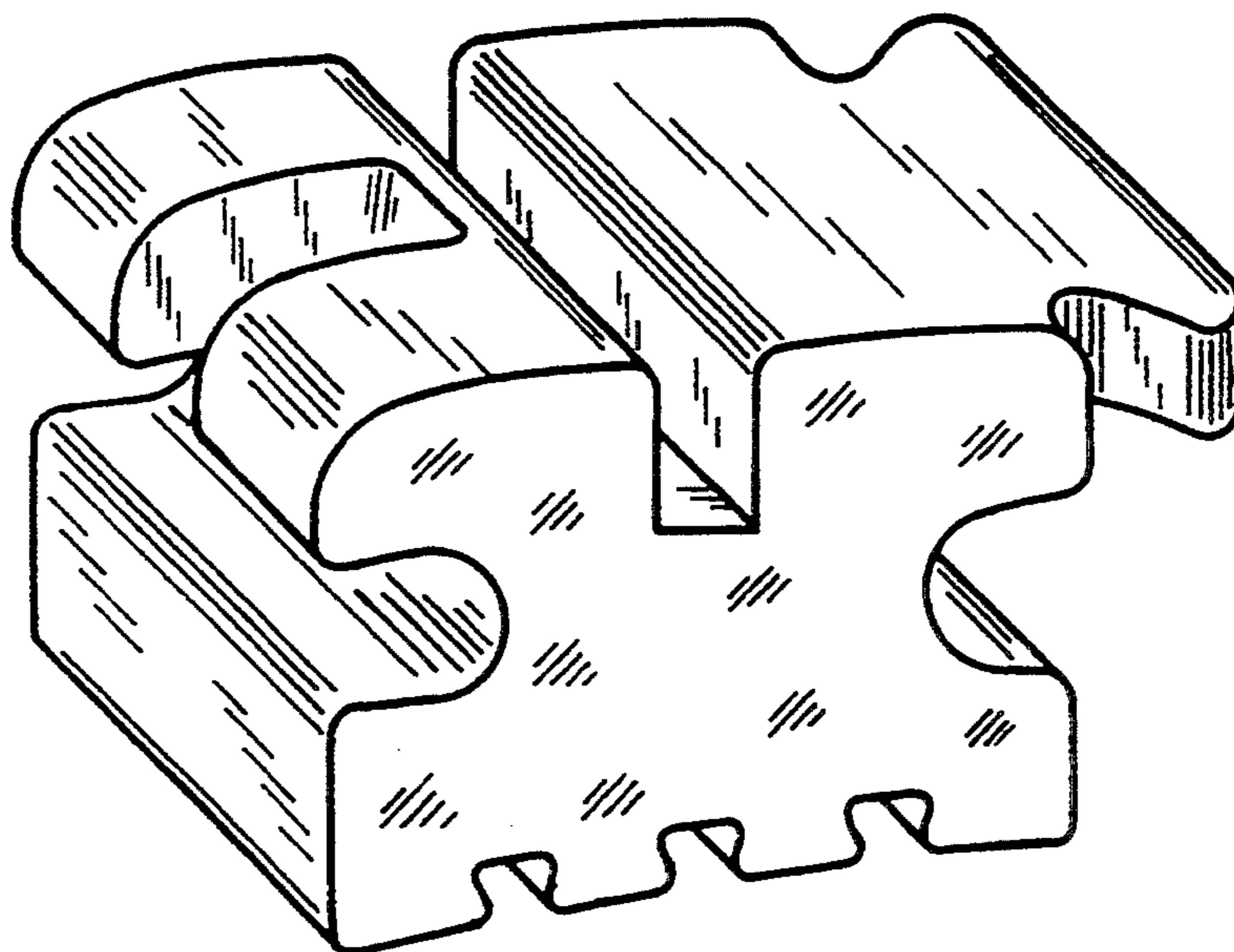
*Primary Examiner*—Kay H. Chin  
*Attorney, Agent, or Firm*—Collard & Roe

## [57] CLAIM

The ornamental design for an orthodontic device having a ceramic tooth attachment, as shown and described.

## DESCRIPTION

FIG. 1 is a top view of the orthodontic device having a ceramic tooth attachment;  
 FIG. 2 is a bottom view thereof;  
 FIG. 3 is a front view thereof;  
 FIG. 4 is a back side view thereof;  
 FIG. 5 is a left side view thereof;  
 FIG. 6 is a right side view thereof; and,  
 FIG. 7 is a perspective view thereof.



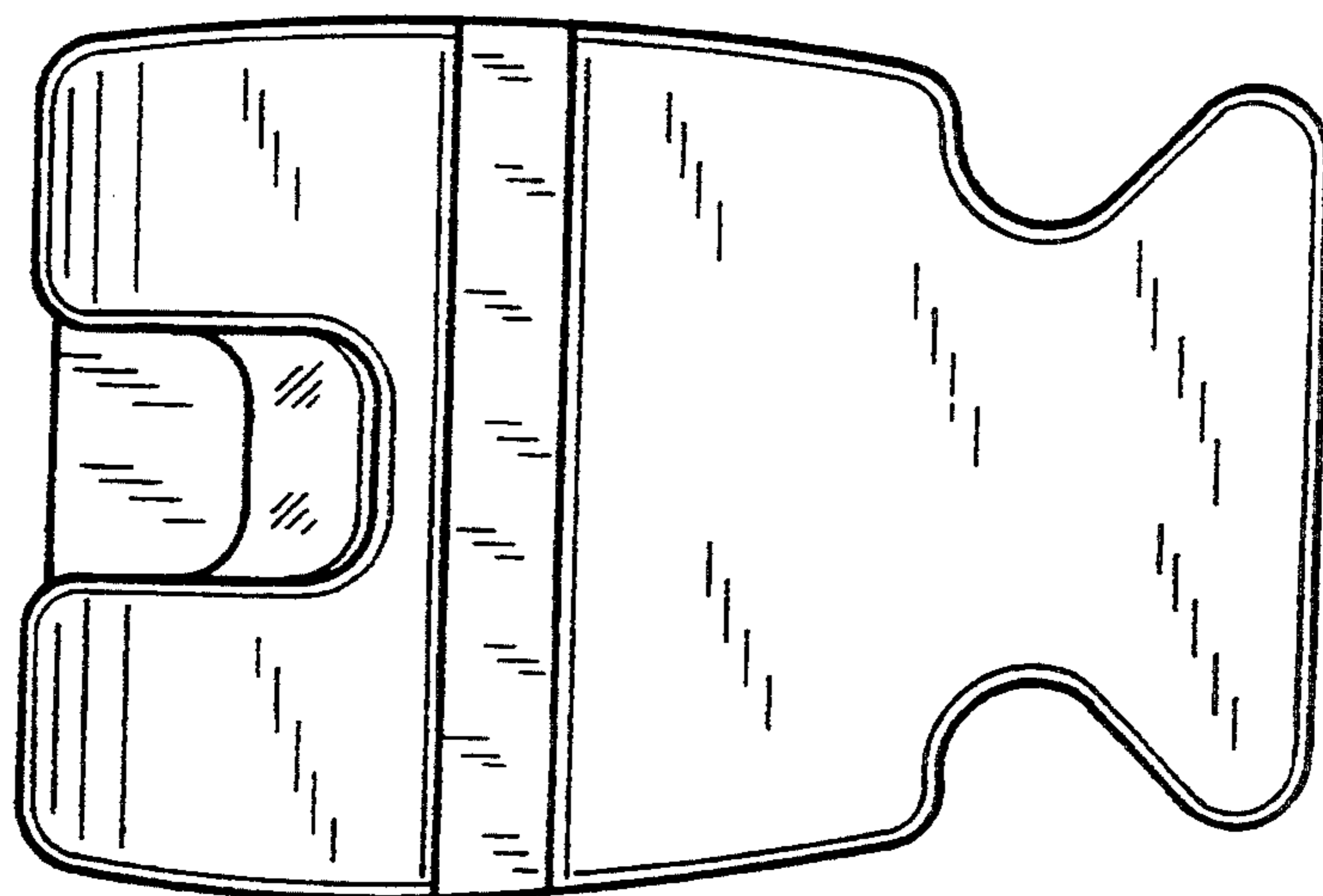


FIG. 1

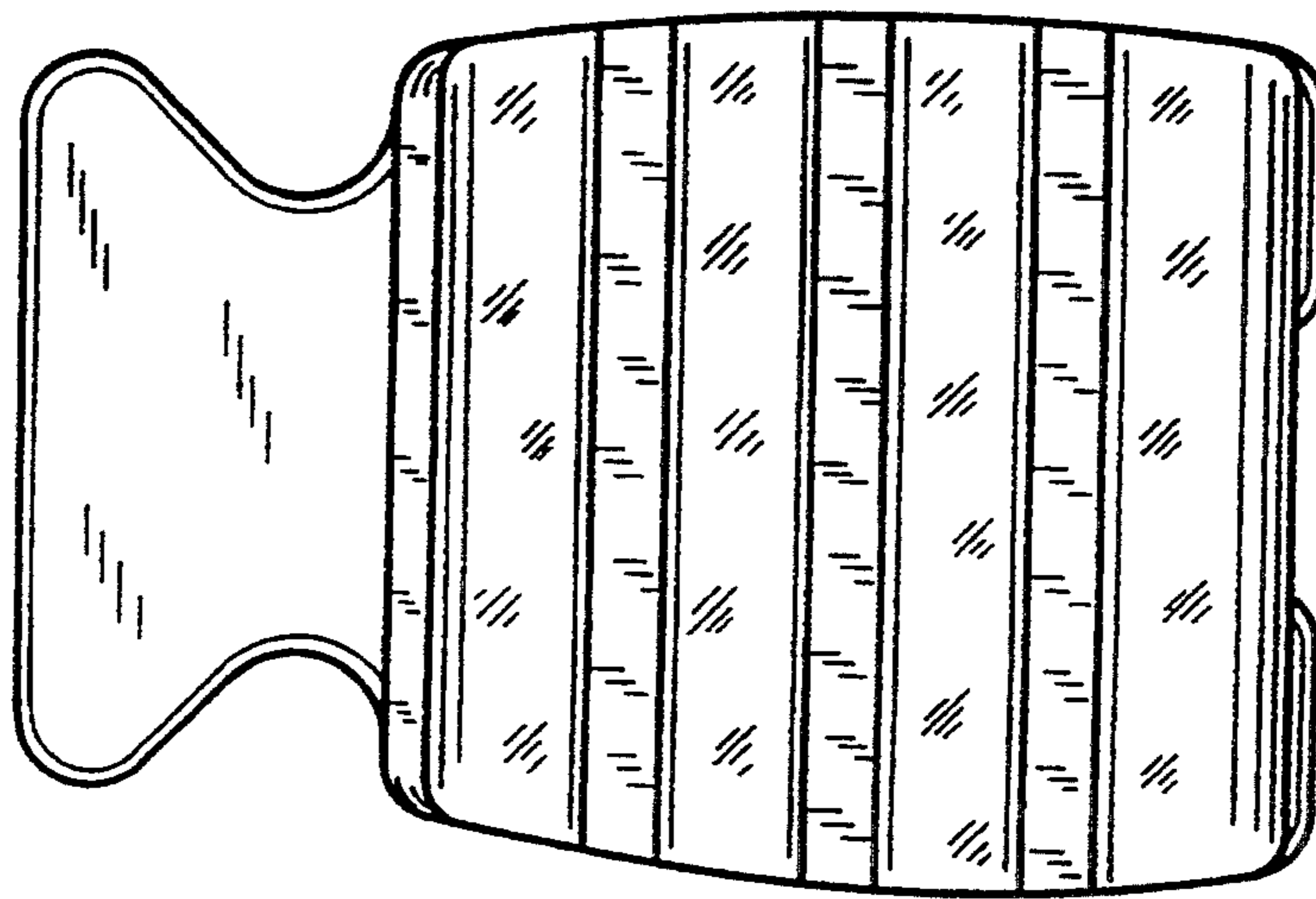


FIG. 2

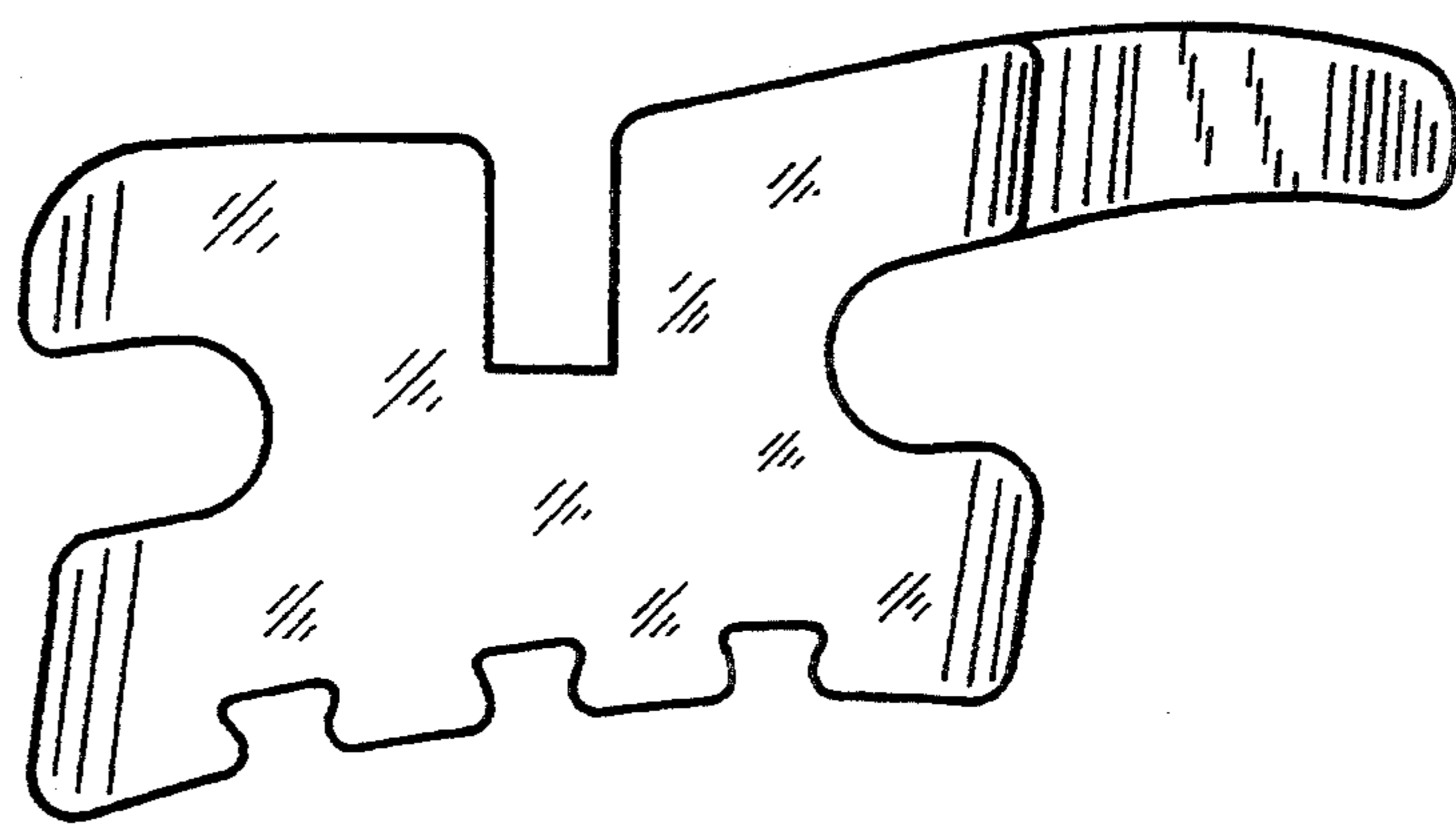


FIG. 3

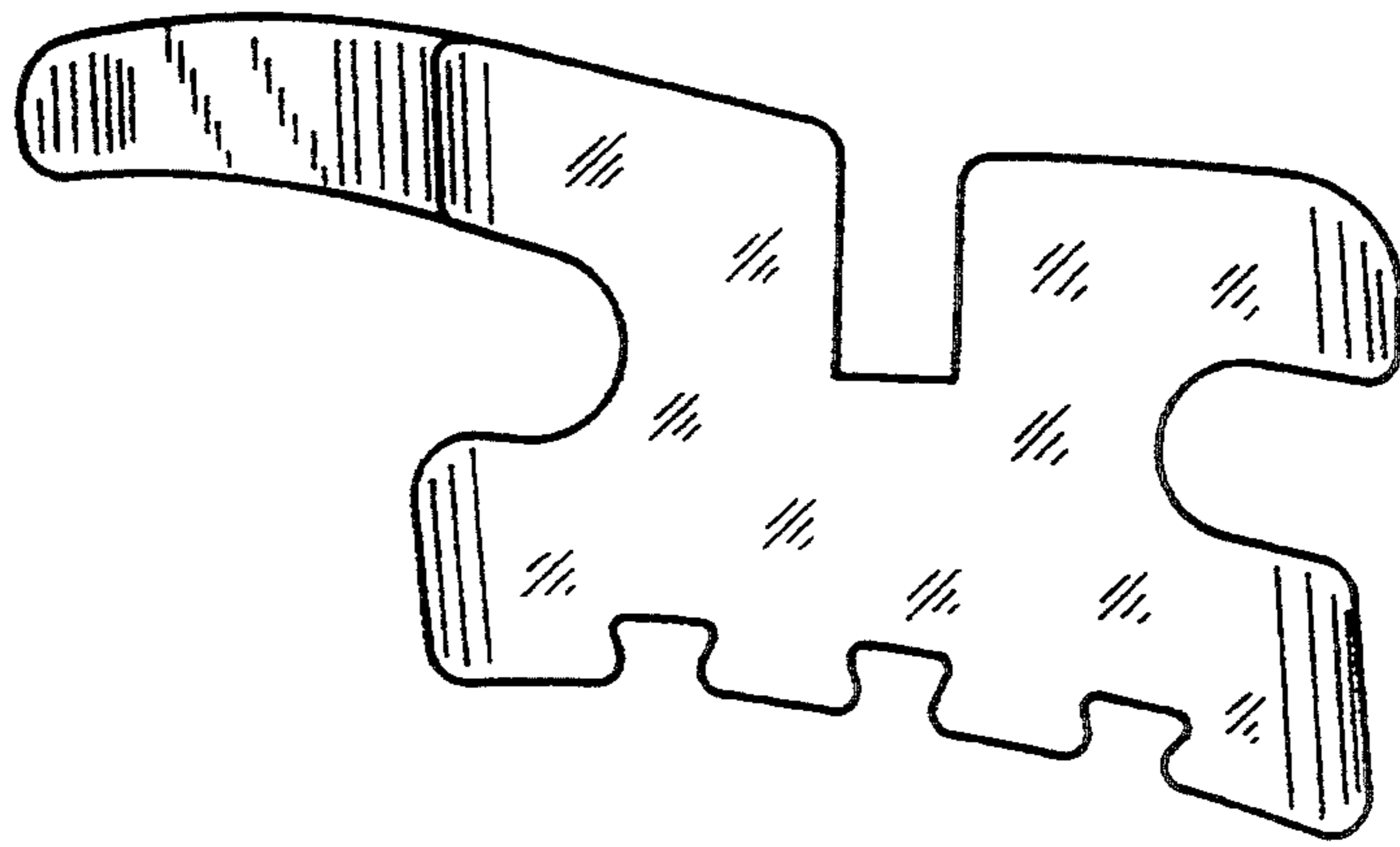


FIG. 4

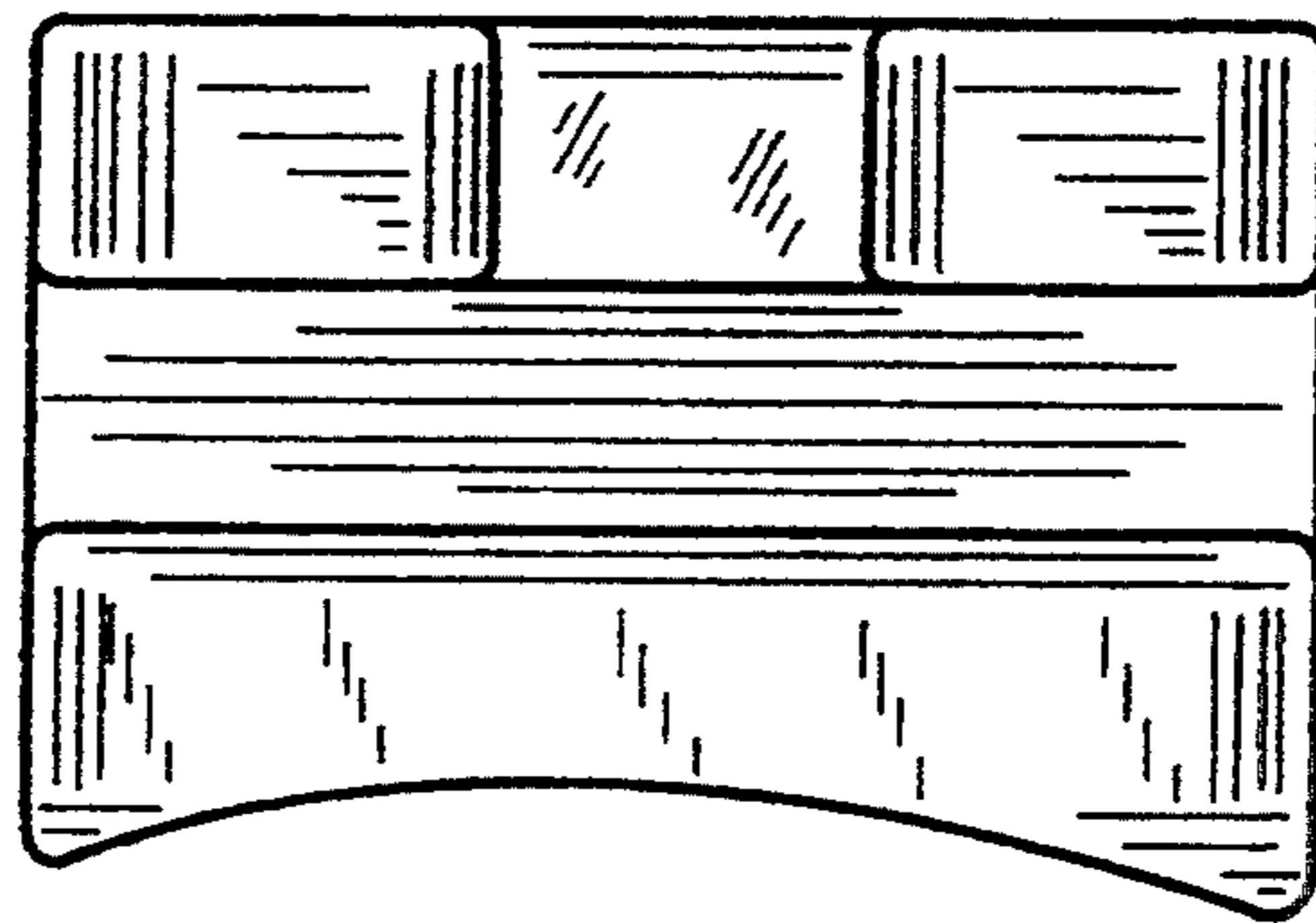


FIG. 5

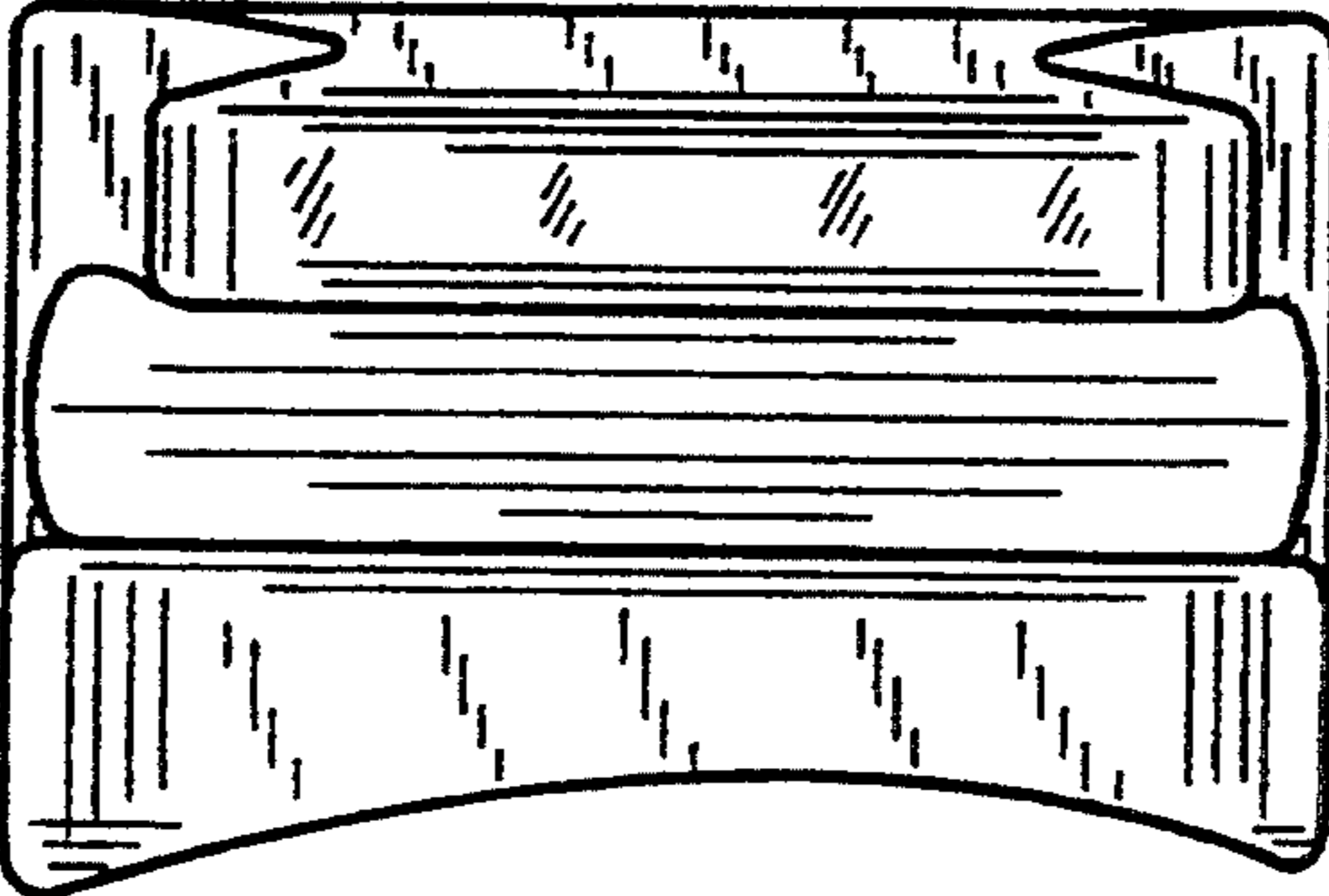


FIG. 6

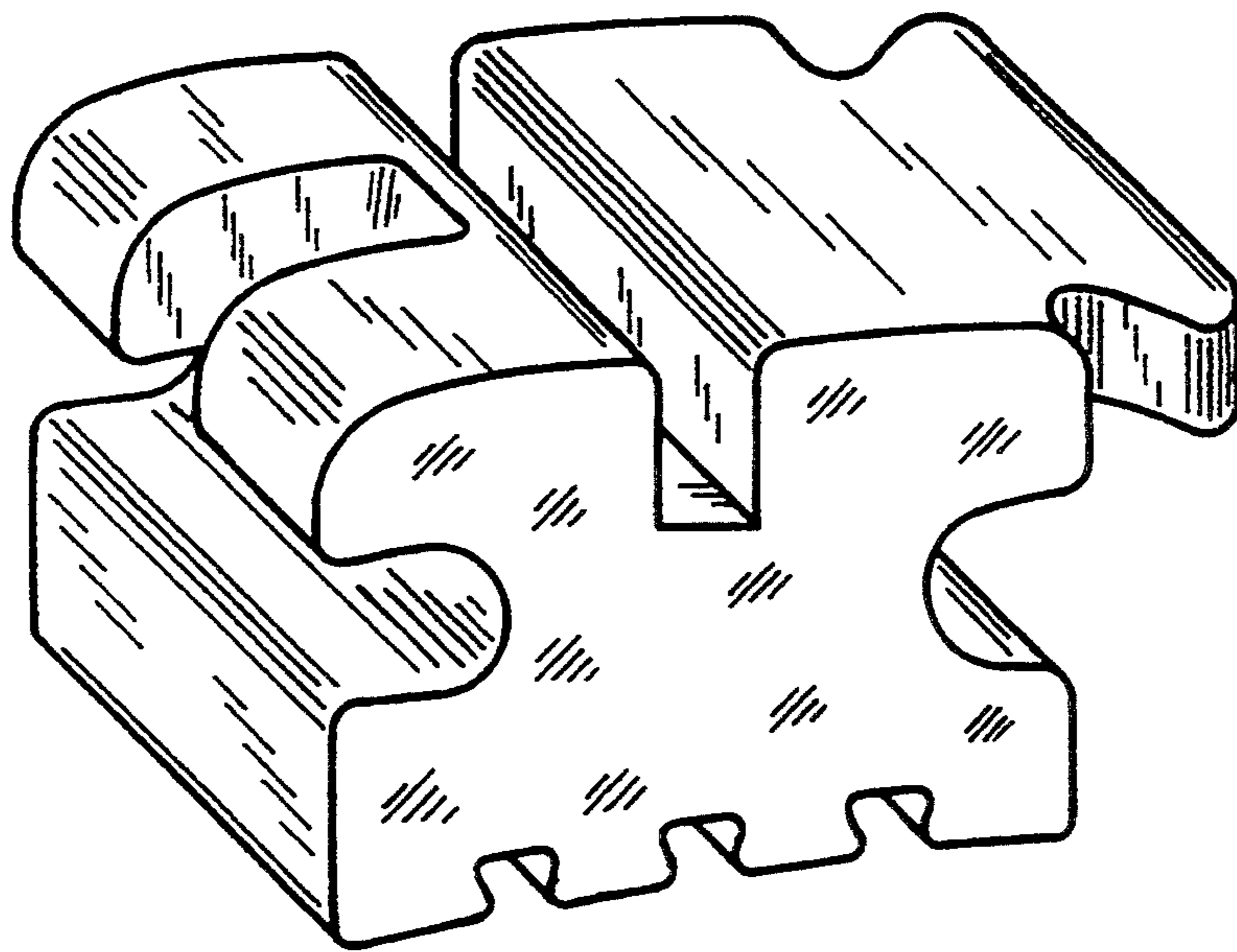


FIG. 7