



US00D358649S

United States Patent [19]

[11] Patent Number: Des. 358,649

Moschik

[45] Date of Patent: ** May 23, 1995

[54] ORTHODONTIC DEVICE WITH A CERAMIC TOOTH ATTACHMENT

[75] Inventor: Erich Moschik, St. Veit/Glan, Austria

[73] Assignee: Hirsch Advanced Ceramics Gesellschaft m.b.H., Klagenfurt, Germany

[**] Term: 14 Years

[21] Appl. No.: 15,219

[22] Filed: Nov. 10, 1993

[30] Foreign Application Priority Data

May 14, 1993 [AT]	Austria	MU1431/93
[52] U.S. Cl.		D24/180
[58] Field of Search	D24/180; 433/8, 9, 10,	433/13, 16

[56] References Cited

U.S. PATENT DOCUMENTS

D. 289,329	4/1987	Evans	D24/180
D. 290,040	5/1987	Kelly	D24/180
D. 315,957	4/1991	Kelly et al.	D24/180
4,838,786	6/1989	Reher et al.	433/9
5,358,402	10/1994	Reed et al.	433/8

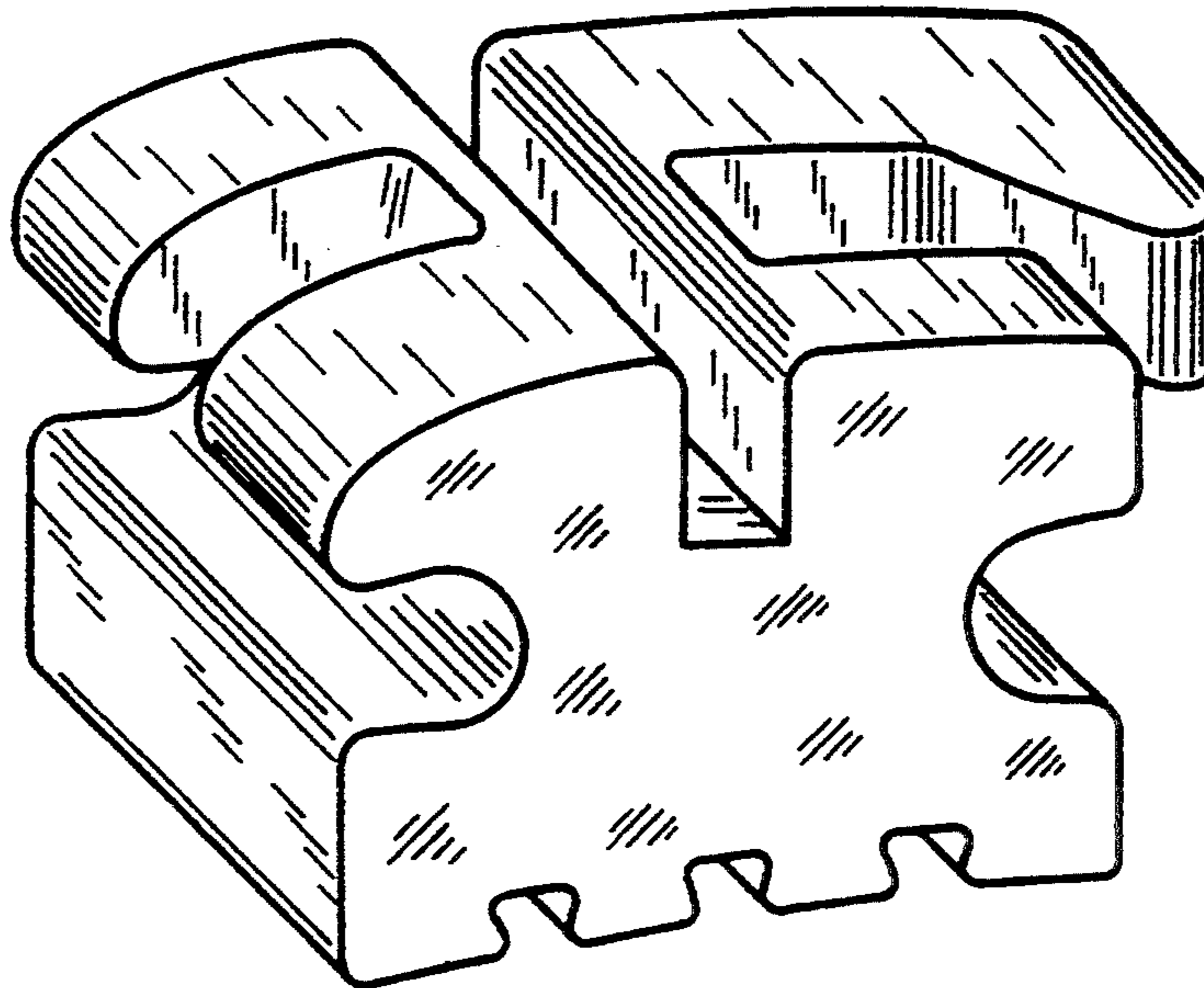
Primary Examiner—Kay H. Chin
Attorney, Agent, or Firm—Collard & Roe

[57] CLAIM

The ornamental design for an orthodontic device with a ceramic tooth attachment, as shown and described.

DESCRIPTION

FIG. 1 is a top view of the orthodontic device with a ceramic tooth attachment;
 FIG. 2 is a bottom view thereof;
 FIG. 3 is a front view thereof;
 FIG. 4 is a back side view thereof;
 FIG. 5 is a left side view thereof;
 FIG. 6 is a right side view thereof; and,
 FIG. 7 is a perspective view thereof.



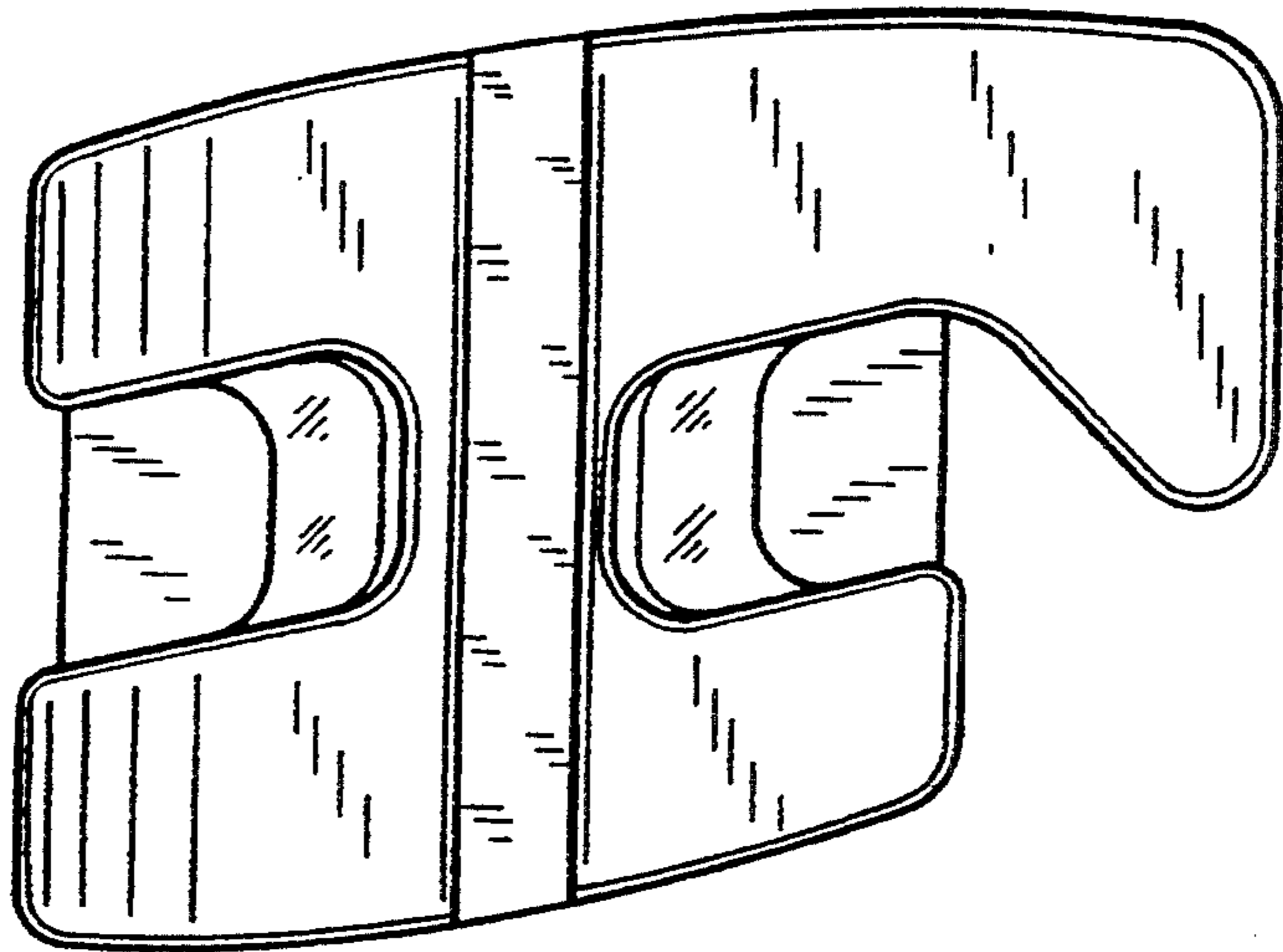


FIG. 1

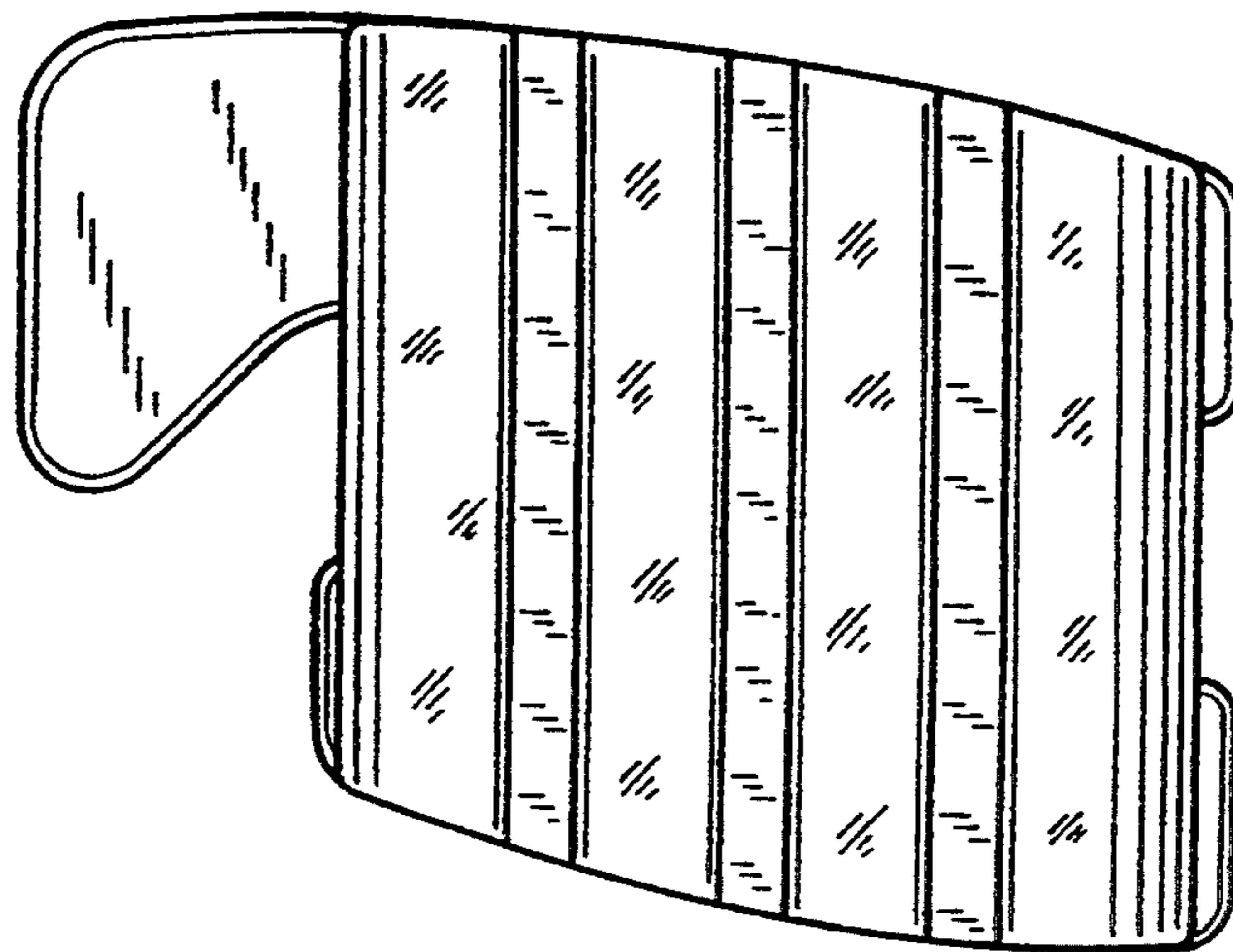


FIG. 2

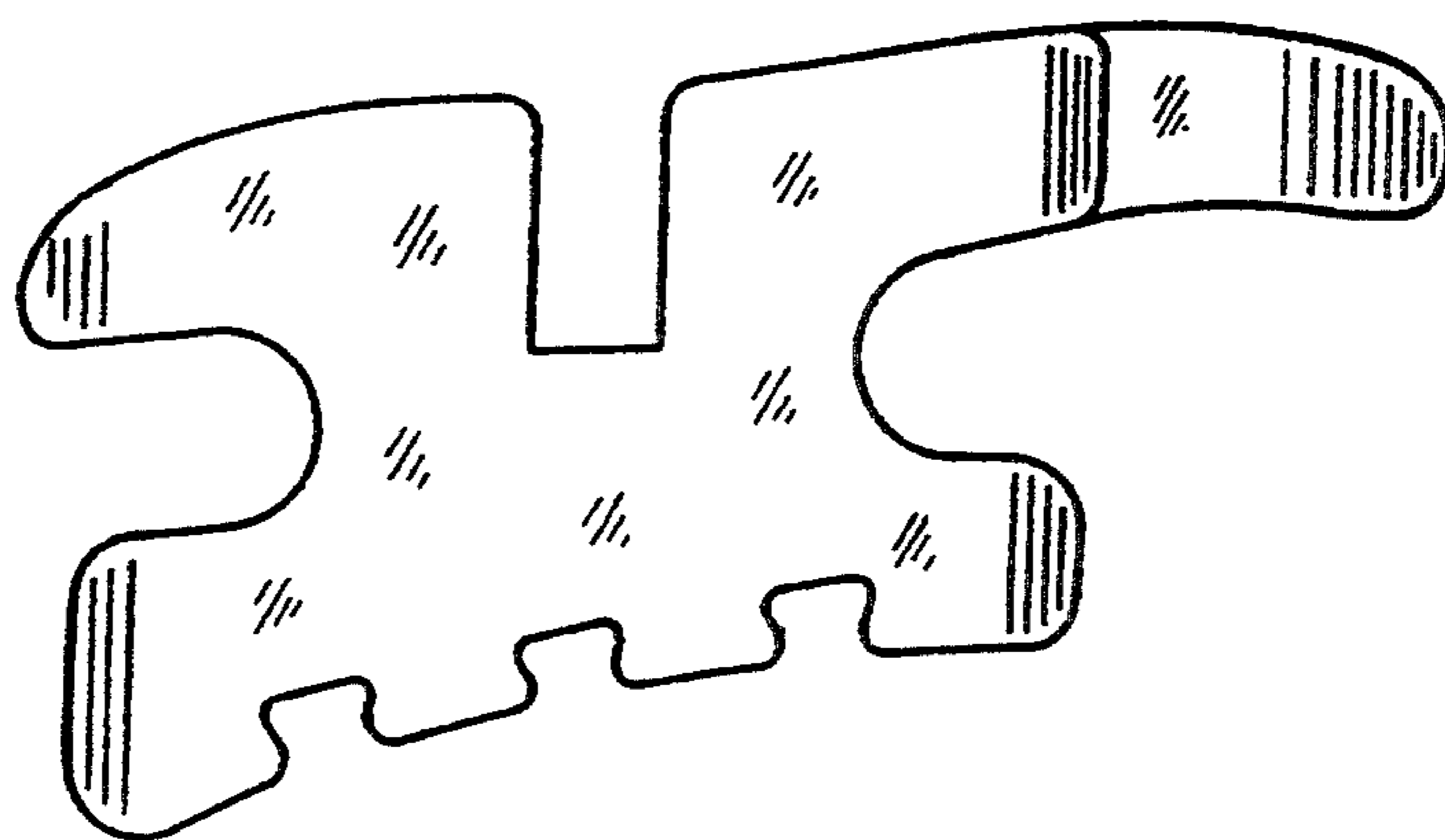


FIG. 3

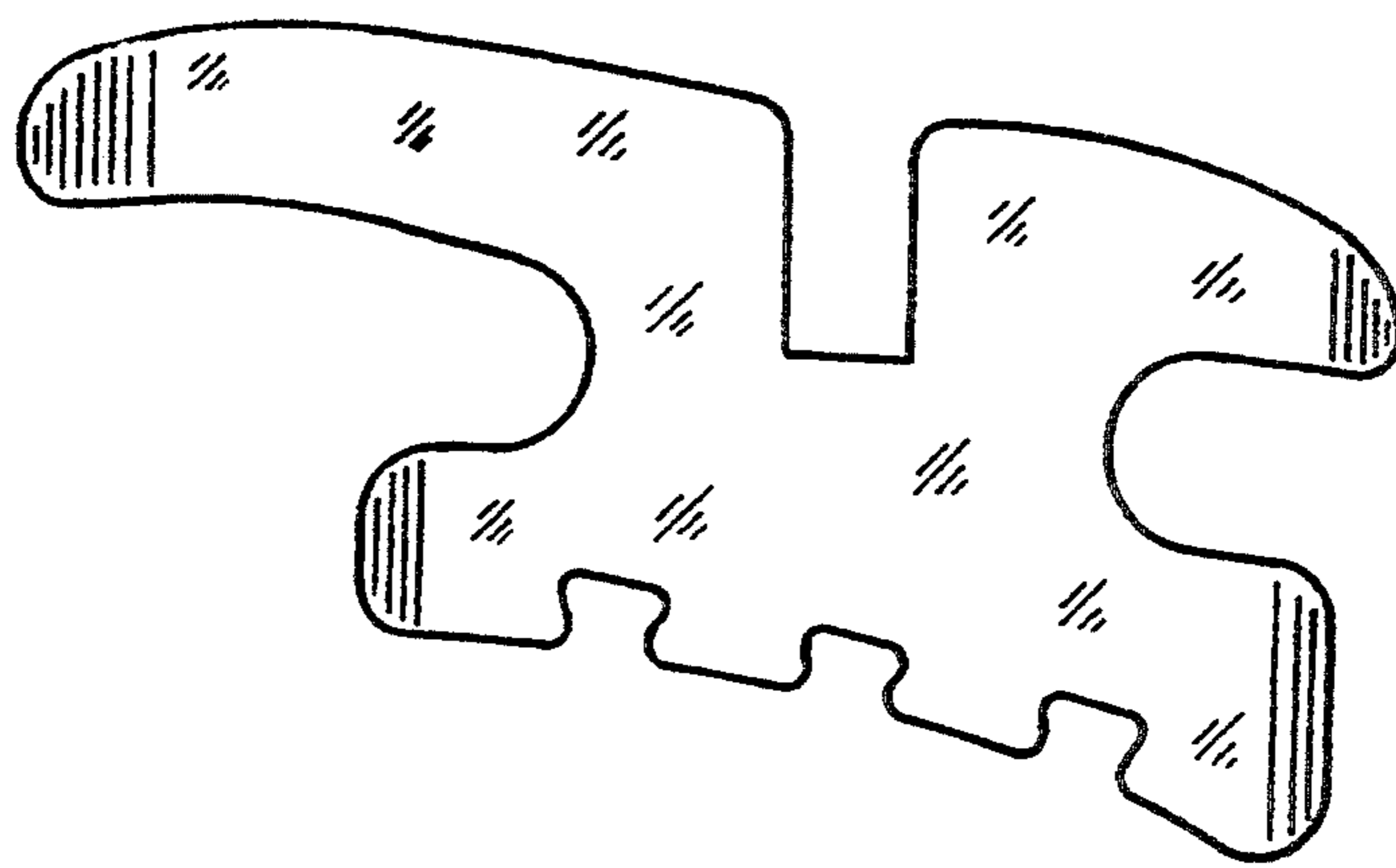


FIG. 4

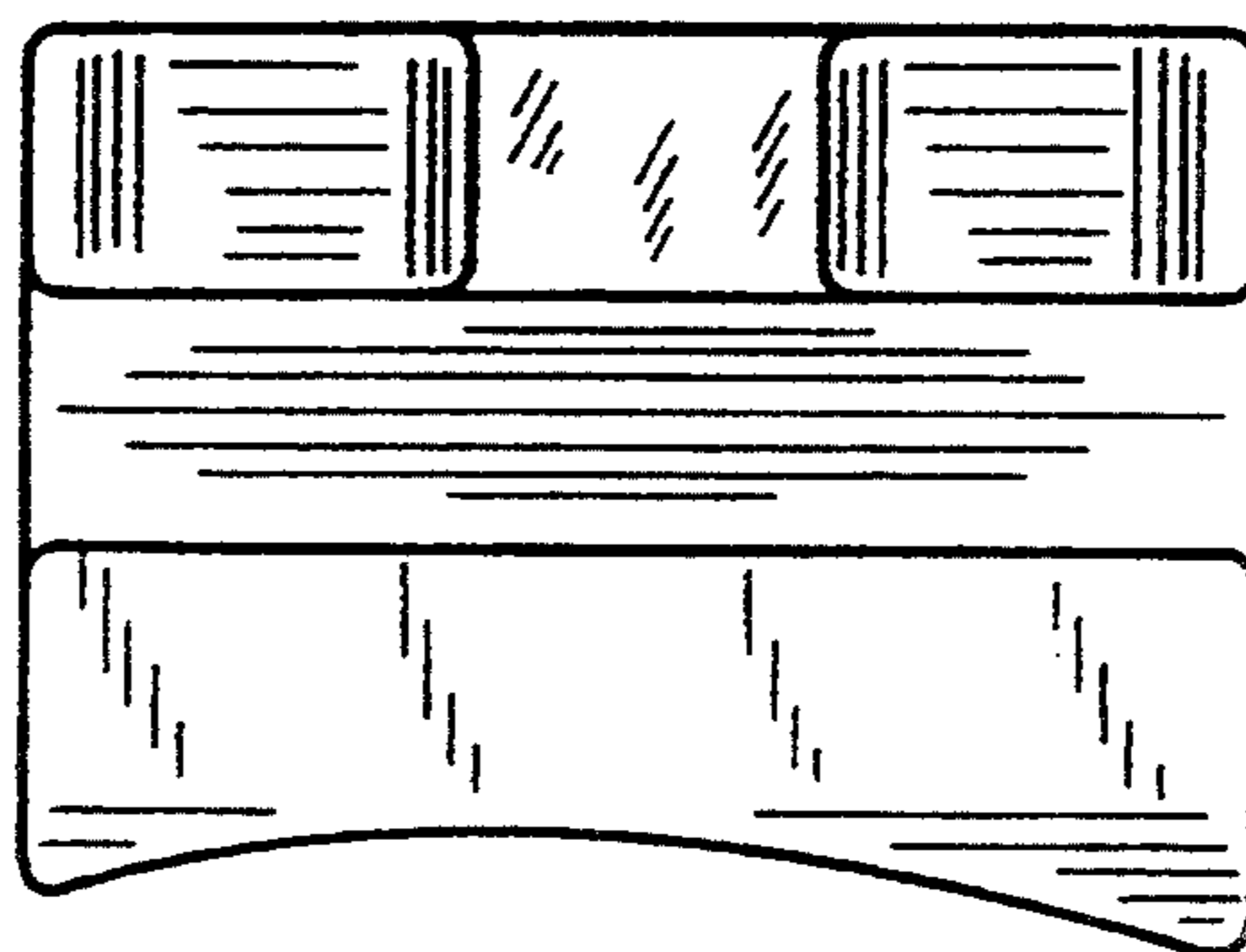


FIG. 5

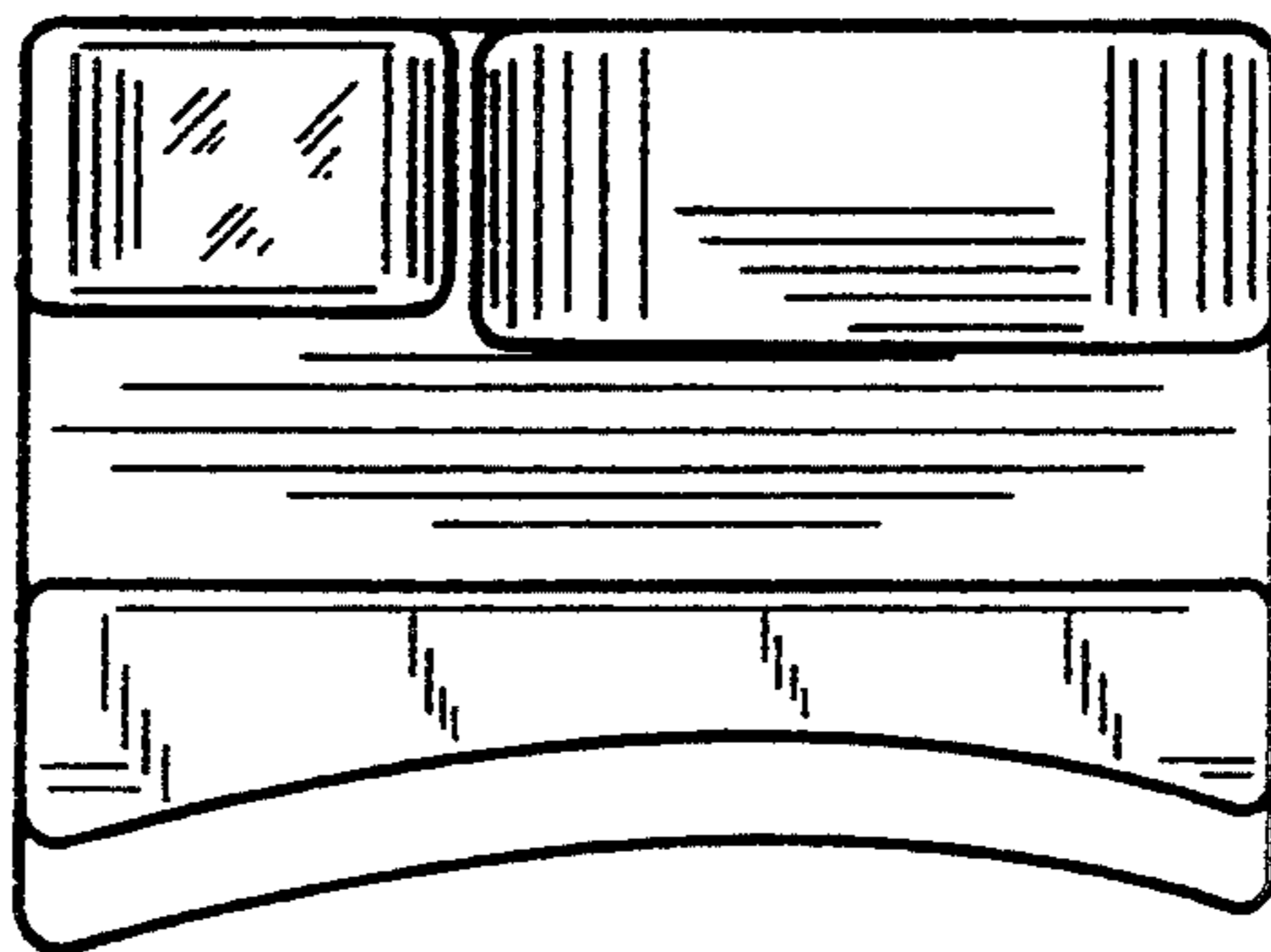


FIG. 6

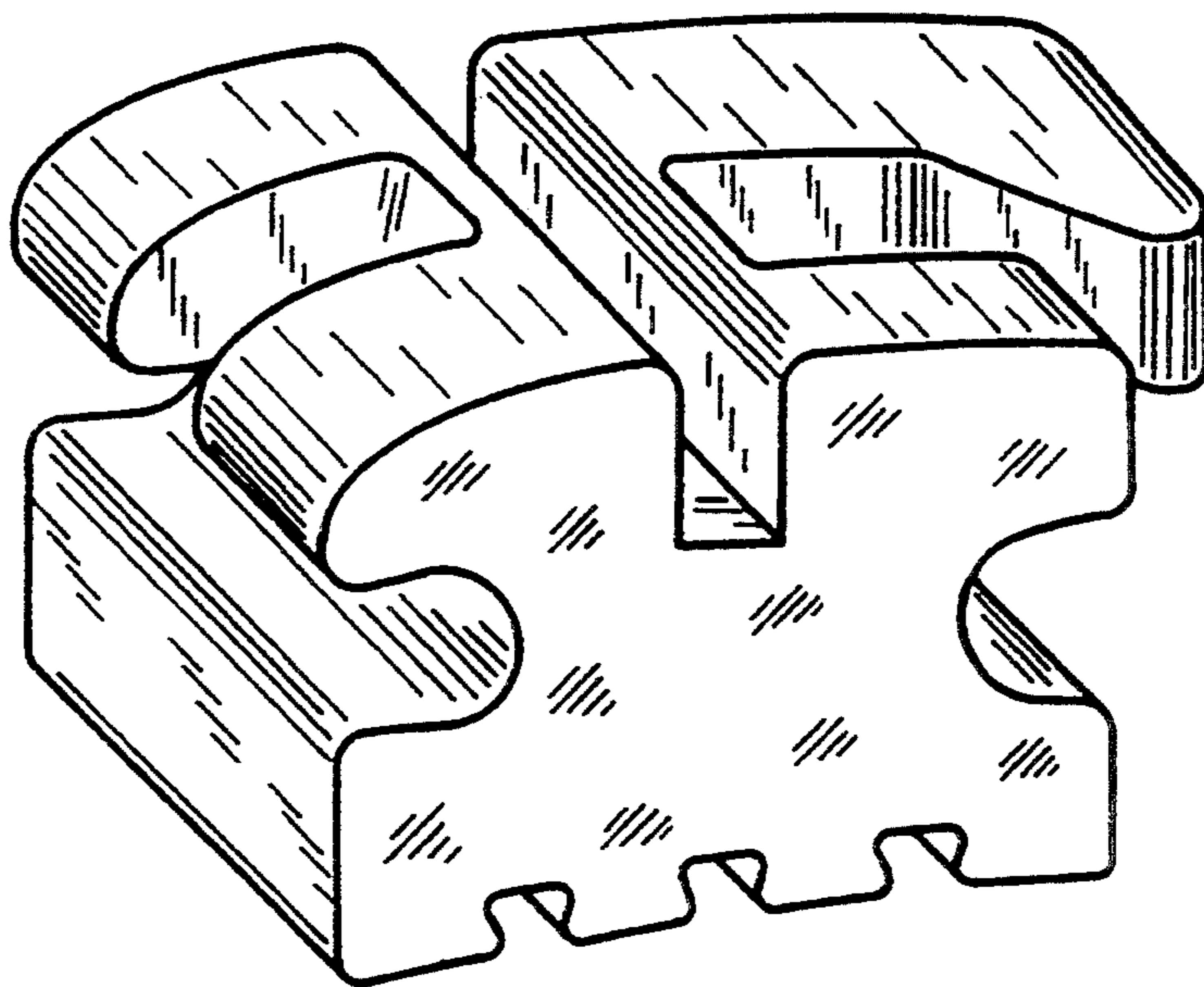


FIG. 7