



US00D358647S

United States Patent [19]

[11] Patent Number: **Des. 358,647**

Cohen et al.

[45] Date of Patent: **** May 23, 1995**

[54] **TIBIAL COMPONENT FOR PROSTHETIC KNEE IMPLANT**

4,938,769	7/1990	Shaw .	
4,944,756	7/1990	Kenna .	
4,944,757	7/1990	Martinez et al. .	
4,950,298	8/1990	Gustilo et al. .	
4,963,152	10/1990	Hofmann et al.	623/18
5,071,438	12/1991	Jones et al.	623/18 X
5,137,536	8/1992	Koshino	623/18 X
5,152,797	10/1992	Luckman et al.	623/18 X

[75] Inventors: **Robert C. Cohen**, Rockaway Township, Morris County; **Robert G. Averill**, Ringwood; **Scott V. Cron**, Rahway, all of N.J.

[73] Assignee: **Osteonics Corp.**, Allendale, N.J.

[**] Term: **14 Years**

[21] Appl. No.: **853,930**

[22] Filed: **Feb. 12, 1992**

[52] U.S. Cl. **D24/155**

[58] Field of Search D24/155; 623/18, 20, 623/21

FOREIGN PATENT DOCUMENTS

3334531 9/1983 Germany .

Primary Examiner—Stella Reid
Attorney, Agent, or Firm—Samuelson & Jacob

[57] CLAIM

The ornamental design for a tibial component for prosthetic knee implant, as shown and described.

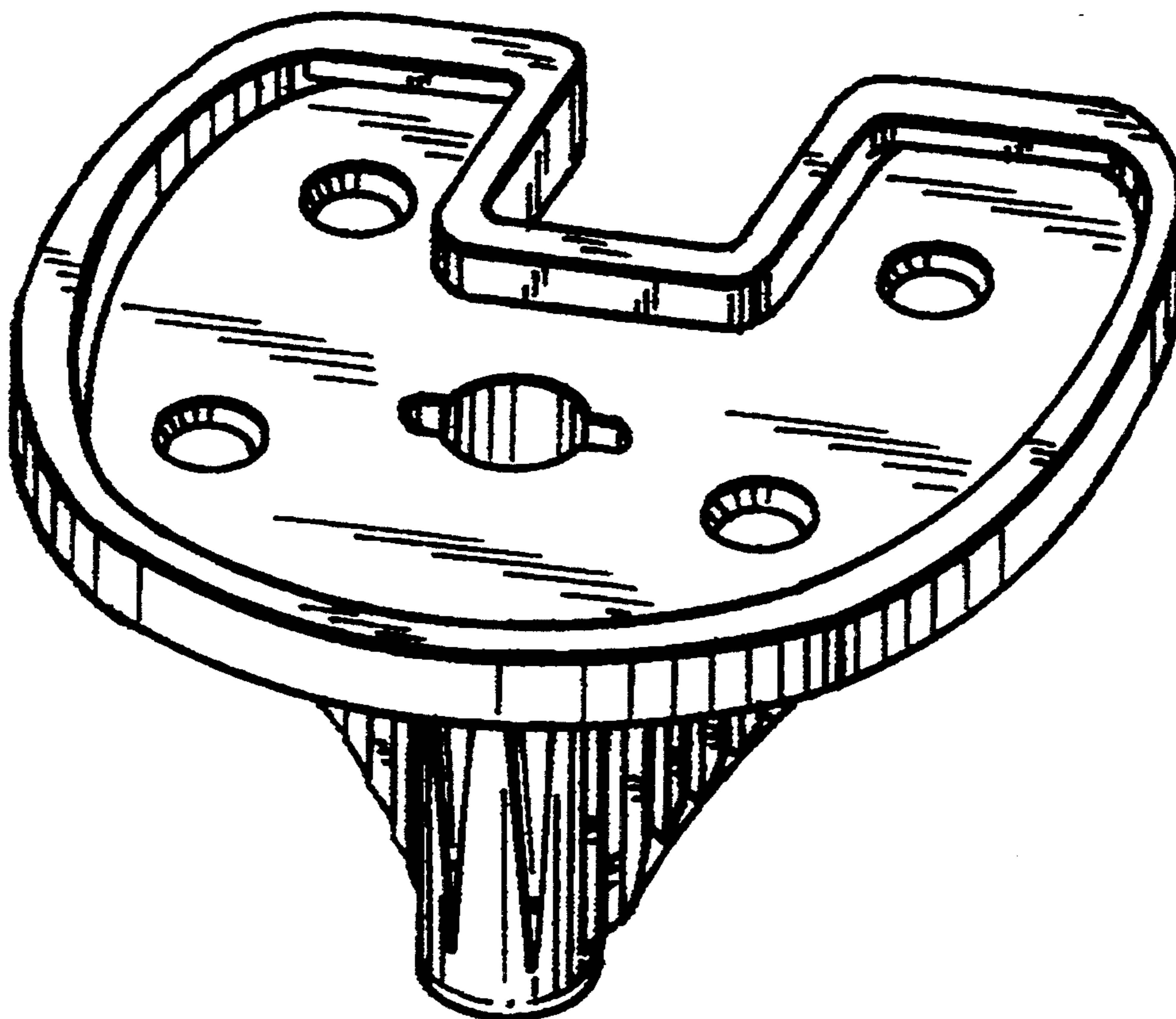
[56] References Cited

U.S. PATENT DOCUMENTS

D. 326,156	5/1992	Martinez	D24/155
3,869,729	3/1975	Attenborough .	
4,216,549	8/1980	Hillberry et al. .	
4,714,474	12/1987	Brooks, Jr. et al. .	
4,759,767	7/1988	Lacey .	
4,822,362	4/1989	Walker et al. .	
4,895,571	1/1990	Grundei .	

DESCRIPTION

FIG. 1 is a top perspective view of a tibial component for prosthetic knee implant embodying our new design; FIG. 2 is a top plan view thereof; FIG. 3 is a front elevational view thereof; FIG. 4 is a rear elevational view thereof; FIG. 5 is a side elevational view of one side thereof, the other side being a mirror image thereof; and, FIG. 6 is a bottom plan view thereof.



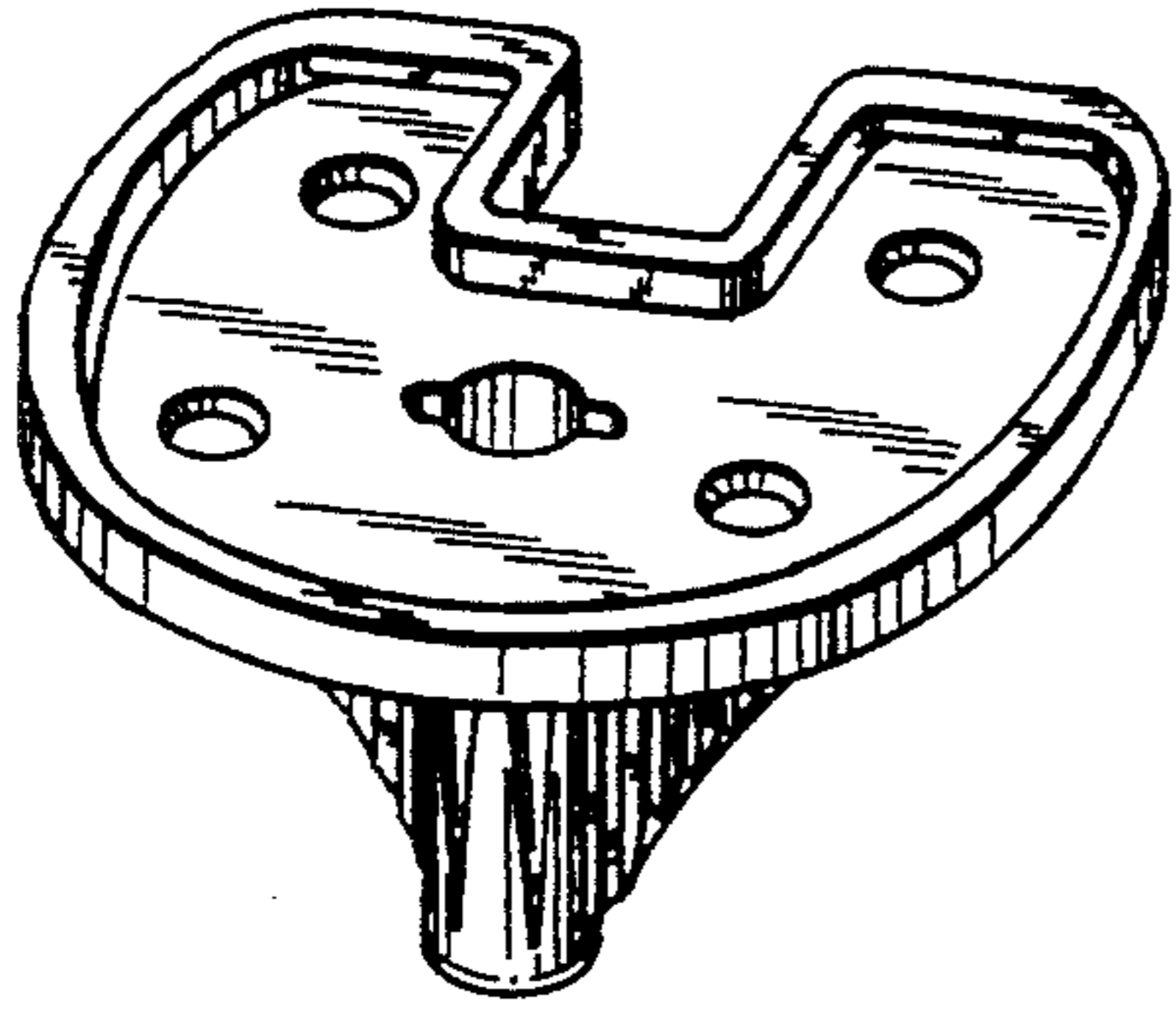


FIG. 1

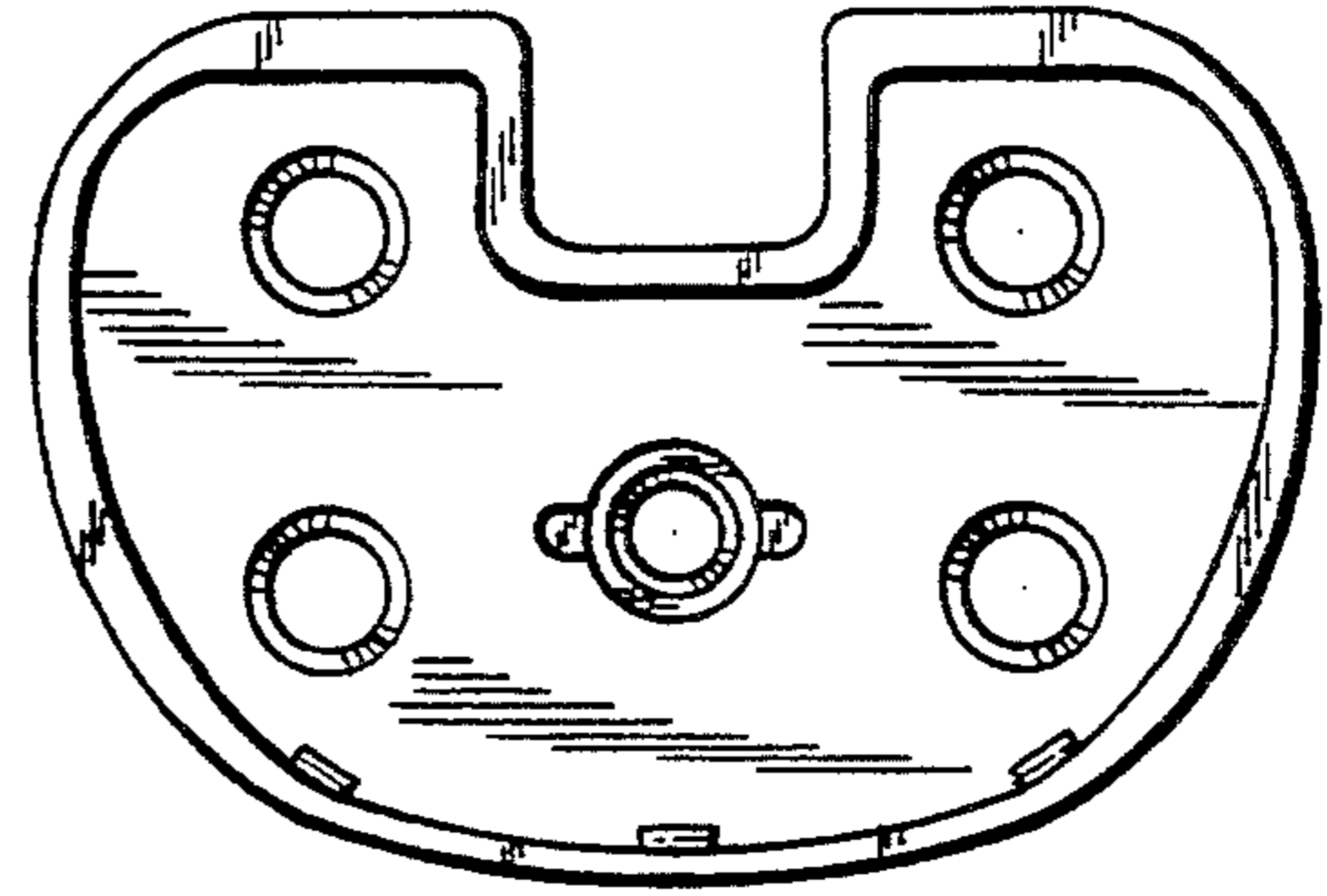


FIG. 2

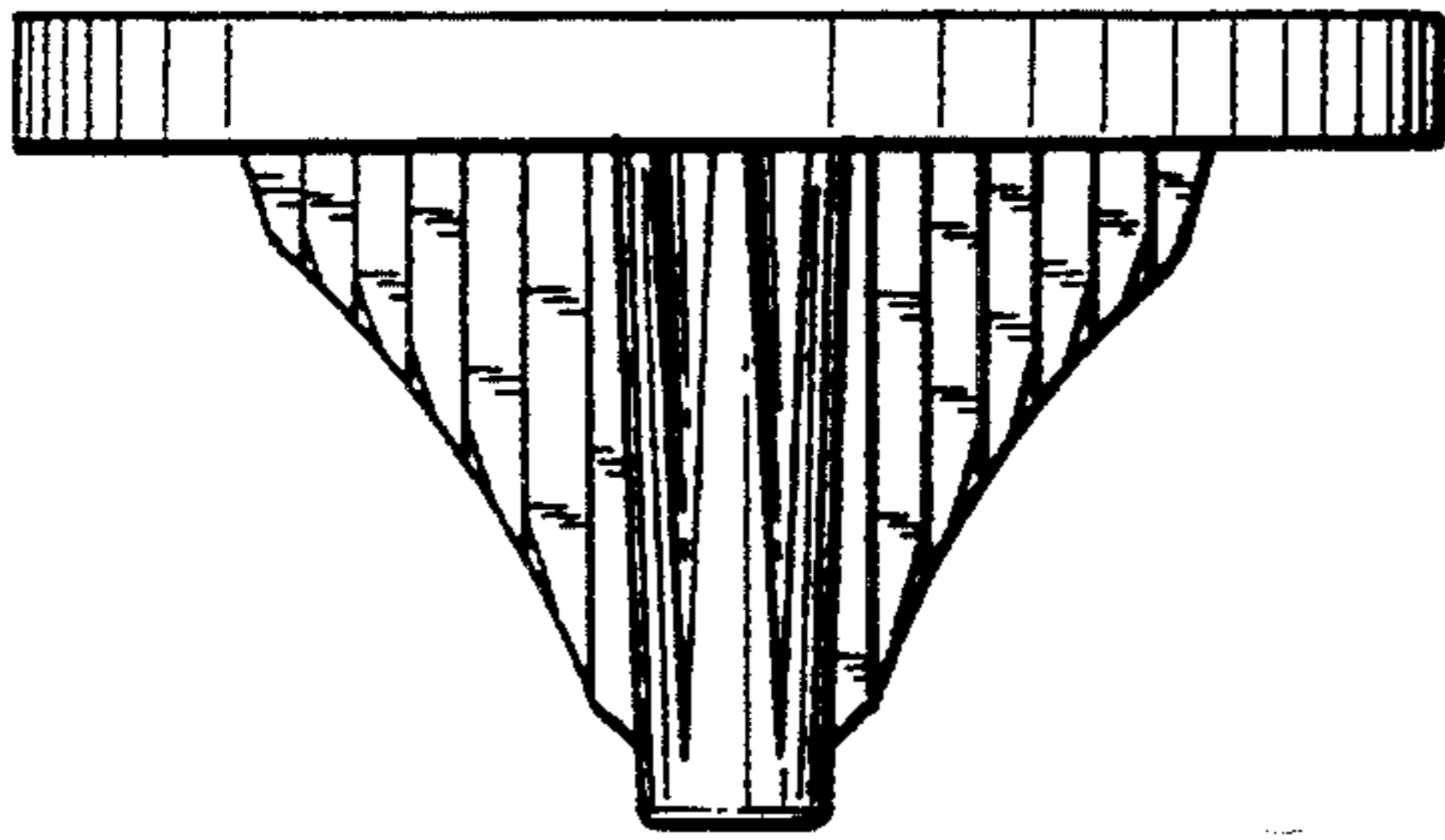


FIG. 3

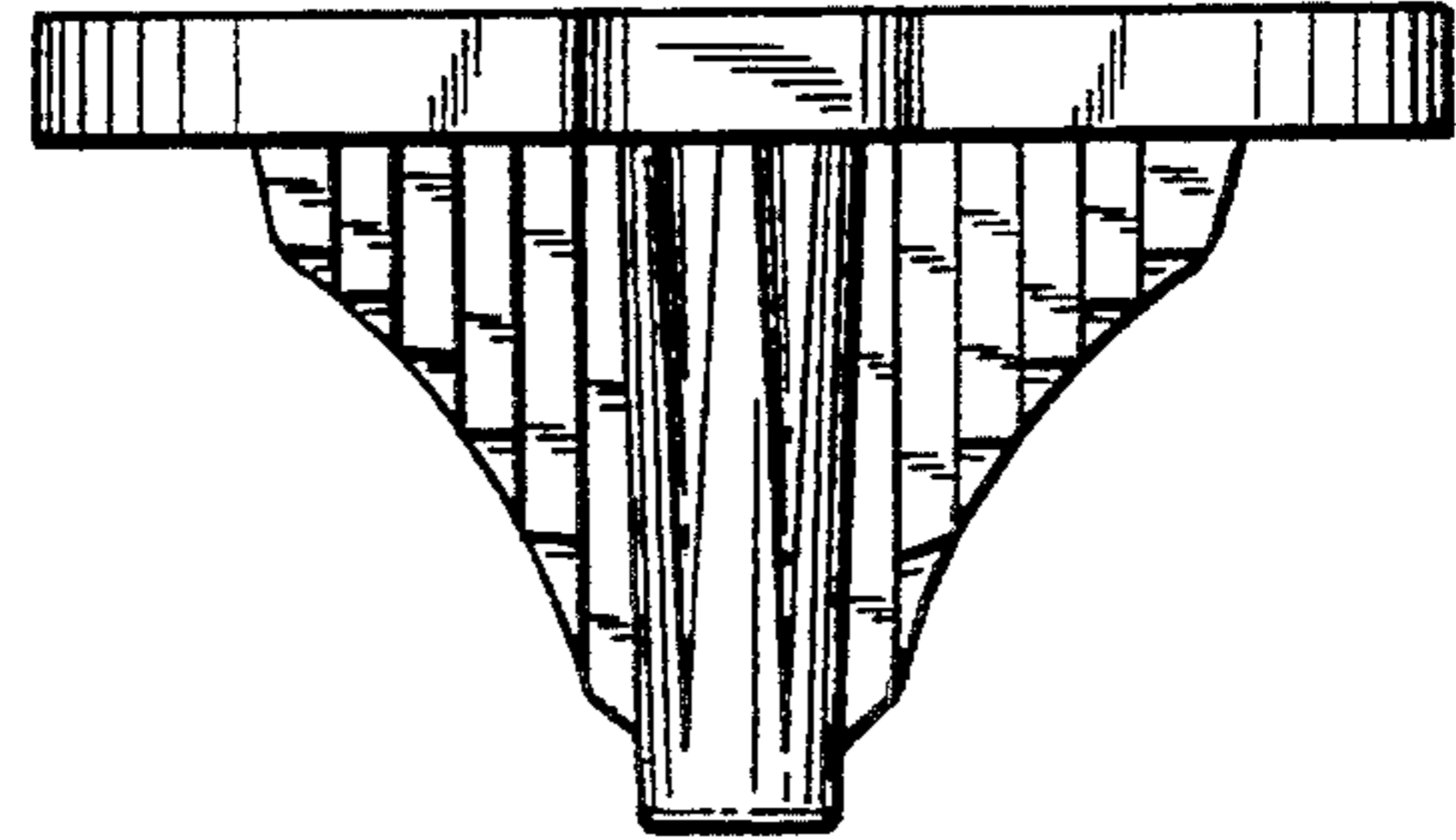


FIG. 4

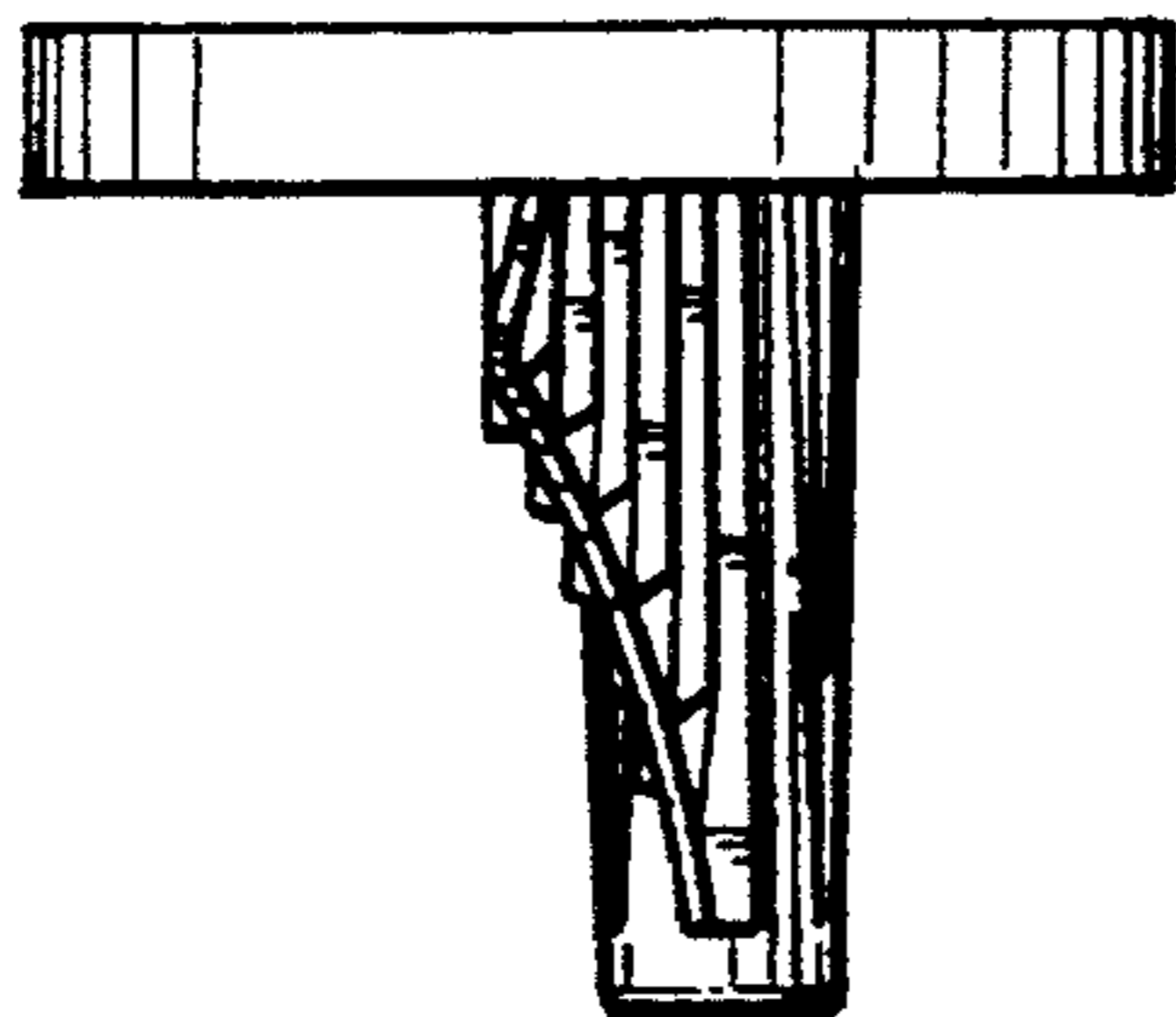


FIG. 5

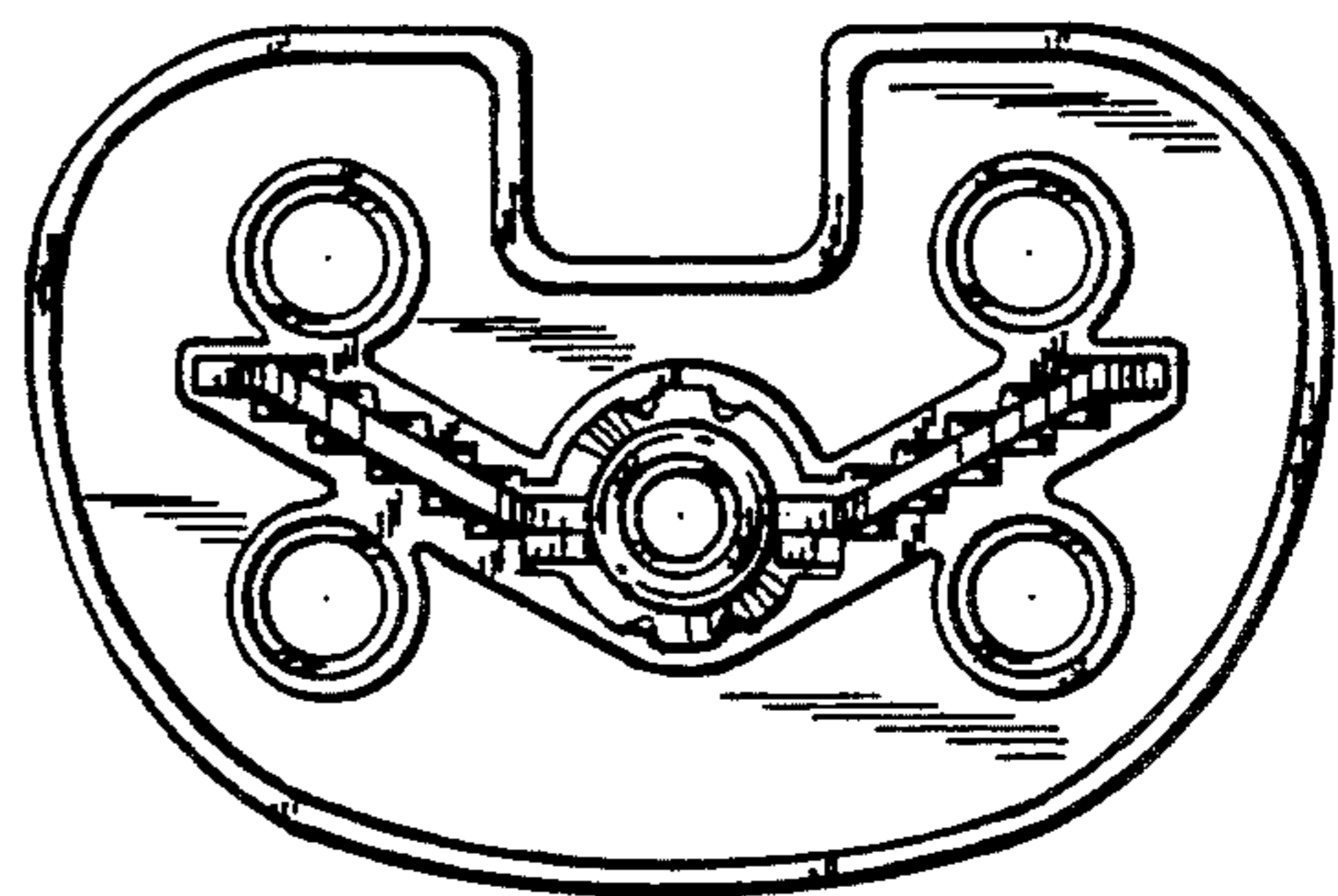


FIG. 6