



US00D358646S

United States Patent [19]

[11] Patent Number: **Des. 358,646**

Weber

[45] Date of Patent: **** May 23, 1995**

[54] **EAR WAX REMOVAL TOOL**

3,626,946 12/1971 Messey 606/162
3,672,378 6/1972 Silverman D28/64 X

[76] Inventor: **Daniel L. Weber**, 560 Harbor Cove Cir., Longboat Key, Fla. 34228

Primary Examiner—Stella Reid
Attorney, Agent, or Firm—James E. Larson

[**] Term: **14 Years**

[57] **CLAIM**

[21] Appl. No.: **15,183**

The ornamental design for an ear wax removal tool, as shown and described.

[22] Filed: **Nov. 10, 1993**

[52] U.S. Cl. **D24/149; D4/118; D4/135**

[58] Field of Search **D24/133, 141, 149; 606/162, 160; D4/116, 118, 129, 135; D28/64**

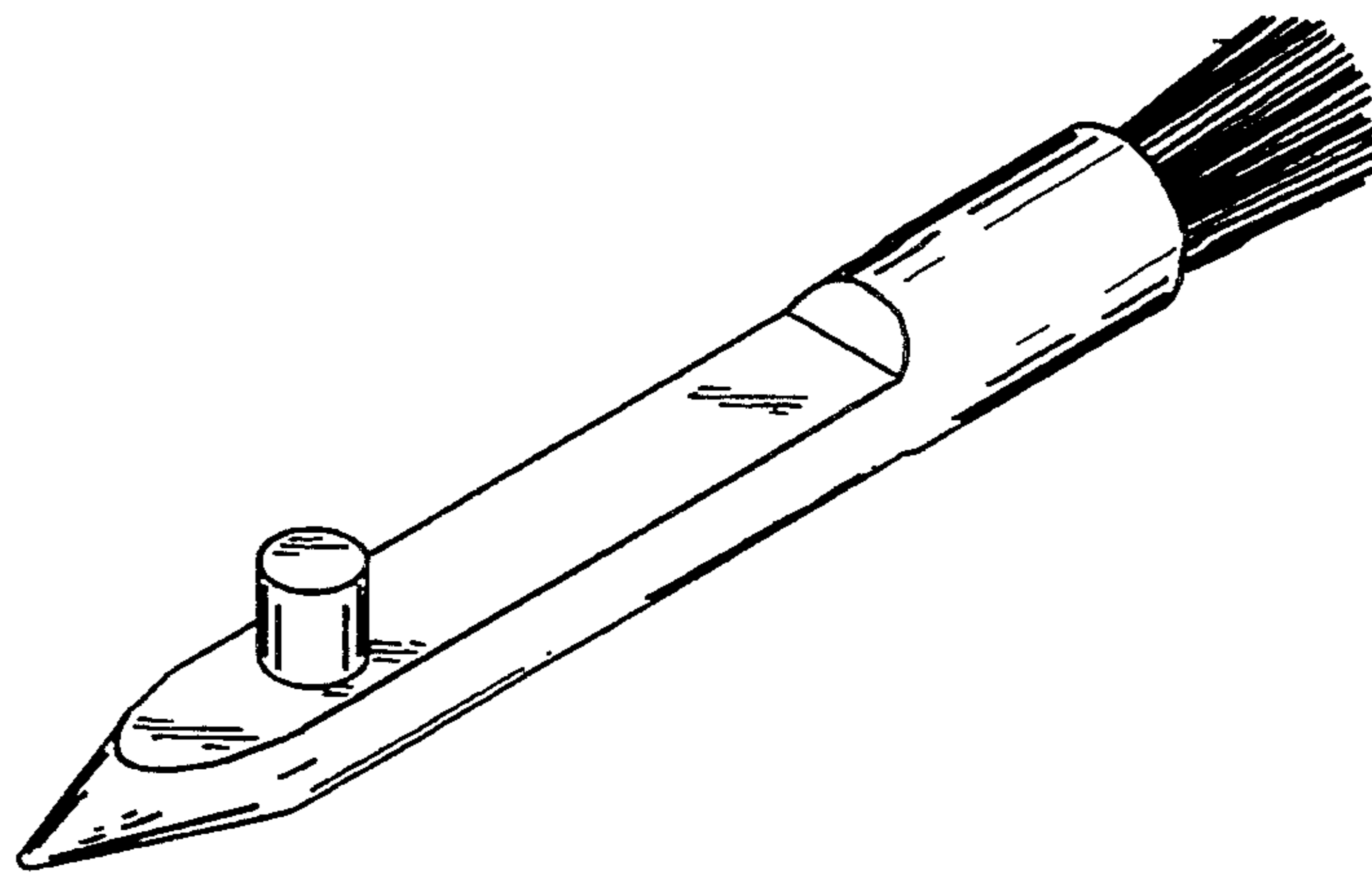
DESCRIPTION

[56] **References Cited**

U.S. PATENT DOCUMENTS

D. 263,075 2/1982 Doan D24/149
1,450,612 4/1923 Schultz 606/160 X

FIG. 1 is a perspective view of an ear wax removal tool showing my new design;
FIG. 2 is a top plan view thereof;
FIG. 3 is a bottom plan view thereof;
FIGS. 4 and 5 are respectively left and right side elevational views thereof; and,
FIGS. 6 and 7 are respectively front and back elevational views thereof.



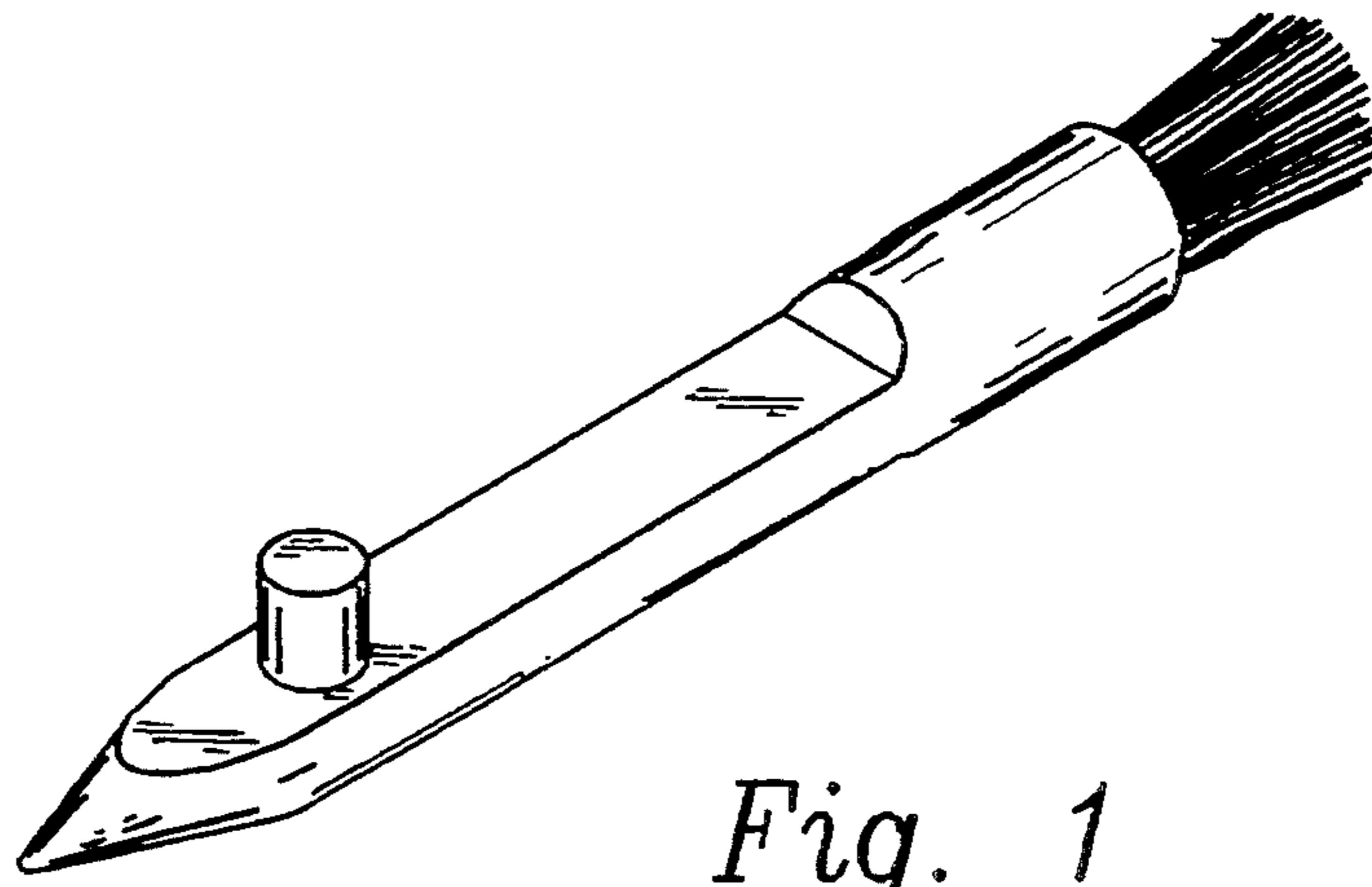


Fig. 1



Fig. 2



Fig. 6

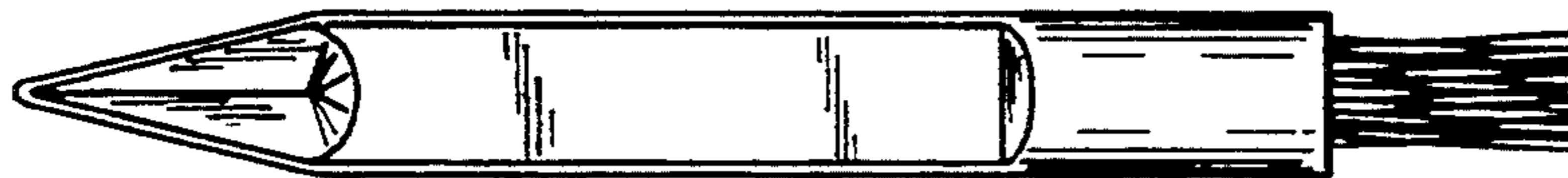


Fig. 3



Fig. 7

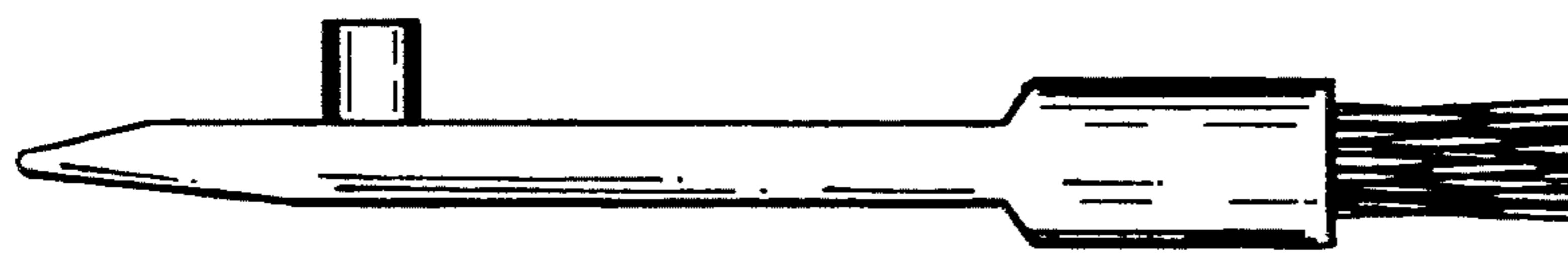


Fig. 4

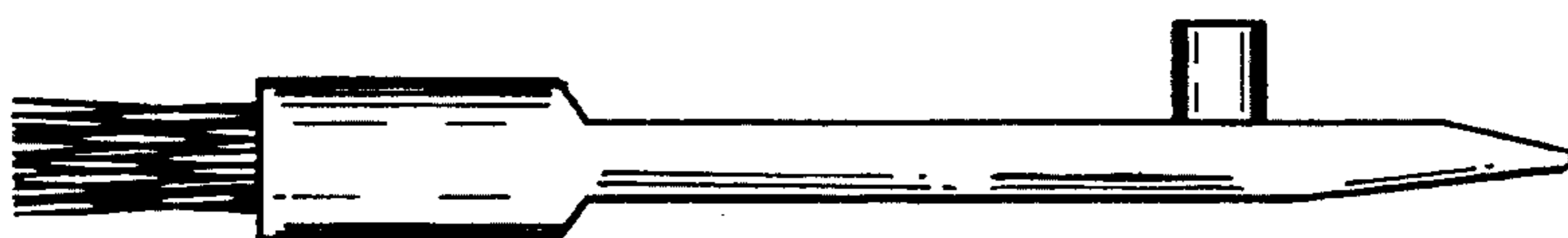


Fig. 5