



US00D358644S

United States Patent [19]
Park

[11] **Patent Number: Des. 358,644**
[45] **Date of Patent: ** May 23, 1995**

[54] **TRANSPONDER IMPLANTER**
[75] **Inventor: Chinsoo Park**, Rutherford, N.J.
[73] **Assignee: Bio Medic Data Systems, Inc.**,
Maywood, N.J.
[**] **Term: 14 Years**
[21] **Appl. No.: 17,598**
[22] **Filed: Jan. 18, 1994**
[52] **U.S. Cl. D24/146**
[58] **Field of Search D24/146; 606/116, 117;**
128/631, 899; 604/164, 117, 62, 60, 64
[56] **References Cited**
U.S. PATENT DOCUMENTS
3,744,493 7/1973 Booher et al. 606/116

4,787,384 11/1988 Campbell et al. 606/60
5,250,026 10/1993 Ehrlich et al. 604/60

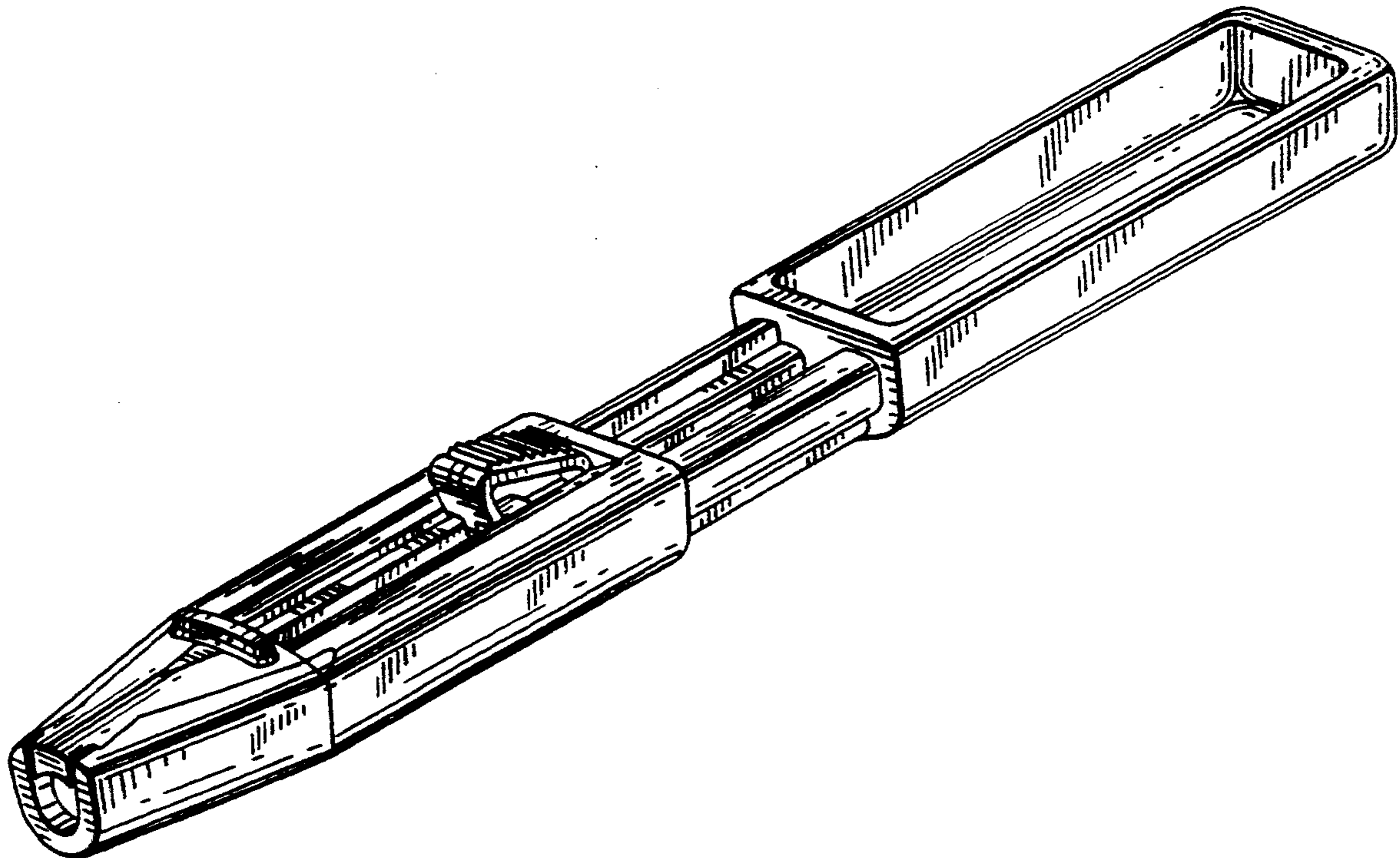
Primary Examiner—Stella Reid
Attorney, Agent, or Firm—Stroock & Stroock & Lavan

[57] **CLAIM**

The ornamental design for a transponder implanter, as shown and described.

DESCRIPTION

FIG. 1 is a perspective view showing my design;
FIG. 2 is a top plan view thereof;
FIG. 3 is a left side elevational view thereof, the right side elevational view being a mirror image thereof;
FIG. 4 is a front elevational view thereof;
FIG. 5 is a rear elevational view thereof; and,
FIG. 6 is a bottom plan view thereof.



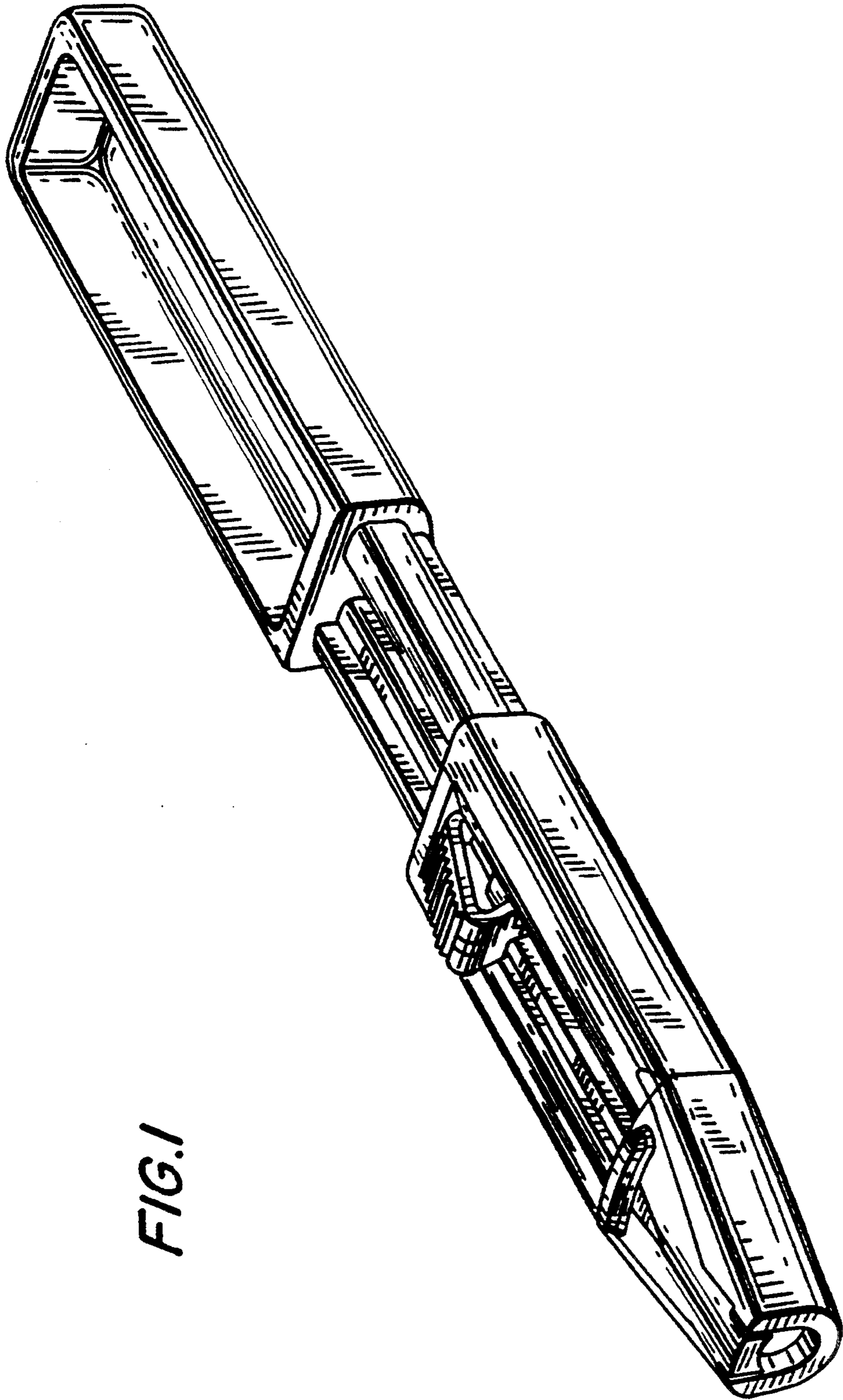


FIG. 1

FIG. 2

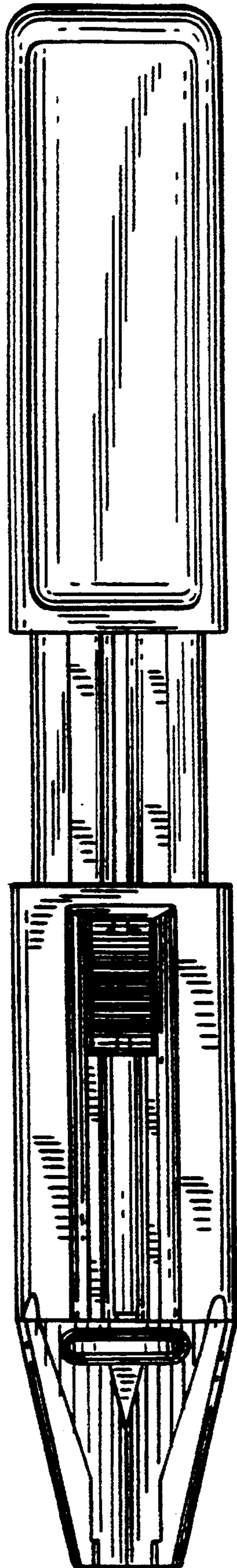


FIG. 3

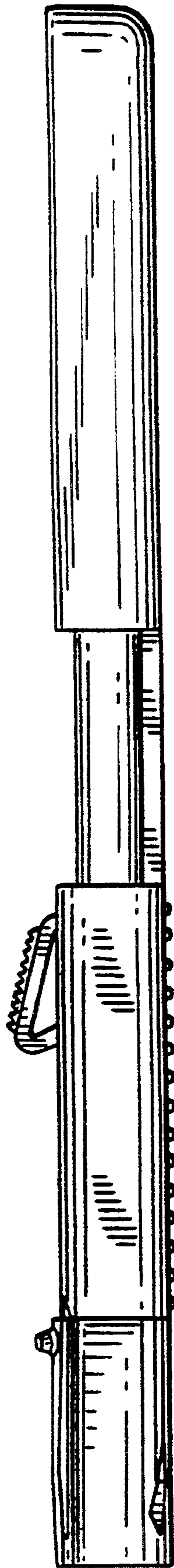


FIG. 4

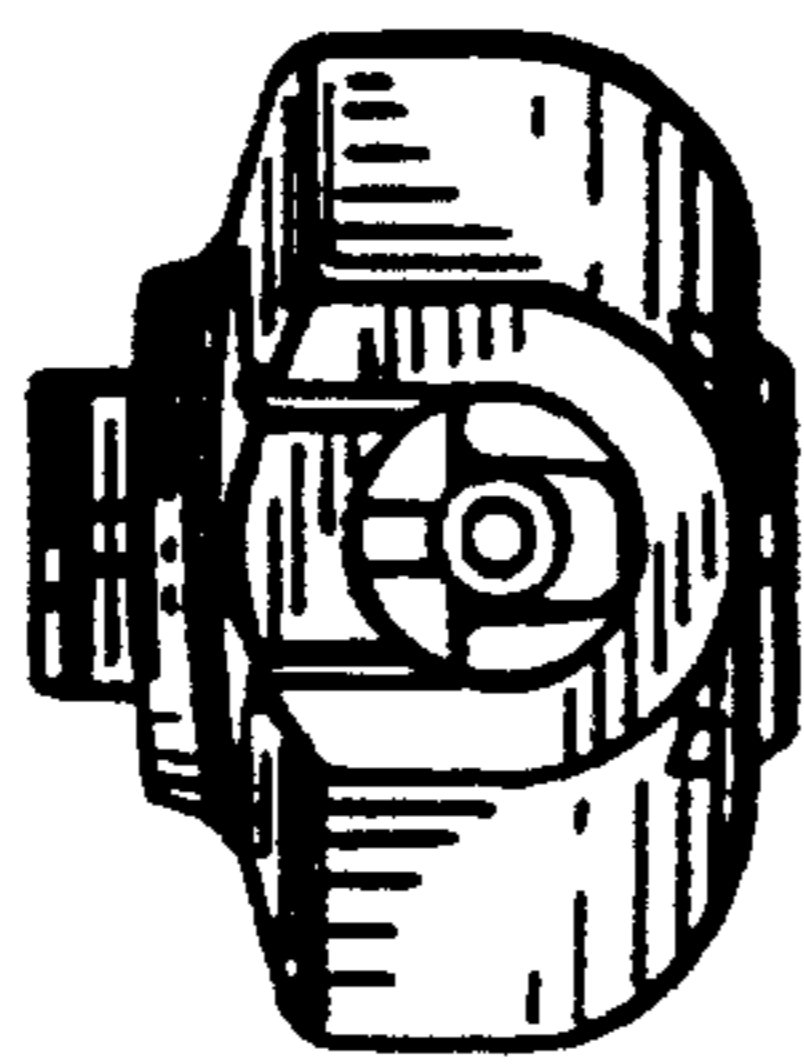


FIG. 5

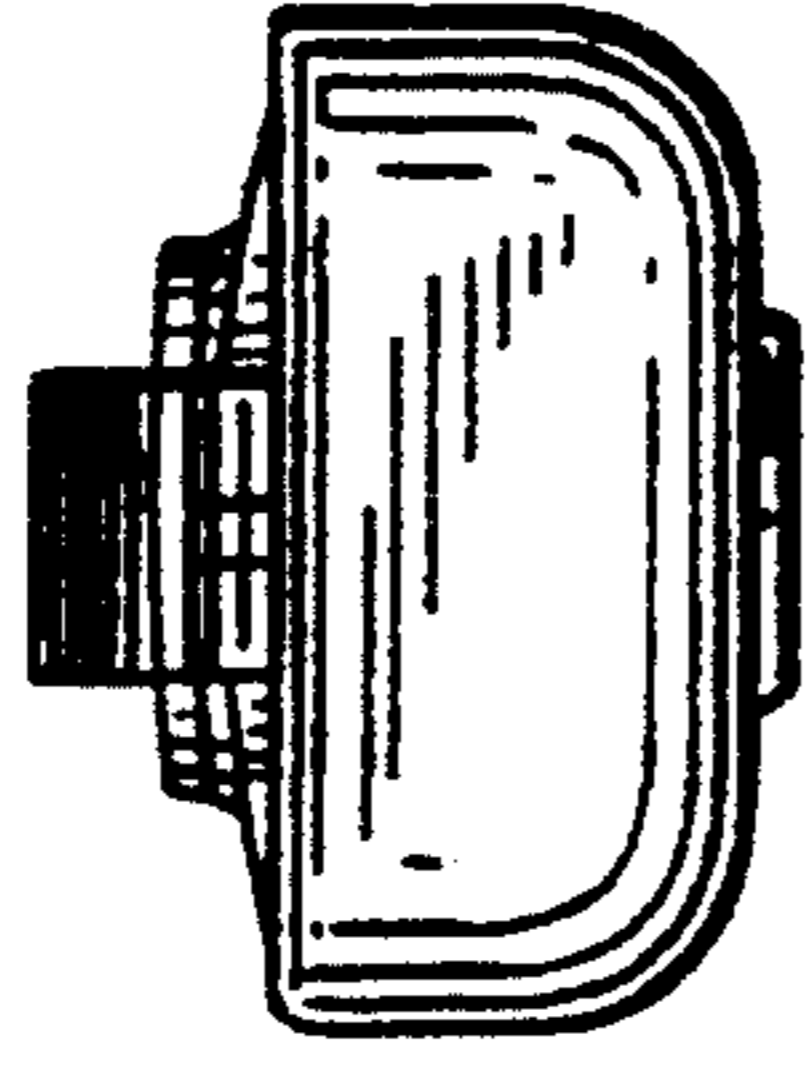


FIG. 6

