



US00D358641S

United States Patent [19]
Balazs

[11] **Patent Number: Des. 358,641**
[45] **Date of Patent: ** May 23, 1995**

[54] **SURGICAL ENDOSCOPE BASE**
[76] **Inventor: Zoltan Balazs, 1286 W. Newport Center Dr., Deerfield Beach, Fla. 33442**
[**] **Term: 14 Years**
[21] **Appl. No.: 17,759**
[22] **Filed: Jan. 21, 1994**
[52] **U.S. Cl. D24/138**
[58] **Field of Search D24/138, 137, 133; 128/4, 5, 6, 7, 8, 9**

4,974,580 12/1990 Anaplotis 128/4
5,167,220 12/1992 Brown 128/4

Primary Examiner—Stella Reid
Attorney, Agent, or Firm—Malloy & Malloy

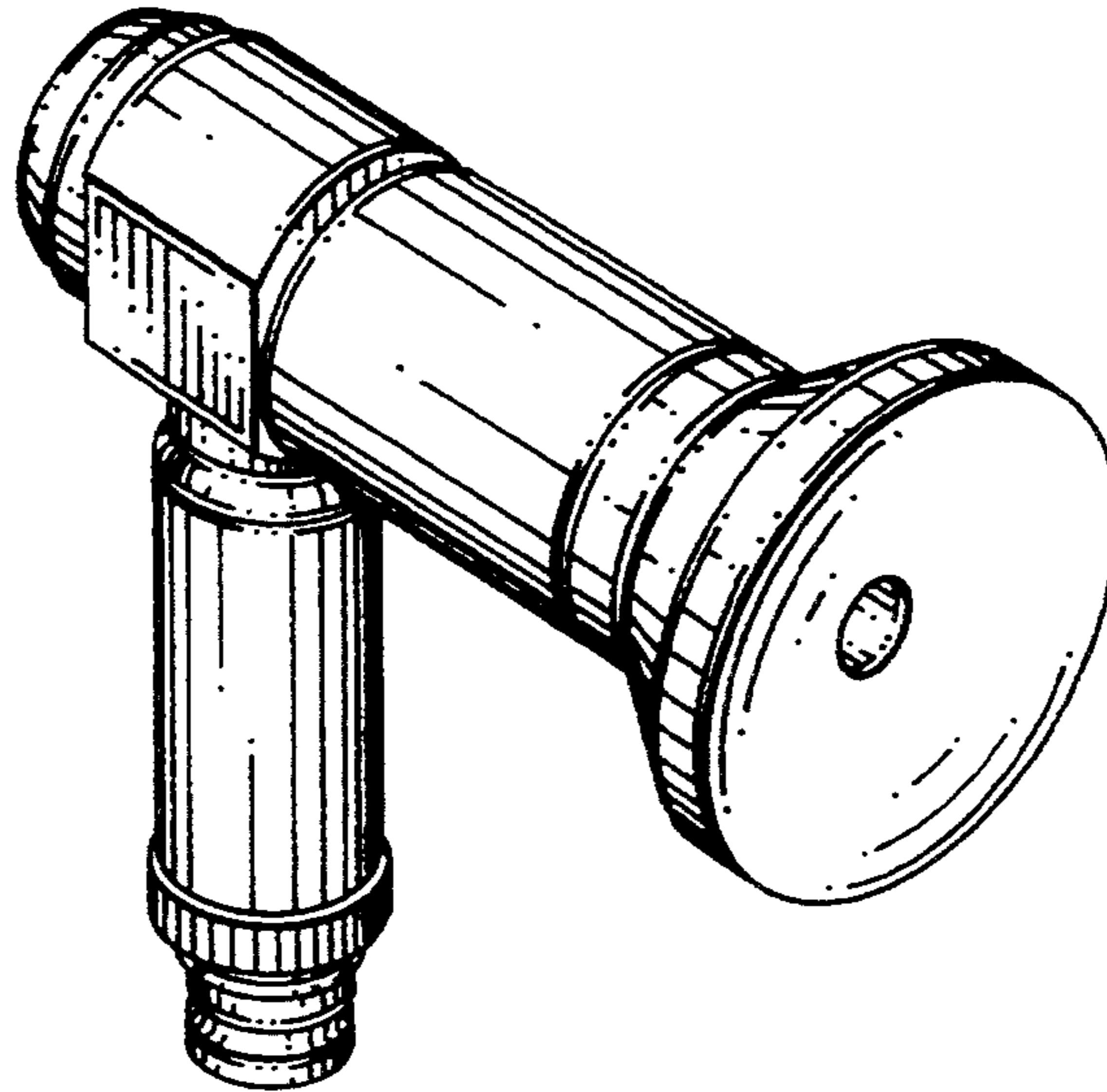
[57] **CLAIM**

The ornamental design for a surgical endoscope base, as shown and described.

DESCRIPTION

FIG. 1 is a perspective elevation view of a surgical endoscope base showing my new design;
FIG. 2 is a side view thereof;
FIG. 3 is a top view thereof;
FIG. 4 is a bottom view thereof;
FIG. 5 is a front view thereof; and,
FIG. 6 is a rear view thereof.

[56] **References Cited**
U.S. PATENT DOCUMENTS
4,822,154 4/1989 Oxford et al. 128/6



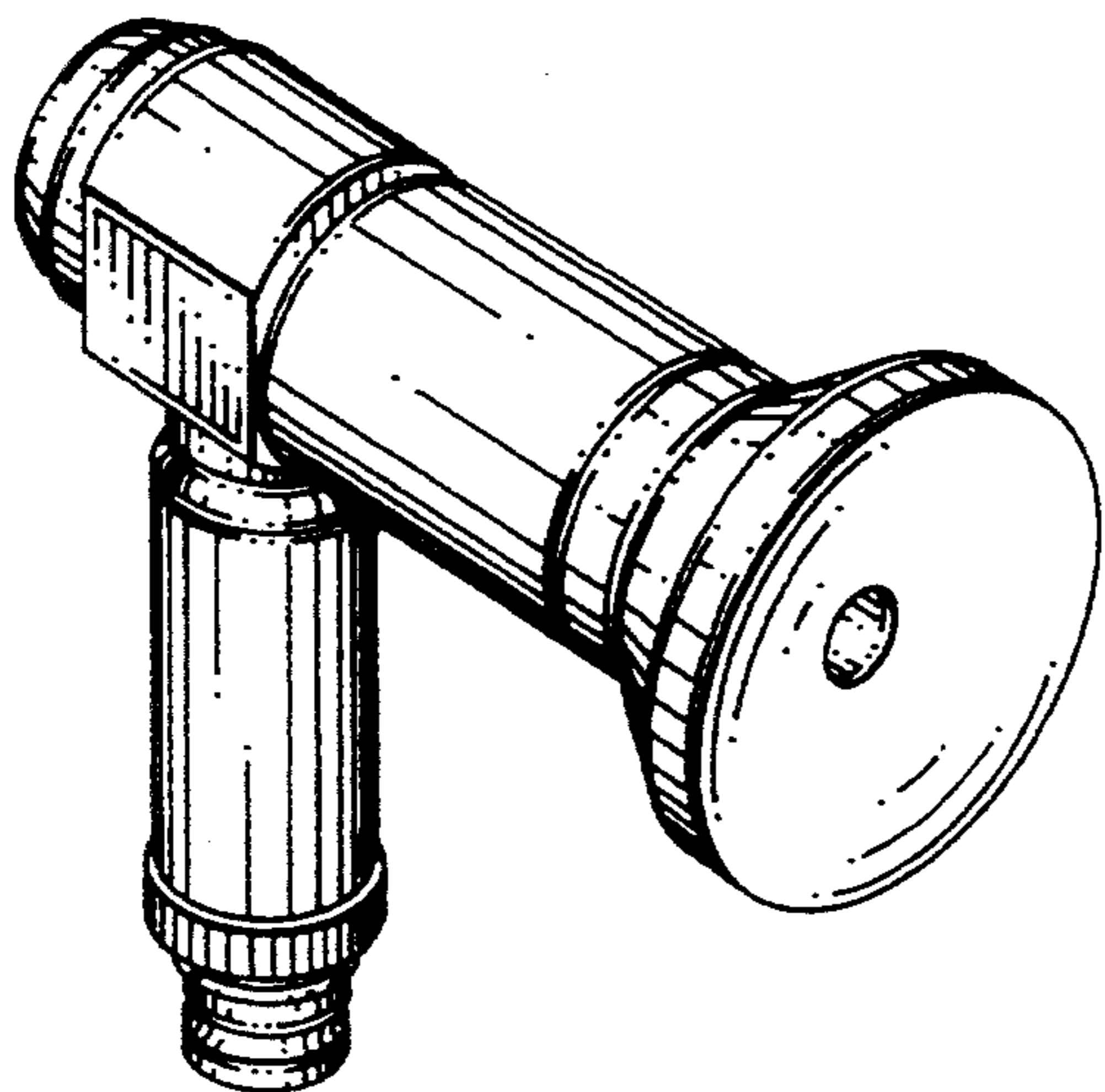


FIG. 1

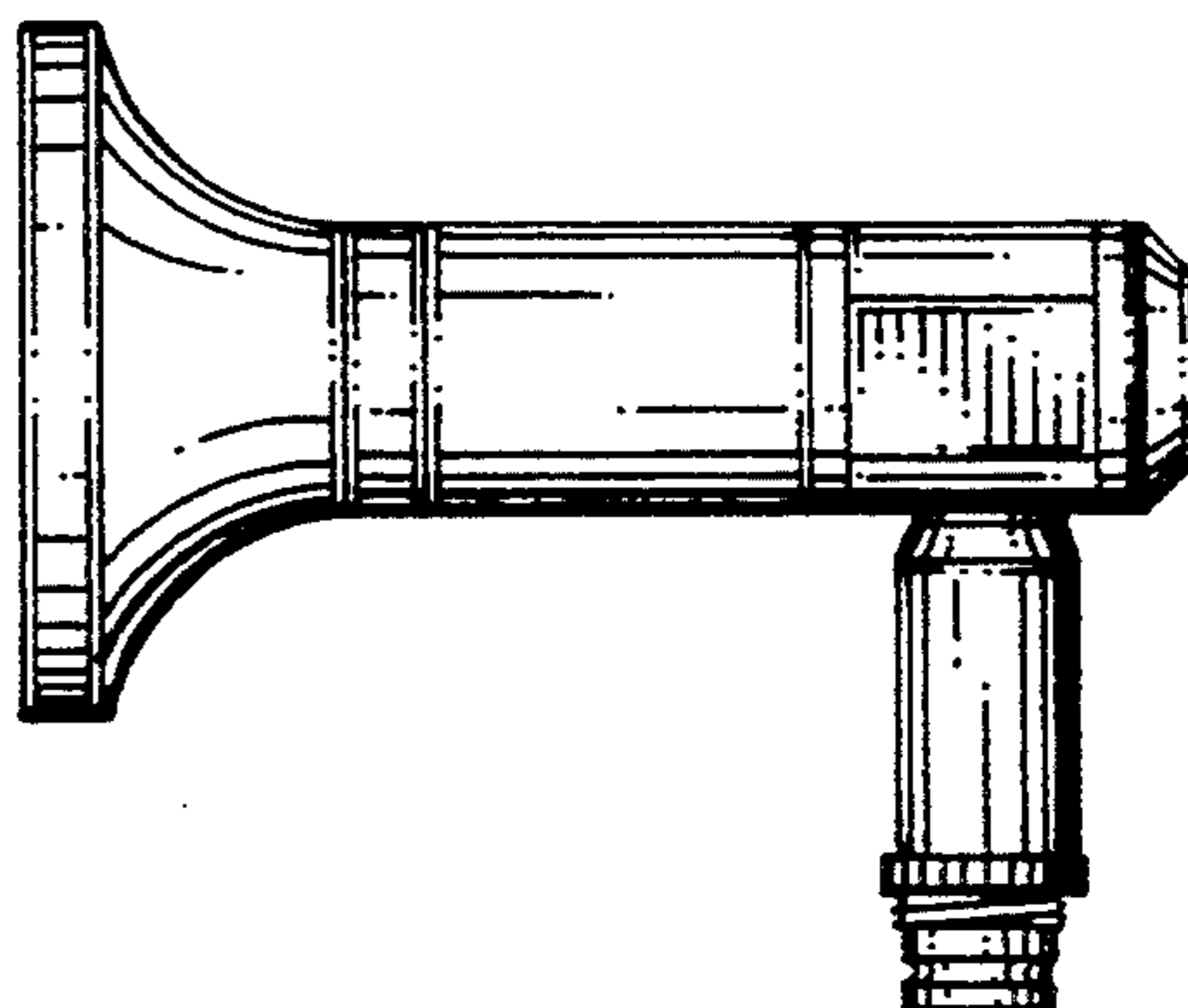


FIG. 2

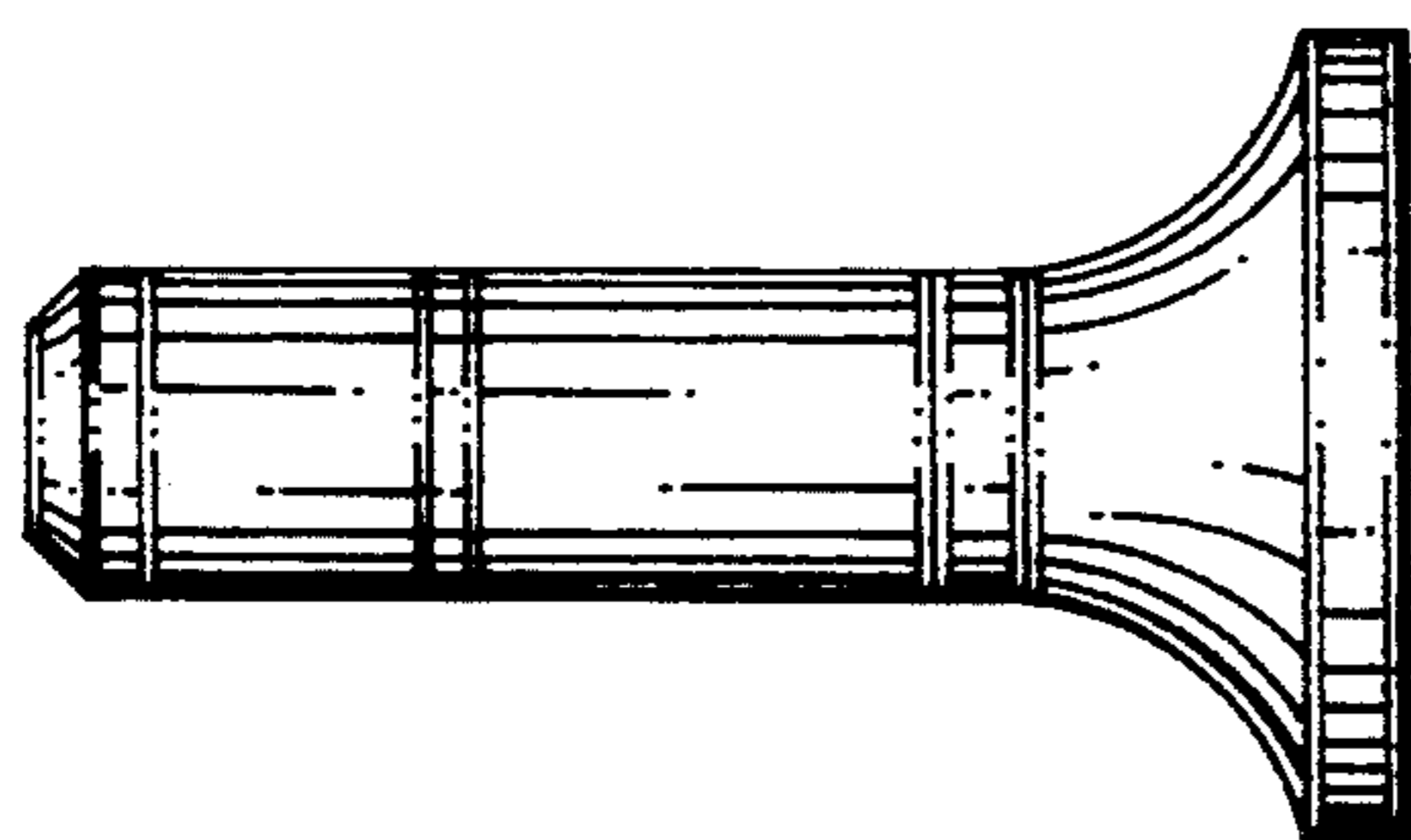


FIG. 3

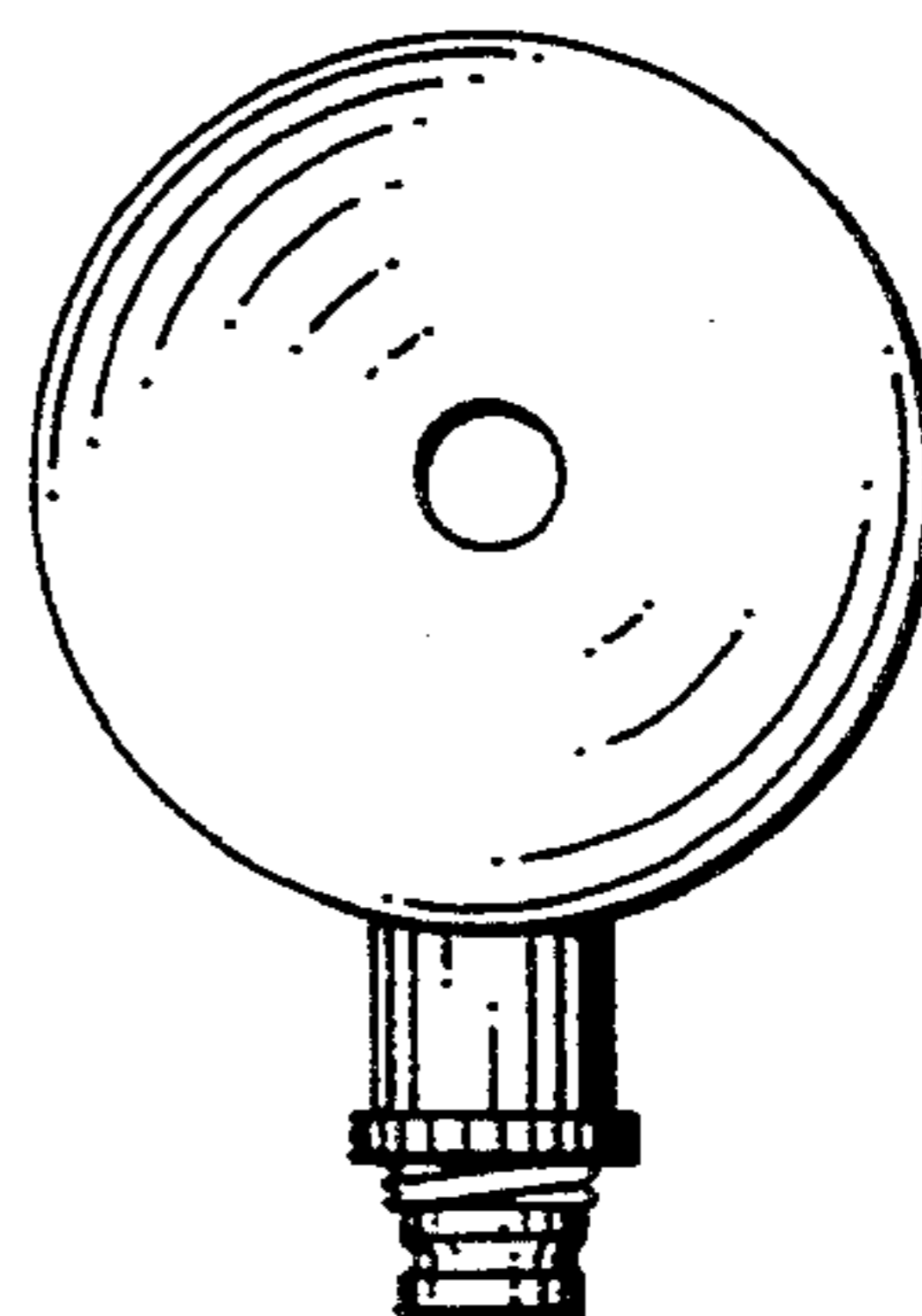


FIG. 5

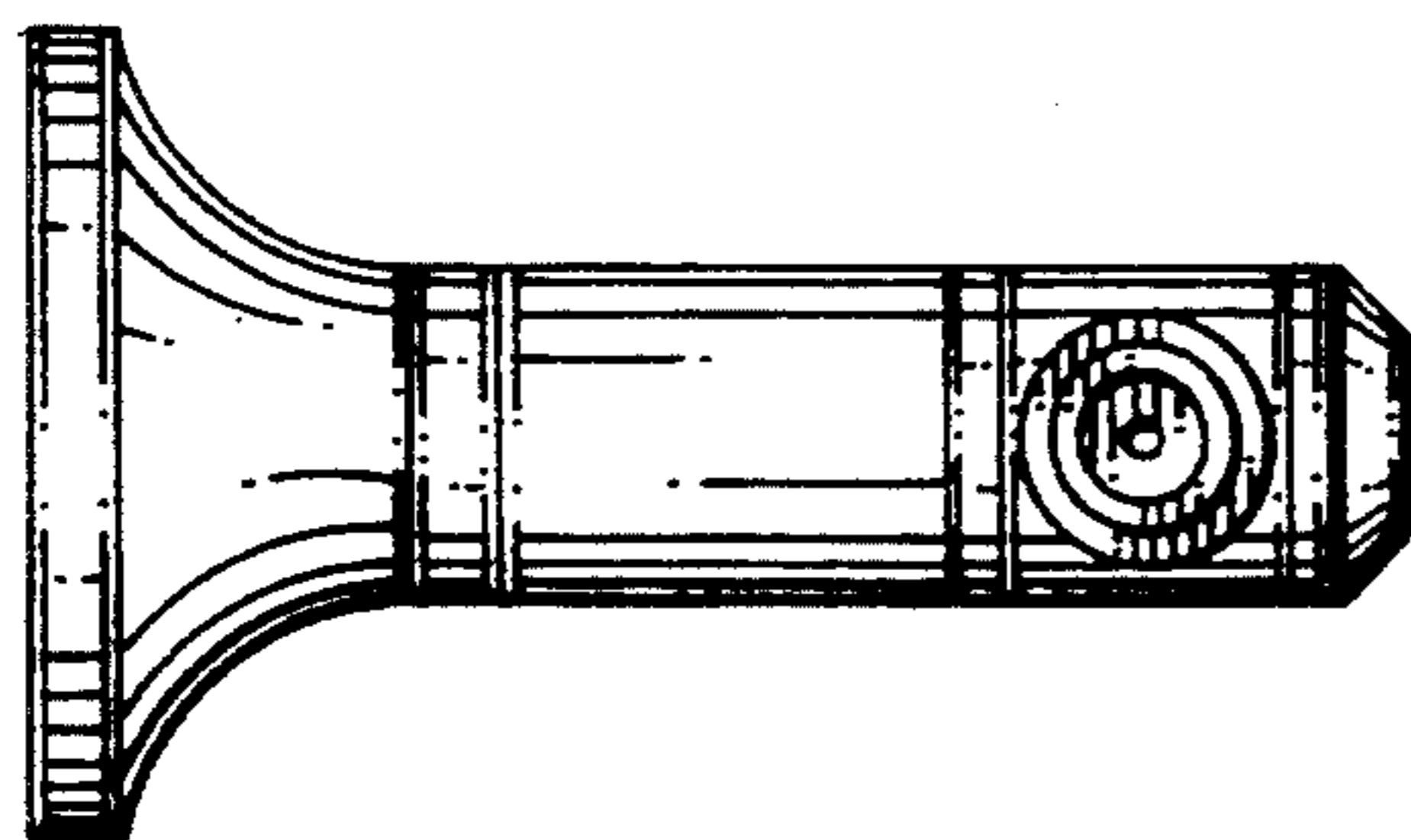


FIG. 4

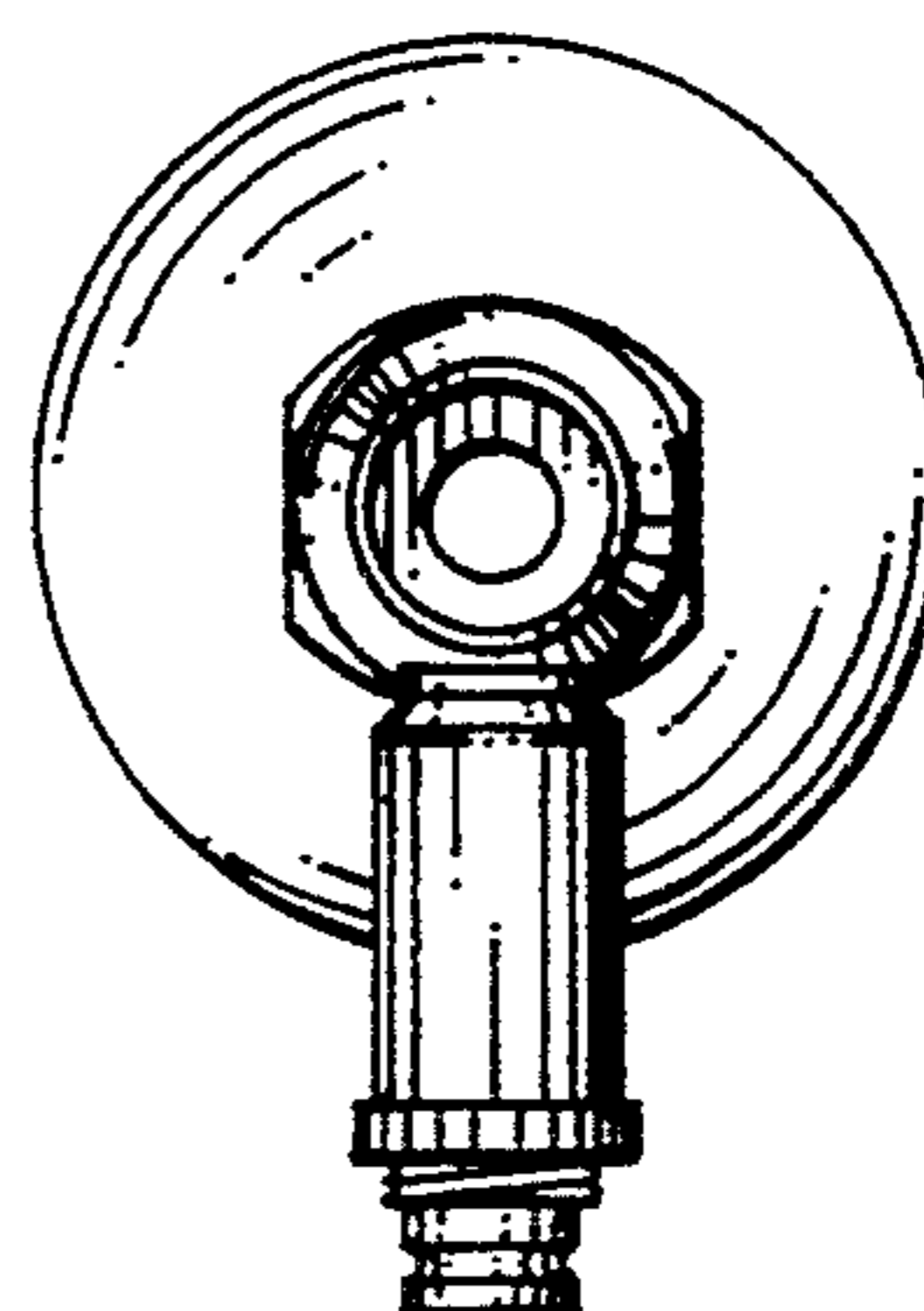


FIG. 6