



US00D358639S

**United States Patent** [19]  
**Chiu**

[11] **Patent Number: Des. 358,639**  
[45] **Date of Patent: \*\* May 23, 1995**

[54] **STAND WITH ELECTRICAL CONTROL UNIT FOR A PORTABLE FAN**

[75] Inventor: **Bernard Chiu**, Ashland, Mass.  
[73] Assignee: **Duracraft Corporation**, Whitinsville, Mass.  
[\*\*] Term: **14 Years**  
[21] Appl. No.: **13,691**  
[22] Filed: **Sep. 30, 1993**

**Related U.S. Application Data**

[63] Continuation of Ser. No. 800,950, Dec. 2, 1991, Pat. No. 5,295,811.  
[52] U.S. Cl. .... **D23/411; D13/162**  
[58] **Field of Search** ..... D23/370, 381, 382, 378, D23/411, 377; 416/244 R, 246; 248/676, 175; D13/162; D14/217, 218, 240, 107; D6/499

[56] **References Cited**  
**U.S. PATENT DOCUMENTS**

D. 167,093 1/1952 Moore ..... D23/377  
D. 307,470 4/1990 Utsuki et al. .... D23/378  
3,963,382 6/1976 Patton ..... 416/247 R

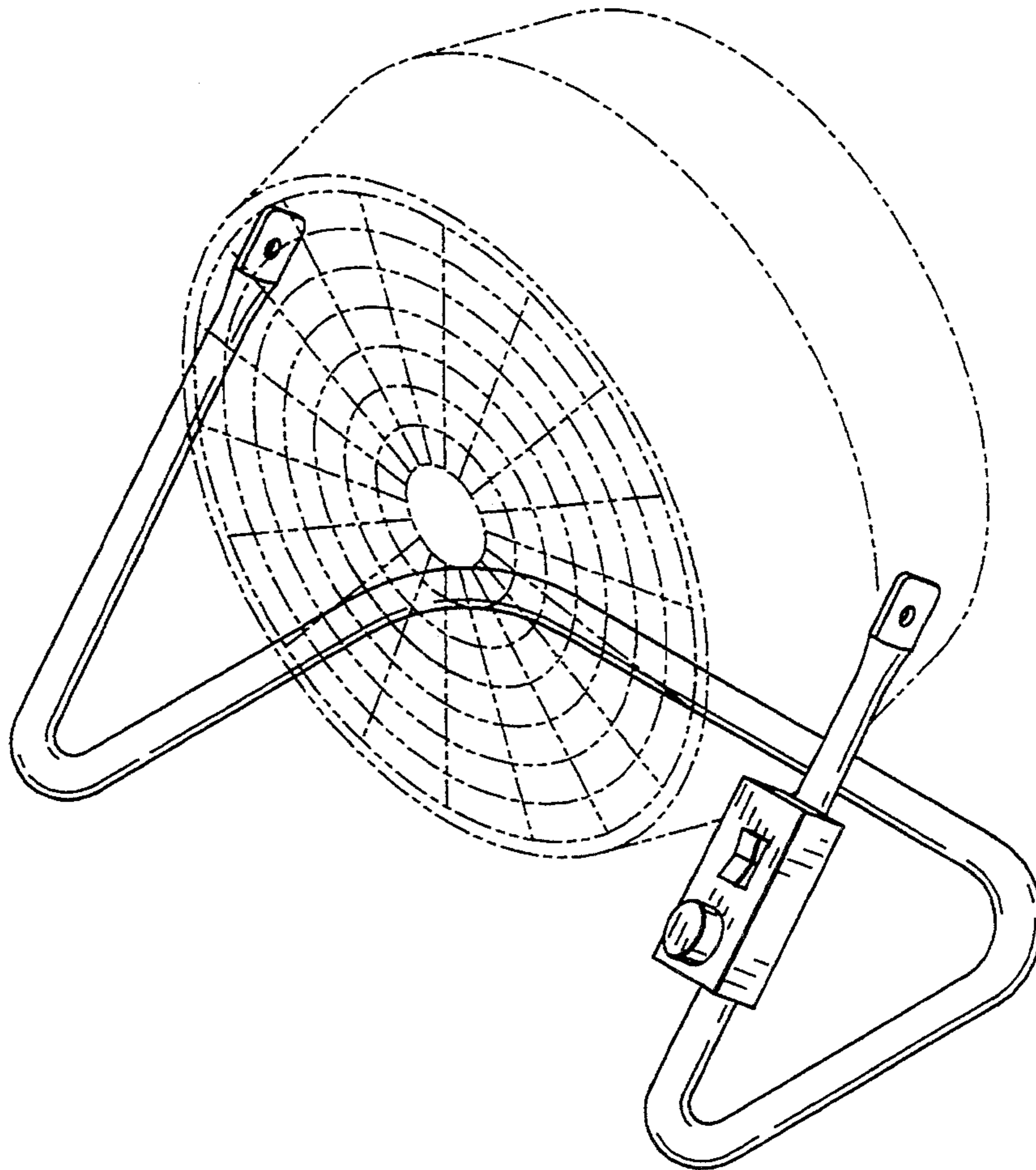
*Primary Examiner*—Lisa P. Lichtenstein  
*Attorney, Agent, or Firm*—John E. Toupal; Harold G. Jarcho

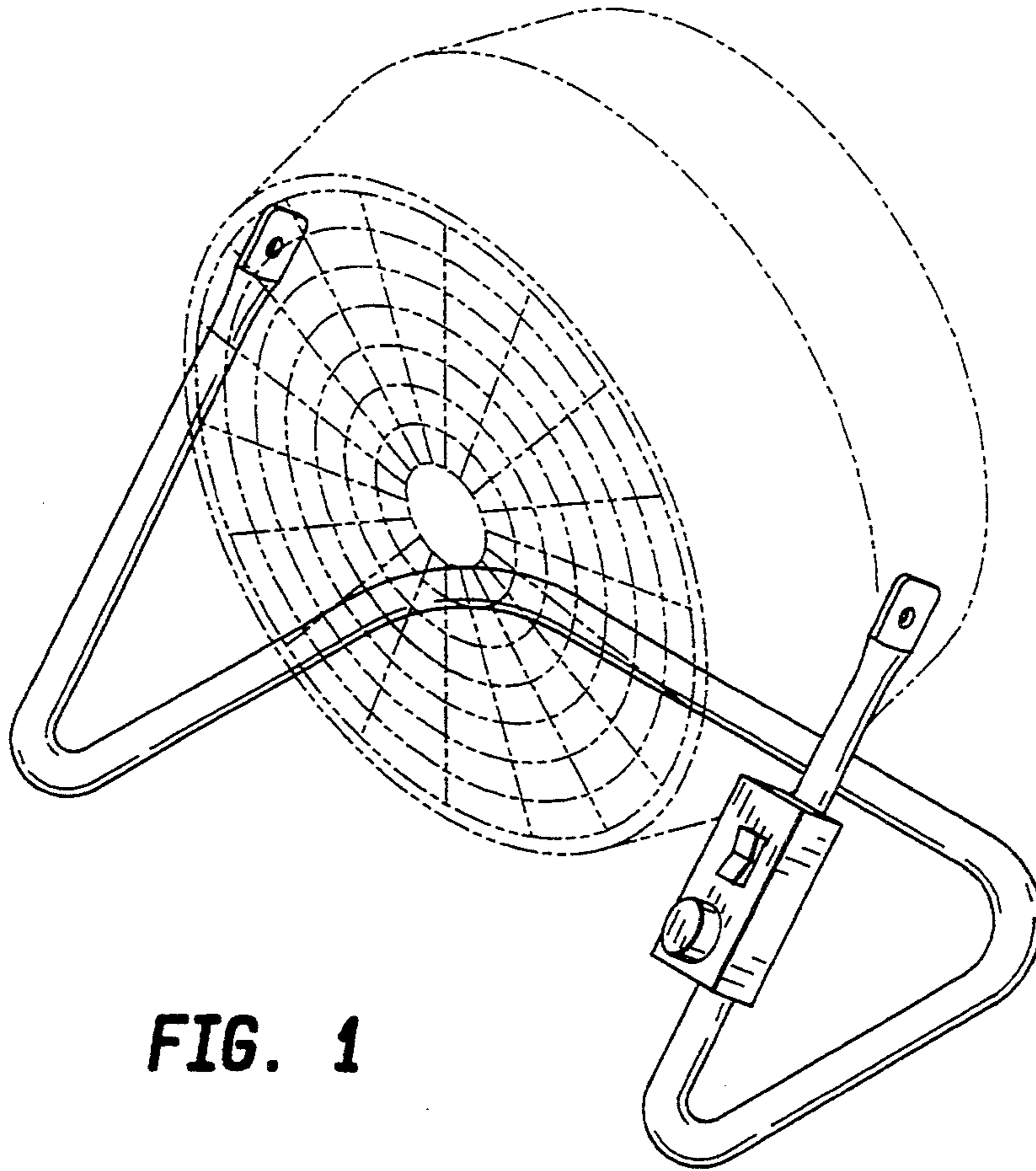
[57] **CLAIM**

The ornamental design for a stand with electrical control unit for a portable fan, as shown and described.

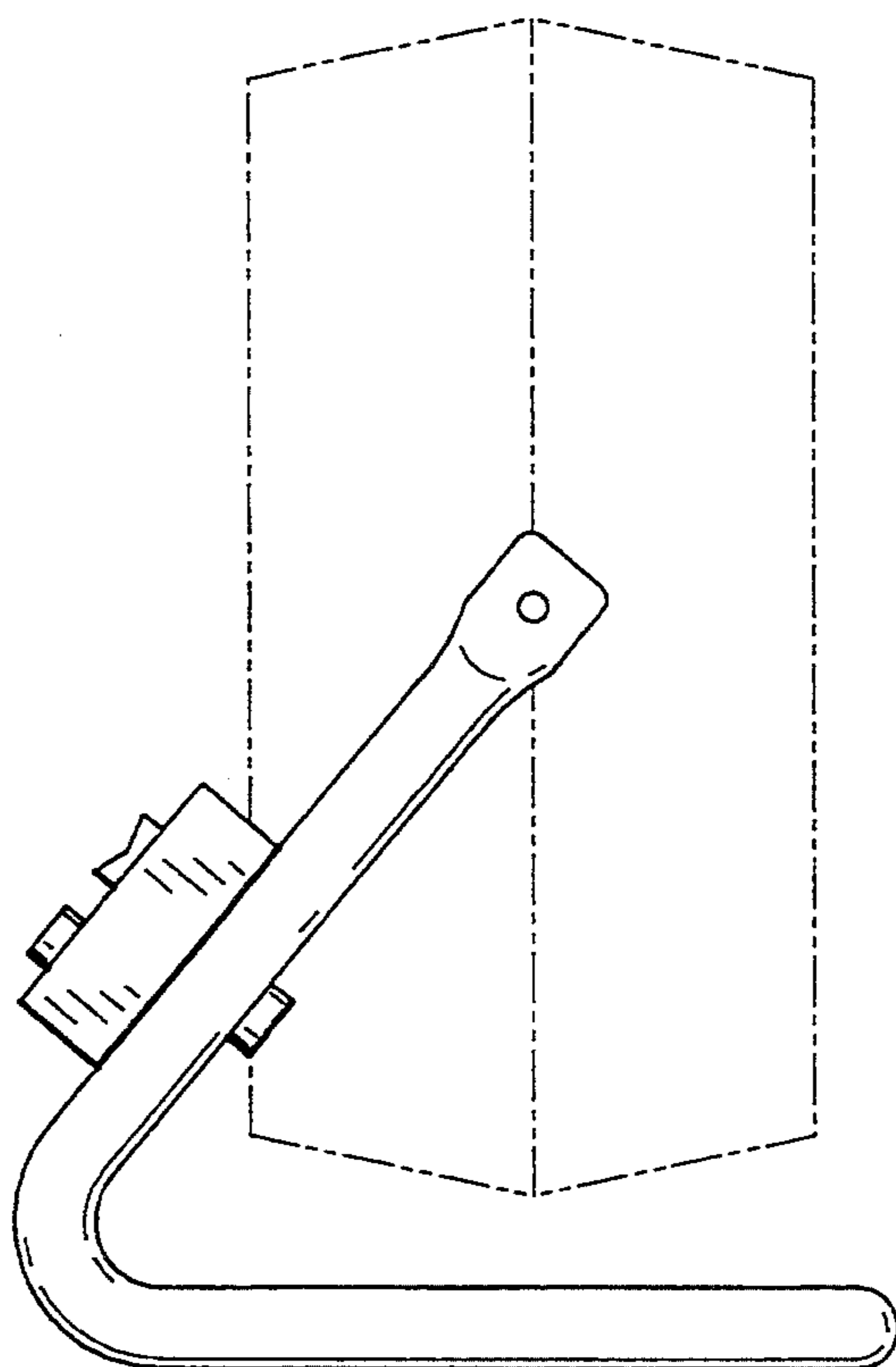
**DESCRIPTION**

FIG. 1 is a front perspective view of a stand with electrical control unit for a portable fan;  
FIG. 2 is a front elevational view thereof;  
FIG. 3 is a rear elevational view thereof; and,  
FIG. 4 is a right side elevational view thereof.  
The broken line showing of a fan in FIGS. 1-4 is for illustrative purposes only and forms no part of the claimed design.

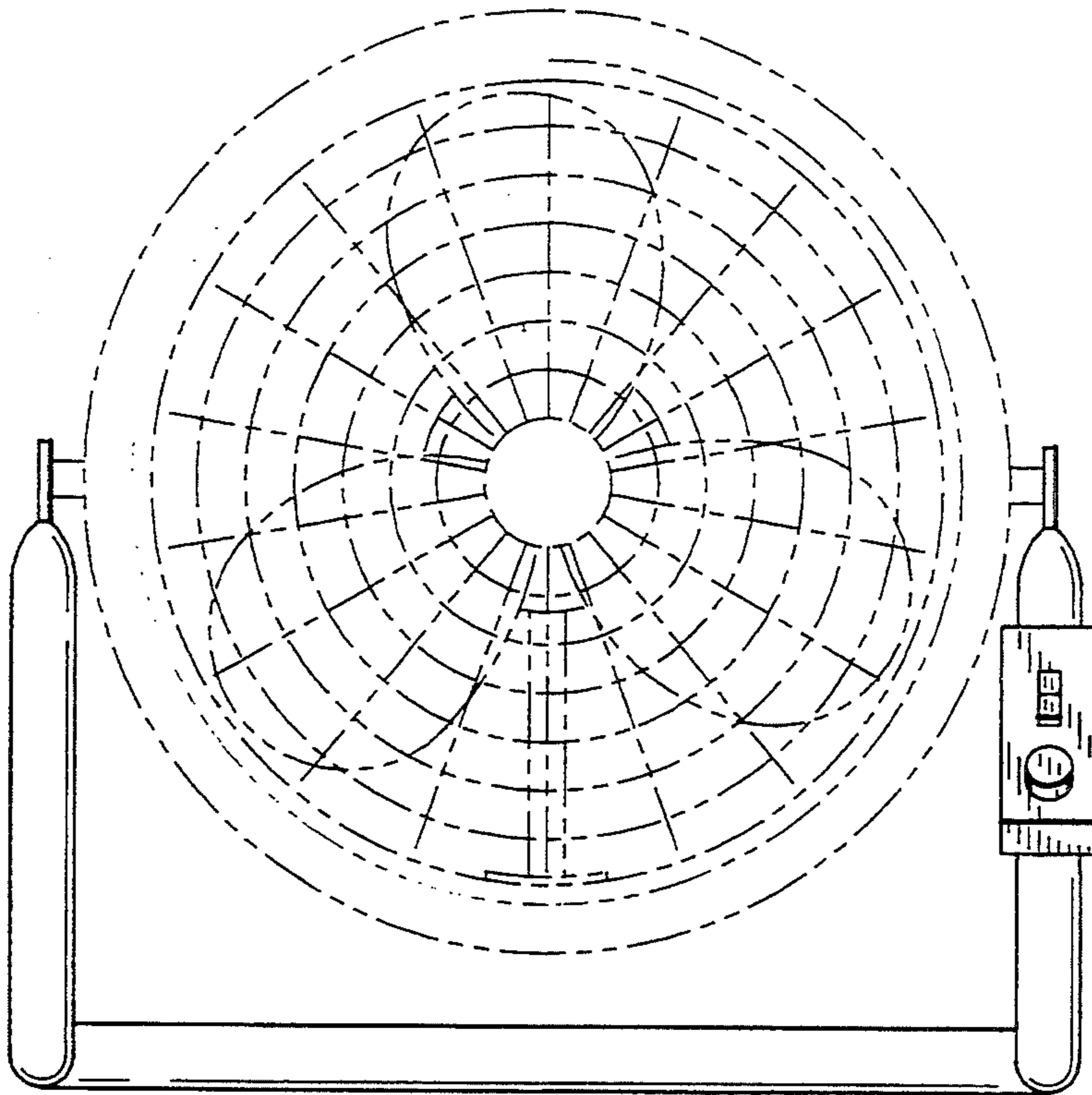




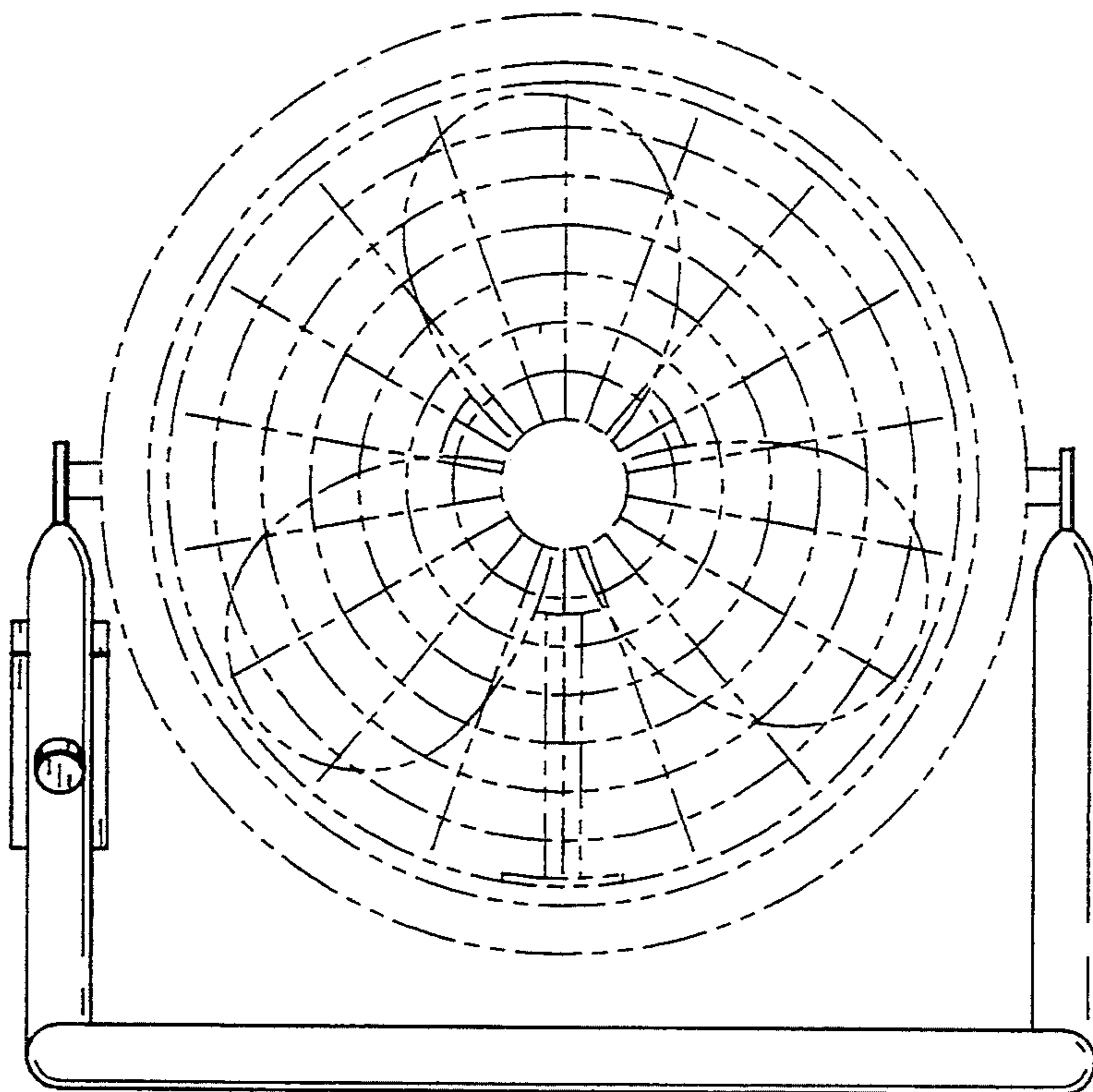
**FIG. 1**



**FIG. 2**



**FIG. 3**



**FIG. 4**