



US00D358637S

United States Patent [19]

[11] Patent Number: **Des. 358,637**

Boehme

[45] Date of Patent: **** May 23, 1995**

[54] **GERMICIDAL ULTRAVIOLET AIR SANITIZER**

OTHER PUBLICATIONS

[75] Inventor: **Hilary Boehme**, Fort Salonga, N.Y.

Hong Kong Household Oct. 1984, p. 57, Turbo Air Cleaner.

[73] Assignee: **Atlantic Ultraviolet Corporation**, Hauppauge, N.Y.

Flanders Filters Inc. Brochure, p. 23, Air Purification Unit A, middle right side of page.

Airfiltronix Brochure, p. 2, Air Cleaner Series 2000, top left side of page.

[**] Term: **14 Years**

Primary Examiner—Lisa P. Lichtenstein
Attorney, Agent, or Firm—Charles E. Baxley

[21] Appl. No.: **10,613**

[57] CLAIM

The ornamental design for a germicidal ultraviolet air sanitizer, as shown.

[22] Filed: **Sep. 16, 1993**

[52] U.S. Cl. **D23/364**

[58] Field of Search **D23/364, 365; D13/103; 422/4, 5, 120; 55/279**

DESCRIPTION

FIG. 1 is a perspective view of a germicidal ultraviolet air sanitizer showing my new design;

FIG. 2 is a front elevational view thereof;

FIG. 3 is a rear elevational view thereof;

FIG. 4 is a right side elevational view thereof;

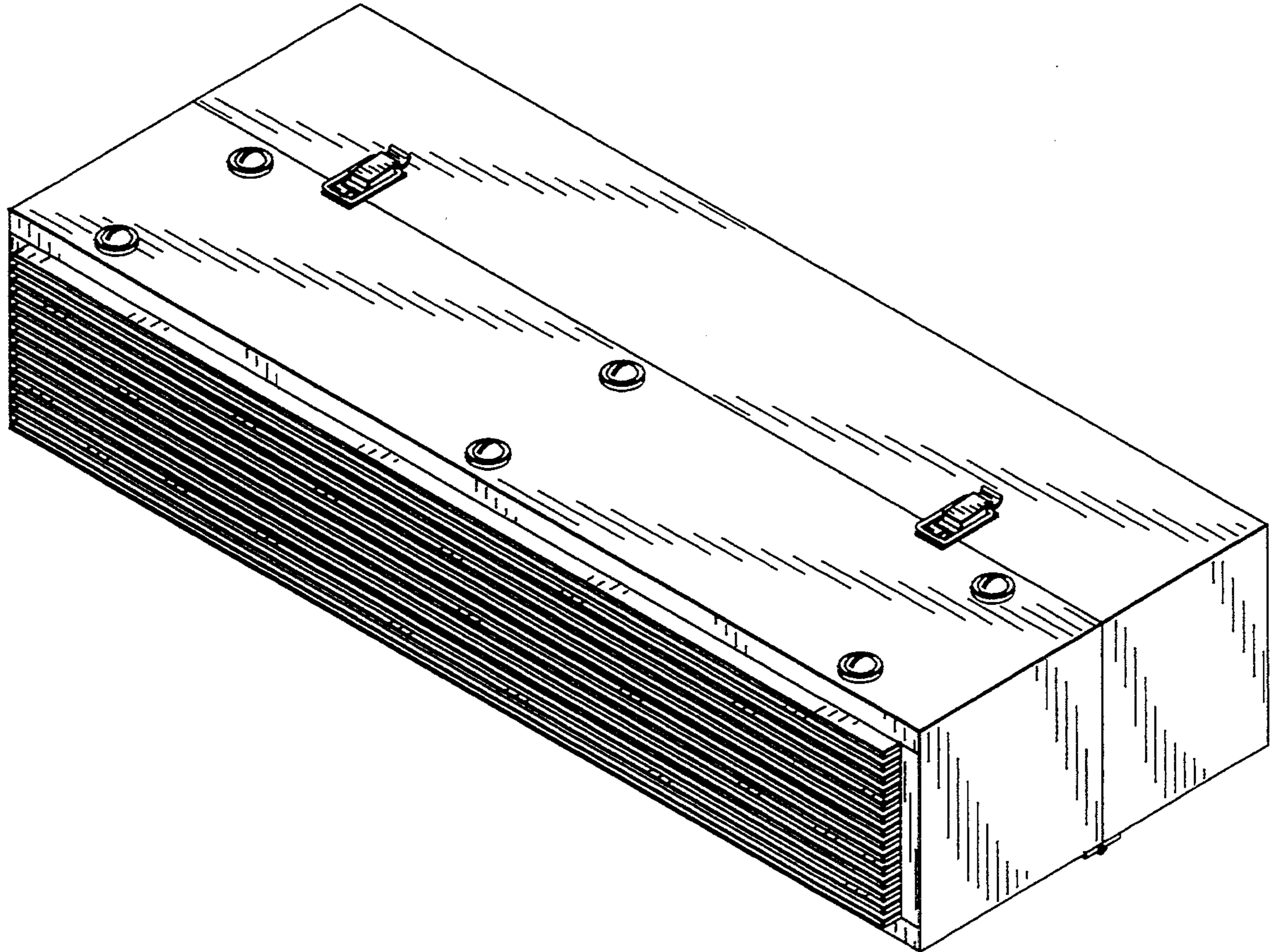
FIG. 5 is a top plan view thereof; and,

FIG. 6 is a bottom plan view thereof.

[56] References Cited

U.S. PATENT DOCUMENTS

4,629,604 12/1986 Spector 422/5



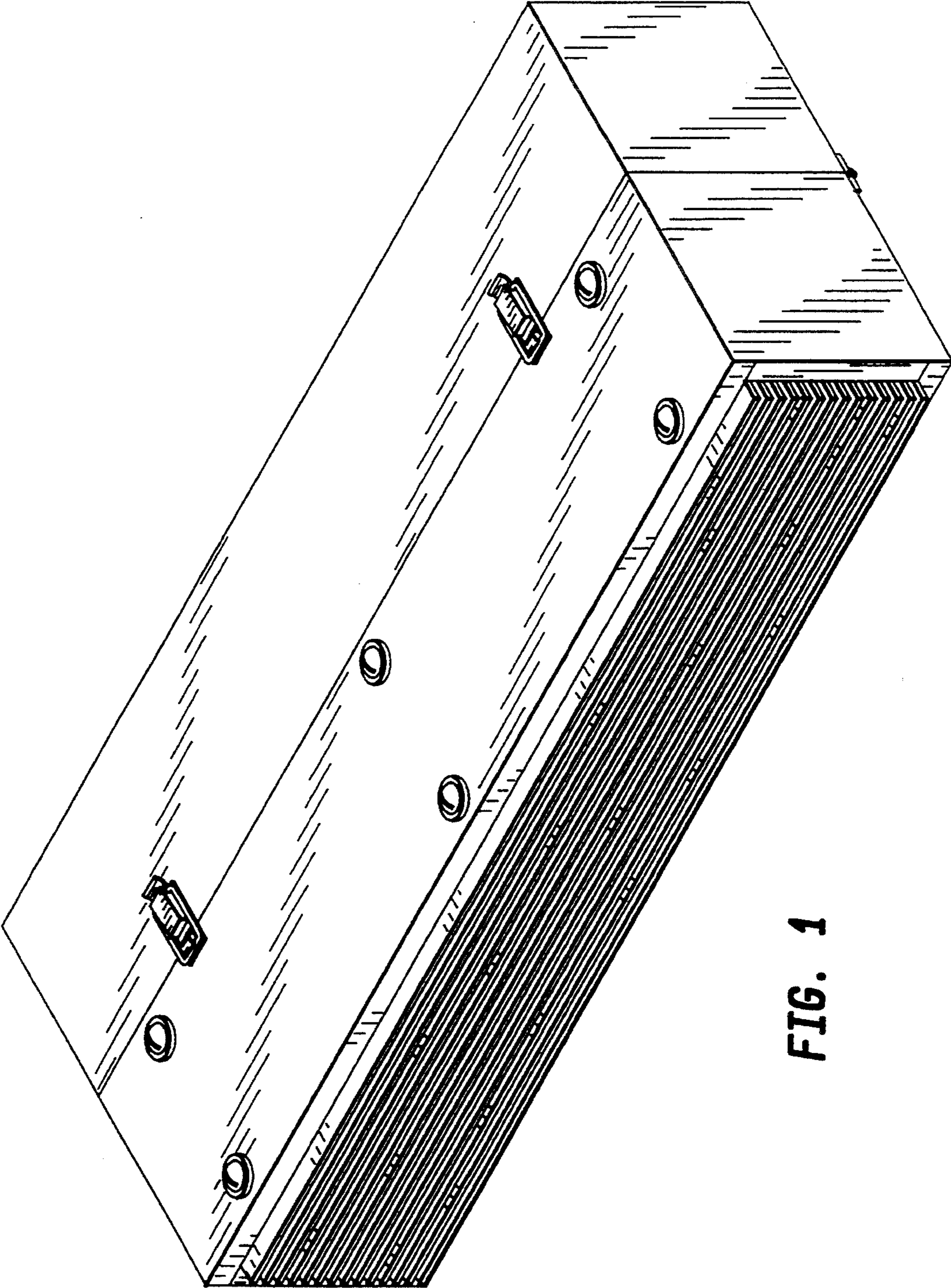


FIG. 1

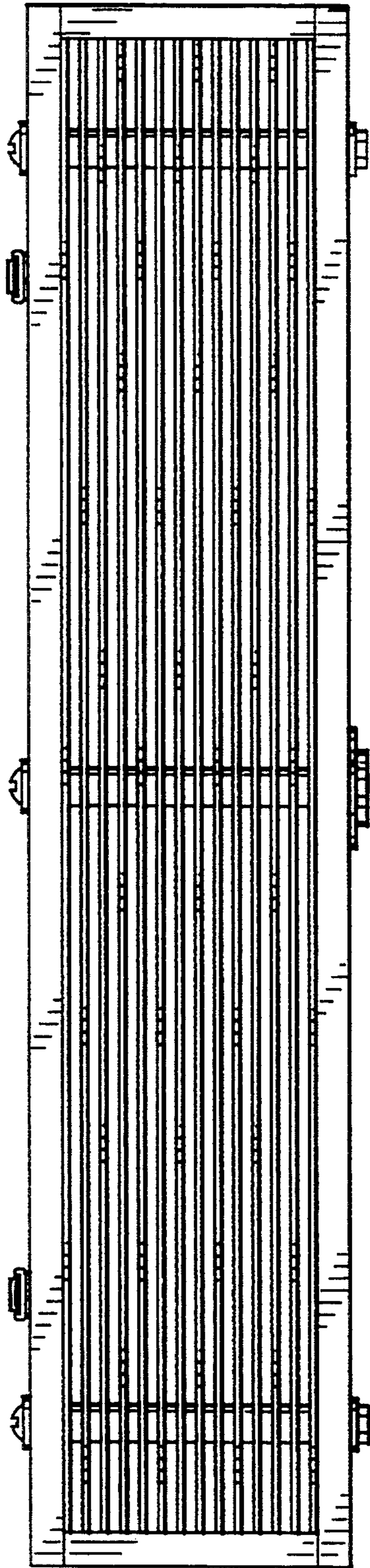


FIG. 2

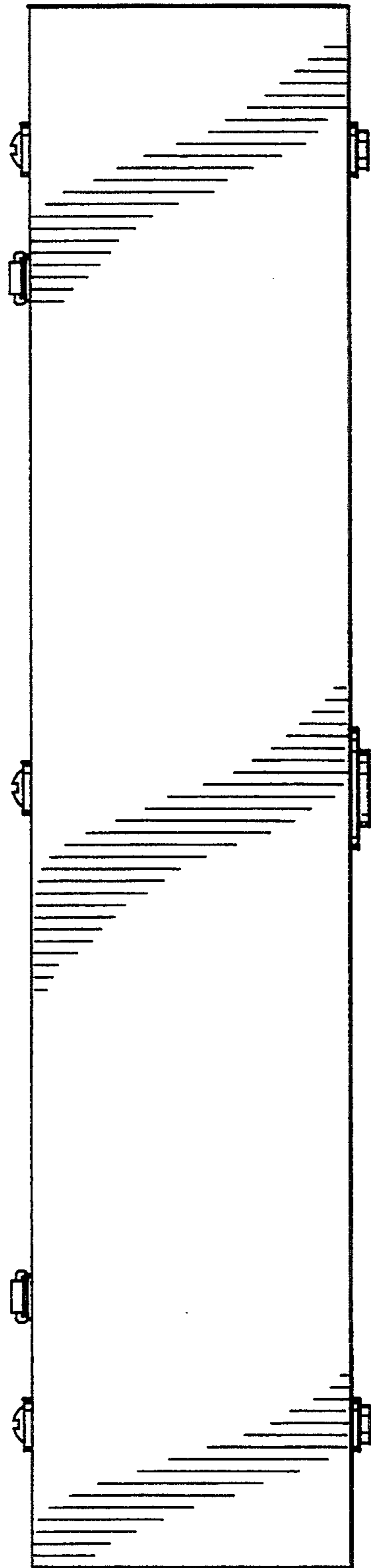


FIG. 3

FIG. 4

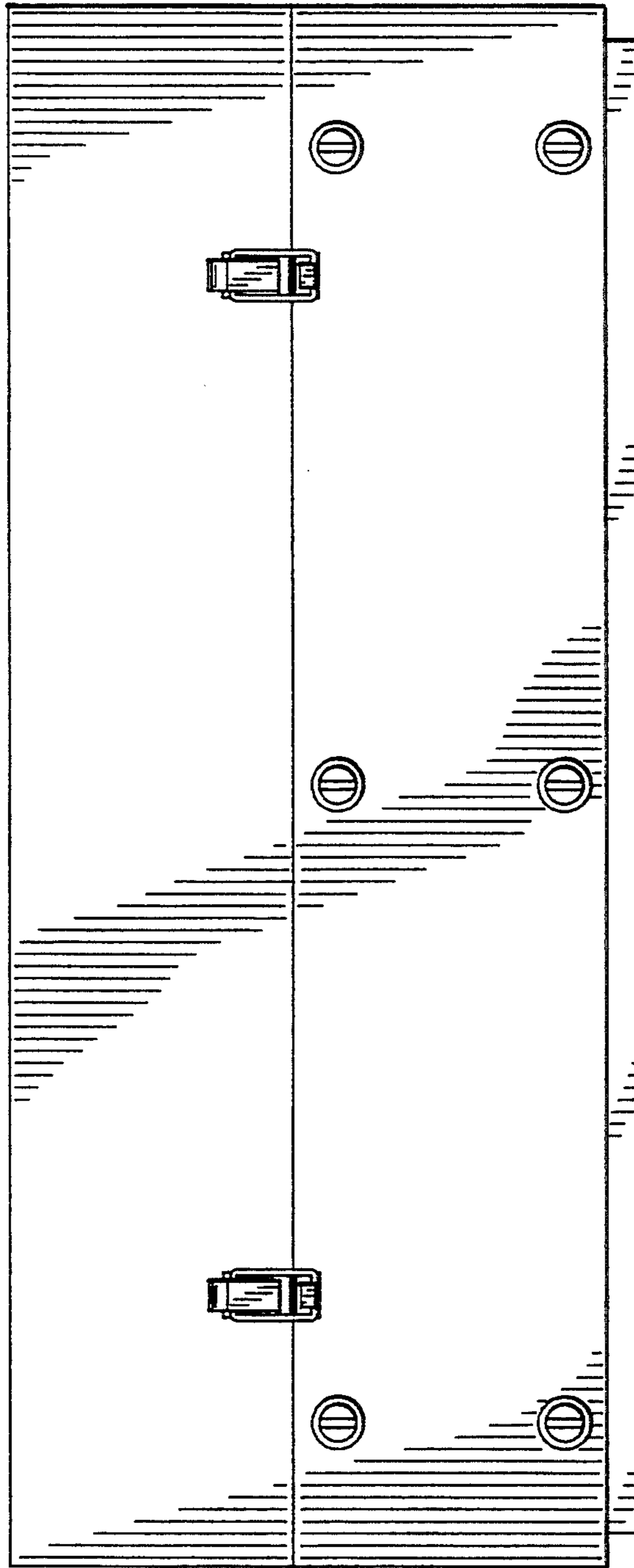
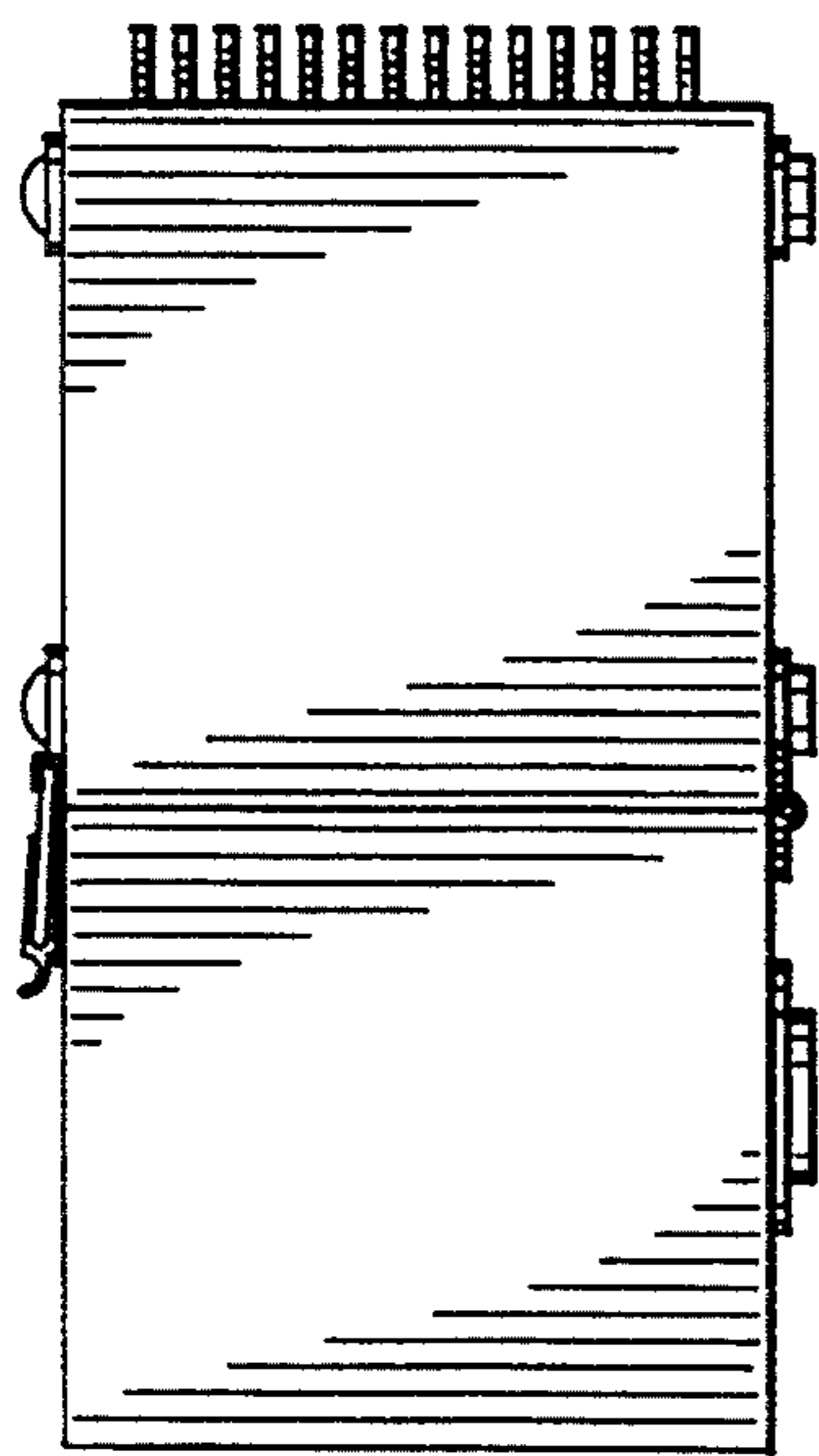


FIG. 5

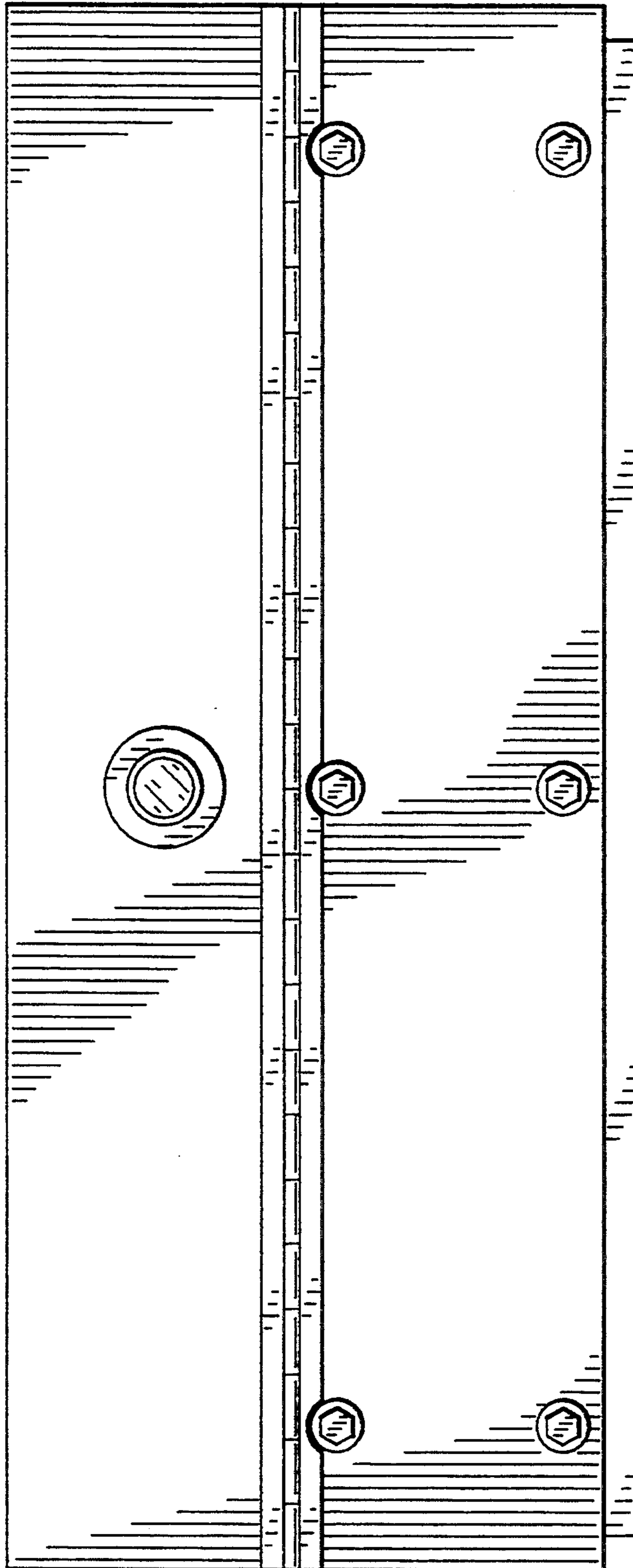


FIG. 6