



US00D358634S

United States Patent [19]

[11] Patent Number: Des. 358,634

Dannenberg et al.

[45] Date of Patent: ** May 23, 1995

[54] SHROUD FOR PLUMBING FIXTURE

[75] Inventors: **Todd D. Dannenberg; Jill E. Roach,**
both of Sheboygan, Wis.

[73] Assignee: **Kohler Co.,** Kohler, Wis.

[**] Term: **14 Years**

[21] Appl. No.: **17,673**

[22] Filed: **Jan. 19, 1994**

[52] U.S. Cl. **D23/308**

[58] Field of Search **D23/308-310;**
4/630, 650, 654, 656, 657, 658, 661, 670, 619;
D24/119, 136

[56] **References Cited**

U.S. PATENT DOCUMENTS

D. 332,654	1/1993	Reid et al.	D23/308
3,487,478	1/1970	Harris	4/619
3,943,581	3/1976	Reyes	4/630
4,646,370	3/1987	Risberg et al.	4/619 X

OTHER PUBLICATIONS

Undated ad of Luwa Corporation showing an Arwa sink with a shroud, admitted prior art.

Primary Examiner—A. Hugo Word
Assistant Examiner—Eric Watterson
Attorney, Agent, or Firm—Quarles & Brady

[57] **CLAIM**

The ornamental design for a shroud for plumbing fixture, as shown and described.

DESCRIPTION

FIG. 1 is a perspective view taken from the front, bottom and right side of a shroud for plumbing fixture embodying our new design;

FIG. 2 is a front elevational view thereof;

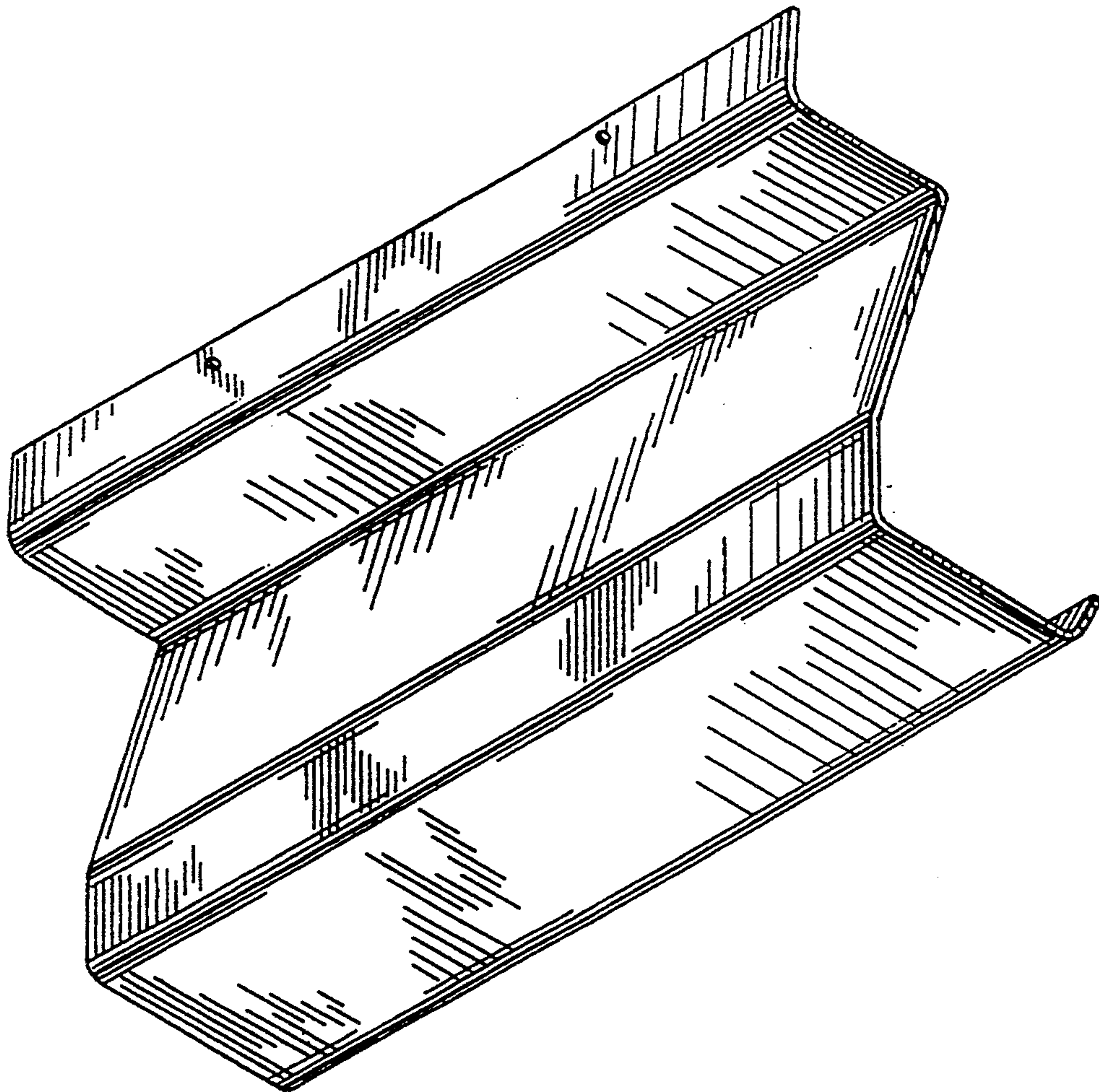
FIG. 3 is a right side elevational view, the left side being the mirror image of the right side;

FIG. 4 is a top plan view thereof;

FIG. 5 is a bottom plan view thereof; and,

FIG. 6 is a perspective view of the shroud for plumbing fixture in an unhooked and down position.

The fragmentary broken line representations of walls, hooks, sinks and cabinets in FIGS. 3 and 6 are for the purpose of illustration only and form no part of the claimed design.



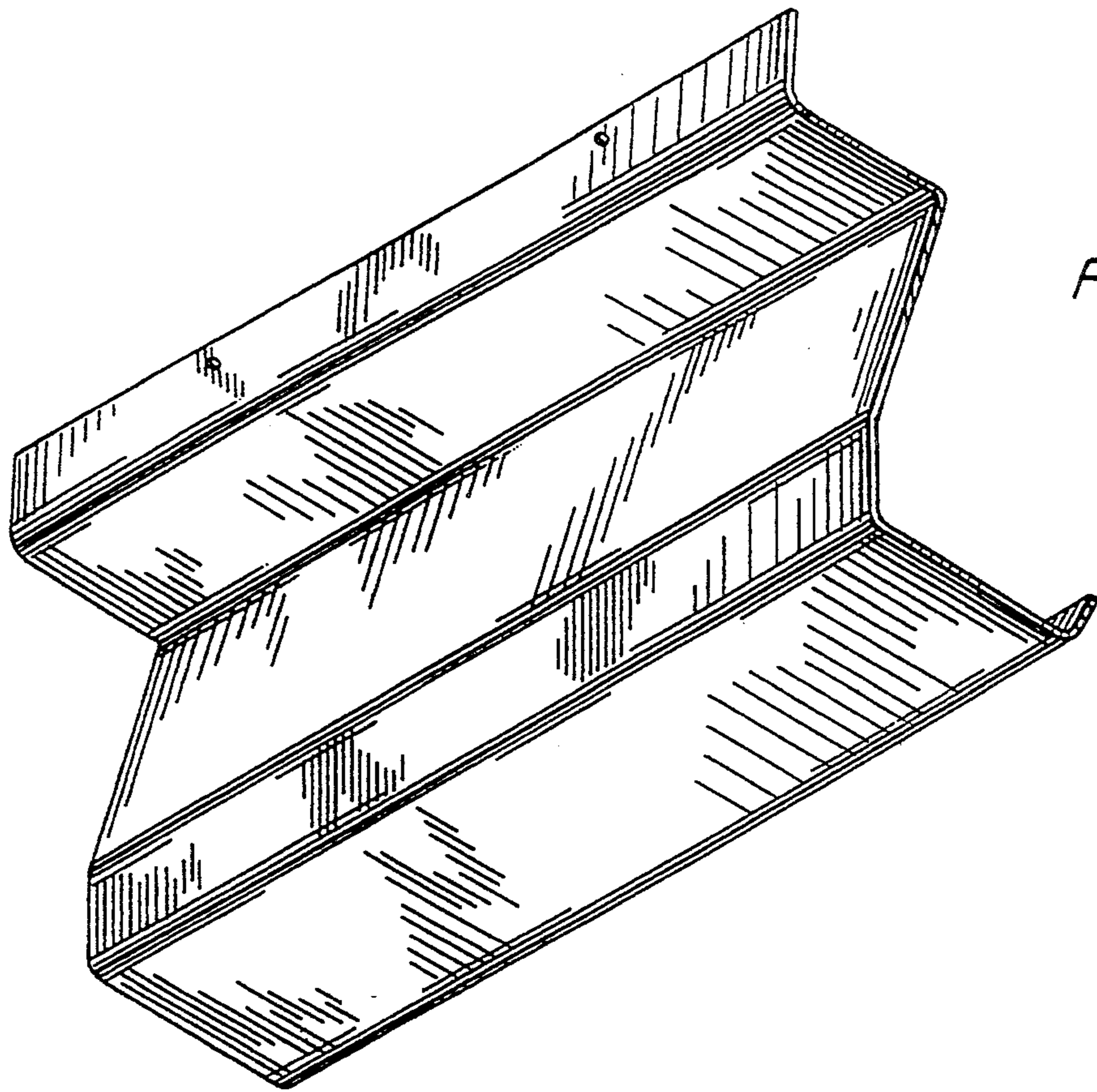


FIG. 1.

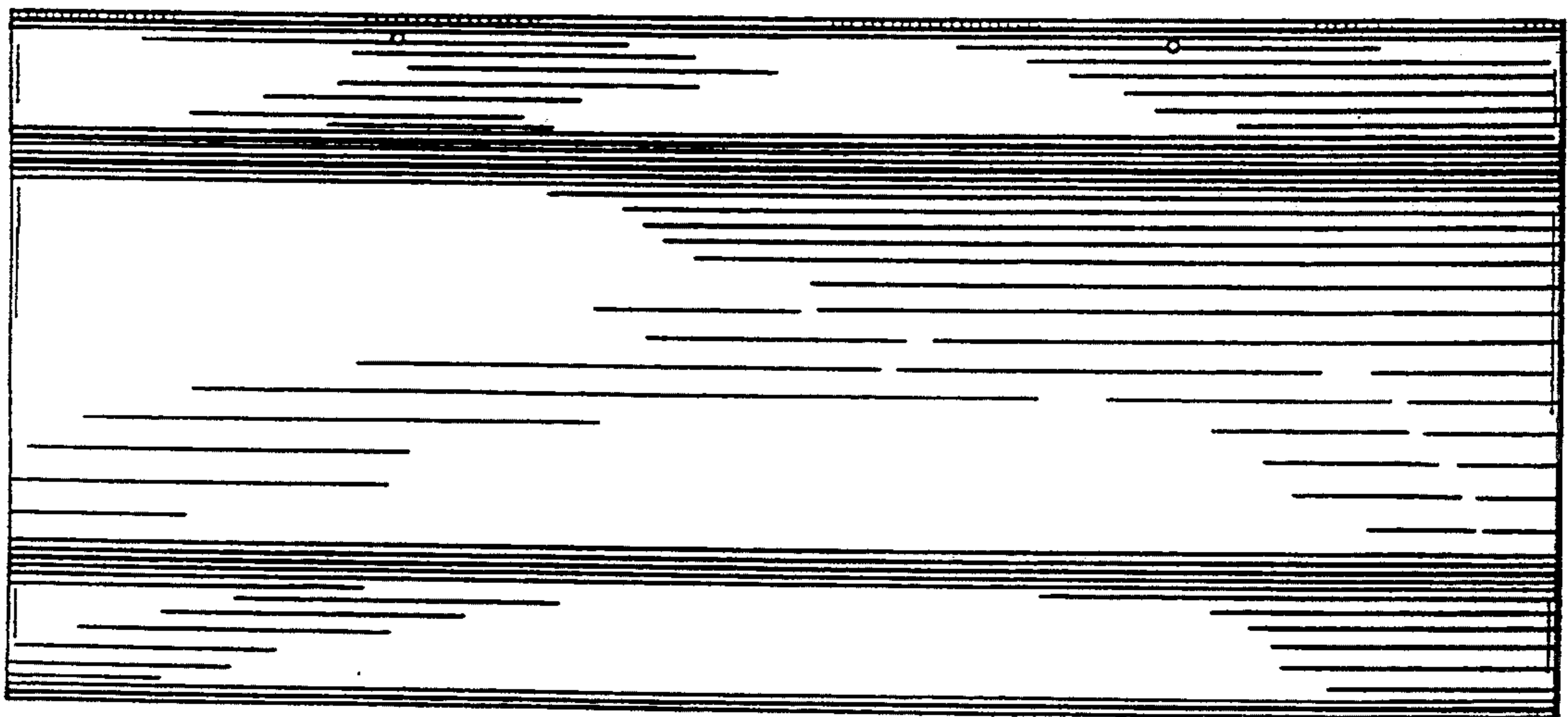


FIG. 2.

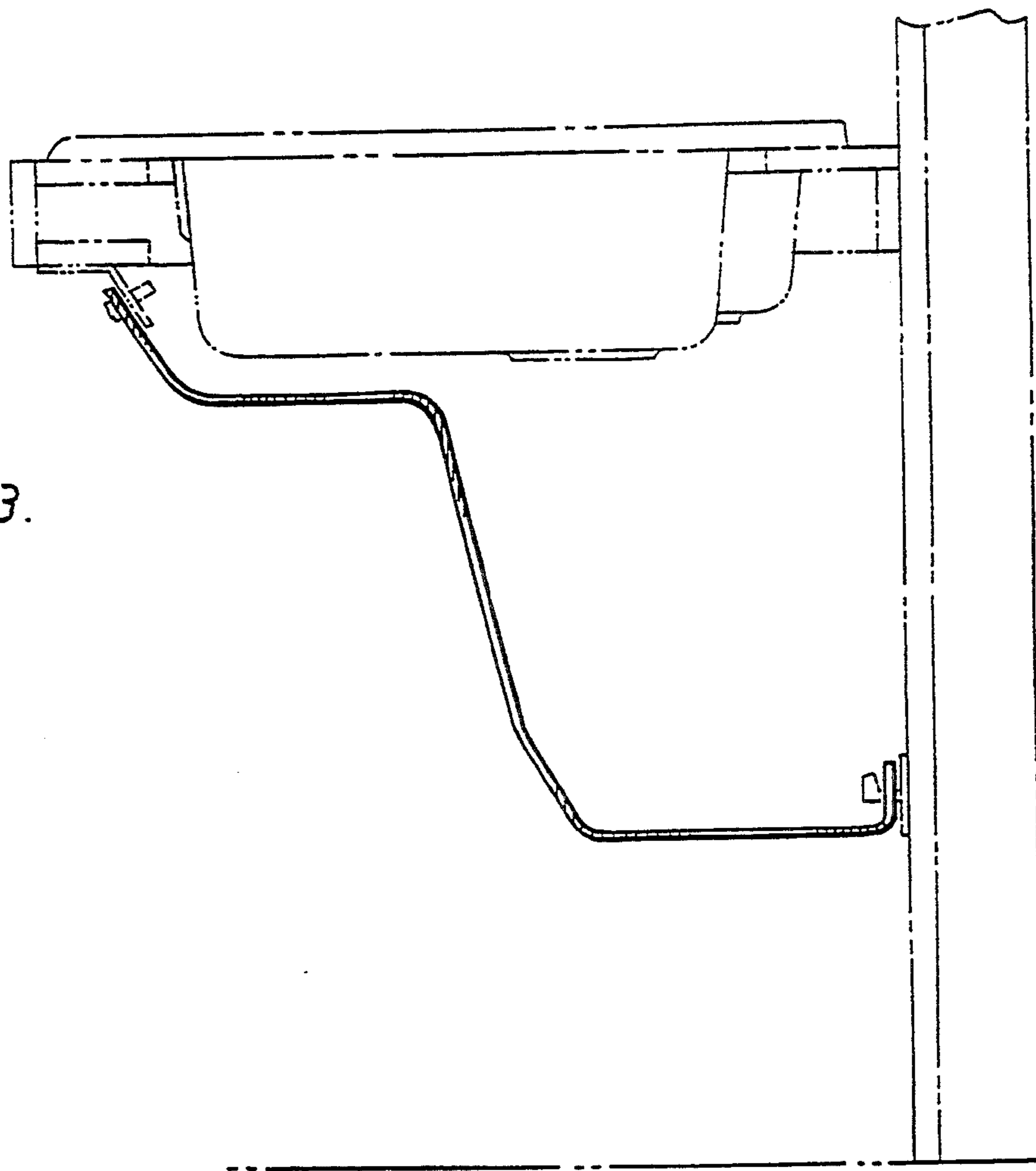


FIG. 3.

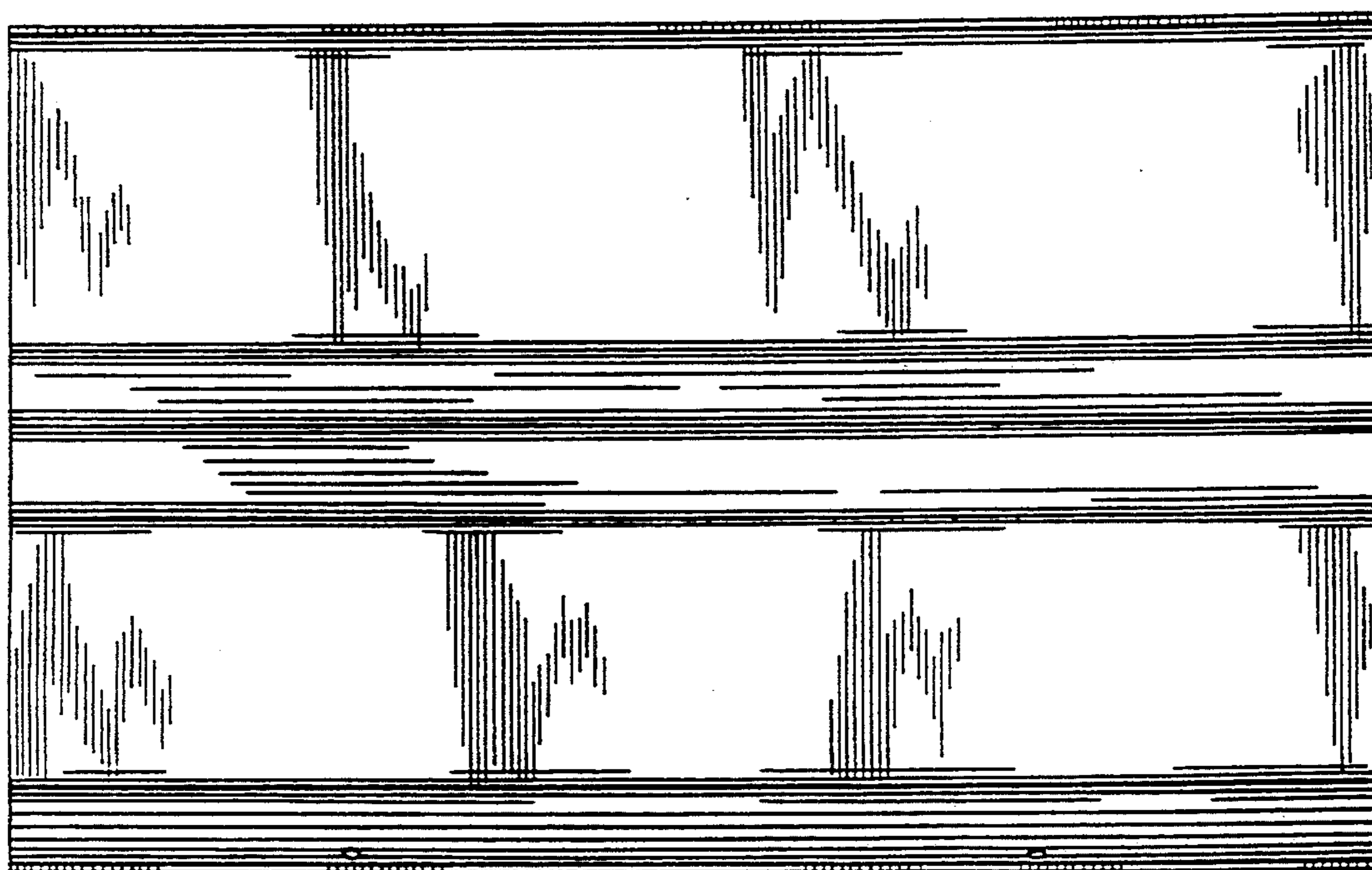


FIG. 4.

FIG. 5.

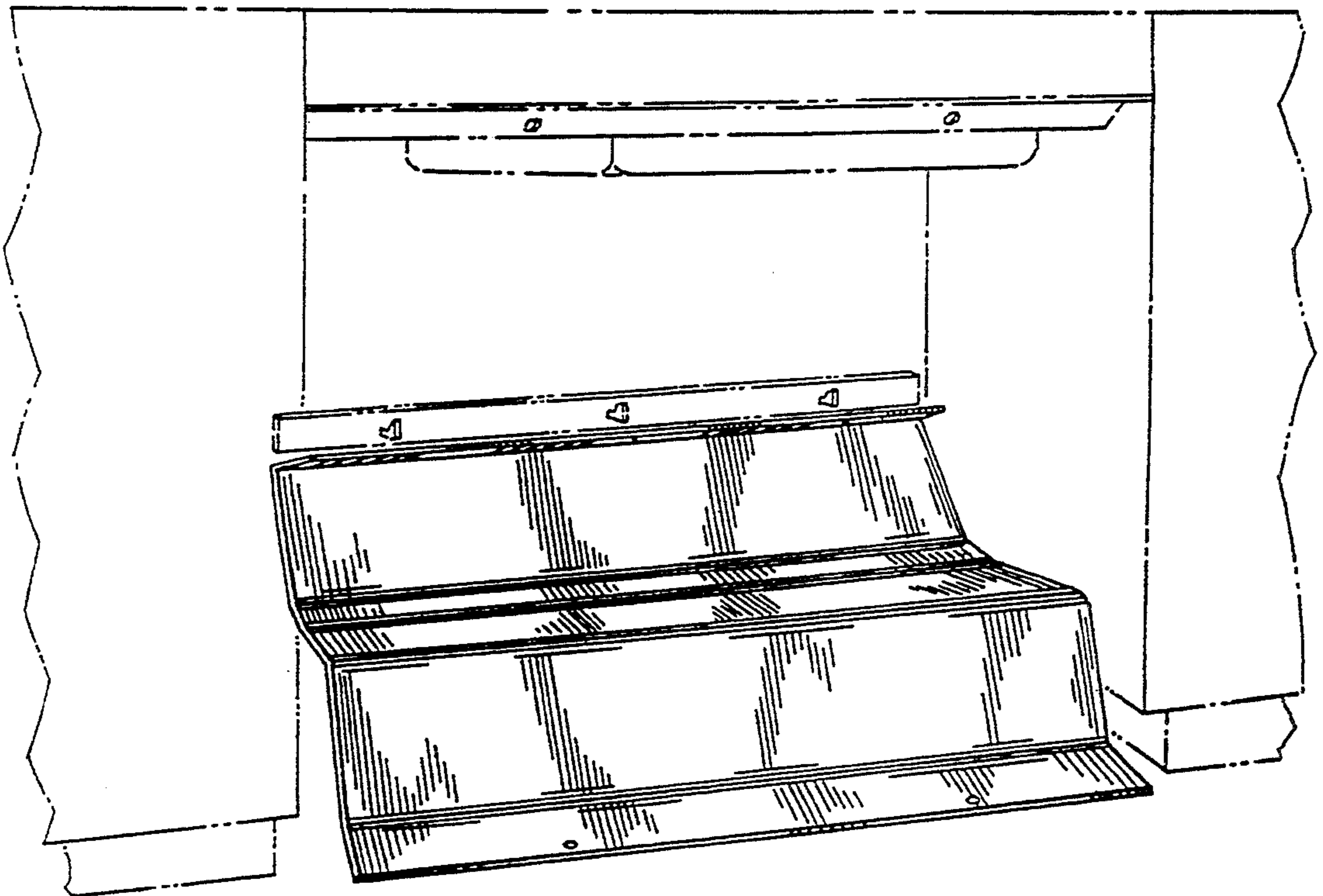
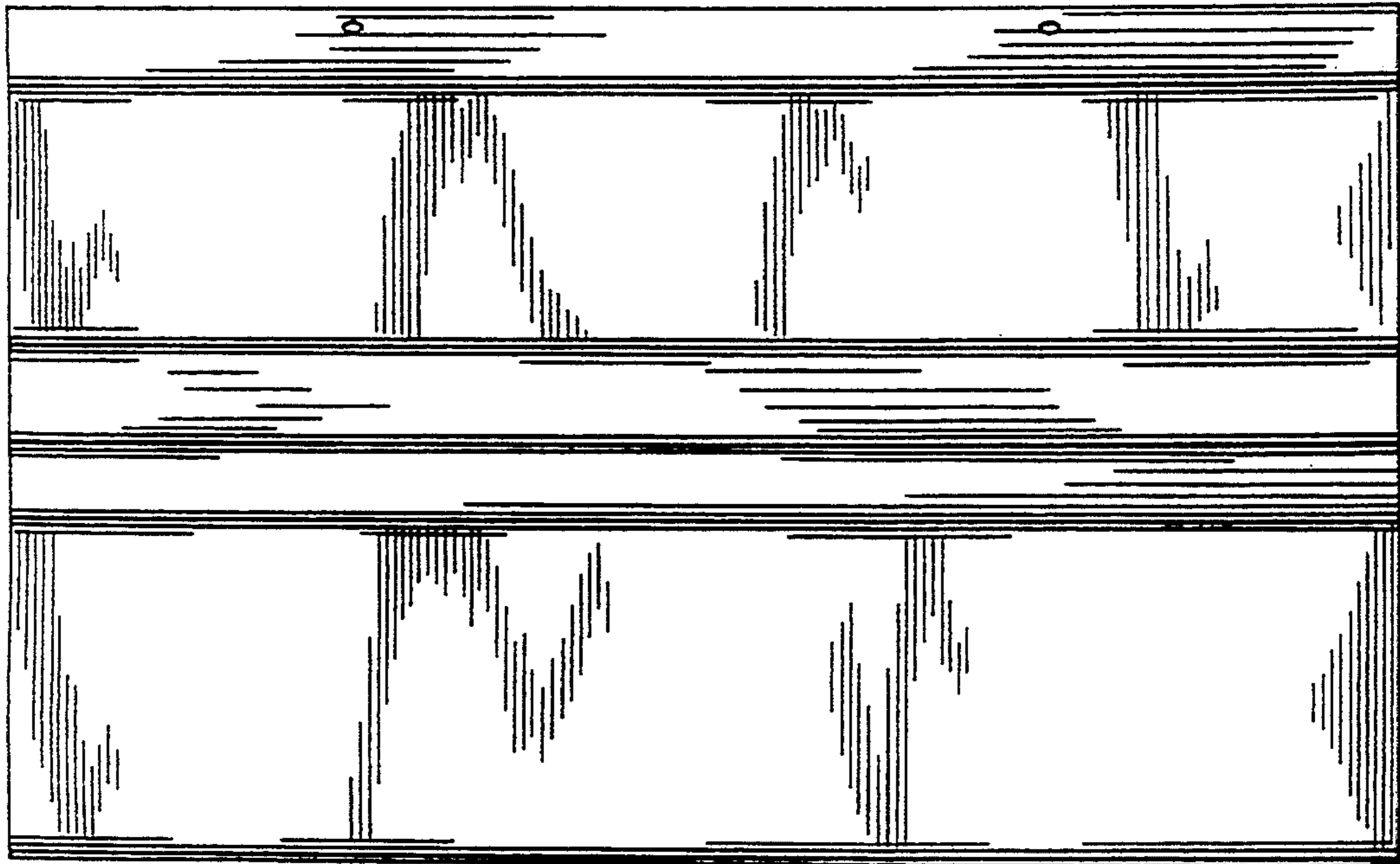


FIG. 6.