



US00D358633S

United States Patent [19]

[11] Patent Number: Des. 358,633

McKeone

[45] Date of Patent: ** May 23, 1995

[54] TUB RIM

[75] Inventor: William C. McKeone, Sheboygan Falls, Wis.

[73] Assignee: Kohler Co., Kohler, Wis.

[**] Term: 14 Years

[21] Appl. No.: 15,086

[22] Filed: Nov. 5, 1993

[52] U.S. Cl. D23/304; D25/136

[58] Field of Search D23/304-307; 4/538, 539, 546, 554, 575.1, 579, 584, 589, 590, 591, 594, 593, 592; D25/119, 164, 136

[56] References Cited

U.S. PATENT DOCUMENTS

D. 26,083	9/1896	Buick	D23/305
D. 106,335	10/1937	Tschappat	D23/307
D. 331,456	1/1992	Levien	D23/304
4,473,911	10/1984	Germain	4/605 X

OTHER PUBLICATIONS

Undated drawings of a Kohler Co. bathtub with a terraced rim, admitted prior art.
 Two undated pages of a Duker ad for a Rio Grande oval bathtub, admitted prior art.
 An undated Kallista ad showing a Kalligraphos bathtub, admitted prior art.

An undated Simca ad showing a bidet and a water closet, admitted prior art.

Primary Examiner—A. Hugo Word
Assistant Examiner—Eric Watterson
Attorney, Agent, or Firm—Quarles & Brady

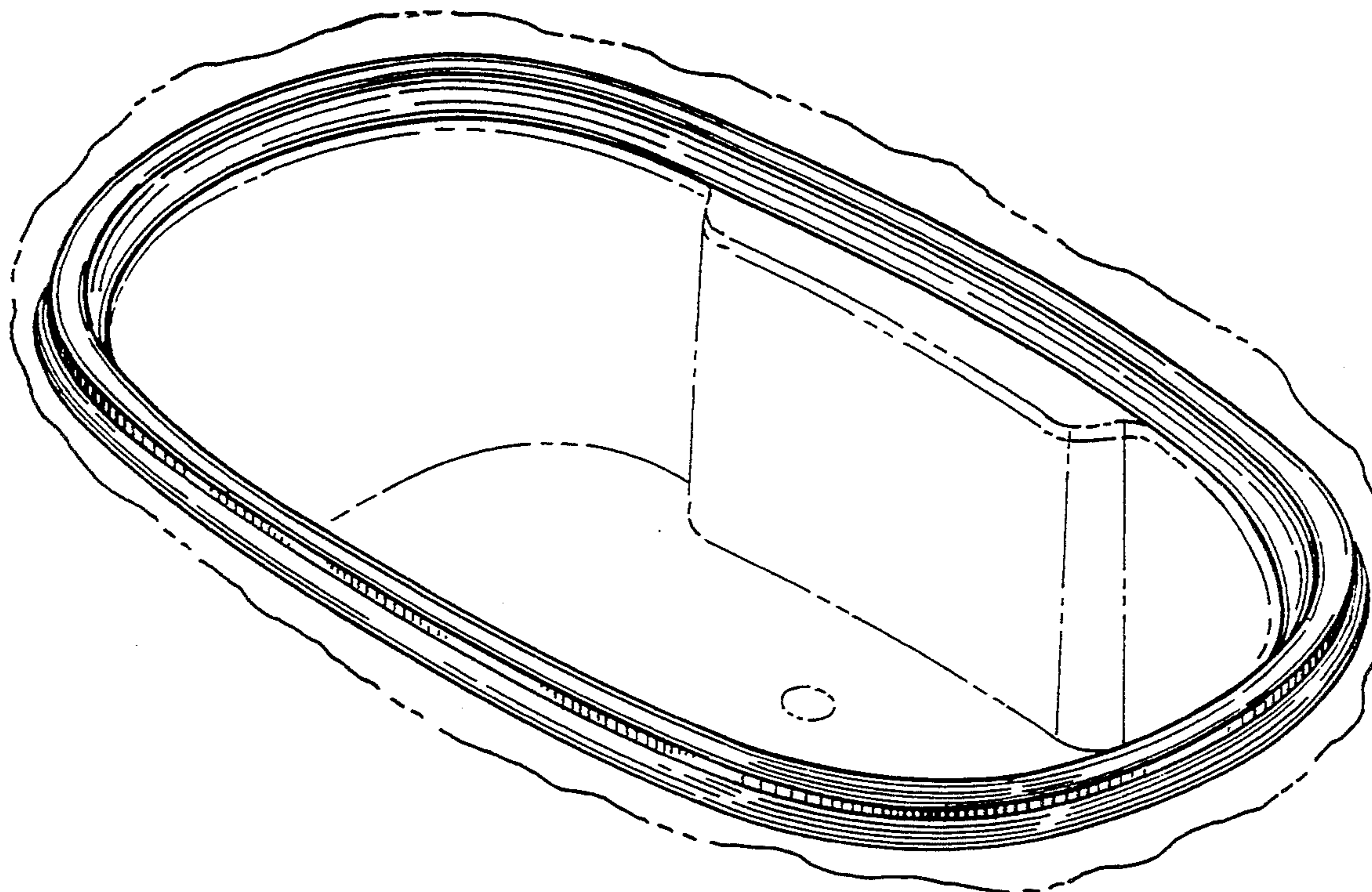
[57] CLAIM

The ornamental design for a tub rim, as shown and described.

DESCRIPTION

FIG. 1 is a perspective view taken from the top, front and right side of a tub rim embodying my new design; FIG. 2 is a top plan view thereof; FIG. 3 is a front elevational view thereof, the rear being the same as the front; FIG. 4 is a right side elevational view thereof, the left side being the same as the right side; FIG. 5 is a cross-sectional view taken on line 5—5 of FIG. 2; FIG. 6 is a cross-sectional view taken on line 6—6 of FIG. 2; and, FIG. 7 is an enlarged cross-sectional view taken on line 7—7 of FIG. 2.

The fragmentary broken line representations of a portion of a bathroom island surrounding the tub in FIG. 1, and of a tub body in FIGS. 1, 2, 5, 6 and 7 are for the purpose of illustration only and form no part of the claimed design.



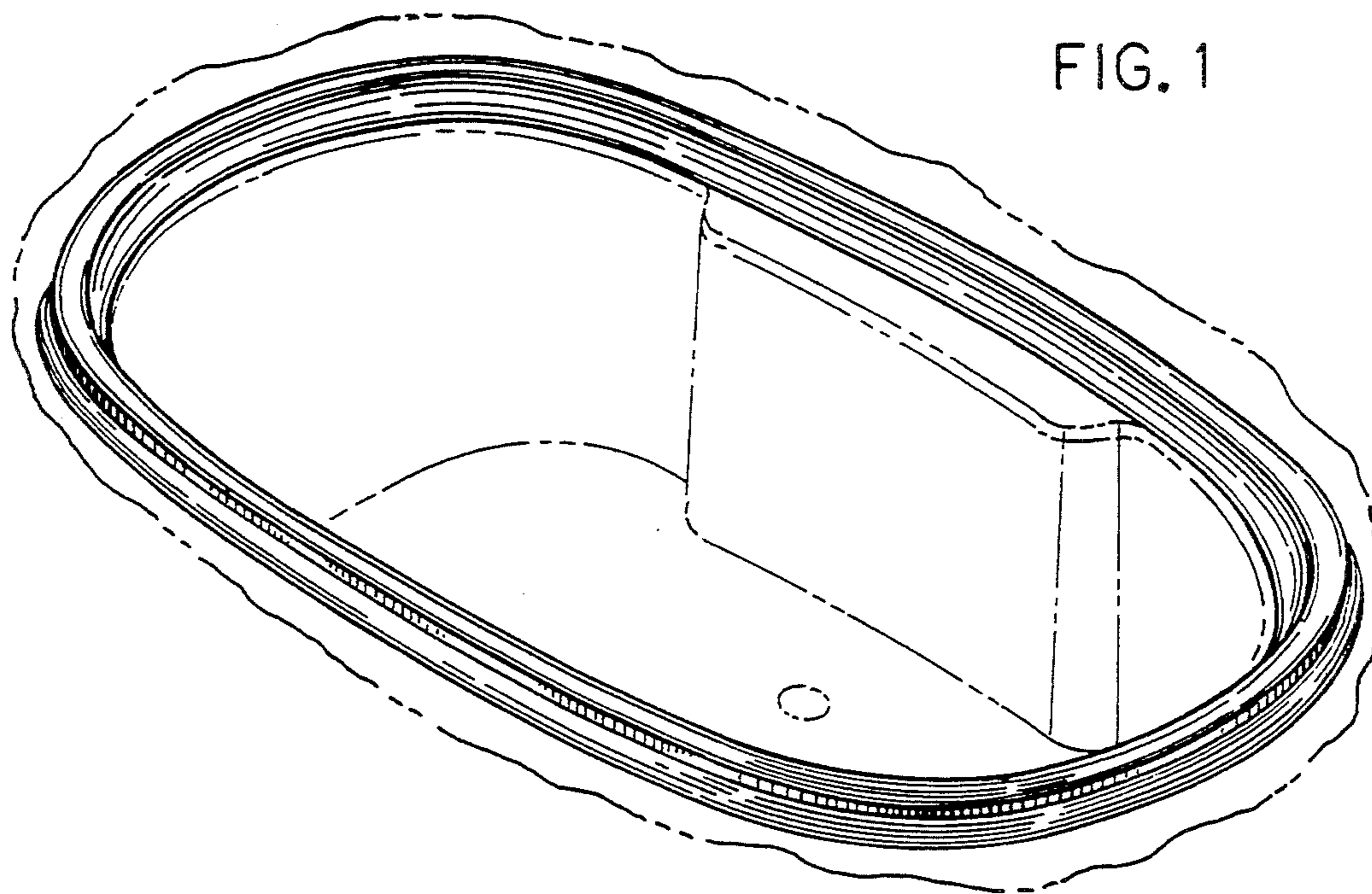


FIG. 2

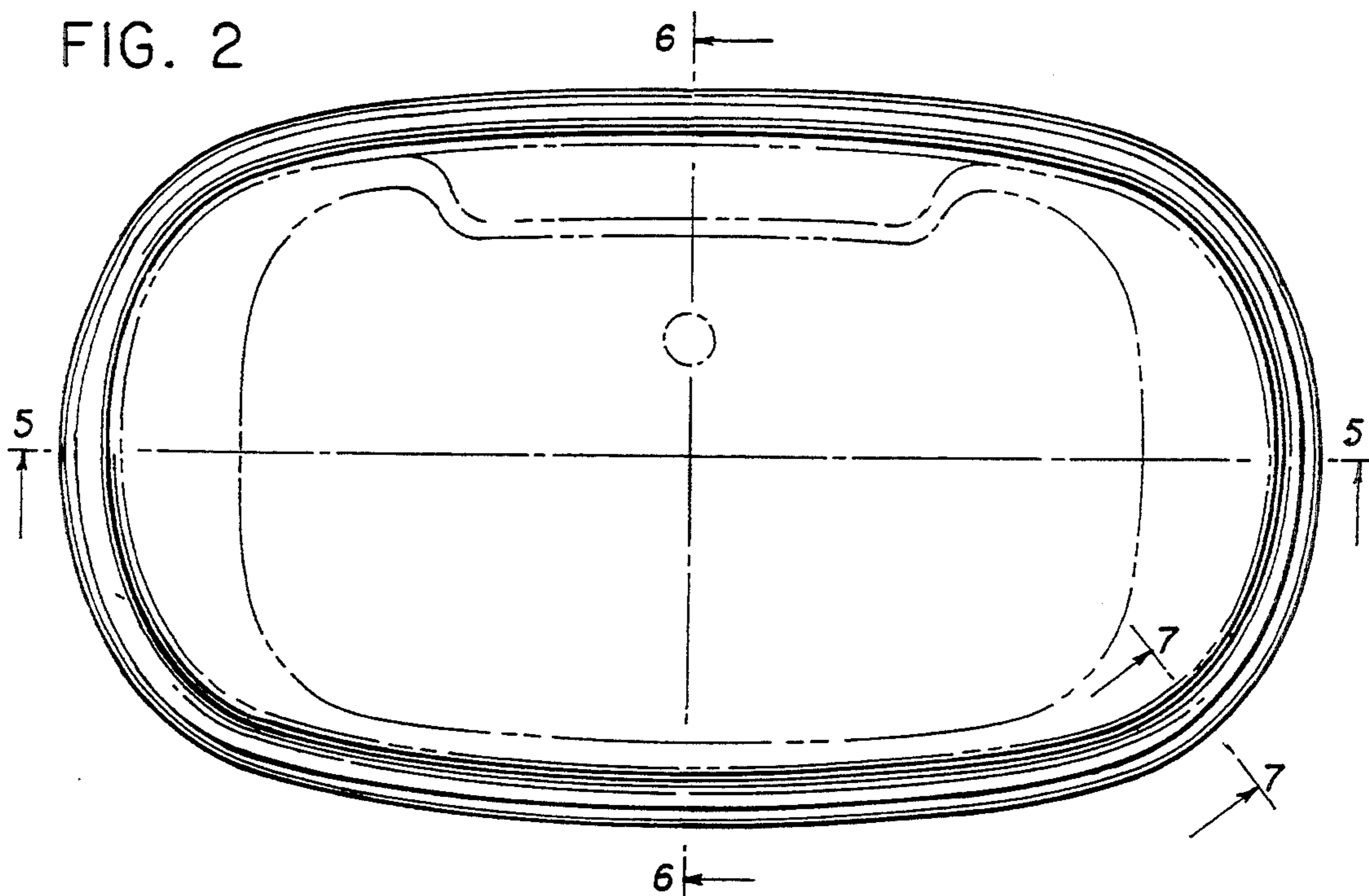


FIG. 3



FIG. 4

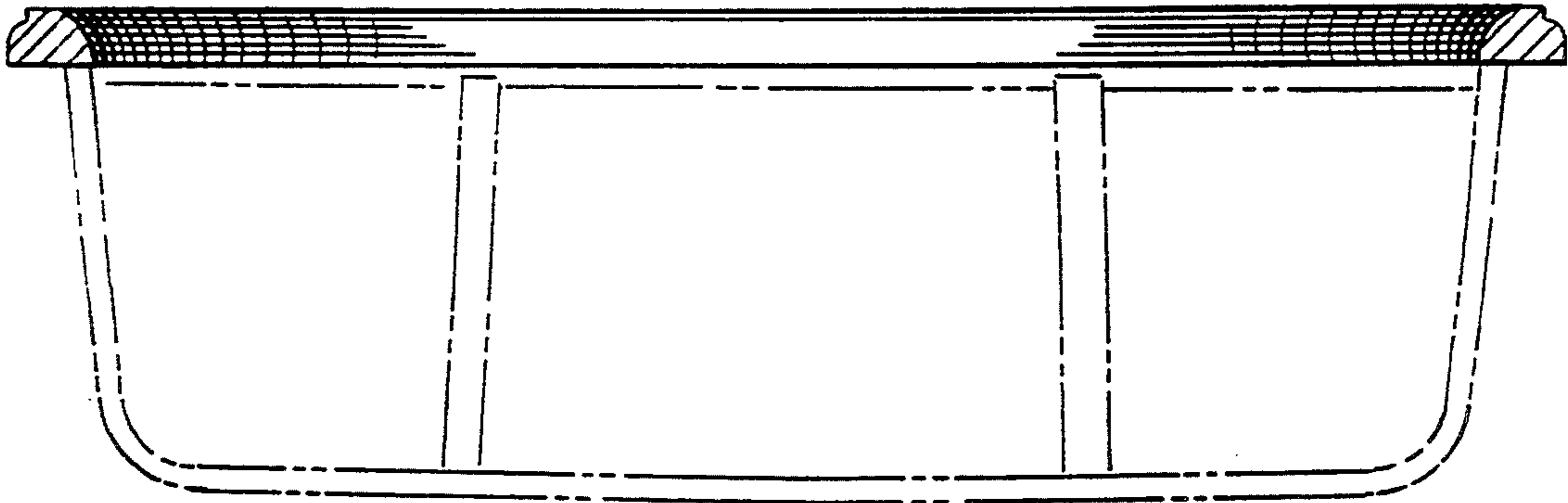
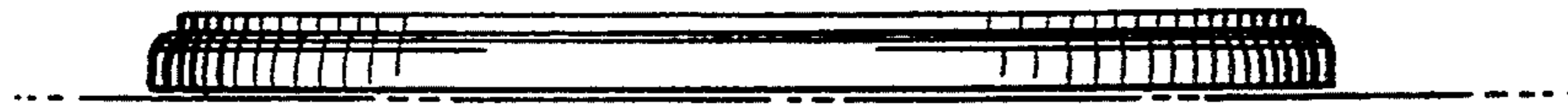


FIG. 5

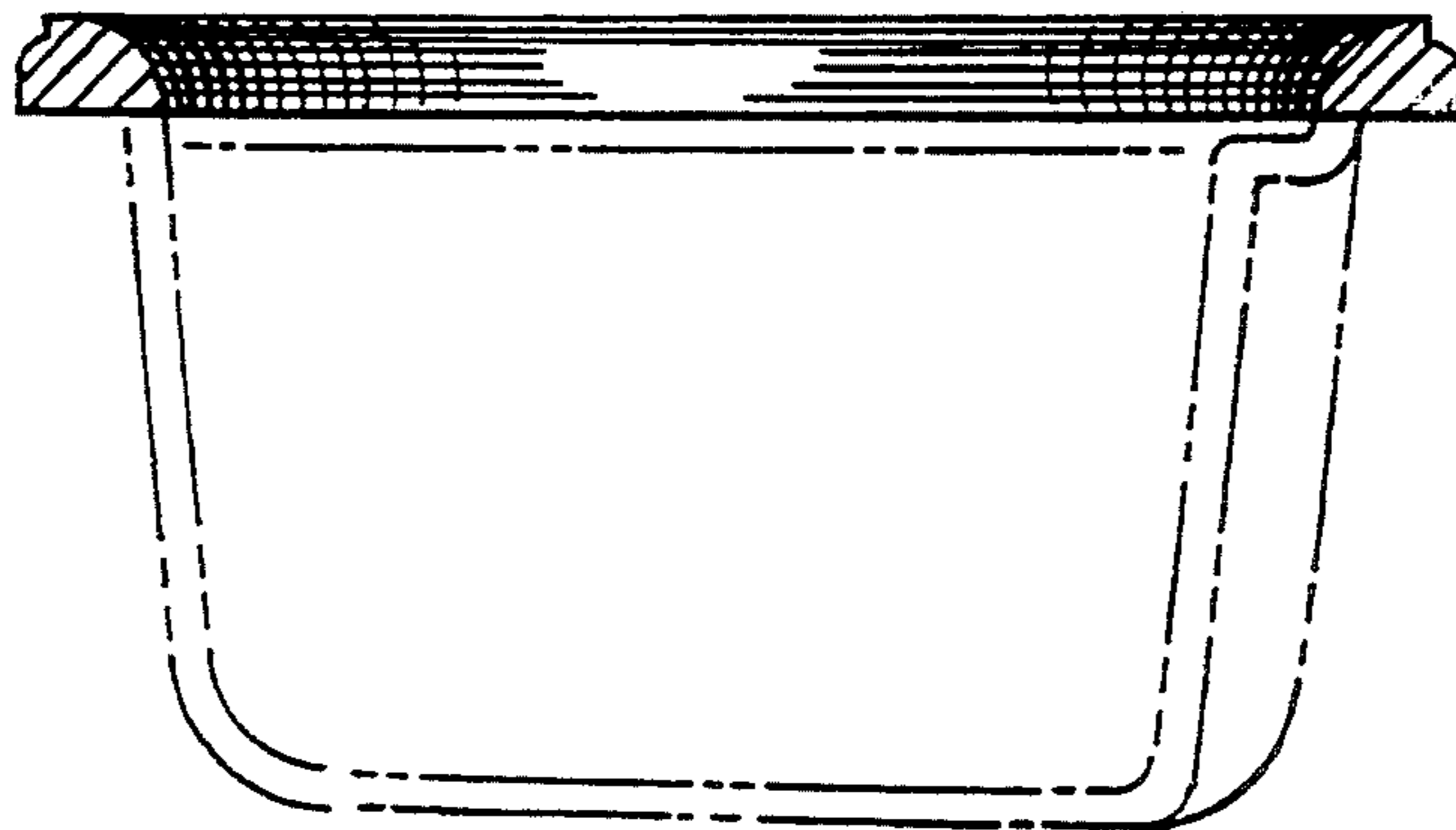


FIG. 6

FIG. 7

