



US00D358632S

United States Patent [19]

Swick

[11] Patent Number: **Des. 358,632**

[45] Date of Patent: **** May 23, 1995**

[54] **OSMOSIS TREATMENT UNIT**

[76] Inventor: **Dennis L. Swick**, 2921-140 W. MacArthur Blvd., Santa Ana, Calif. 92704

[**] Term: **14 Years**

[21] Appl. No.: **15,379**

[22] Filed: **Nov. 16, 1993**

[52] U.S. Cl. **D23/207**

[58] Field of Search **D23/207, 208, 209, 210; 210/104, 97, 198.1, 256.1, 257.2, 260-266, 321.6, 321.7, 416.3**

[56] **References Cited**

U.S. PATENT DOCUMENTS

D. 295,888	5/1988	Schulein et al.	D23/207
D. 306,339	2/1990	Slovak	D23/207
D. 312,679	12/1990	Carrano et al.	D23/207
D. 313,642	1/1991	Carrano et al.	D23/207
D. 325,767	4/1992	Ostlund	D23/207
3,746,170	7/1973	Bloom et al.	D23/207

4,842,724	6/1989	Bray et al.	210/416.3
5,268,093	12/1993	Hembree et al.	210/266
5,290,442	3/1994	Clark	210/266

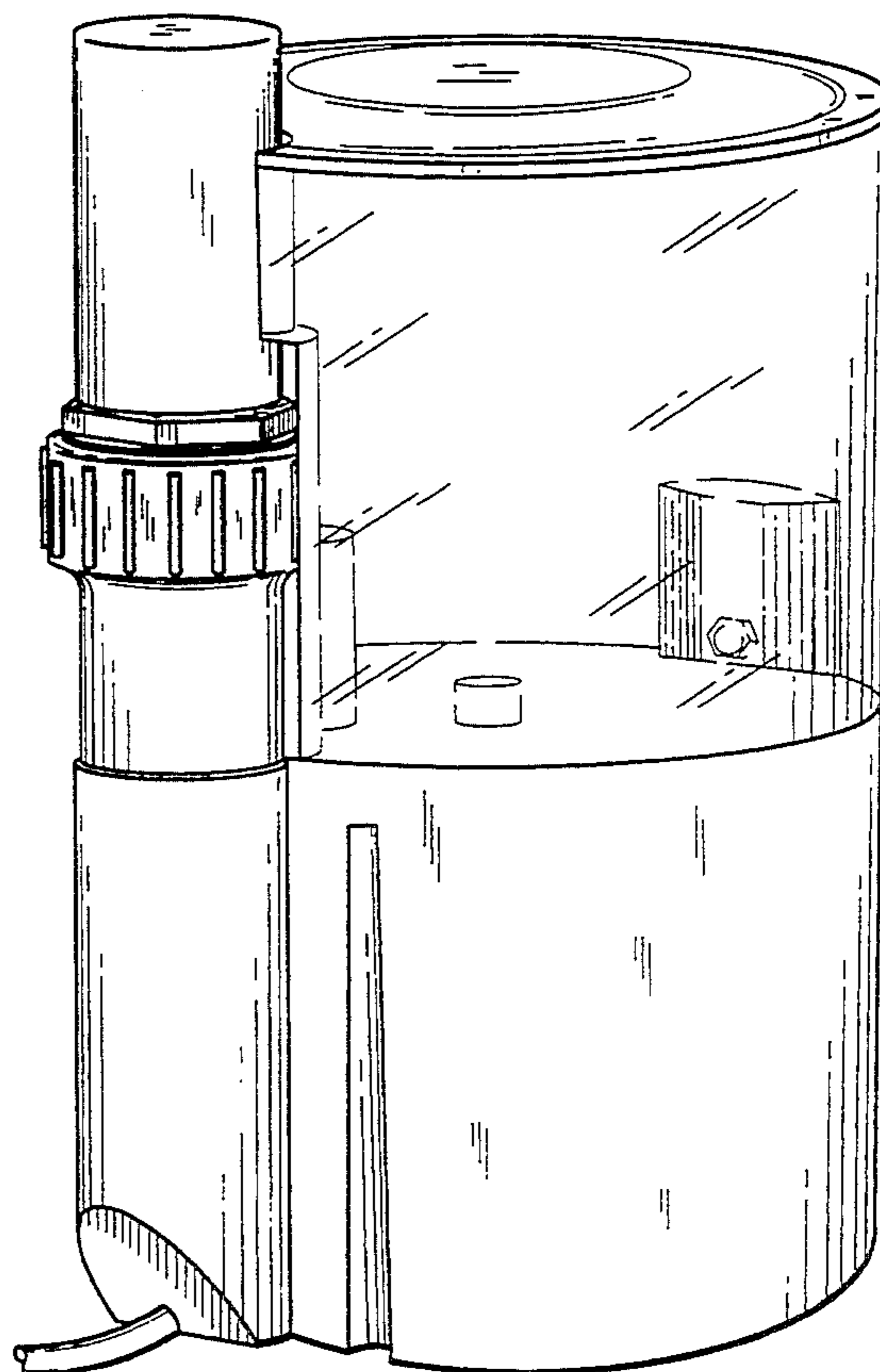
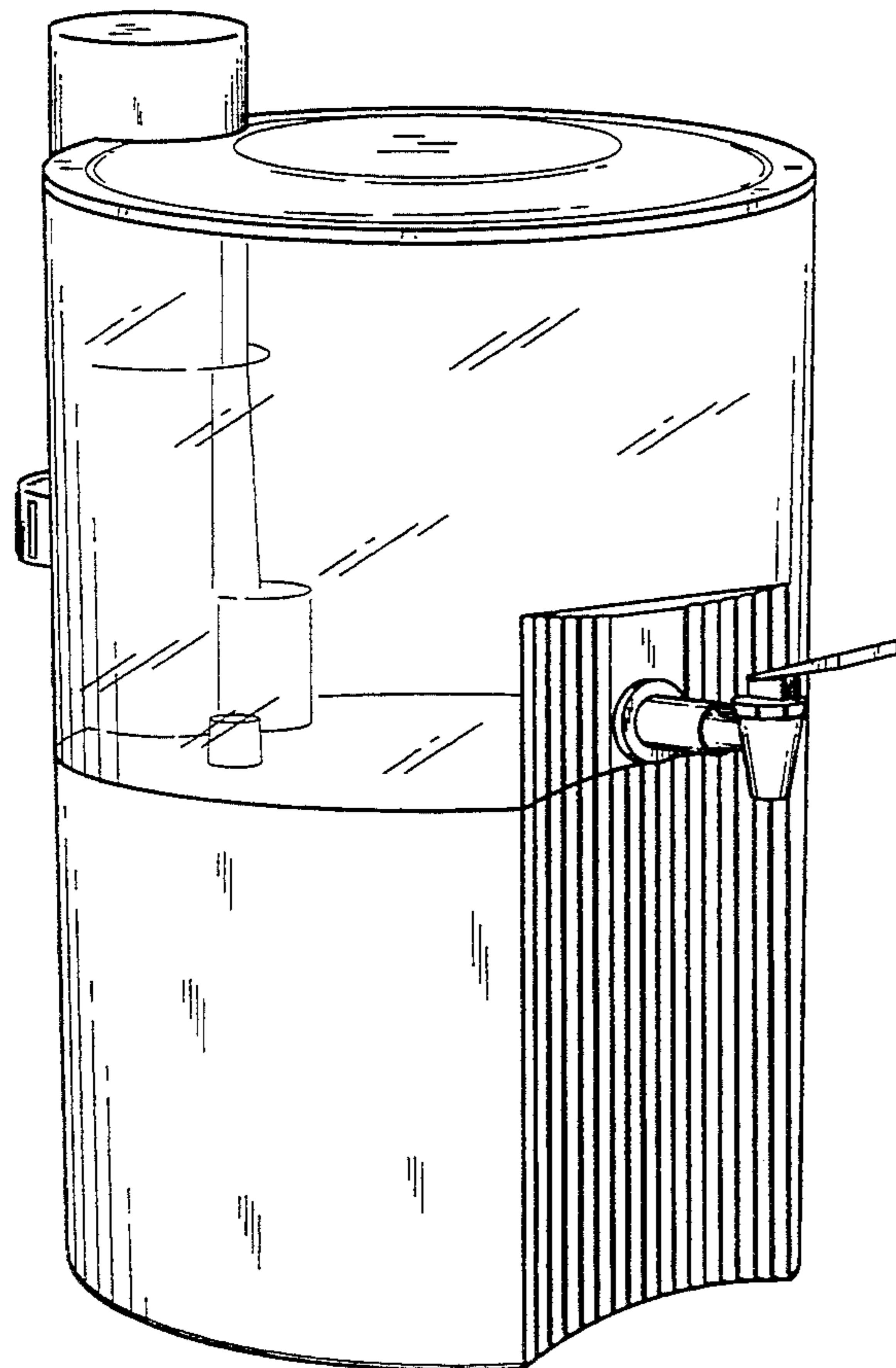
Primary Examiner—James M. Gandy
Assistant Examiner—M. Brown
Attorney, Agent, or Firm—Knobbe, Martens, Olson & Bear

[57] **CLAIM**

The ornamental design for an osmosis treatment unit, as shown and described.

DESCRIPTION

FIG. 1 is a front elevation view of the osmosis treatment unit showing my new design; FIG. 2 is a rear elevation view of the unit of FIG. 1; FIG. 3 is a left side view of the unit of FIG. 1; FIG. 4 is a top plan view of the unit of FIG. 1; FIG. 5 is a bottom plan view of the unit of FIG. 1; FIG. 6 is a left front perspective view of the unit of FIG. 1; and, FIG. 7 is a left rear perspective view of the unit of FIG. 1.



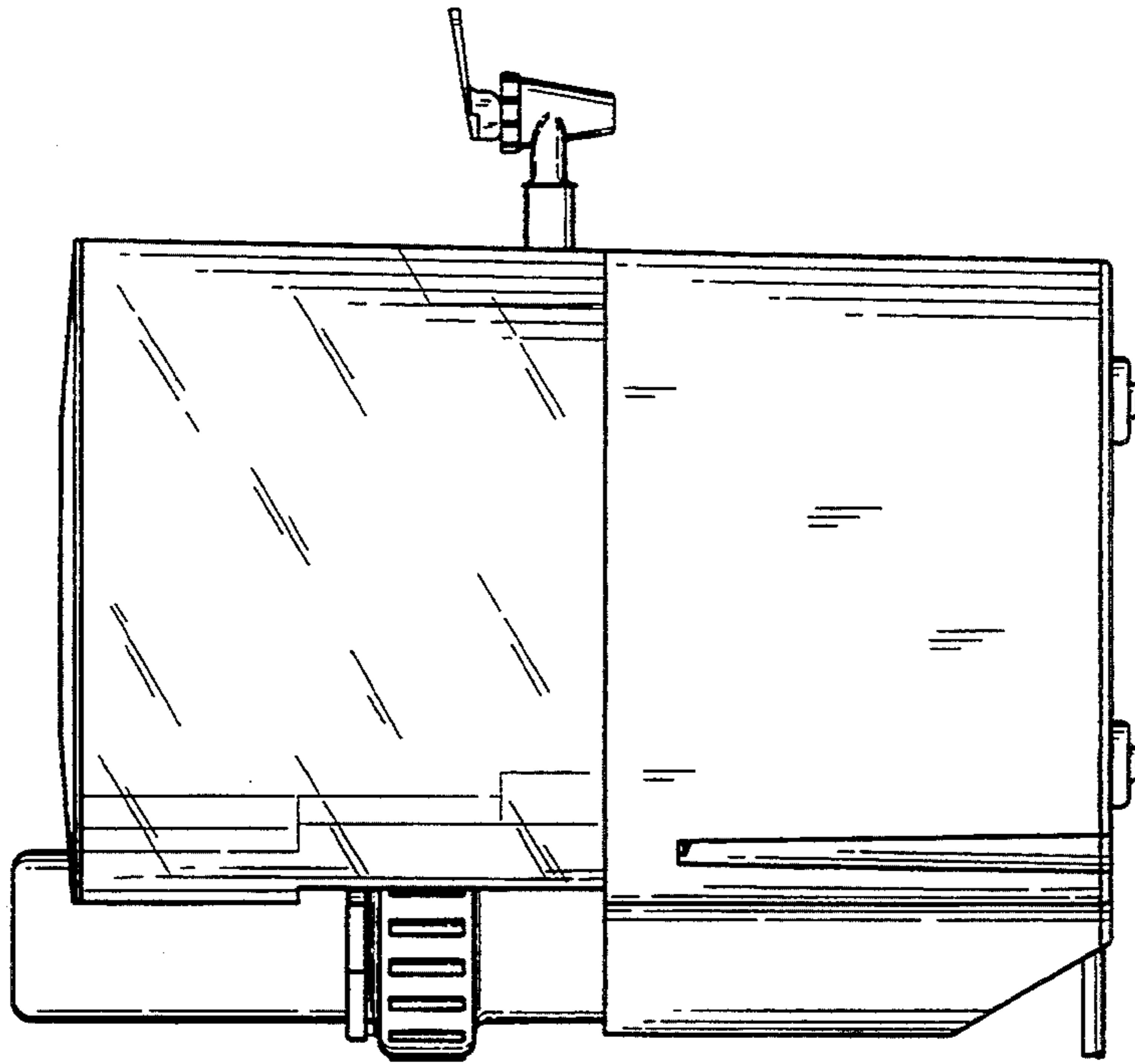


FIG. 3

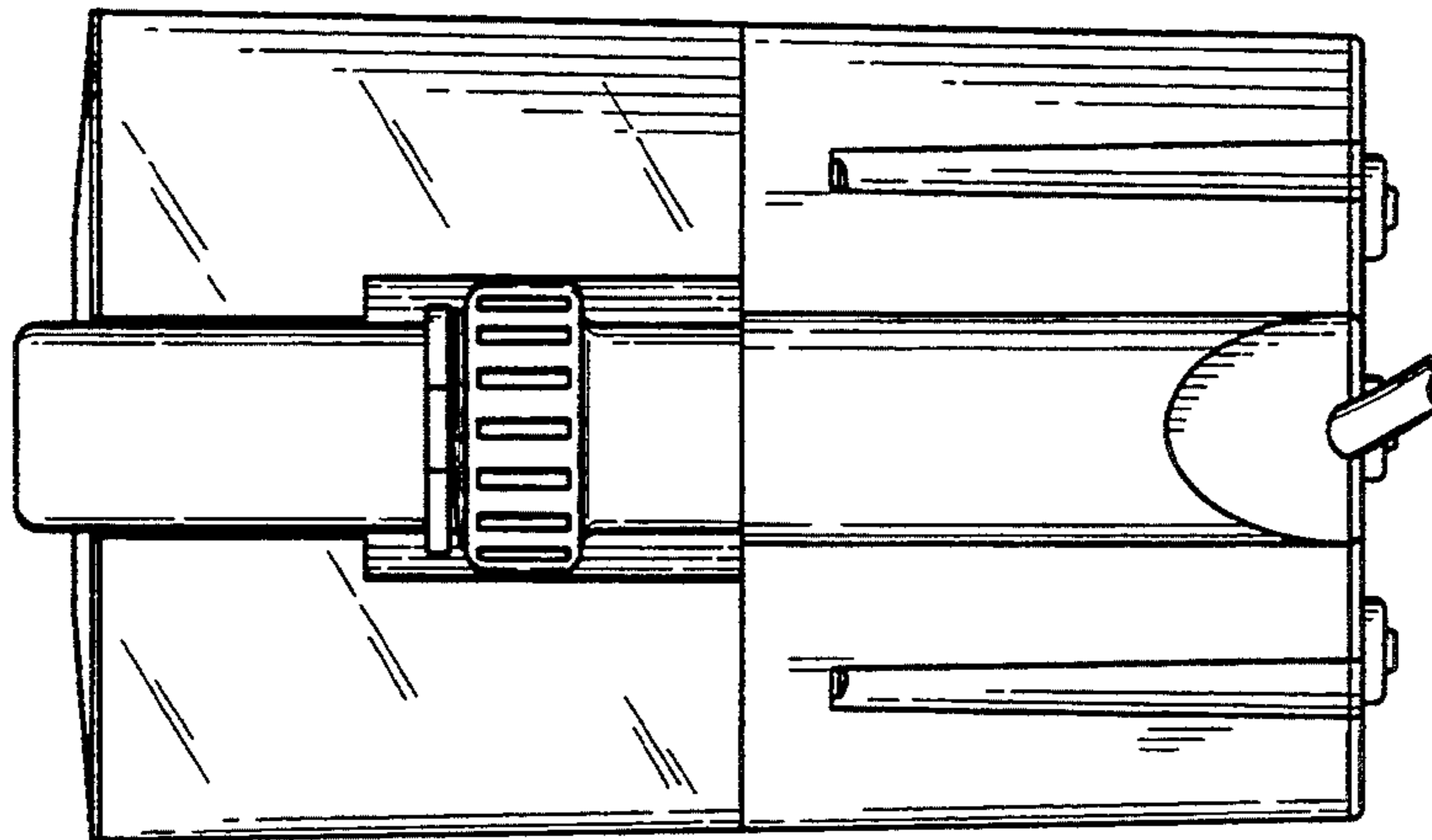


FIG. 2

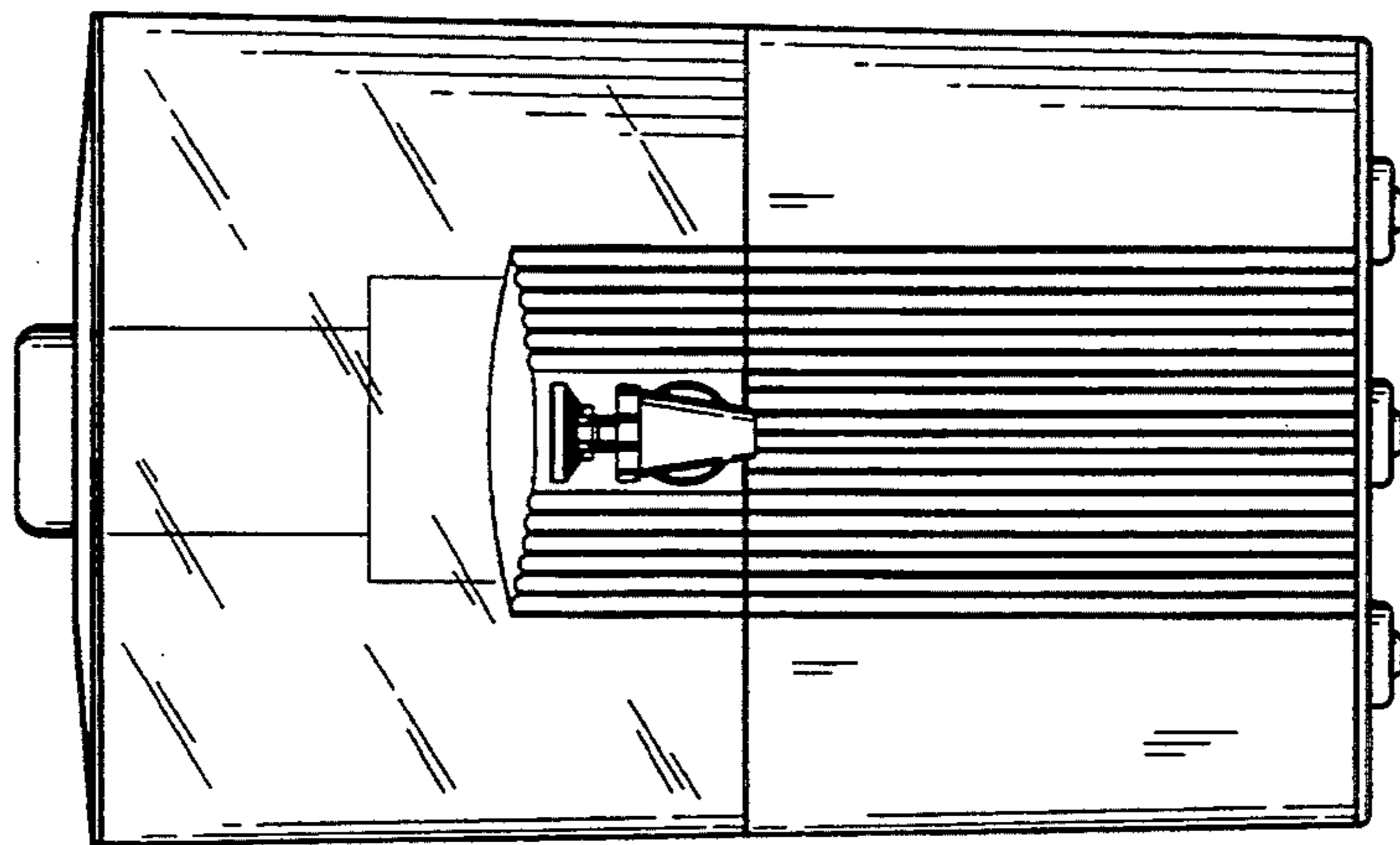


FIG. 1

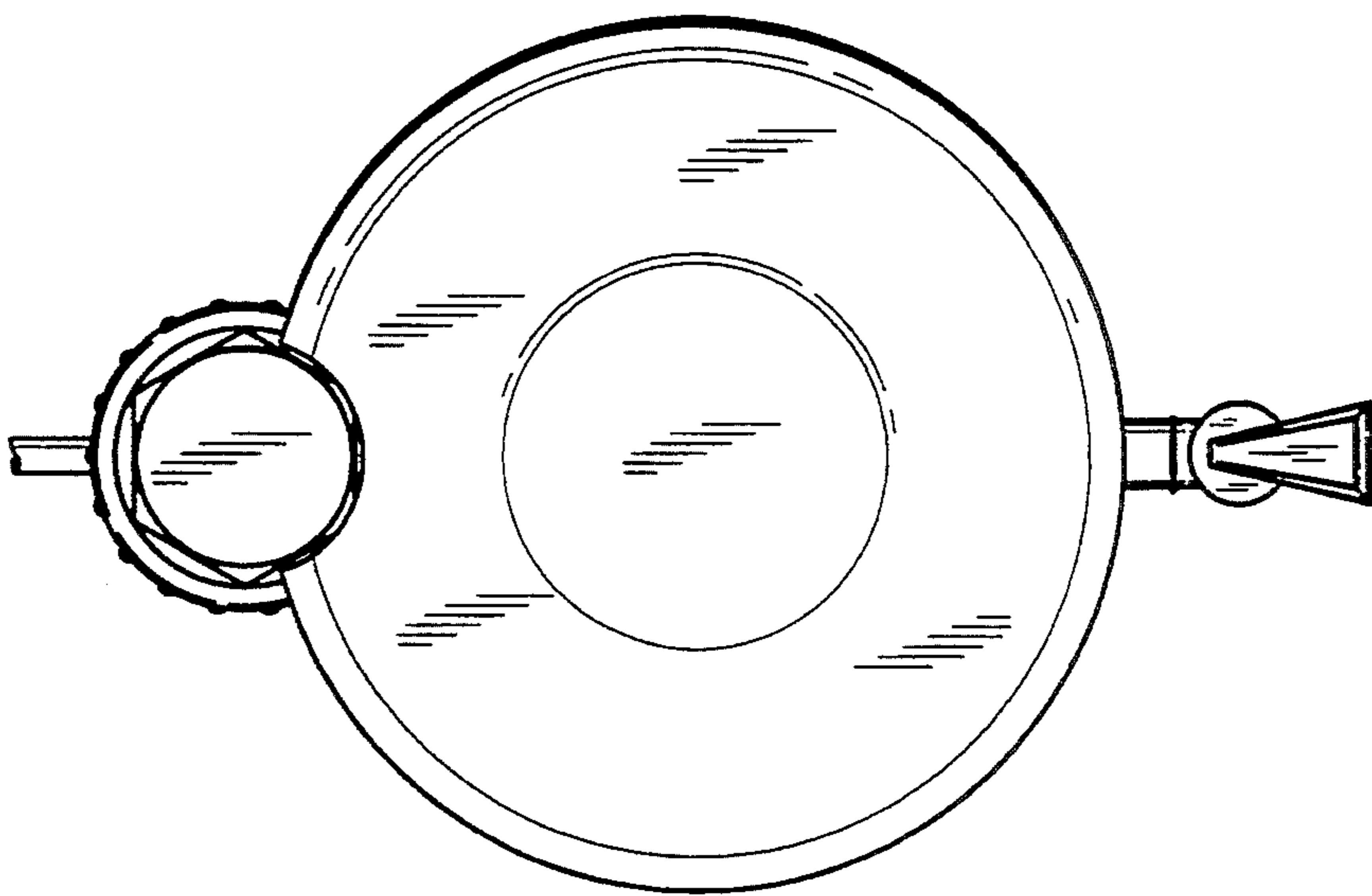


FIG. 4

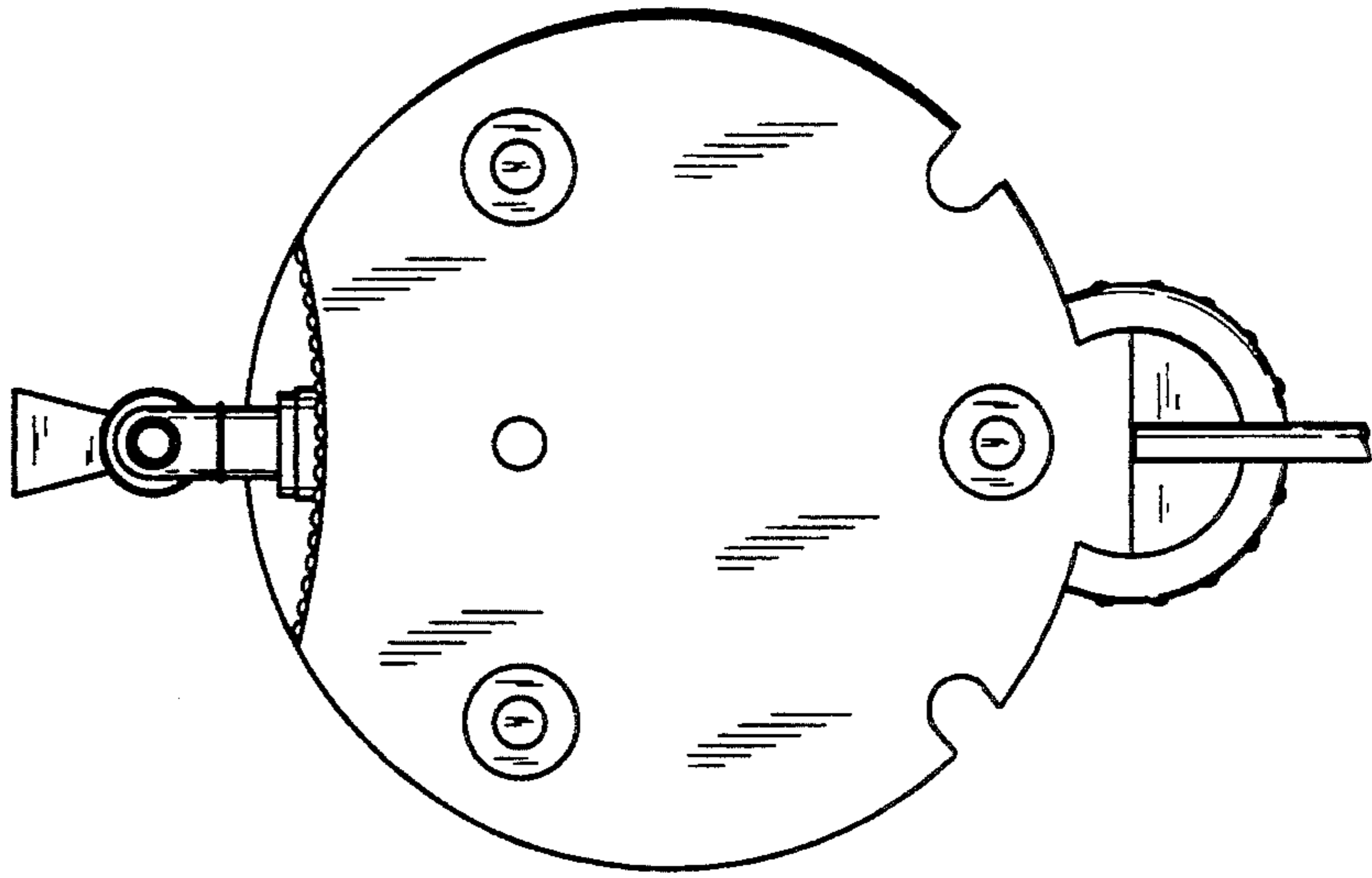


FIG. 5

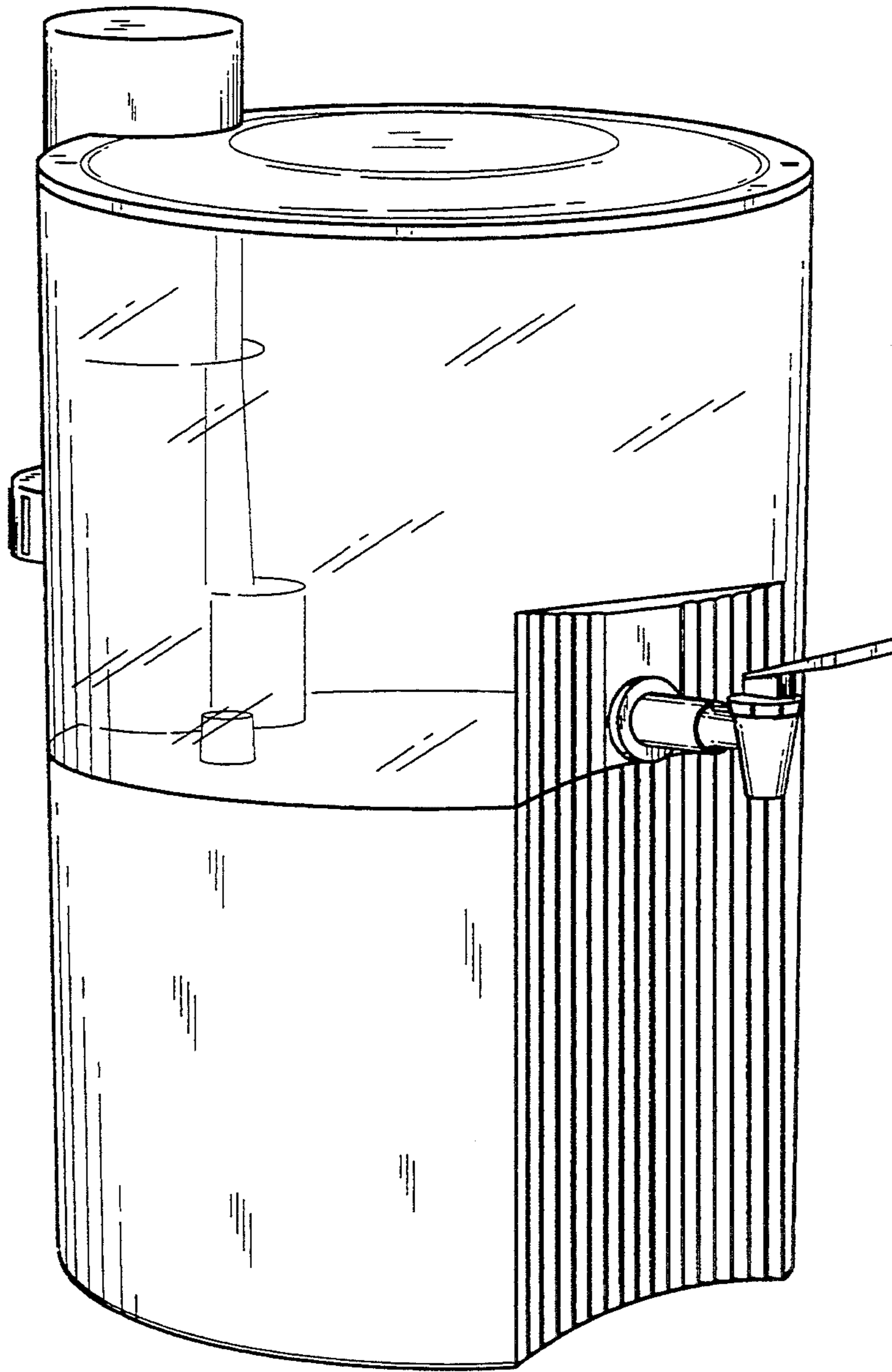


FIG. 6

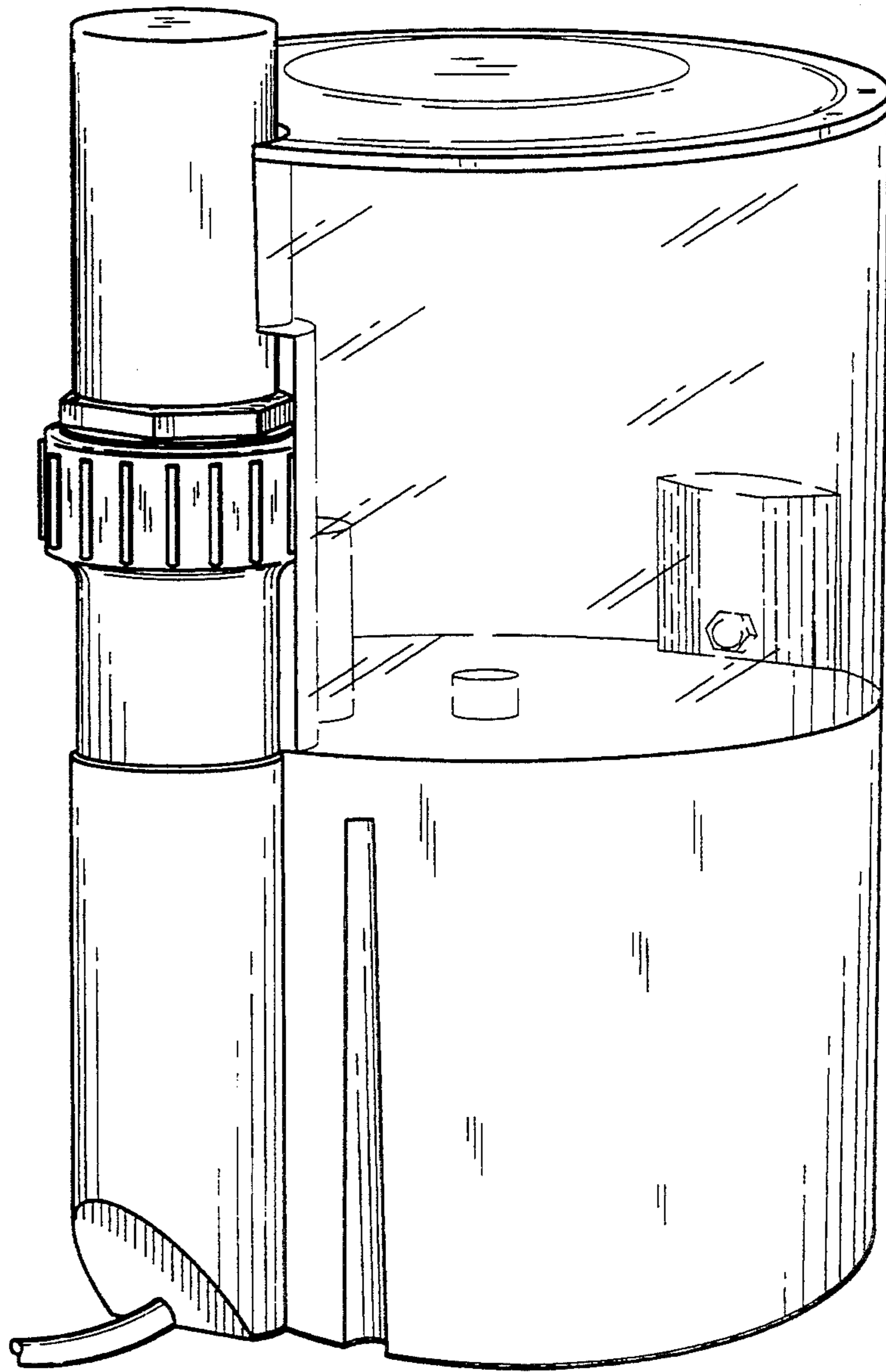


FIG. 7