



US00D358627S

United States Patent [19]

[11] Patent Number: **Des. 358,627**

Monneret

[45] Date of Patent: **** May 23, 1995**

[54] **OUTDOOR CHILD'S PLAY UNIT**

[75] Inventor: **Alain Monneret, Voiteur, France**

[73] Assignee: **Monneret Jouets, Lons-le-Saunier, France**

[**] Term: **14 Years**

[21] Appl. No.: **11,011**

[22] Filed: **Jul. 12, 1993**

[30] **Foreign Application Priority Data**

Jan. 18, 1993 [XH] Hague Agreement DM/024947

[52] U.S. Cl. **D21/244**

[58] Field of Search **D21/243-245;**
472/116, 126; 482/35, 36

[56] **References Cited**

U.S. PATENT DOCUMENTS

D. 244,704 6/1977 Smyrni et al. D21/244
D. 268,693 4/1983 Works D21/244
D. 268,858 5/1983 Works D21/244

D. 274,450 6/1984 Gordon D21/244
D. 281,447 11/1985 Gordon D21/244
D. 347,458 5/1994 Cunard et al. D21/244 X
1,865,810 7/1932 Albach 472/126
4,343,464 8/1982 Dose 472/116

OTHER PUBLICATIONS

ChildLife; Sep. 1992; p. 10; "Sandcastle Play Systems", lower picture.

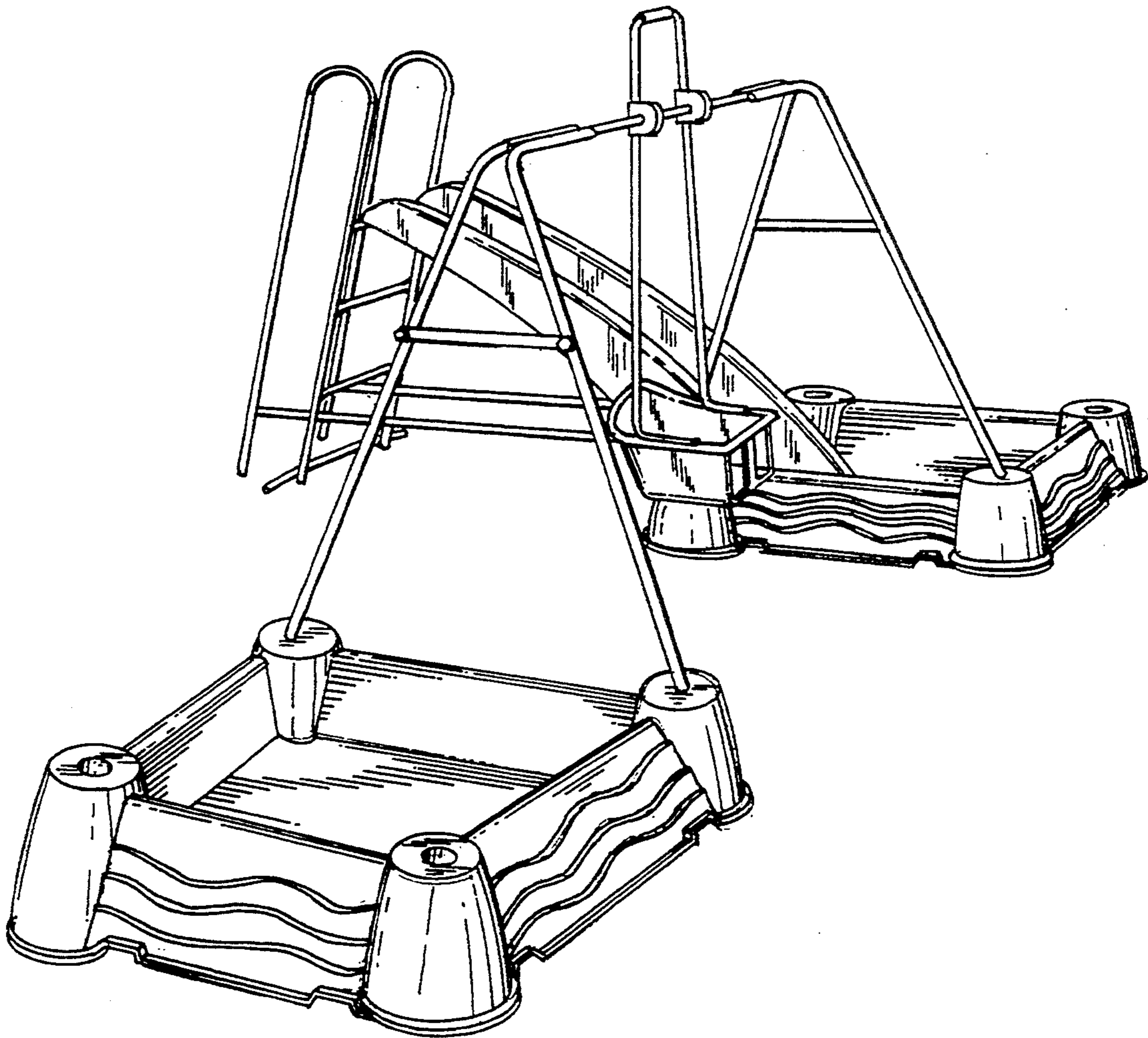
Primary Examiner—Terry A. Wallace
Assistant Examiner—Mitchell I. Siegel
Attorney, Agent, or Firm—Young & Thompson

[57] **CLAIM**

The ornamental design for a outdoor child's play unit, as shown and described.

DESCRIPTION

FIG. 1 is a top, front and left side perspective view of an outdoor child's play unit showing our new design; FIG. 2 is a top, rear and right side perspective thereof; and, FIG. 3 is a top plan view thereof.



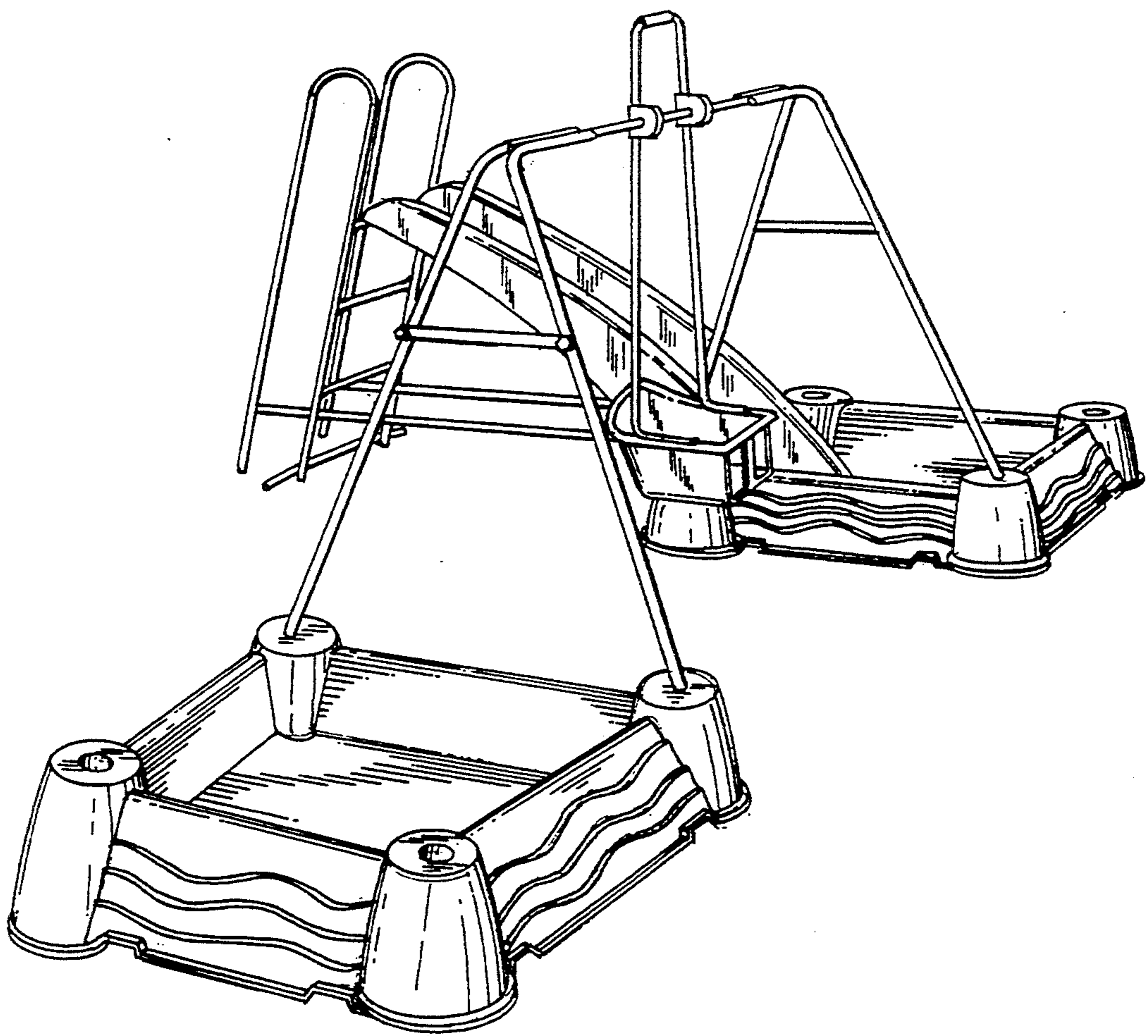


FIG. 1

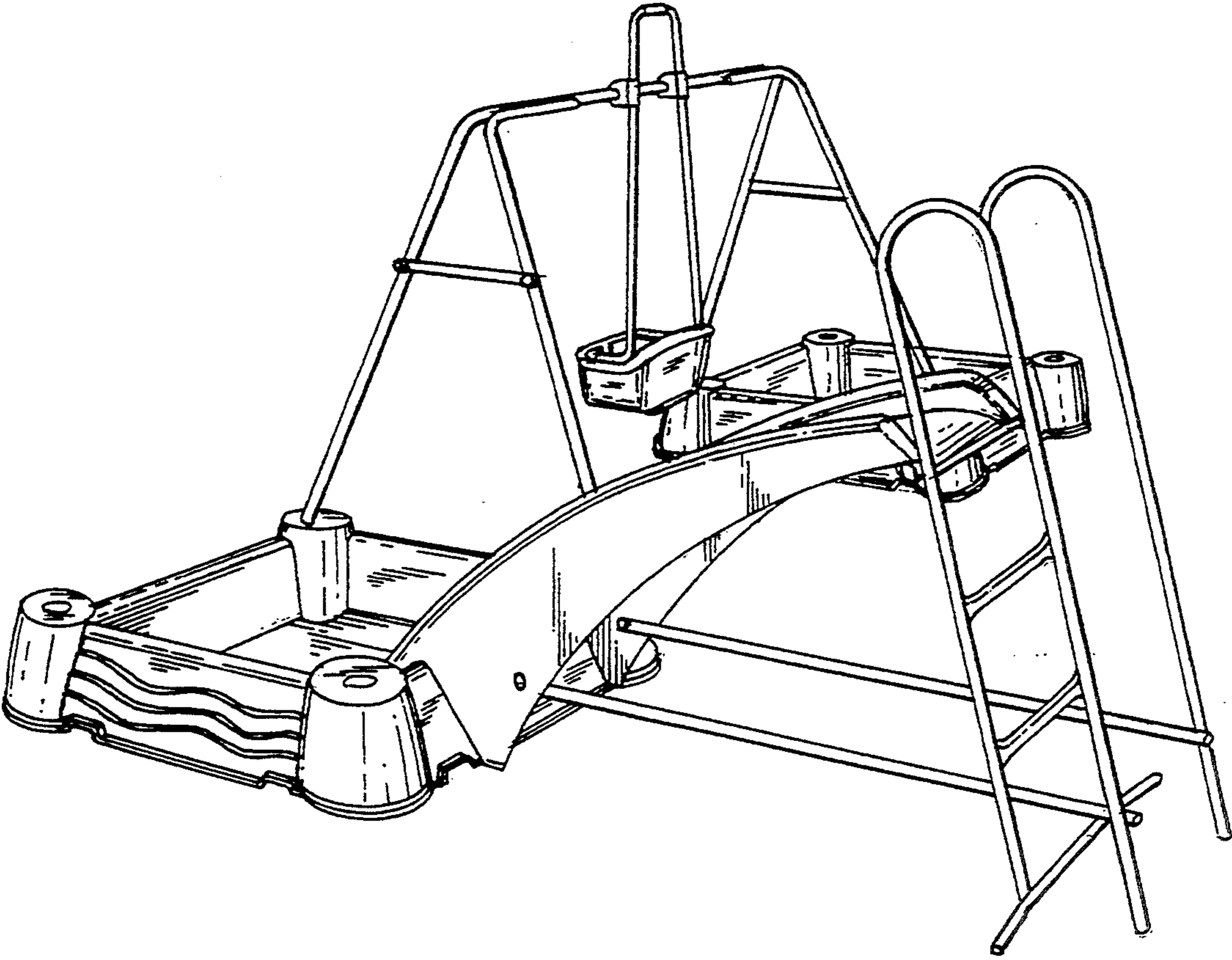


FIG. 2

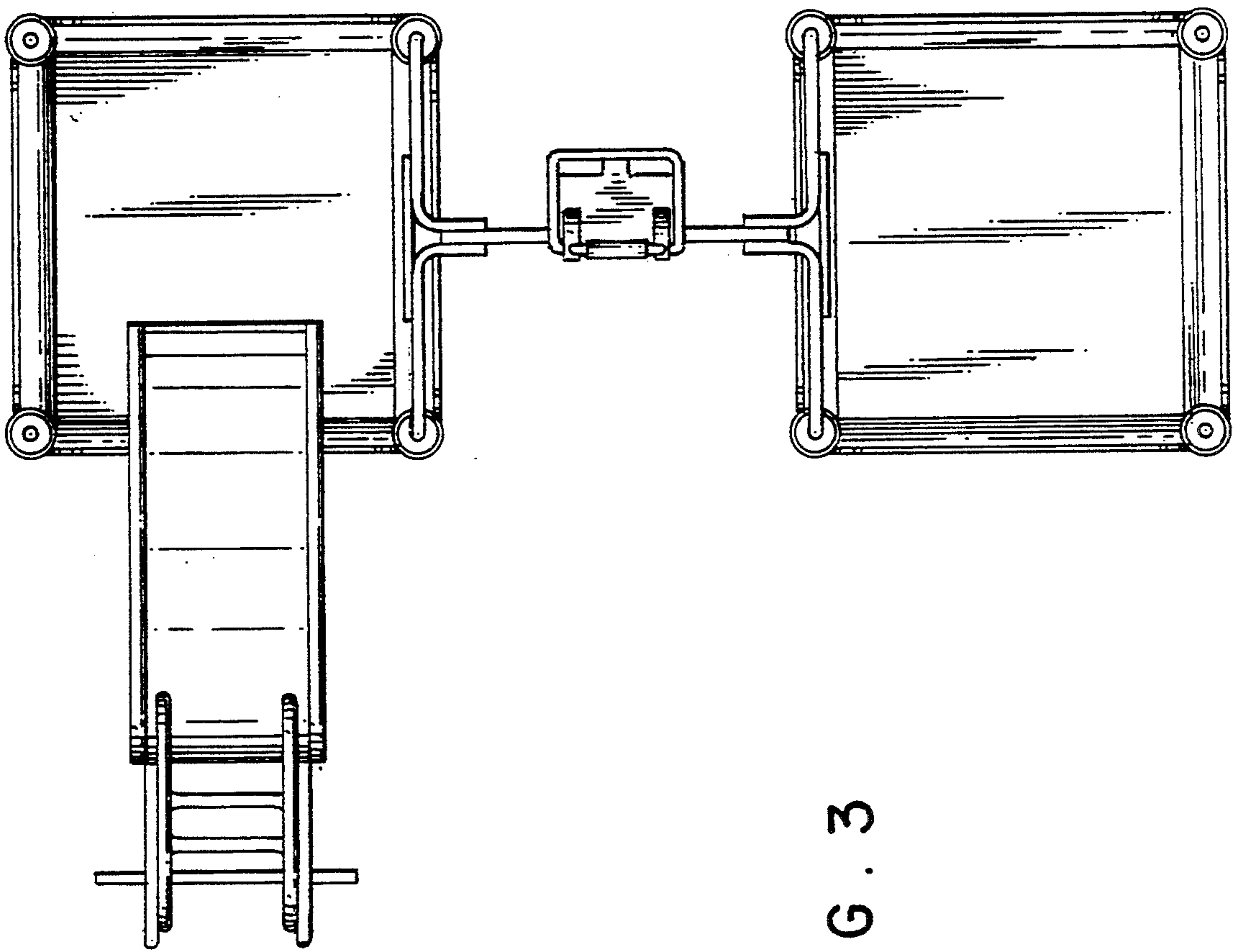


FIG. 3