



US00D358625S

**United States Patent** [19]  
**Enriquez, Jr.**

[11] **Patent Number: Des. 358,625**  
[45] **Date of Patent: \*\* May 23, 1995**

[54] **PHYSICAL EXERCISER**

[76] **Inventor: Eduardo Enriquez, Jr., 9501 W. 47th Ter., Merriam, Kans. 66203**

[\*\*] **Term: 14 Years**

[21] **Appl. No.: 5,939**

[22] **Filed: Mar. 15, 1993**

[52] **U.S. Cl. .... D21/191**

[58] **Field of Search ..... D21/191, 195, 198; 482/121, 122, 124, 125, 131, 133, 134**

[56] **References Cited**

**U.S. PATENT DOCUMENTS**

Re. 32,547	11/1987	Reed et al. ....	482/124
4,588,186	5/1986	Calabrese .....	482/131
4,685,671	8/1987	Hagerman et al. ....	482/124
4,911,439	3/1990	Kuhl .....	482/124
4,955,608	9/1990	Dougherty et al. ....	482/124
5,062,642	11/1991	Berry et al. ....	482/122
5,176,377	1/1993	Wilkinson .....	482/125
5,253,639	10/1993	Johnston .....	482/131

**FOREIGN PATENT DOCUMENTS**

17279	12/1906	Norway .....	482/124
21490	of 1906	United Kingdom .....	482/124

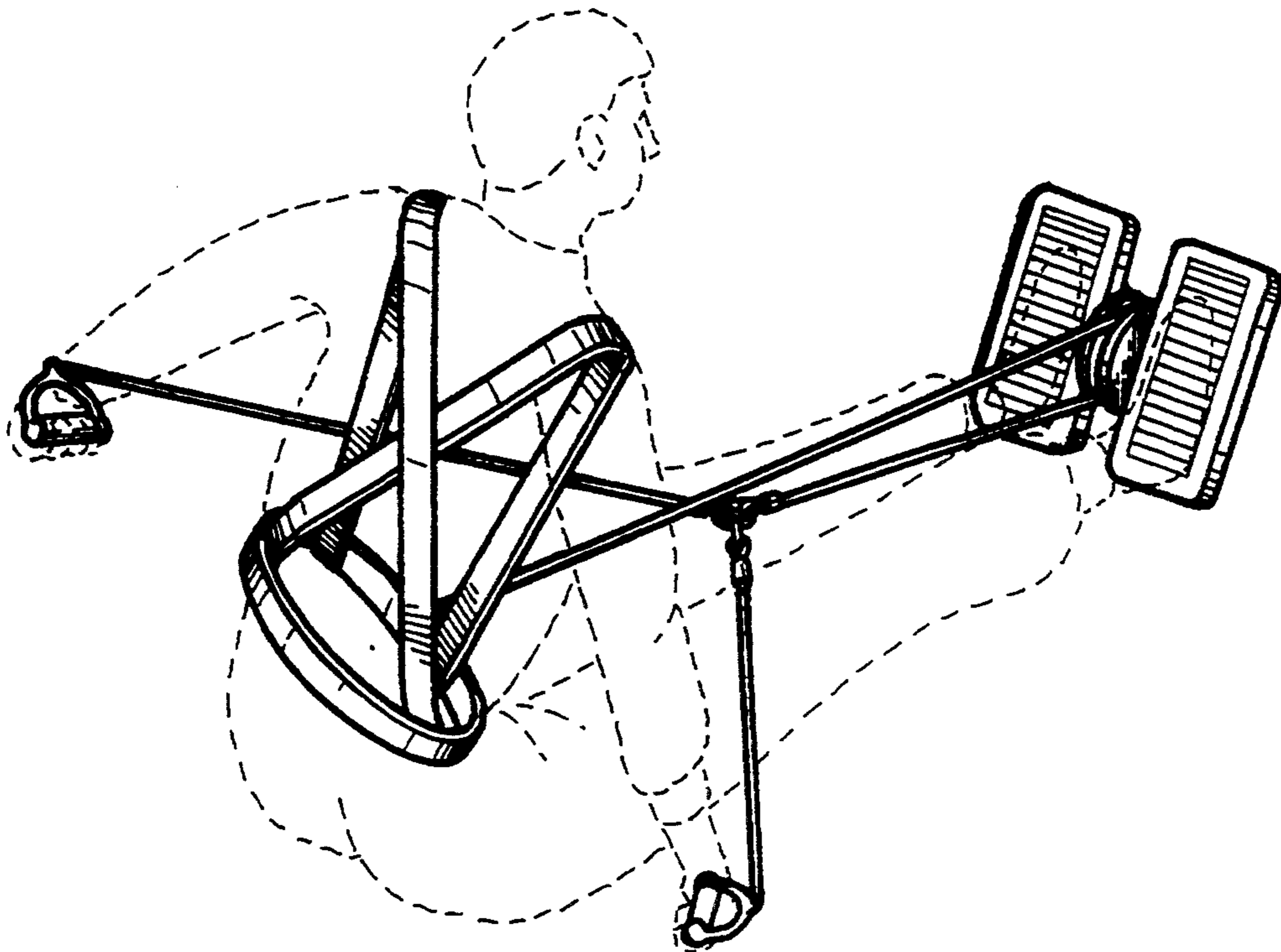
*Primary Examiner*—Prabhakar G. Deshmukh  
*Assistant Examiner*—Philip Hyder  
*Attorney, Agent, or Firm*—Terry M. Gernstein

[57] **CLAIM**

The ornamental design for a physical exerciser, as shown and described.

**DESCRIPTION**

FIG. 1 is an assembled perspective view of a physical exerciser showing my new design;  
FIG. 2 is an exploded front, top and side perspective view thereof;  
FIG. 3 is a front elevational view thereof;  
FIG. 4 is a rear elevational view thereof;  
FIG. 5 is a side elevational view thereof;  
FIG. 6 is a side elevational view thereof;  
FIG. 7 is a top plan view thereof; and,  
FIG. 8 is a bottom plan view thereof.  
The broken line showing of the person is for illustrative purposes only and forms no part of the claimed design.



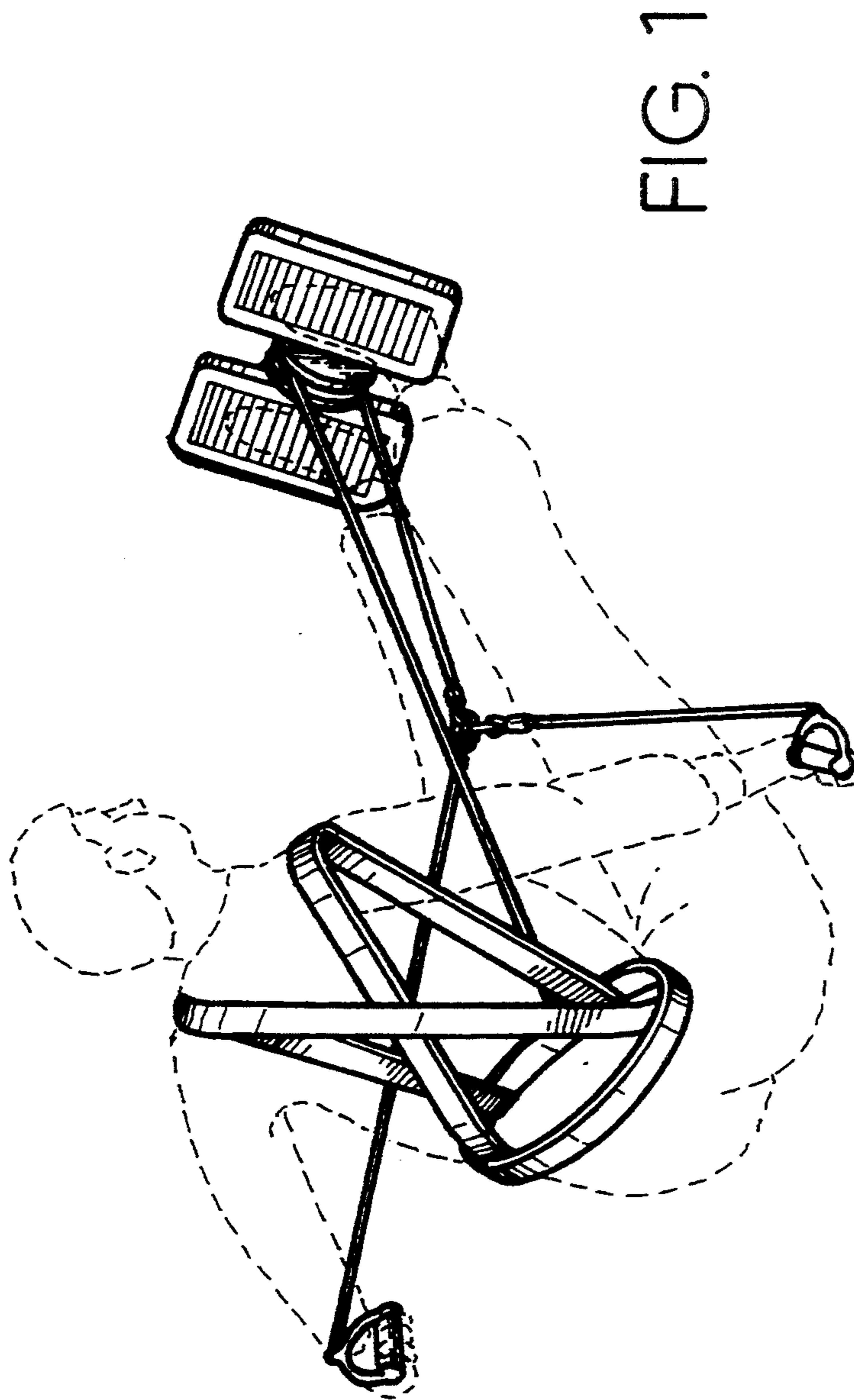
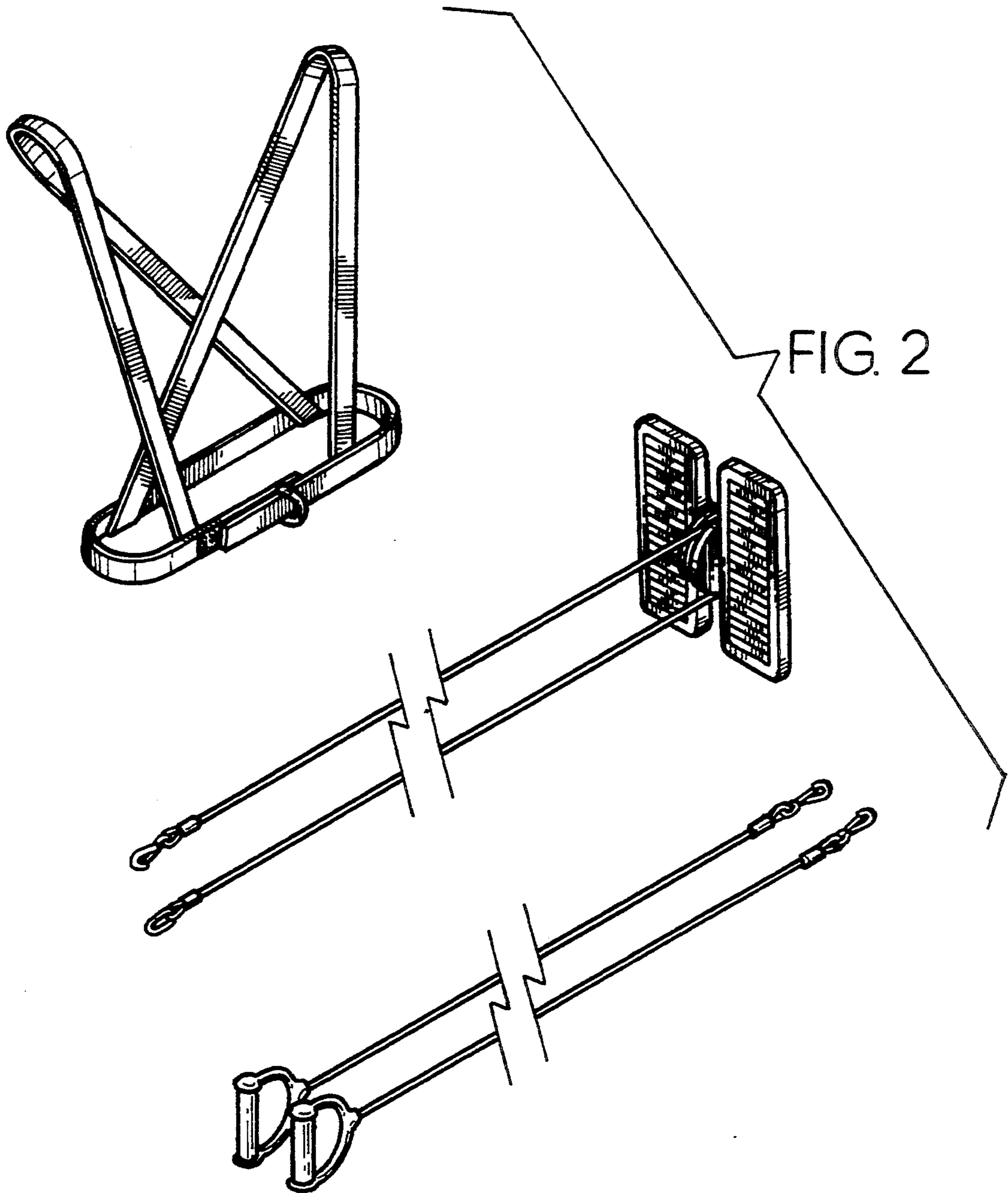


FIG. 1



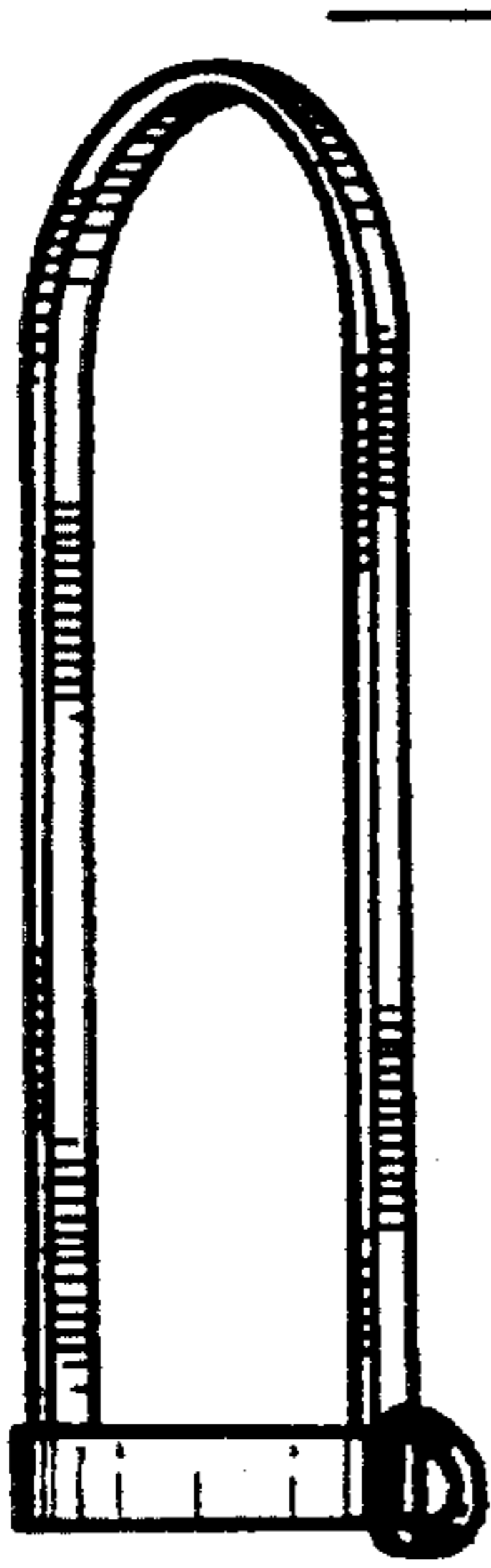


FIG. 3

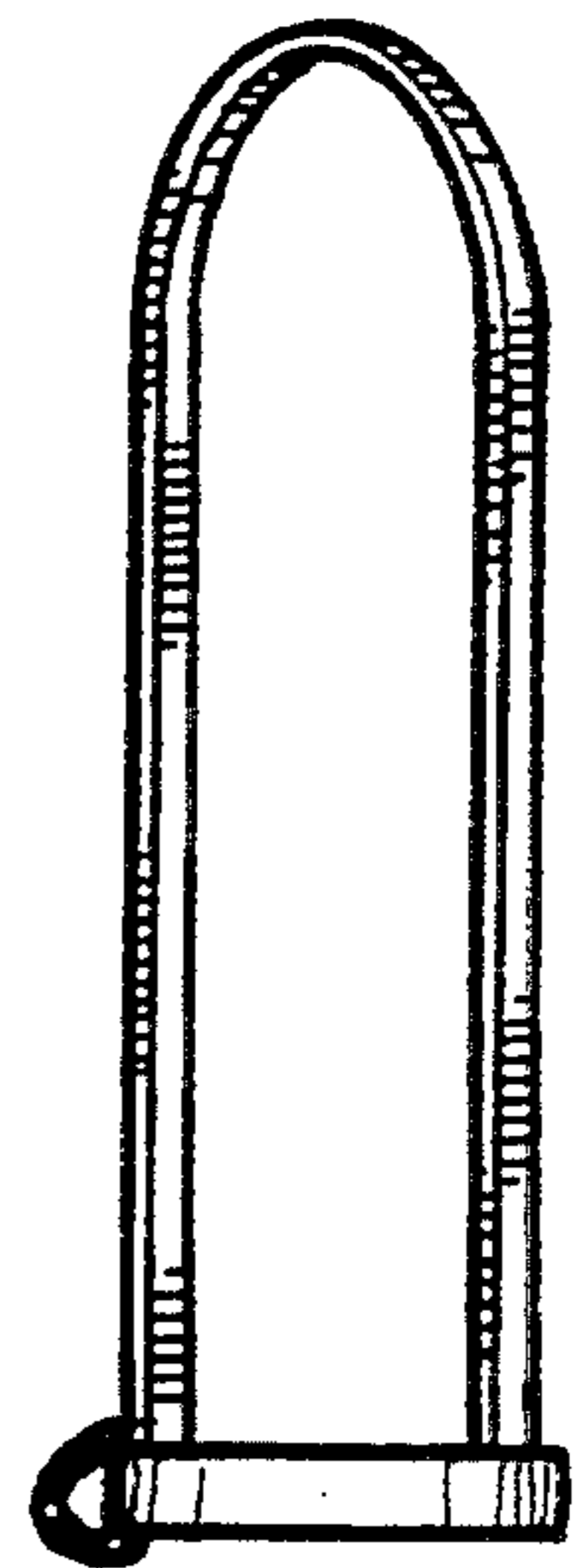
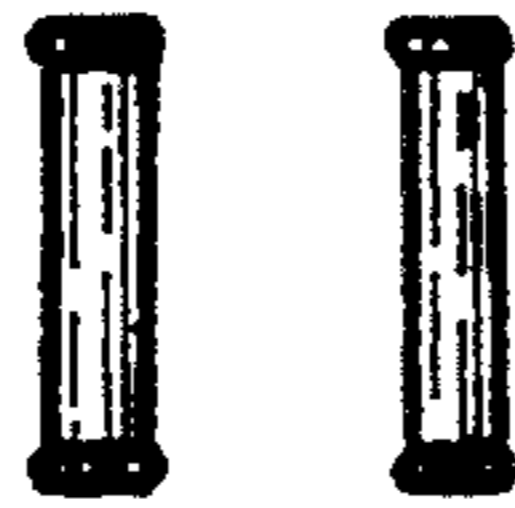
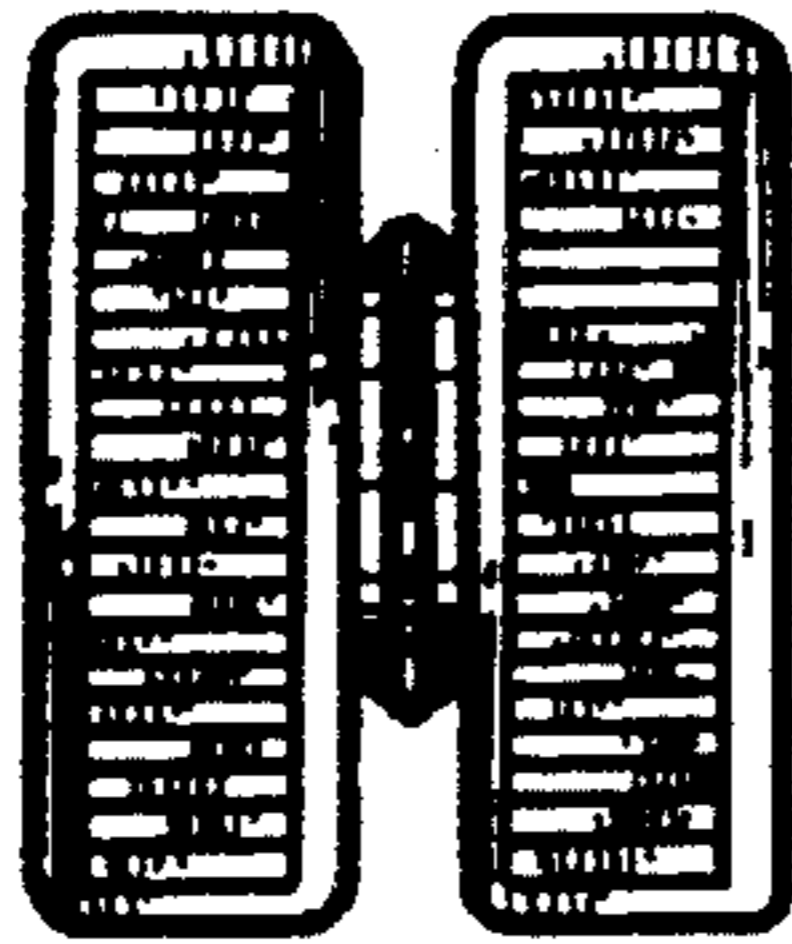
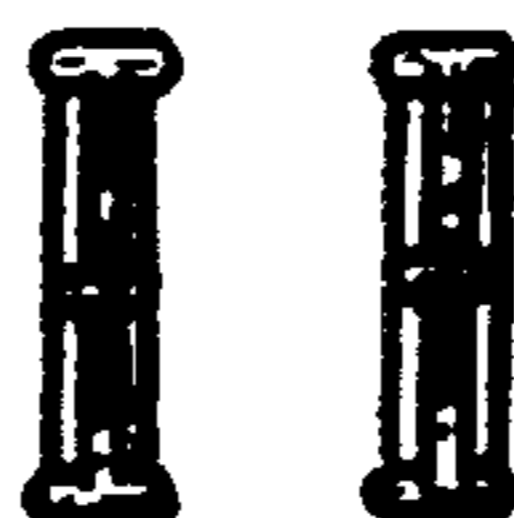
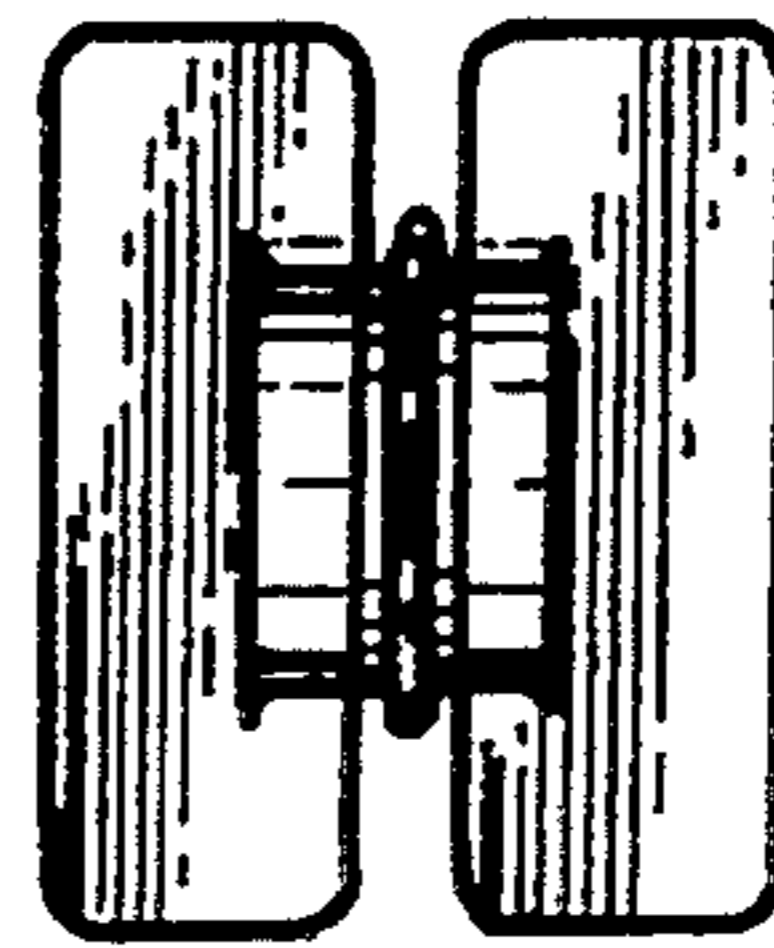
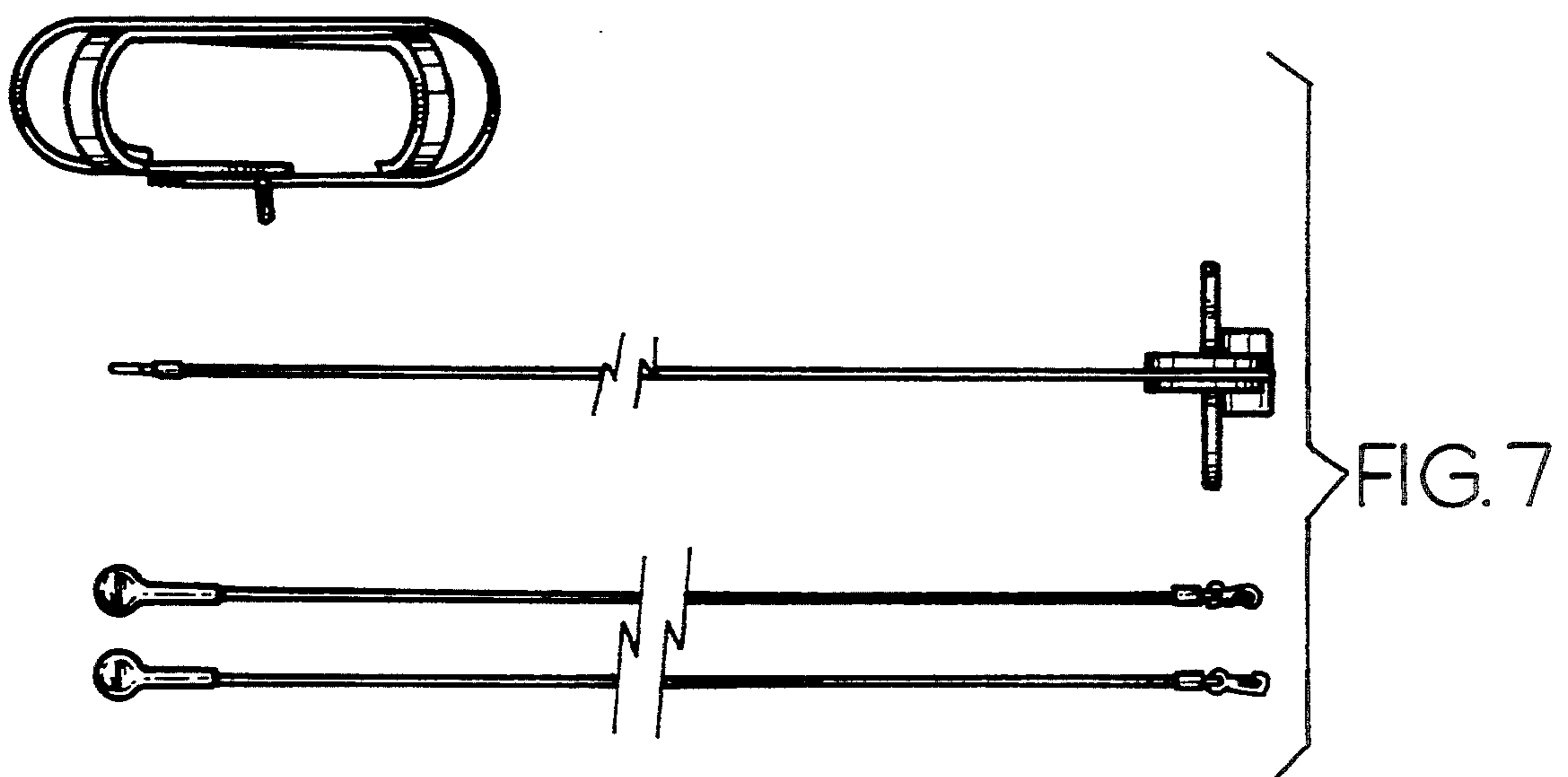
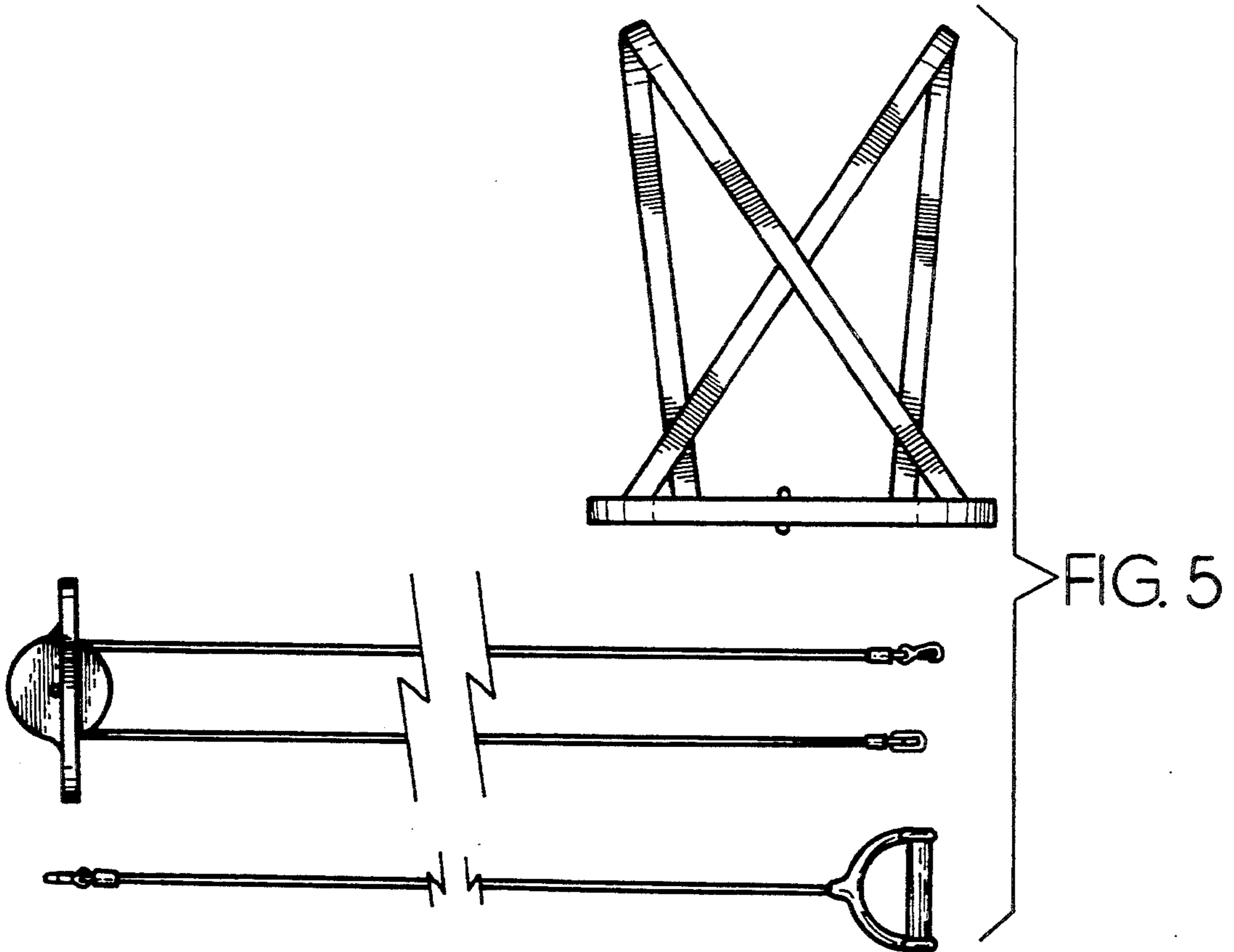


FIG. 4





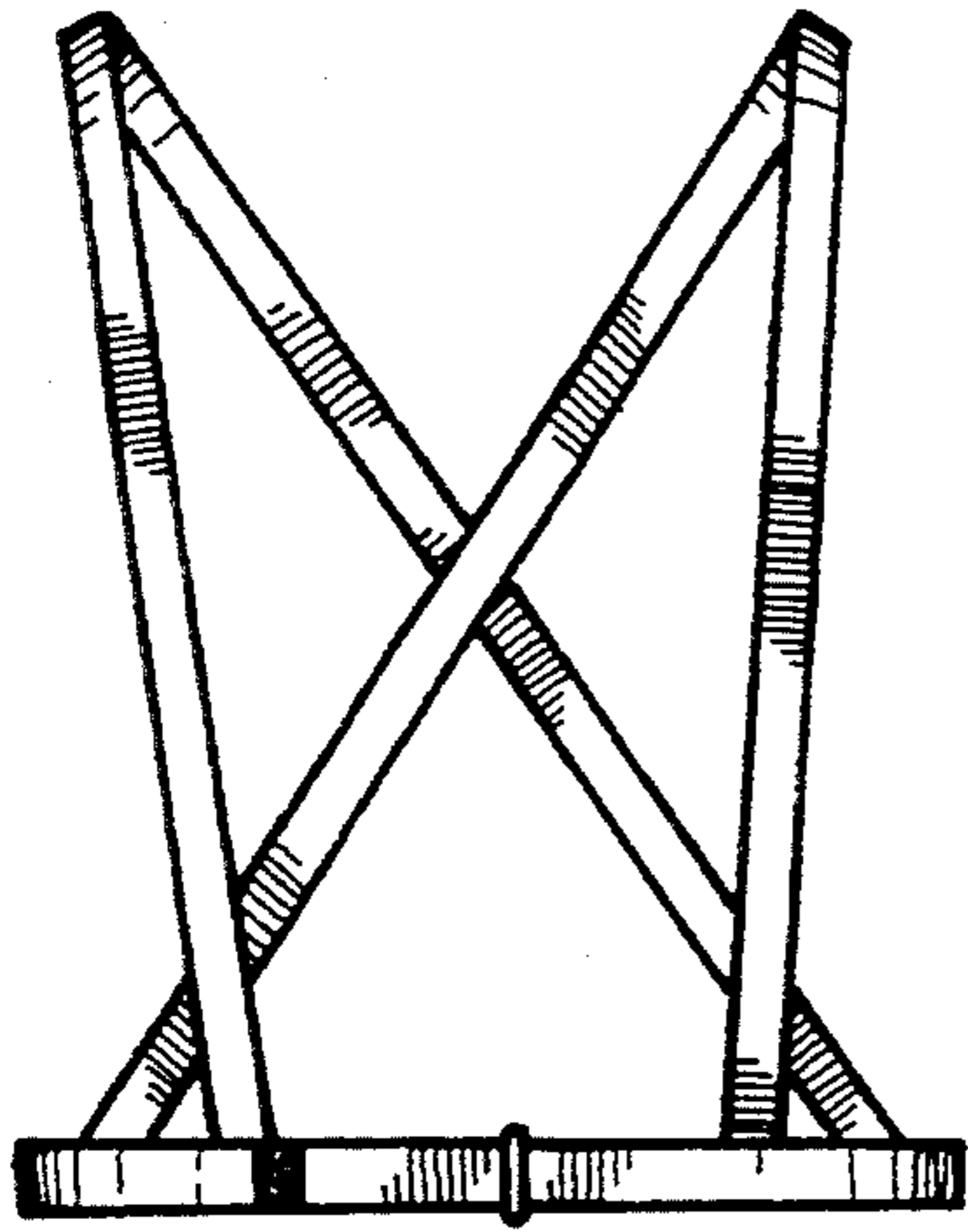


FIG. 6

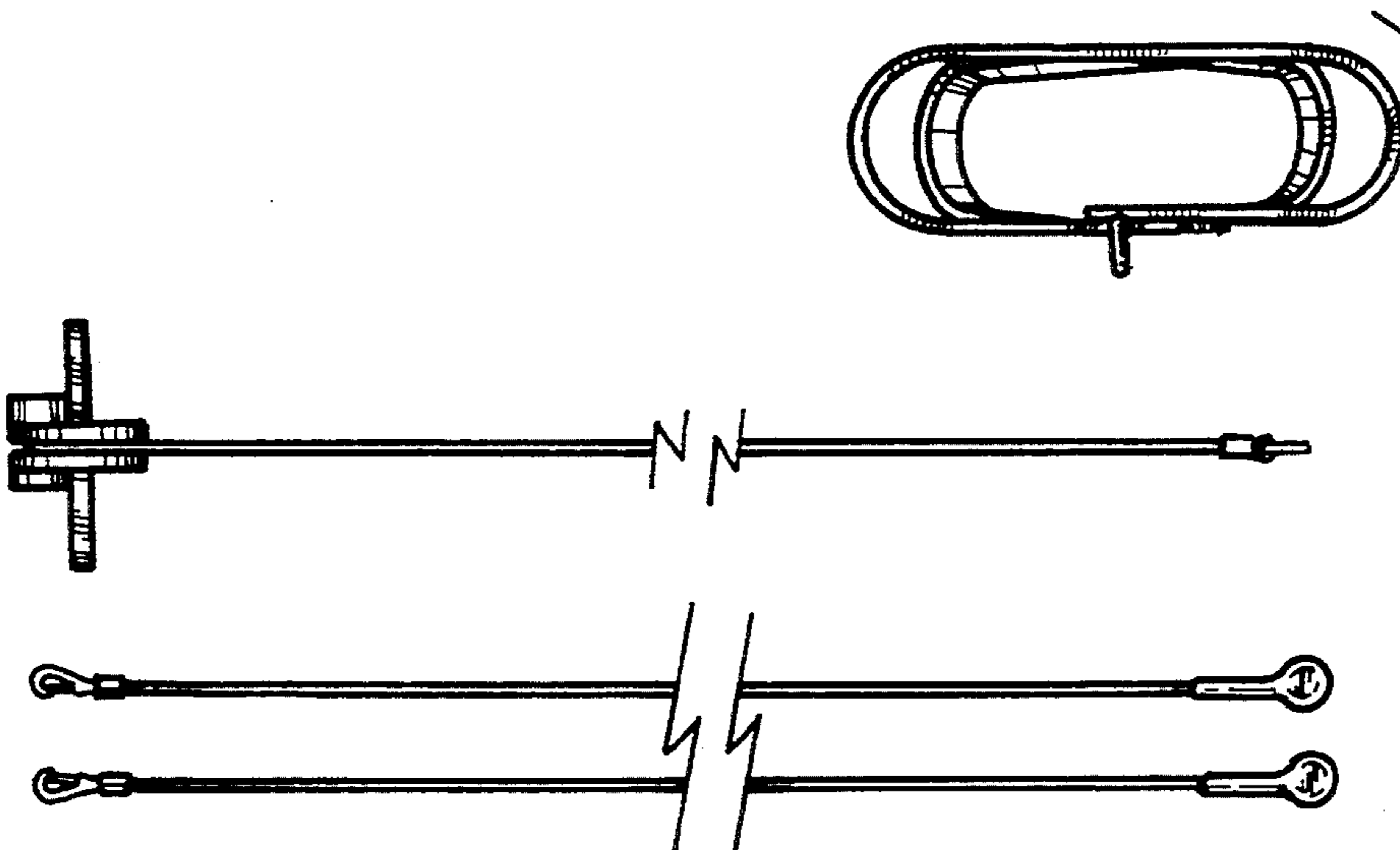
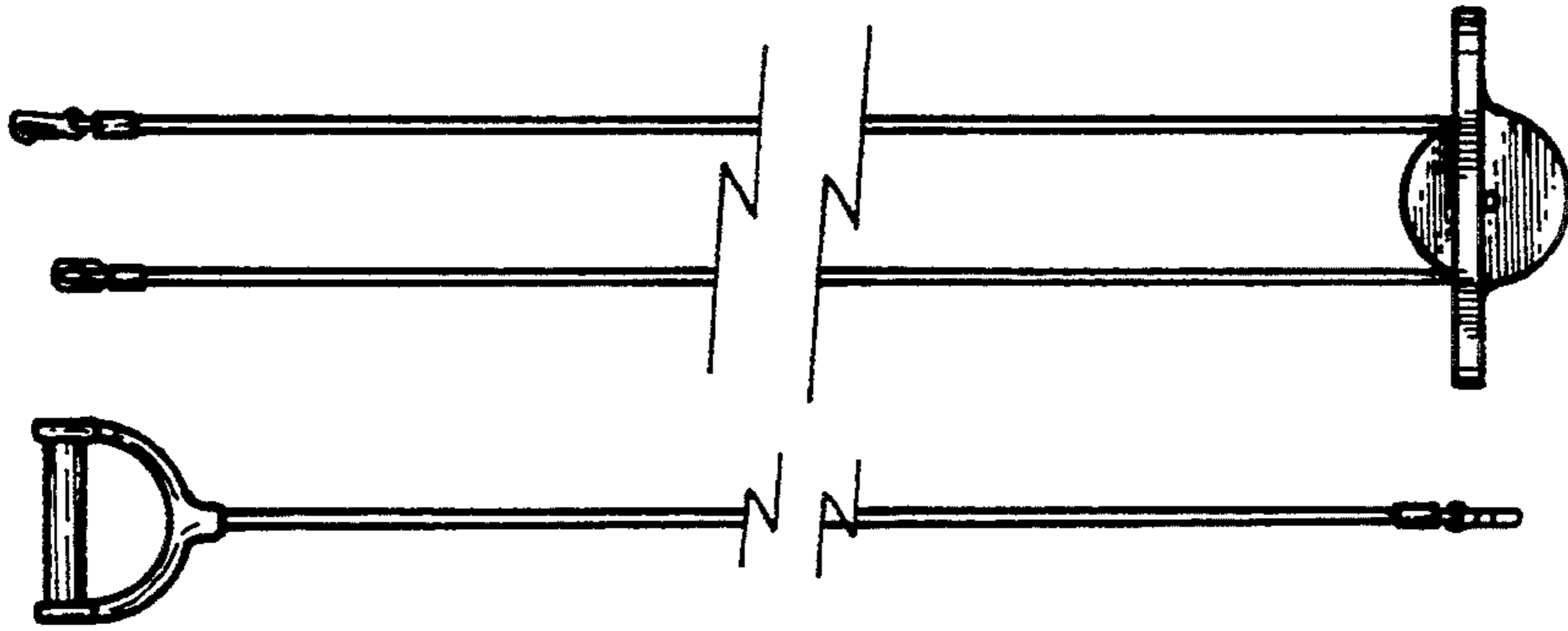


FIG. 8