



US00D358624S

United States Patent [19]

[11] Patent Number: **Des. 358,624**

Wang et al.

[45] Date of Patent: **** May 23, 1995**

[54] **STEPPING EXERCISER WITH A SEAT**

5,104,363	4/1992	Shi	482/72
5,215,511	6/1993	Cheng	482/142
5,254,067	10/1993	Habing et al.	482/53

[75] Inventors: **Leao Wang; Peter Wu**, both of Taichung Hsien, Taiwan, Prov. of China

Primary Examiner—Prabhakar G. Deshmukh
Assistant Examiner—Philip Hyder
Attorney, Agent, or Firm—Bacon & Thomas

[73] Assignee: **Greenmaster Industrial Corporation**, Taiping Hsian, Taiwan, Prov. of China

[57] **CLAIM**

[**] Term: **14 Years**

The ornamental design for a stepping exerciser with a seat, as shown and described.

[21] Appl. No.: **19,965**

DESCRIPTION

[22] Filed: **Mar. 15, 1994**

[52] U.S. Cl. **D21/195**

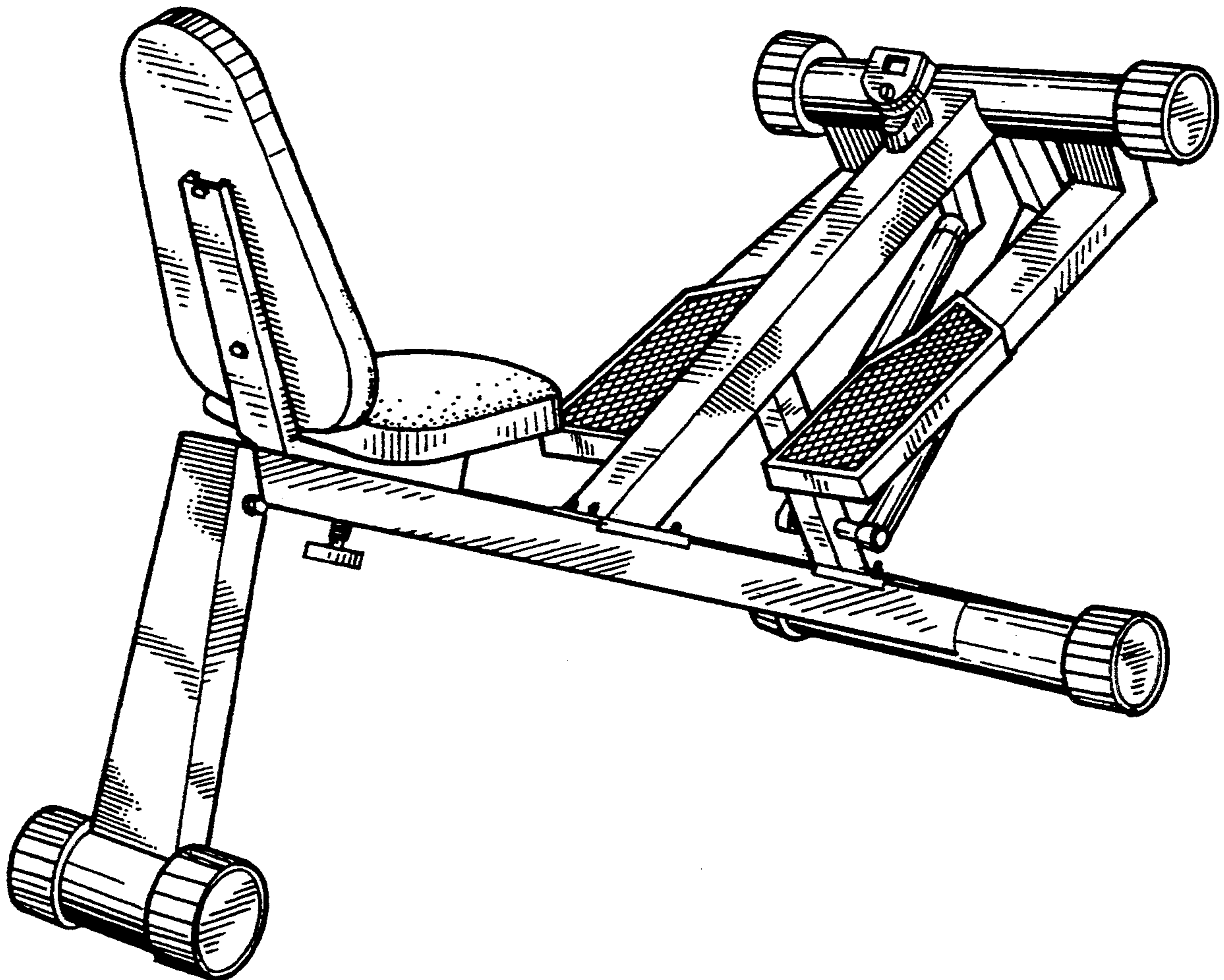
[58] Field of Search D21/191, 194, 195;
482/71, 72, 137, 53, 130, 142, 112

FIG. 1 is a perspective view of a stepping exerciser with a seat;
 FIG. 2 is a front elevational view of a stepping exerciser with a seat;
 FIG. 3 is a left elevational view of a stepping exerciser with a seat;
 FIG. 4 is a right side elevational view of a stepping exerciser with a seat;
 FIG. 5 is a top plan view of a stepping exerciser with a seat; and,
 FIG. 6 is a bottom view of a stepping exerciser with a seat.

[56] **References Cited**

U.S. PATENT DOCUMENTS

D. 226,934	5/1973	Coker	D21/195
D. 319,275	8/1991	Hurt	D21/195
4,809,976	3/1989	Berger	482/130
4,900,013	2/1990	Rodgers, Jr.	482/72



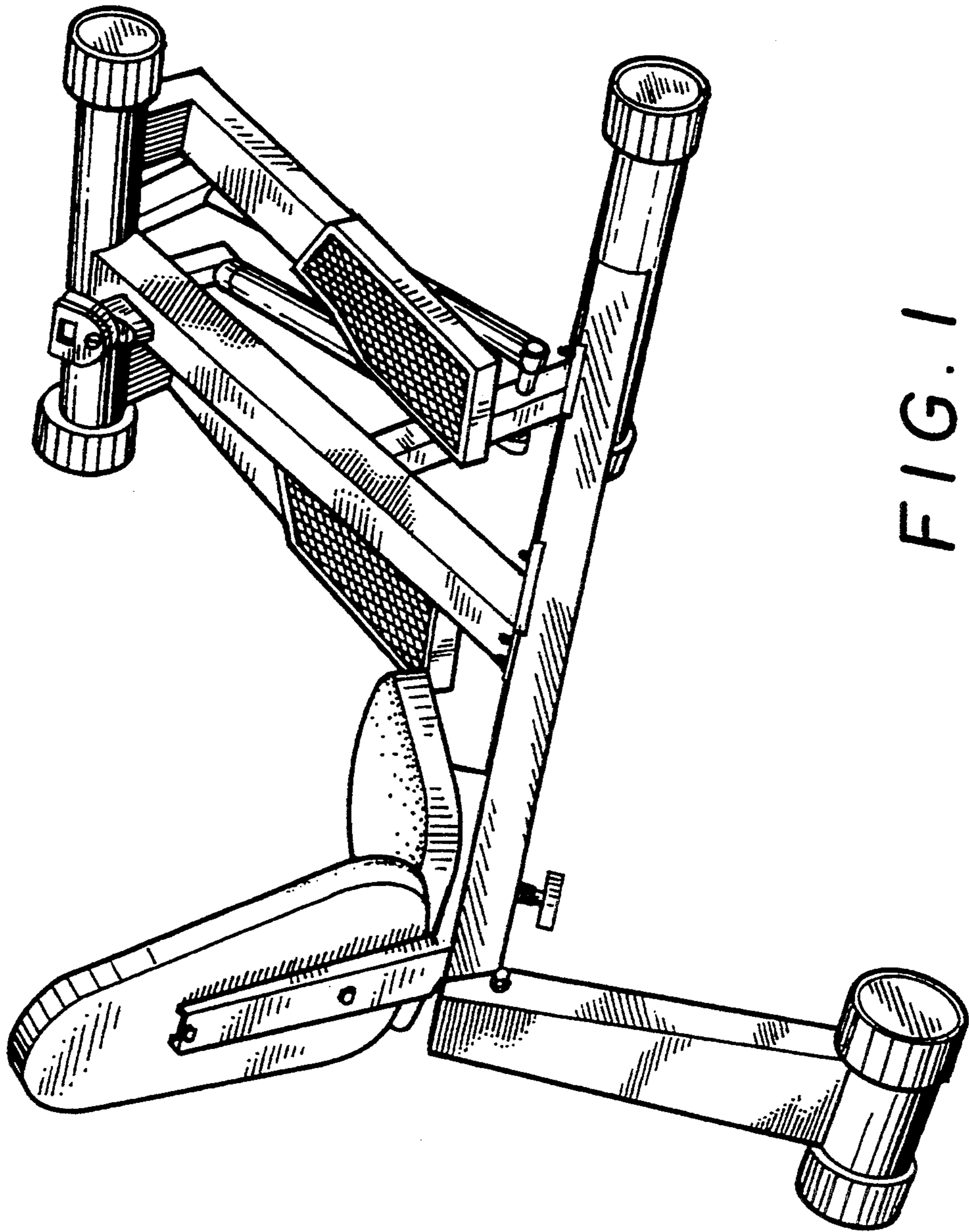


FIG. 1

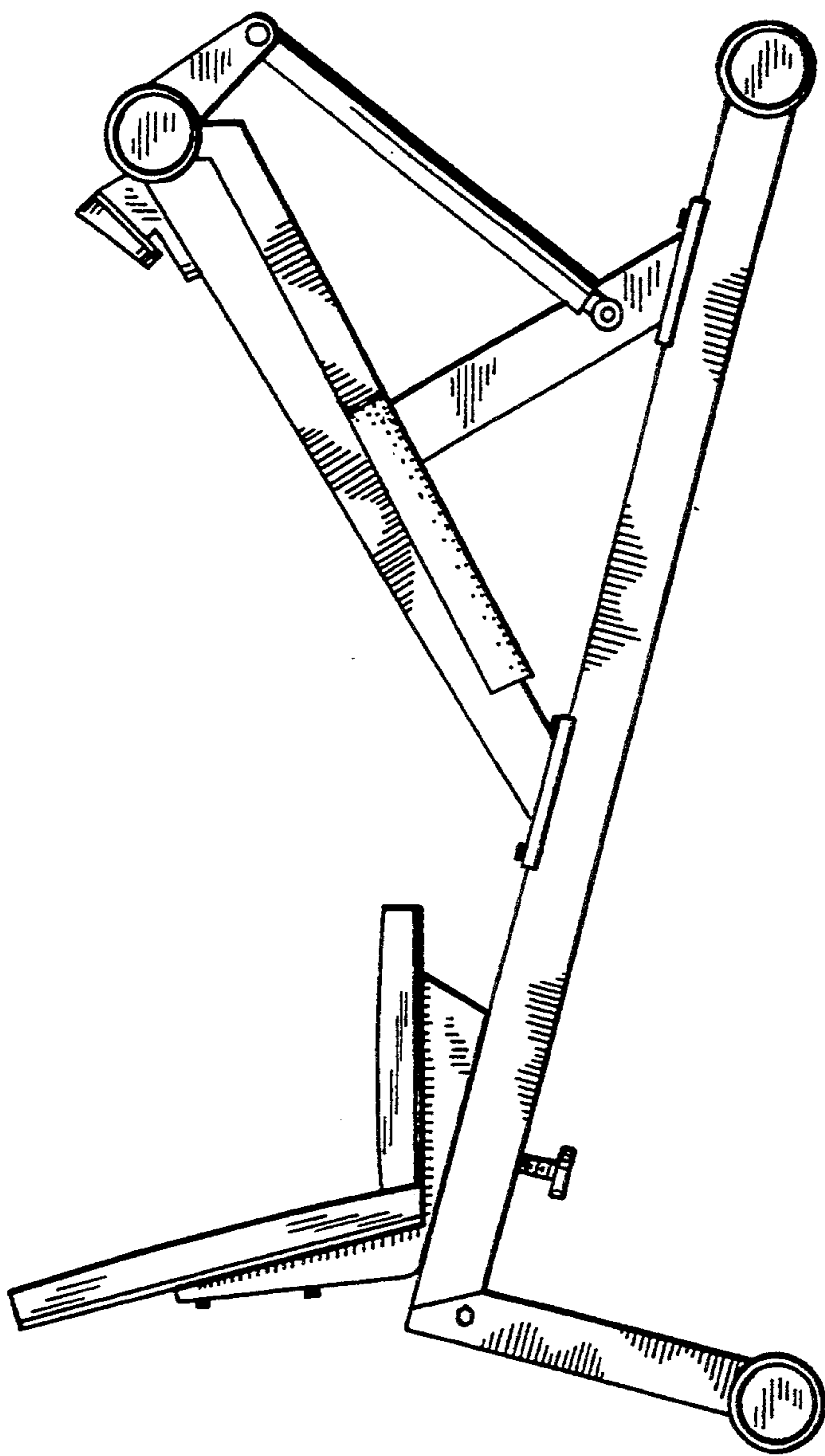


FIG. 2

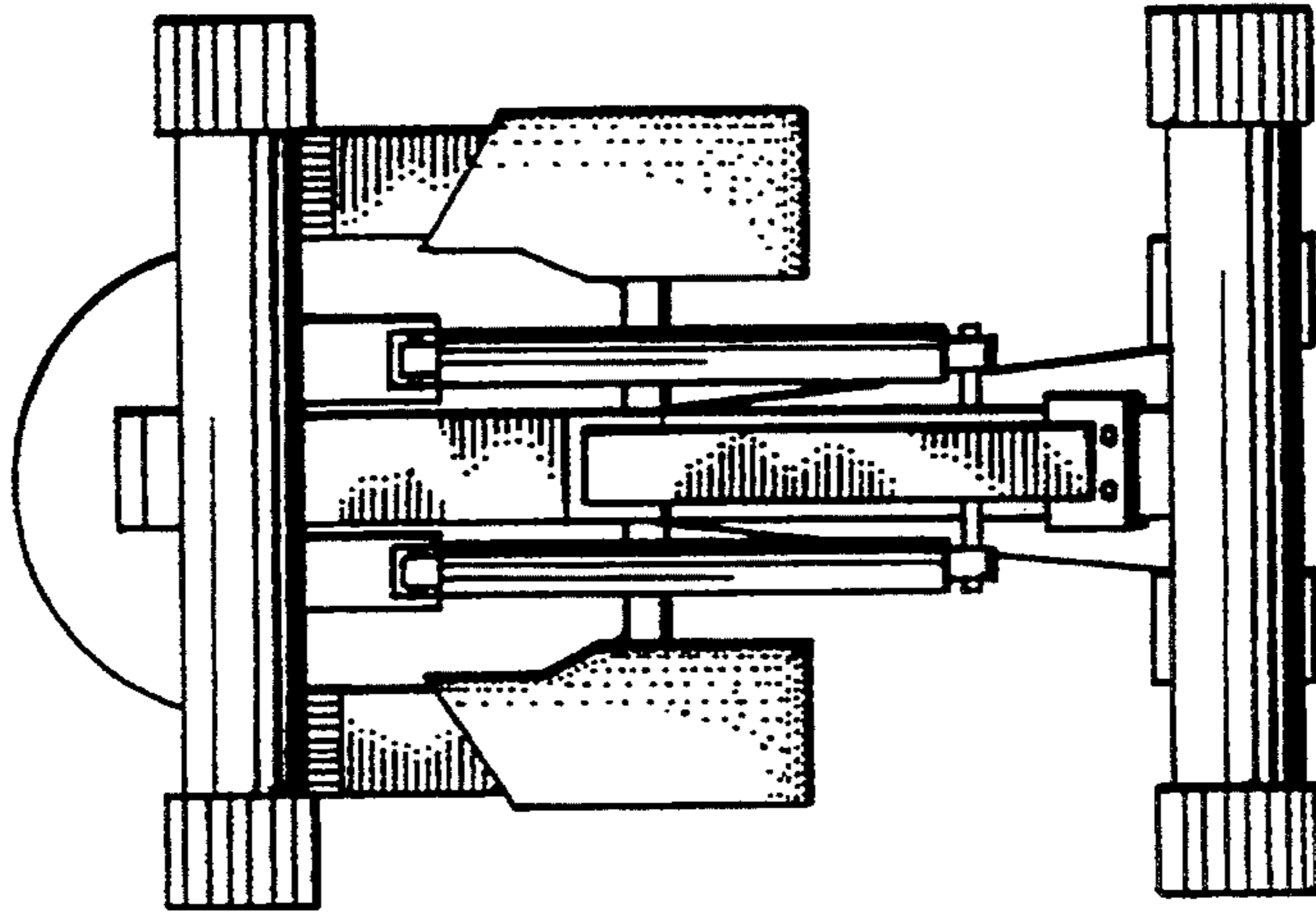


FIG. 3

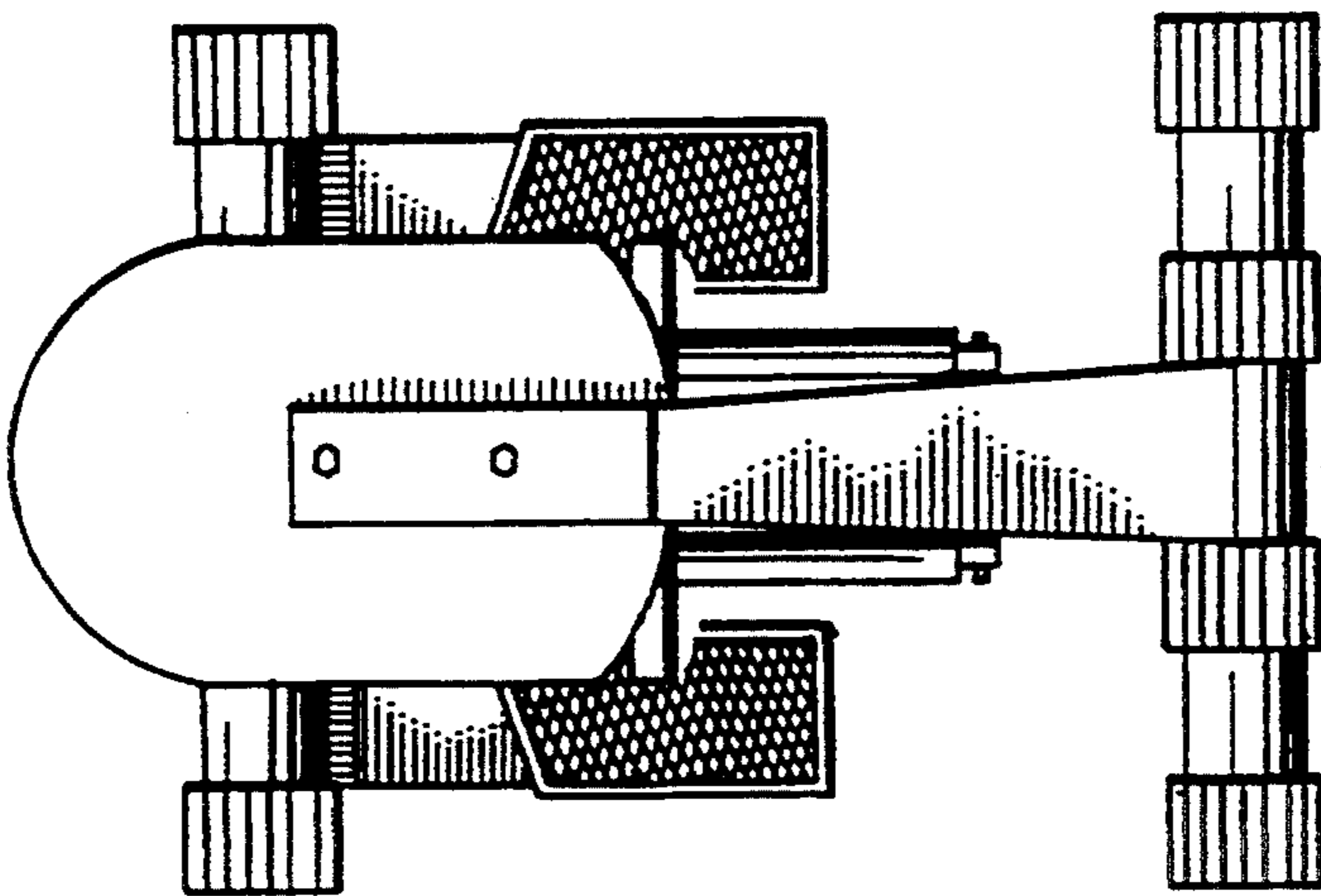


FIG. 4

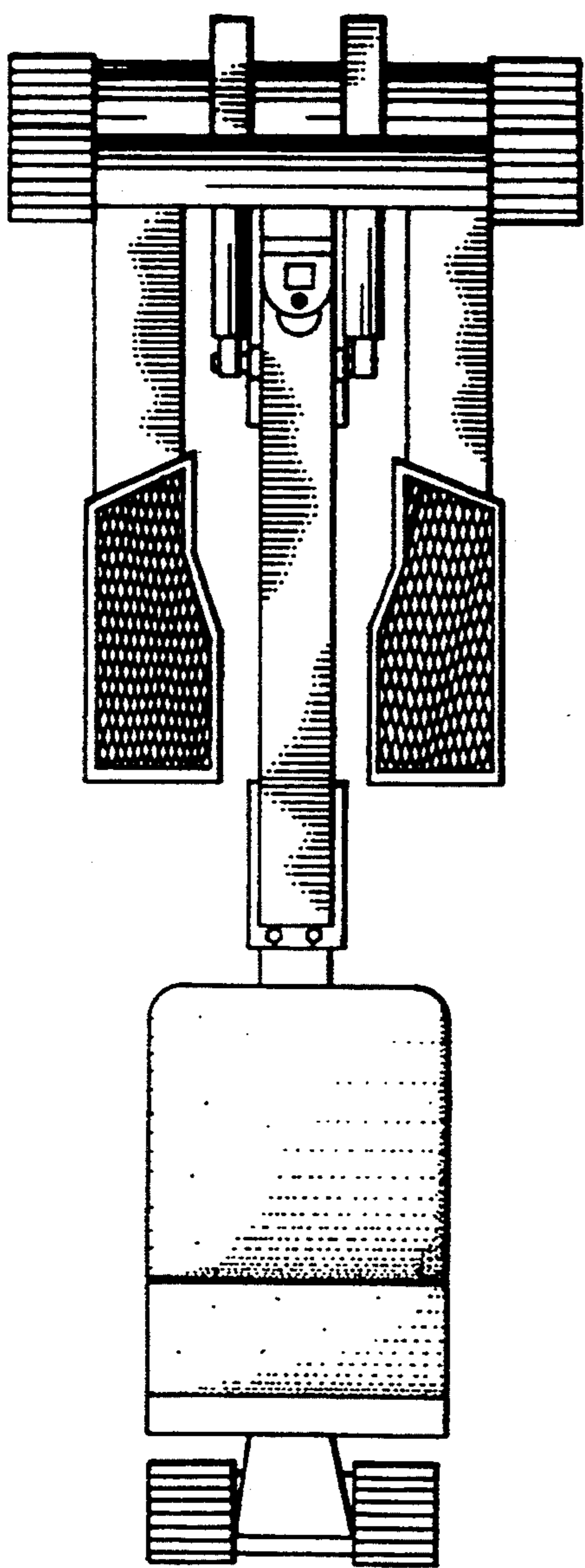


FIG. 5

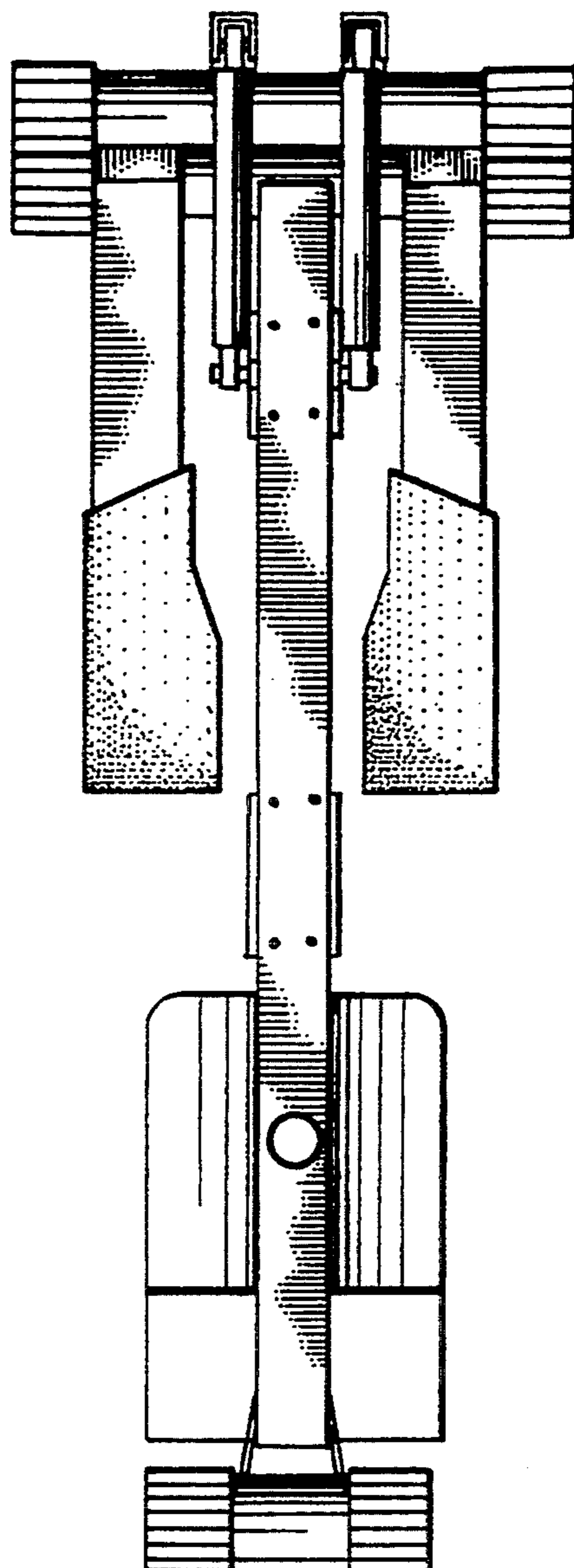


FIG. 6