



US00D358613S

# United States Patent [19]

[11] Patent Number: **Des. 358,613**

**Kovens et al.**

[45] Date of Patent: **\*\* May 23, 1995**

[54] **COIN BOX INSERT FOR A BULK VENDING MACHINE**

[75] Inventors: **Steven A. Kovens**, Reistertown;  
**Michael T. Doyle**, Columbia, both of Md.

[73] Assignee: **Parkway Machine Corp.**, Timonium, Md.

[\*\*] Term: **14 Years**

[21] Appl. No.: **12,975**

[22] Filed: **Sep. 15, 1993**

D. 283,518	4/1986	Gardellini .....	D20/8
D. 314,797	2/1991	Ibarrola .....	D20/9
D. 321,013	10/1991	Yokimoto et al. ....	D20/9
D. 340,948	11/1993	Nakajima et al. ....	D20/9
3,018,148	1/1962	Probasco .	
3,083,896	4/1963	Cairelli et al. ....	D20/9 X
3,390,753	7/1968	Bolen et al. .	
4,399,903	8/1983	McDonald .....	194/350
4,821,863	4/1989	Okada .....	194/350 X
5,044,483	9/1991	Stefan .	
5,131,519	7/1992	Ra .	

*Primary Examiner*—Theodore M. Shooman  
*Assistant Examiner*—Mitchel I. Siegel  
*Attorney, Agent, or Firm*—Maurice U. Cahn; Beveridge, DeGrandi, Weilacher & Young

### Related U.S. Application Data

[62] Division of Ser. No. 98,051, Jul. 26, 1993.

[52] U.S. Cl. .... **D20/8**

[58] Field of Search ..... **D20/8, 9; 194/350, 344, 194/346; D3/304, 313, 314; D9/341**

### [57] CLAIM

The ornamental design for coin box insert for a bulk vending machine, as shown and described.

### DESCRIPTION

FIG. 1 is a perspective view of the coin box insert for a bulk vending machine showing our new design;

FIG. 2 is a top view thereof;

FIG. 3 is a bottom view thereof;

FIG. 4 is a front view thereof;

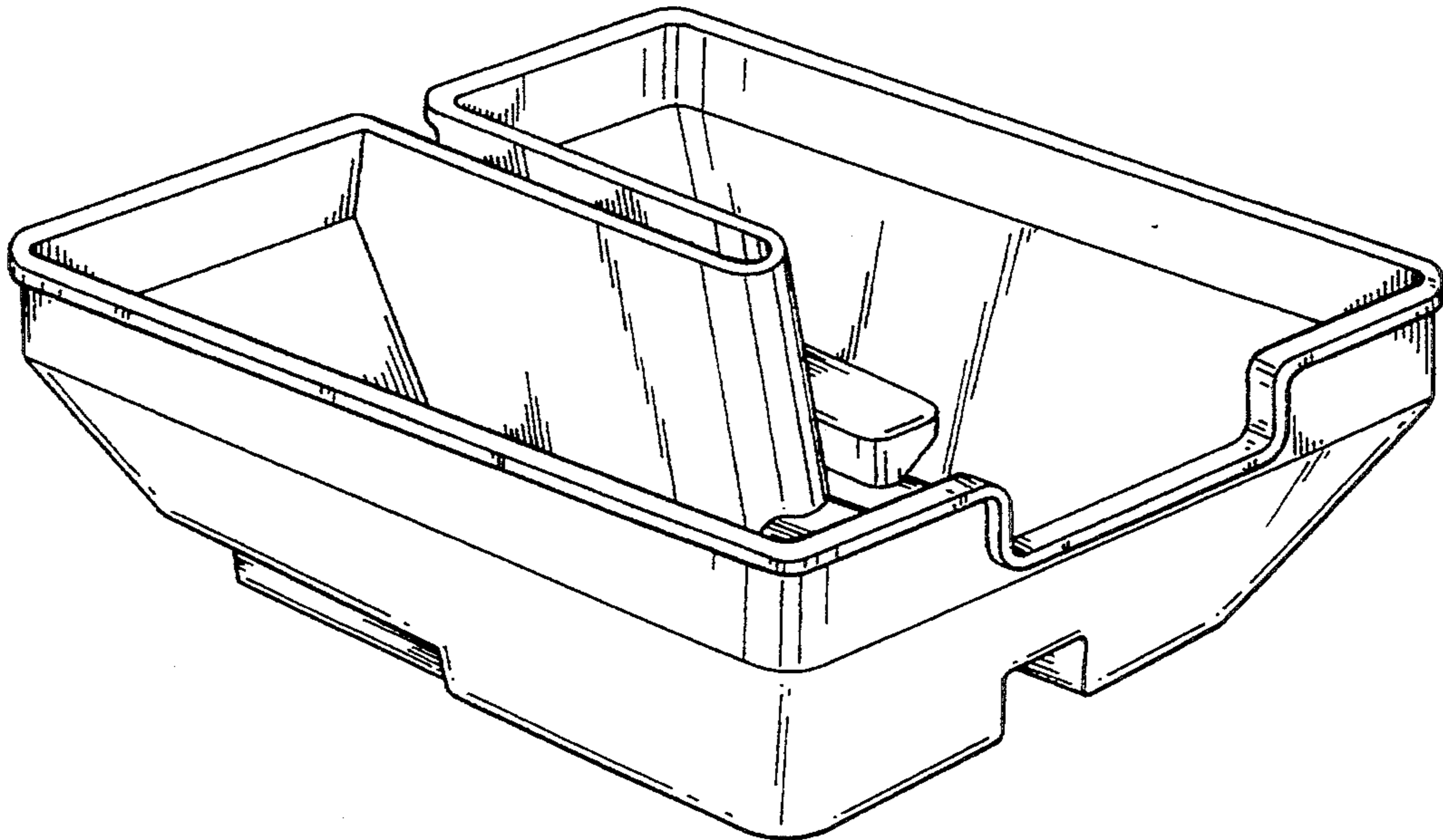
FIG. 5 is a rear view thereof; and,

FIG. 6 is a left side view thereof, the undisclosed opposite side being a mirror image.

### [56] References Cited

#### U.S. PATENT DOCUMENTS

D. 34,997	8/1901	MacLean .....	D20/8
D. 35,237	10/1901	Doremus .....	D20/8
D. 35,377	12/1901	Davis .....	D20/8
D. 210,488	3/1968	Hutchins .....	D20/9
D. 237,020	9/1975	Valentine .....	D3/304
D. 264,792	6/1982	Conti .....	D3/314 X



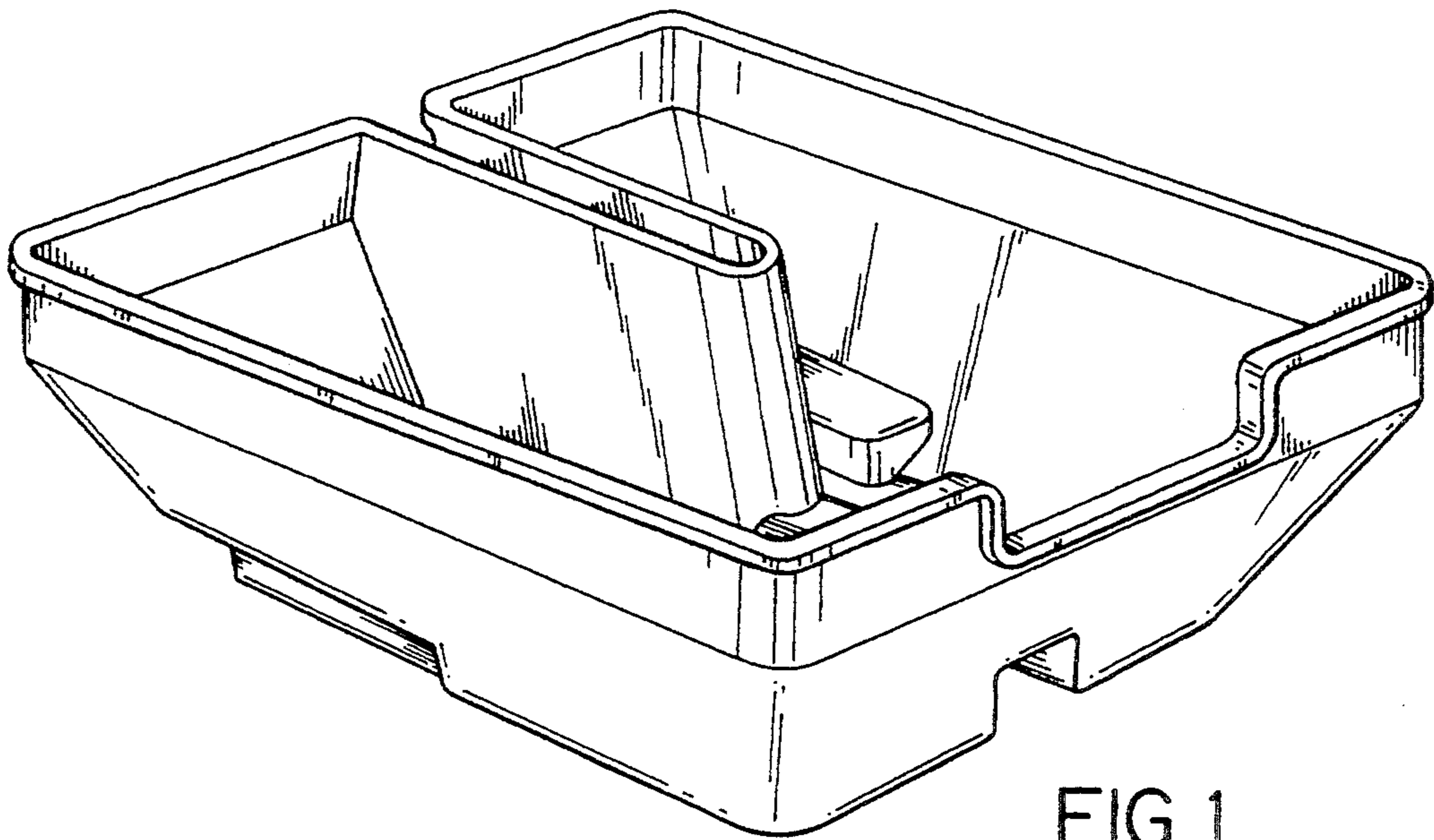


FIG. 1

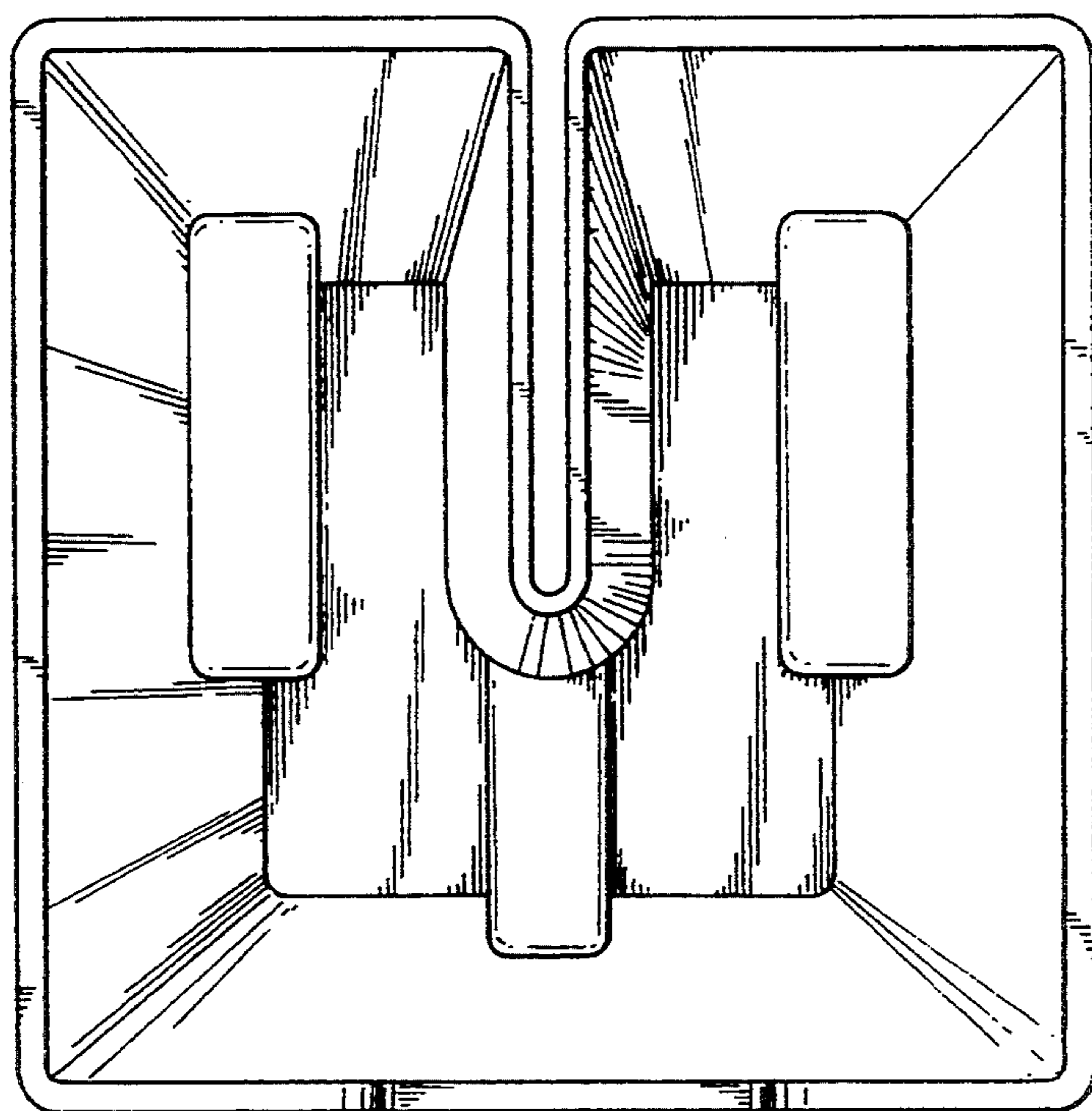


FIG. 2

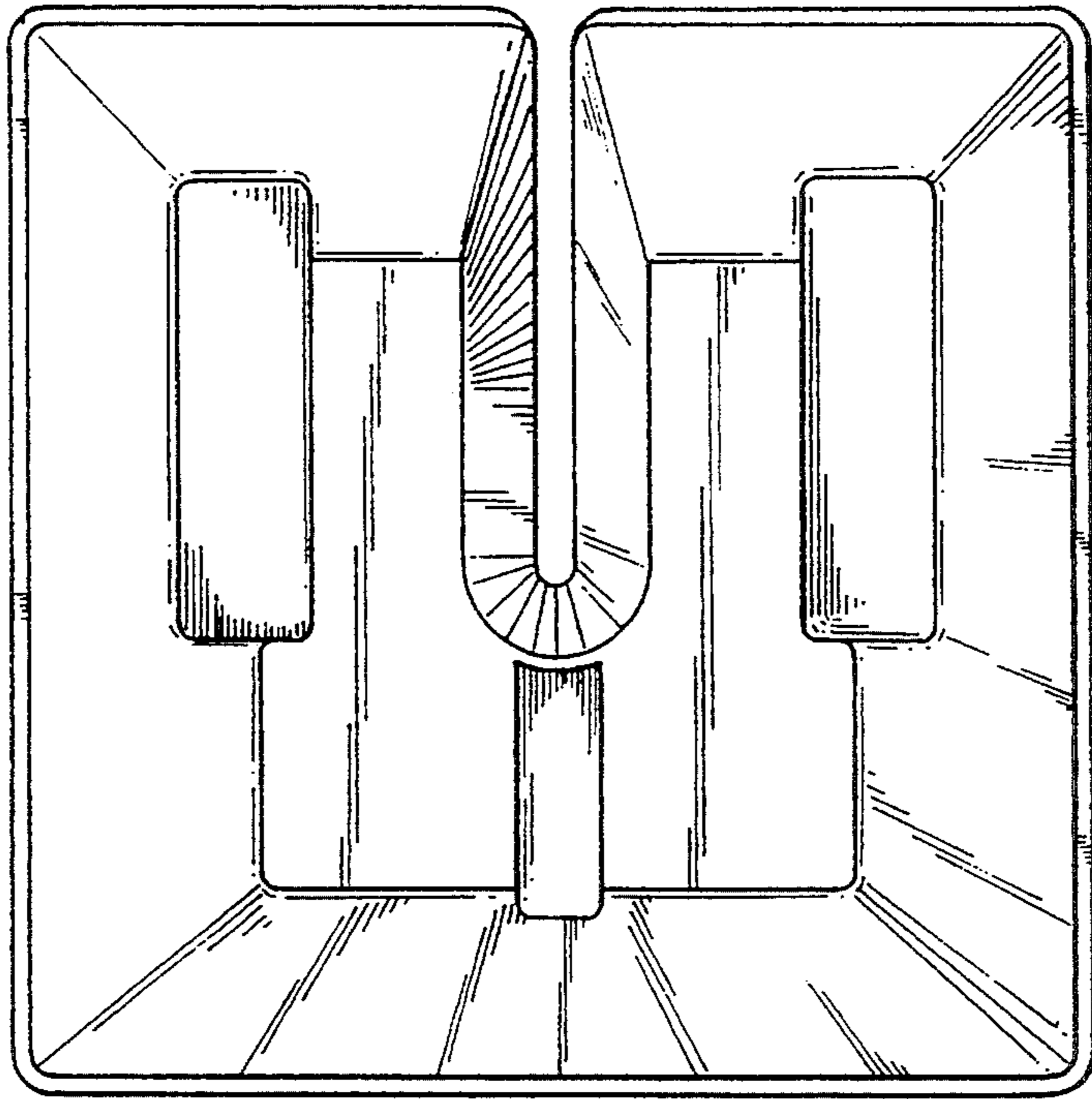


FIG. 3

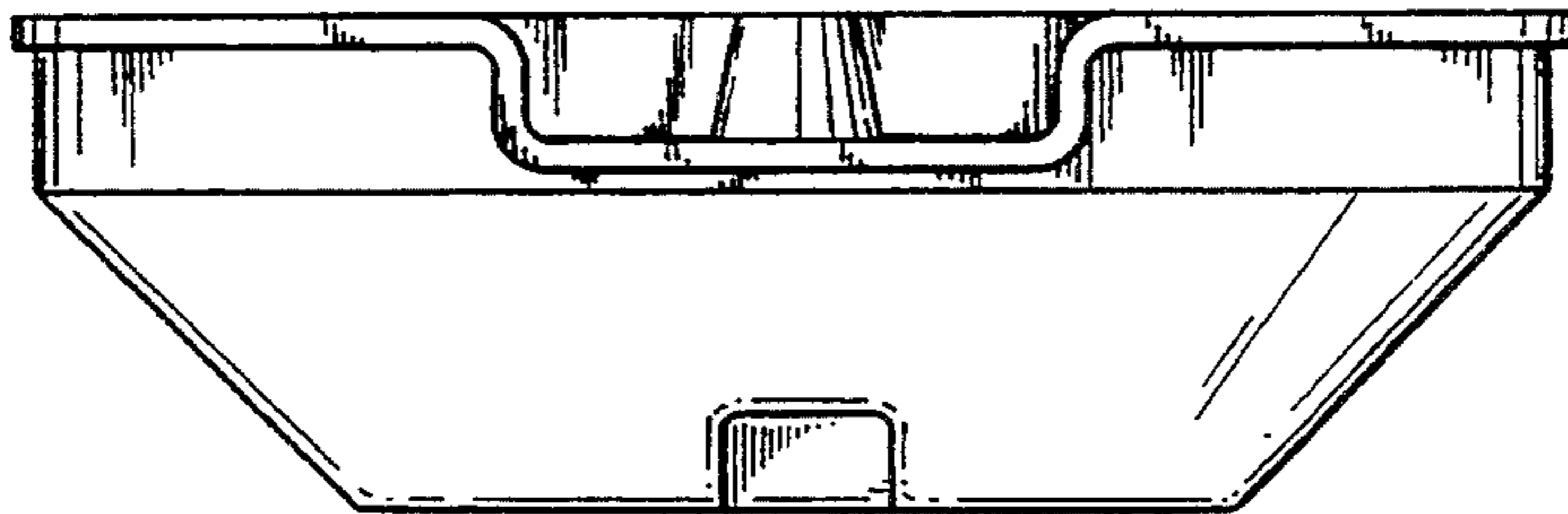


FIG. 4

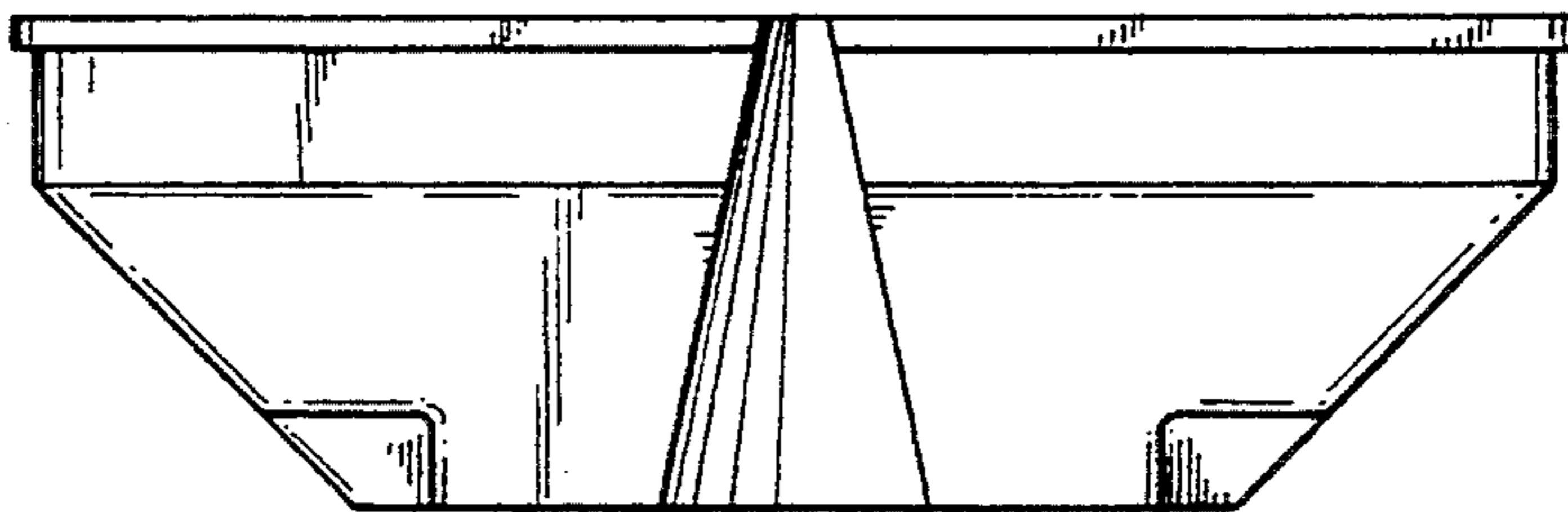


FIG. 5

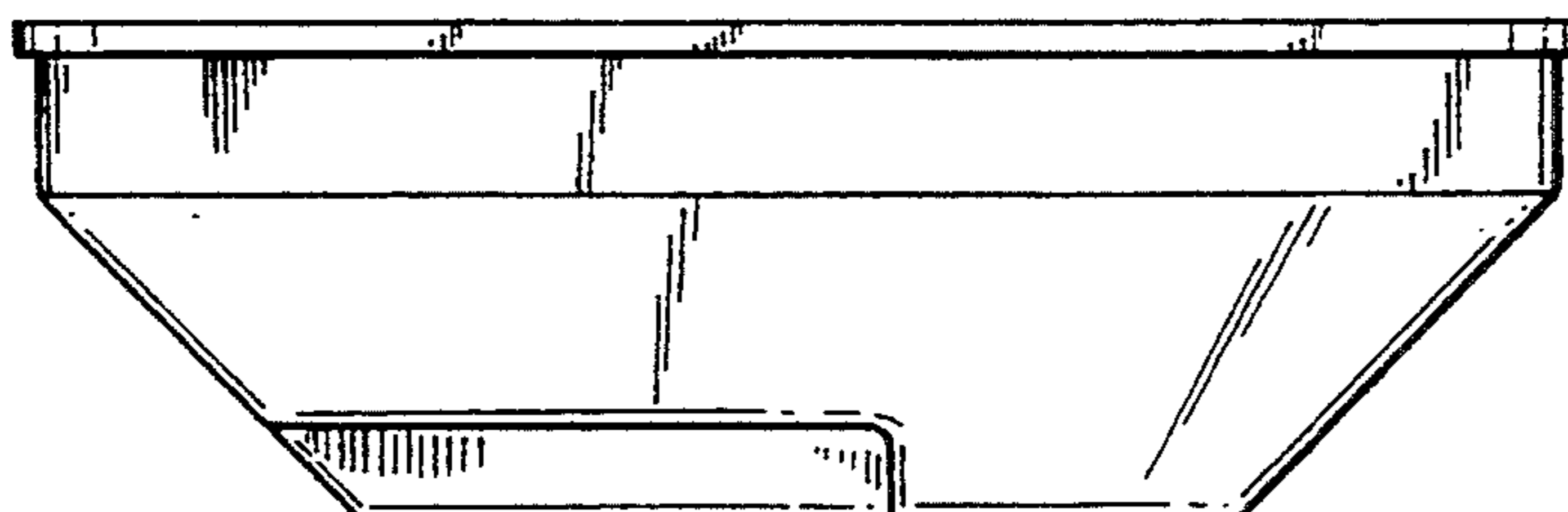


FIG. 6