



US00D358609S

United States Patent [19]

[11] Patent Number: **Des. 358,609**

Ferguson

[45] Date of Patent: **** May 23, 1995**

[54] **PEN CLIP**

[75] Inventor: **Gregory A. Ferguson, New Bedford, Mass.**

[73] Assignee: **Precision Handling Devices, Inc., Fall River, Mass.**

[**] Term: **14 Years**

[21] Appl. No.: **21,561**

[22] Filed: **Apr. 20, 1994**

[52] U.S. Cl. **D19/56; D19/49**

[58] Field of Search **D19/35, 36, 41-51, D19/54, 55, 56, 57, 58, 81-85; 401/243-247; 24/10 R, 11 R, 11 PP, 11 GC, 11 C, 11 F**

[56] **References Cited**

U.S. PATENT DOCUMENTS

- D. 80,609 3/1930 Esterow D19/56
- D. 91,765 3/1934 Crocker D19/56
- D. 103,813 3/1937 Esterow D19/56
- D. 119,932 4/1940 Lapteff D19/56

- D. 123,293 10/1940 Kahn D19/56
- D. 145,171 7/1946 Green et al. D19/56
- D. 190,537 6/1961 Schier D19/56
- 1,662,073 3/1928 Mays 24/11 PP

Primary Examiner—Martie Thompson
Attorney, Agent, or Firm—M. Lukacher

[57] CLAIM

The new and ornamental design for a pen clip, as shown and described.

DESCRIPTION

FIG. 1 is a front elevational view of a pen clip showing my new design;

FIG. 2 is a left side view thereof;

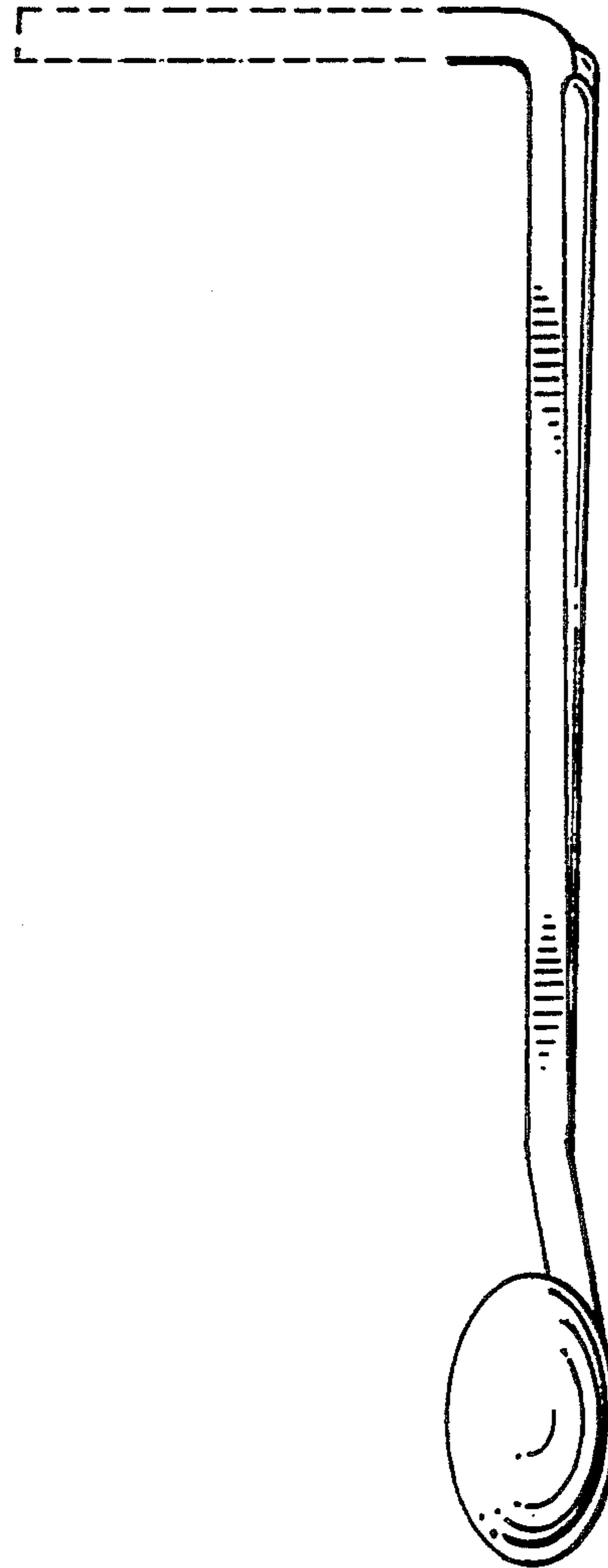
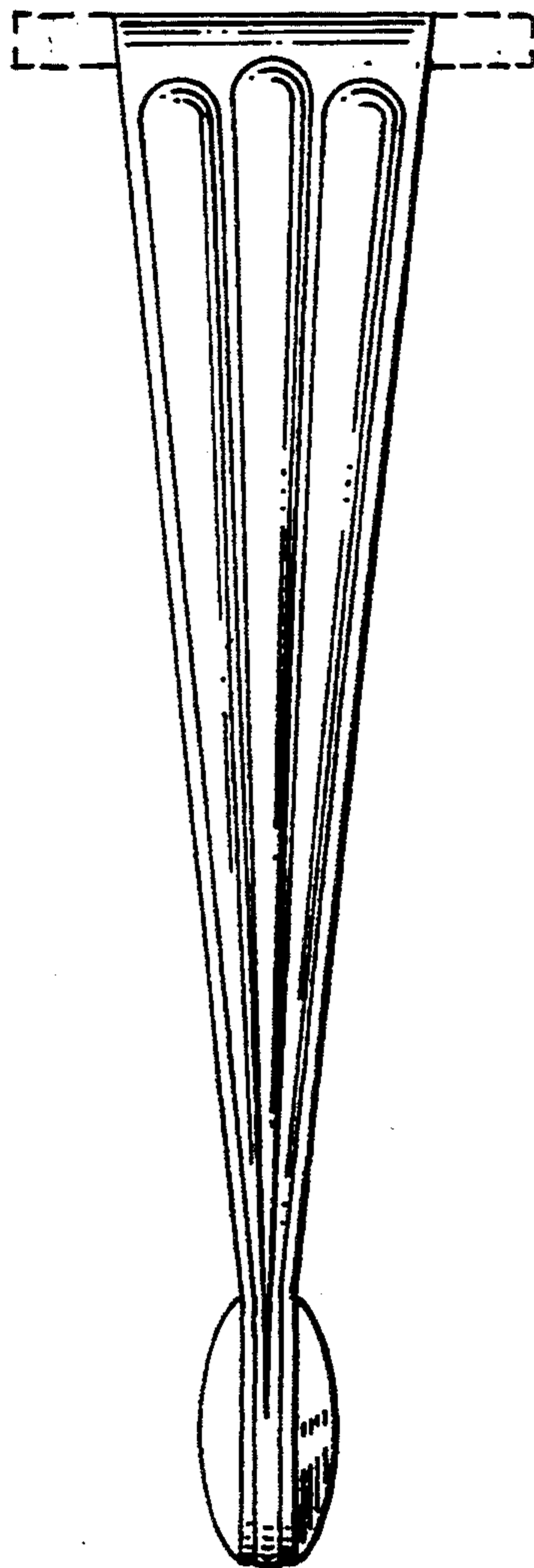
FIG. 3 is a right side view thereof;

FIG. 4 is a rear view thereof;

FIG. 5 is a top plan view thereof; and,

FIG. 6 is a bottom plan view thereof.

The broken line showing of the ring member for securing my new pin clip to a pen is for illustrative purposes only and forms no part of the claimed design.



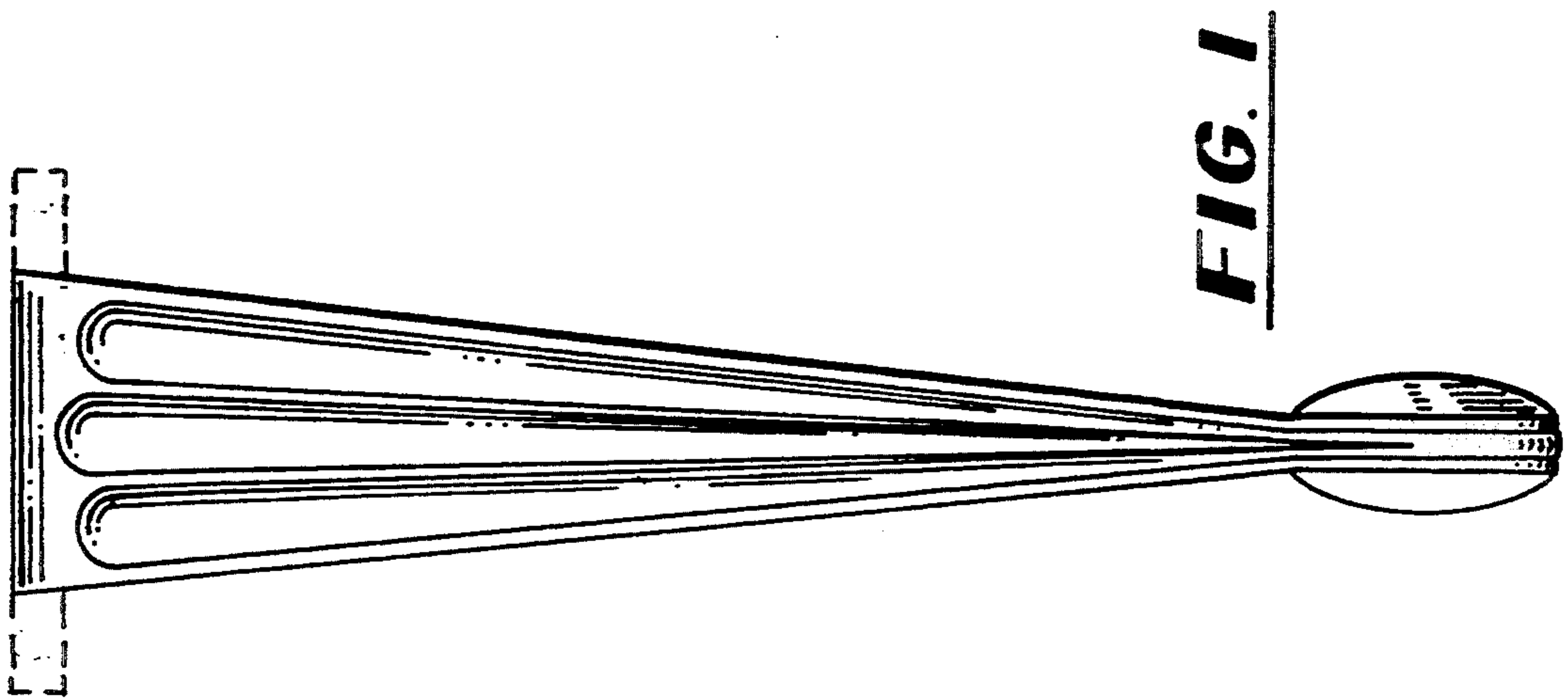


FIG. 1

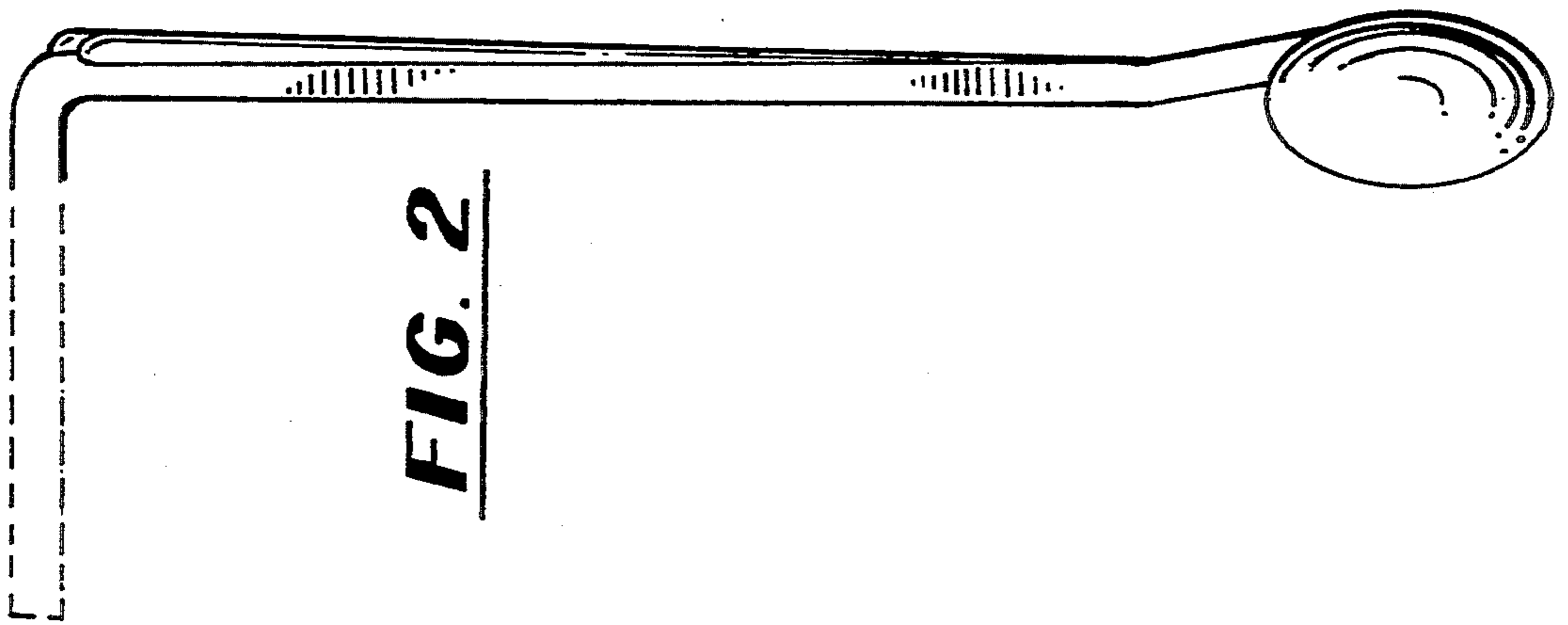


FIG. 2

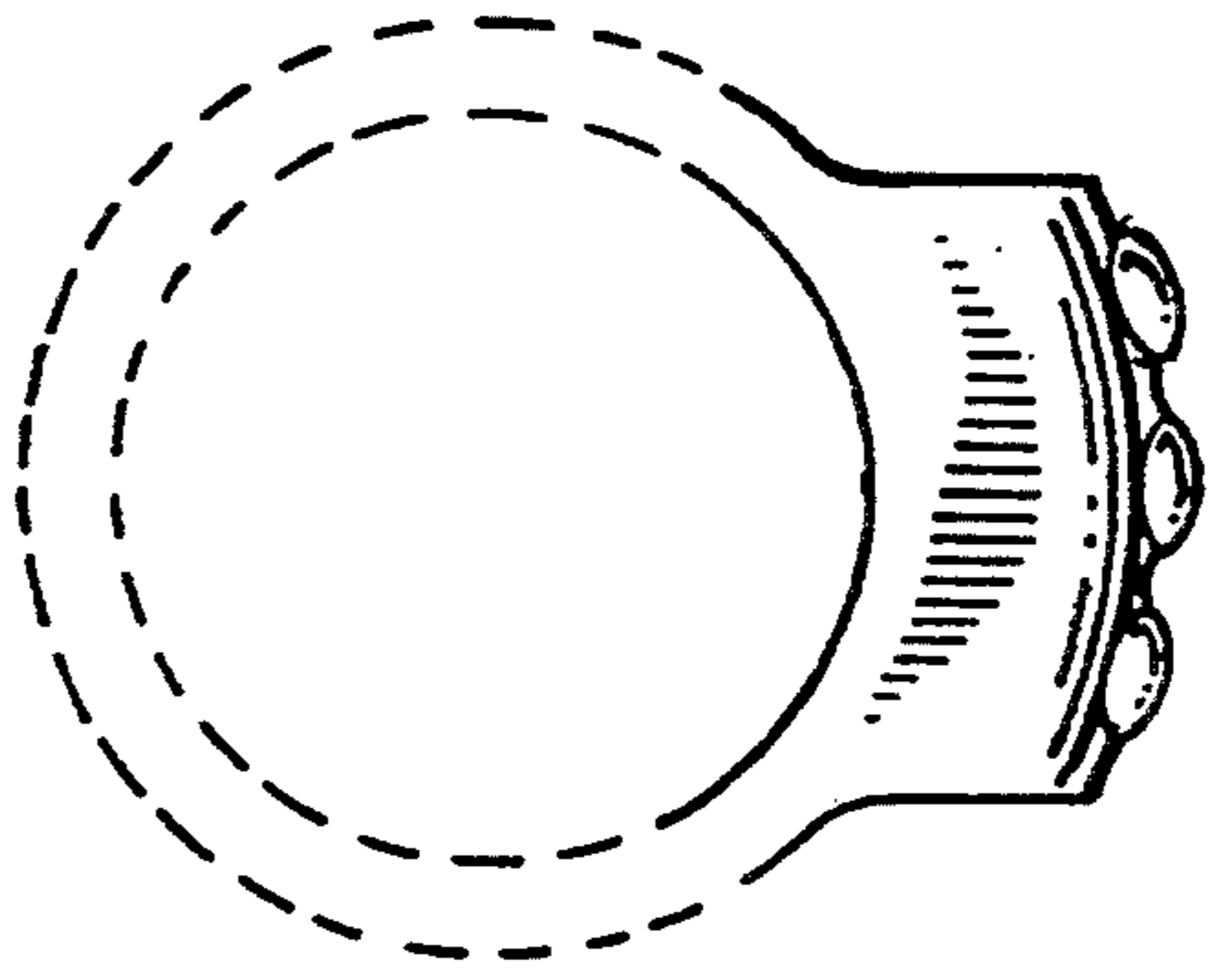


FIG. 5

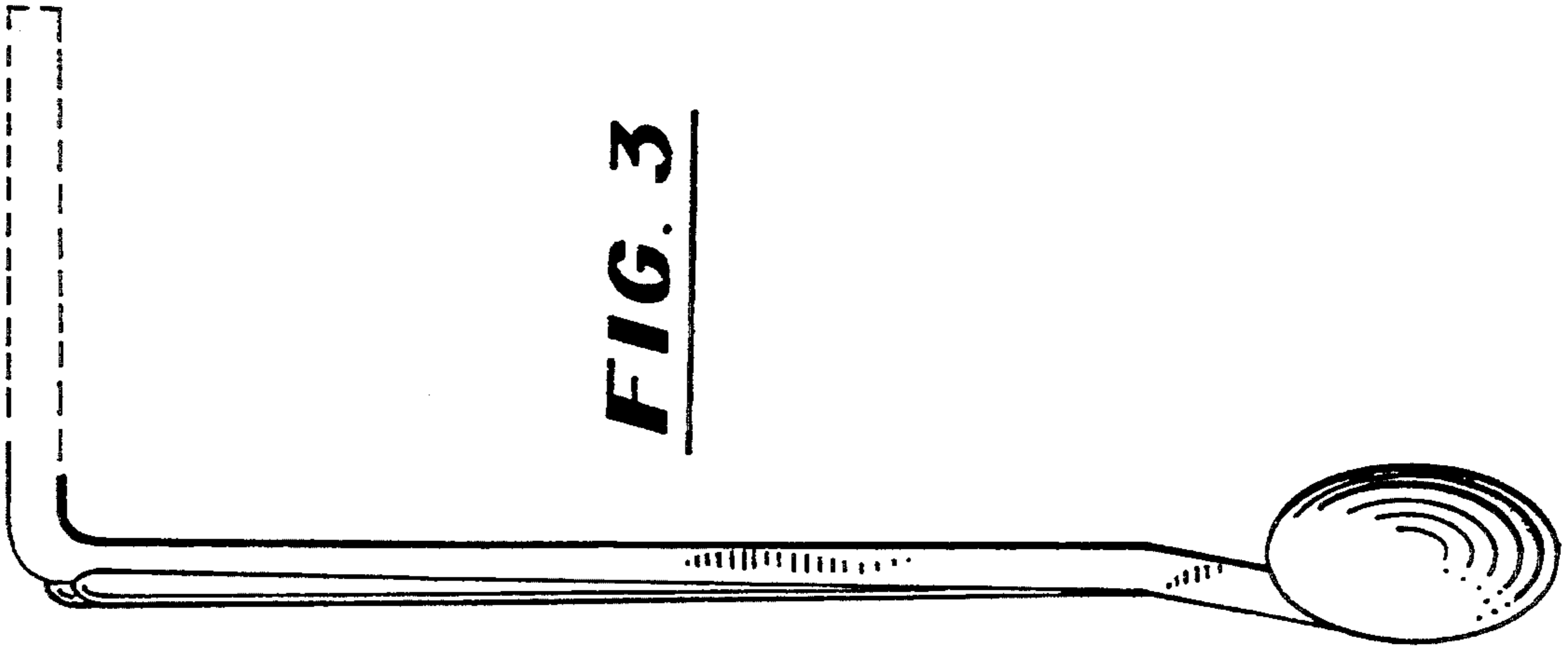


FIG. 3

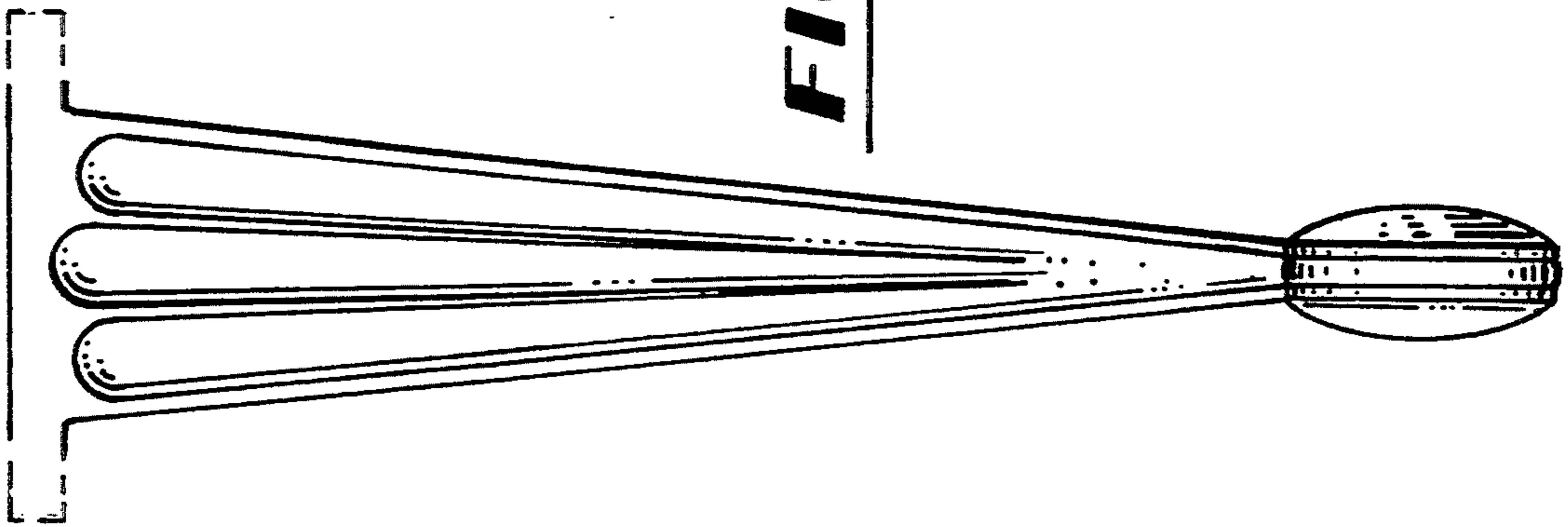


FIG. 4

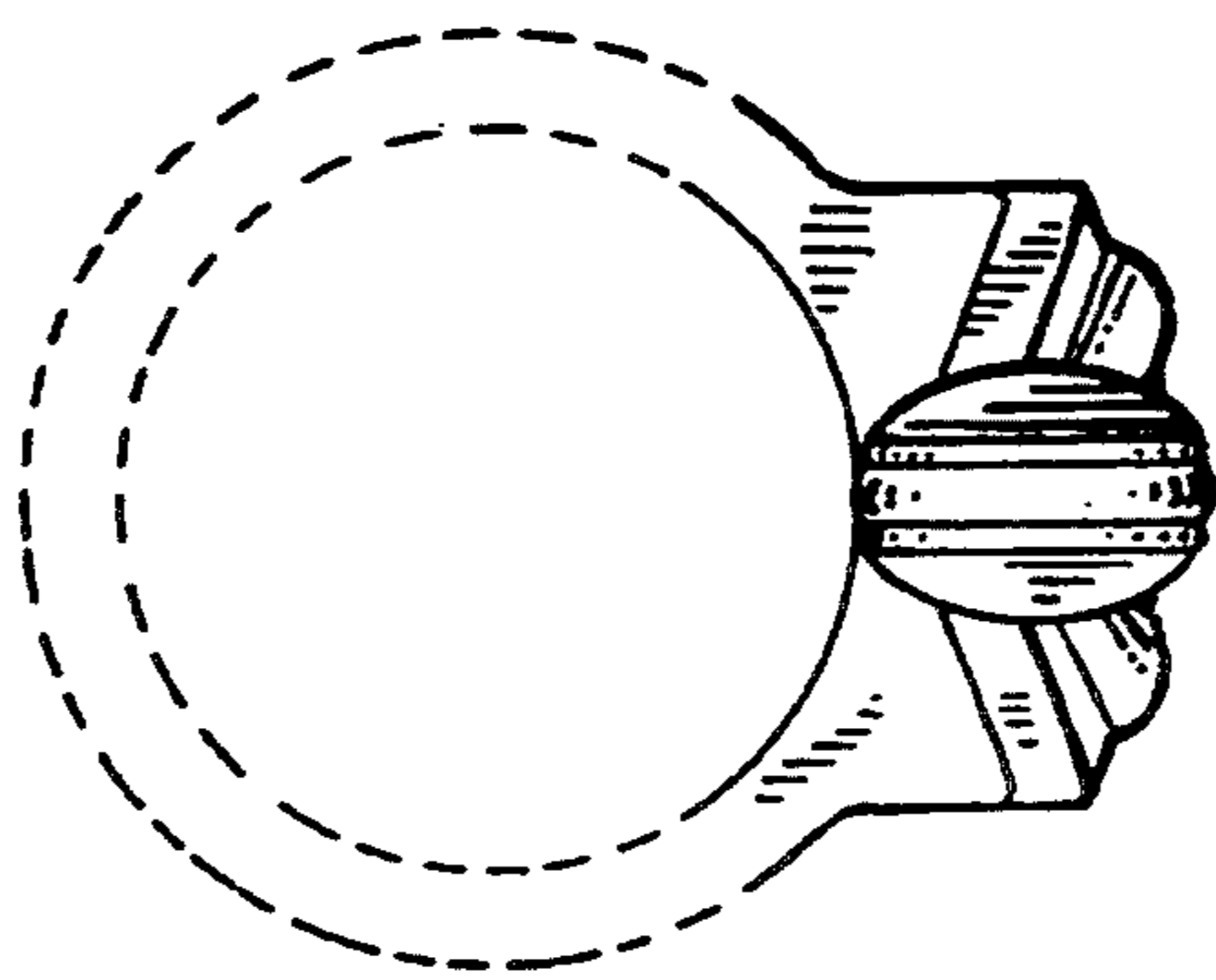


FIG. 6