



US00D358603S

# United States Patent [19]

[11] Patent Number: **Des. 358,603**

Dodge et al.

[45] Date of Patent: **\*\* May 23, 1995**

[54] **INK-JET PRINTER**

[75] Inventors: **Charles W. Dodge**, Escondido;  
**Ronald J. Kaplan**, San Marcos;  
**Pamela D. Ryan**, Menlo Park, all of Calif.

[73] Assignee: **Hewlett-Packard Company**, Palo Alto, Calif.

[\*\*] Term: **14 Years**

[21] Appl. No.: **7,764**

[22] Filed: **Apr. 30, 1993**

[52] U.S. Cl. .... **D18/55**

[58] Field of Search ..... **D18/36-37,**  
**D18/50, 54-55; 400/691-694, 613,**  
**613.1-613.4, 690.1-690.4**

[56] **References Cited**

**U.S. PATENT DOCUMENTS**

- D. 213,228 1/1969 Jones et al. .... D18/36
- D. 307,439 4/1990 Doi .
- D. 320,999 10/1991 Sugawara .
- D. 321,364 11/1991 Eto et al. .... D18/55
- D. 322,090 12/1991 McClelland et al. .... D18/55
- D. 322,451 12/1991 McClelland et al. .... D18/55
- D. 331,069 11/1992 Hanasaki et al. .... D18/55
- D. 335,894 5/1993 Nishikaze et al. .... D18/55
- D. 340,470 10/1993 Tsutsui ..... D18/50

**OTHER PUBLICATIONS**

Spectra Star Q40 Line Printer brochure; Cover photograph.

Newgen Systems Corporation brochure for imager Plus 12; plain paper imagesetter; ©1993.

Digital advertisement in The Office; Jan. 1986; p. 109; LN03 dot Matrix printer.

Maxi-Ris Plain paper typesetter brochure by Printers Plus, Inc.; cover drawing.

Mackintosh HP Deskwriter technical datasheet; Feb. 1990; cover photograph.

*Primary Examiner*—Cathy Anne MacCormac

[57] **CLAIM**

The ornamental design for an ink-jet printer, as shown and described.

**DESCRIPTION**

FIG. 1 is a perspective view of an ink-jet printer showing one embodiment of our new design, with input and output trays;

FIG. 2 is a front elevational view thereof;

FIG. 3 is a left side elevational view thereof;

FIG. 4 is a right side elevational view thereof;

FIG. 5 is a rear elevational view thereof;

FIG. 6 is a top plan view thereof;

FIG. 7 is a bottom plan view thereof;

FIG. 8 is a perspective view of an alternate embodiment of our new design, without input and output trays;

FIG. 9 is a front elevational view thereof;

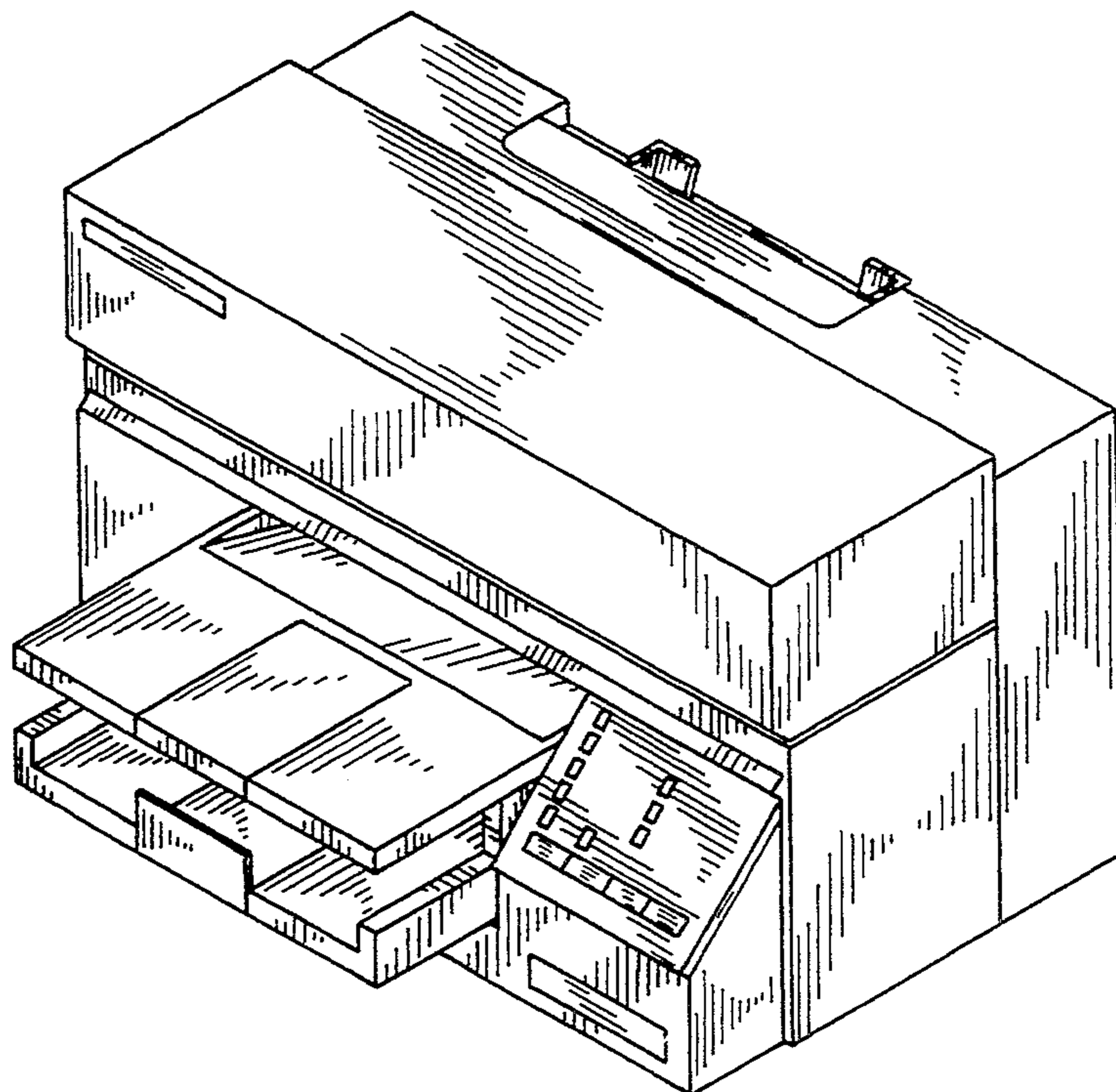
FIG. 10 is a left side elevational view thereof;

FIG. 11 is a right side elevational view thereof;

FIG. 12 is a top plan view thereof; and,

FIG. 13 is a bottom plan view thereof.

The rear elevational view of this alternate embodiment is identical to that shown in FIG. 5, and thus is not depicted here.



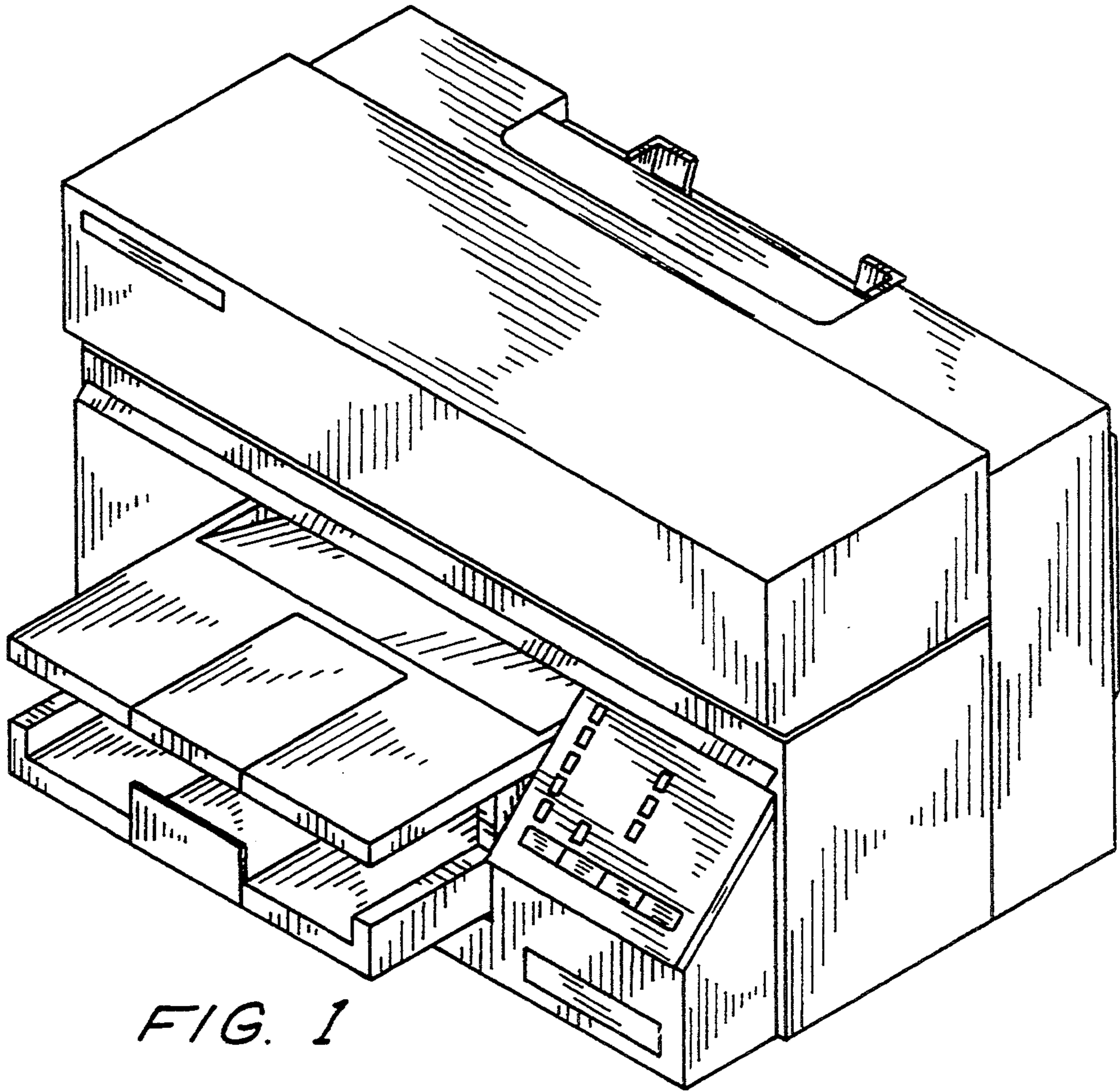


FIG. 1

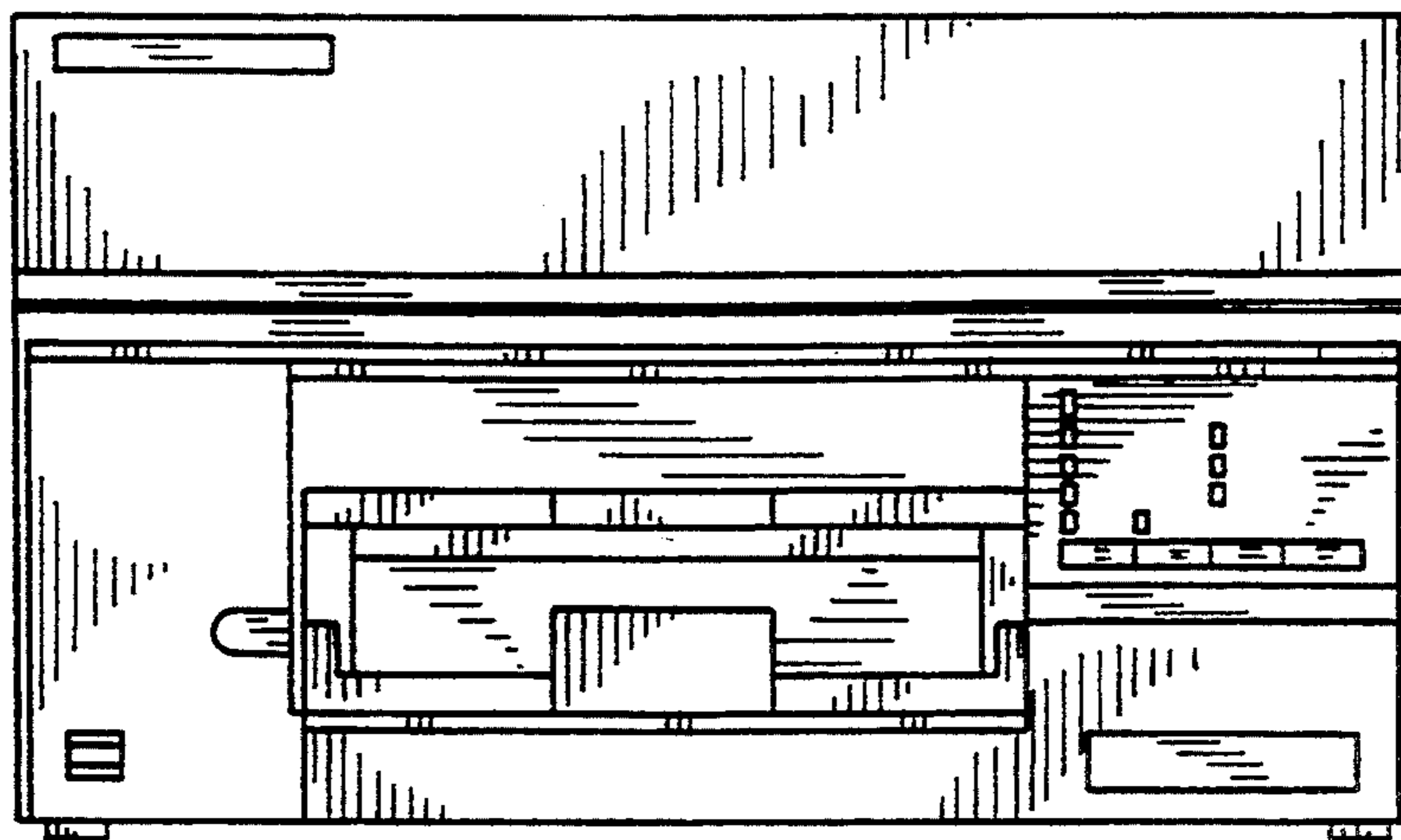


FIG. 2

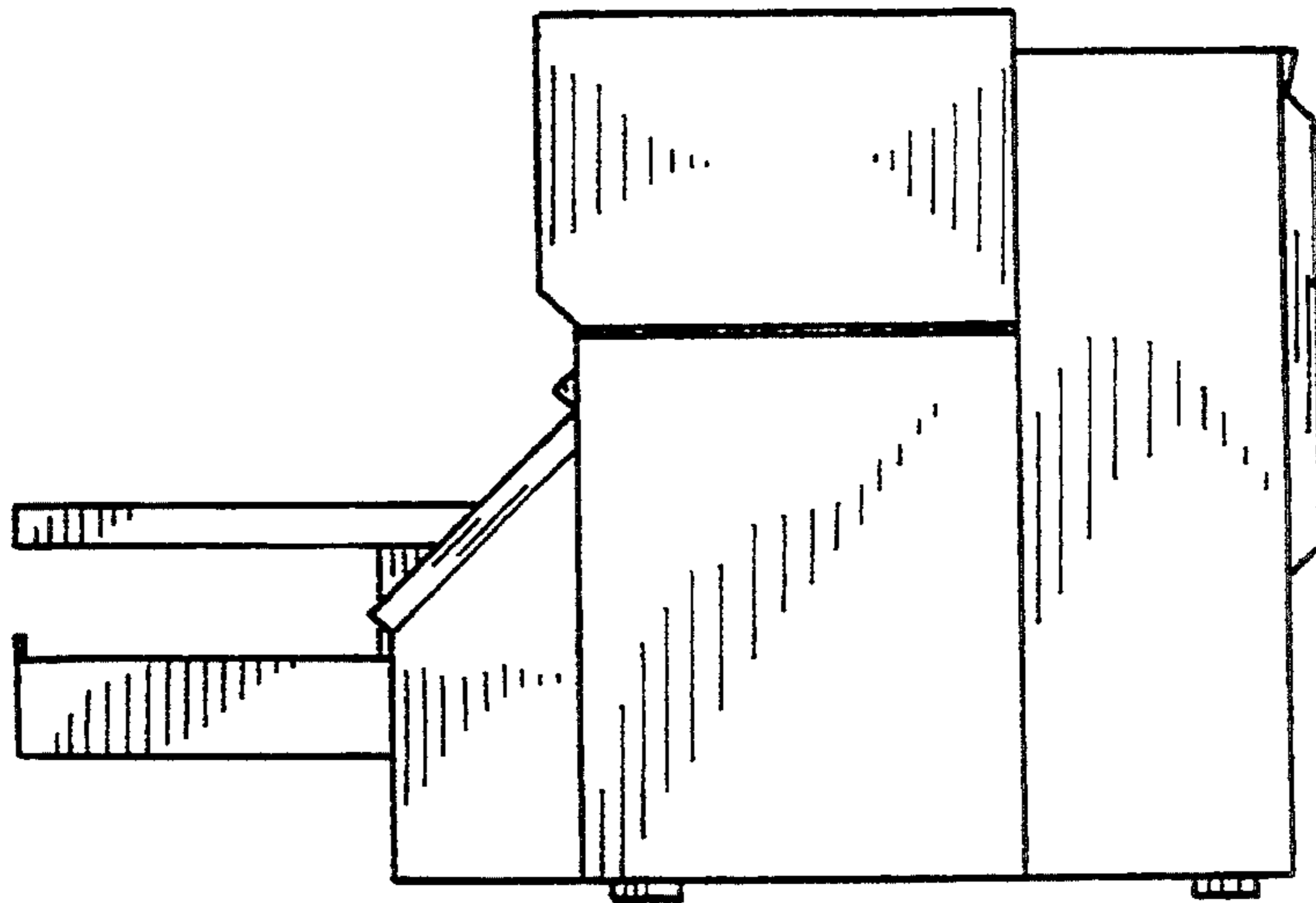


FIG. 3

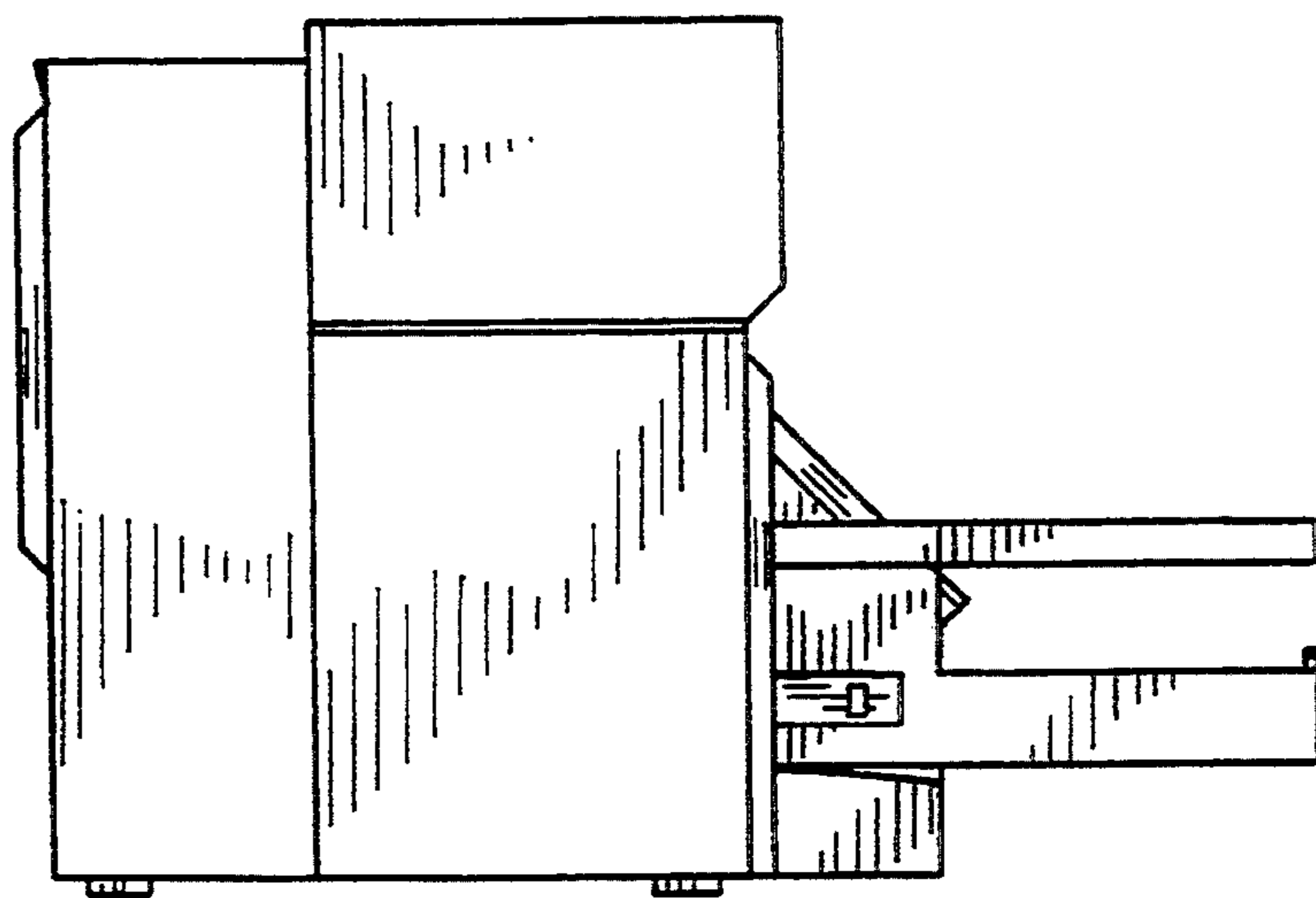


FIG. 4

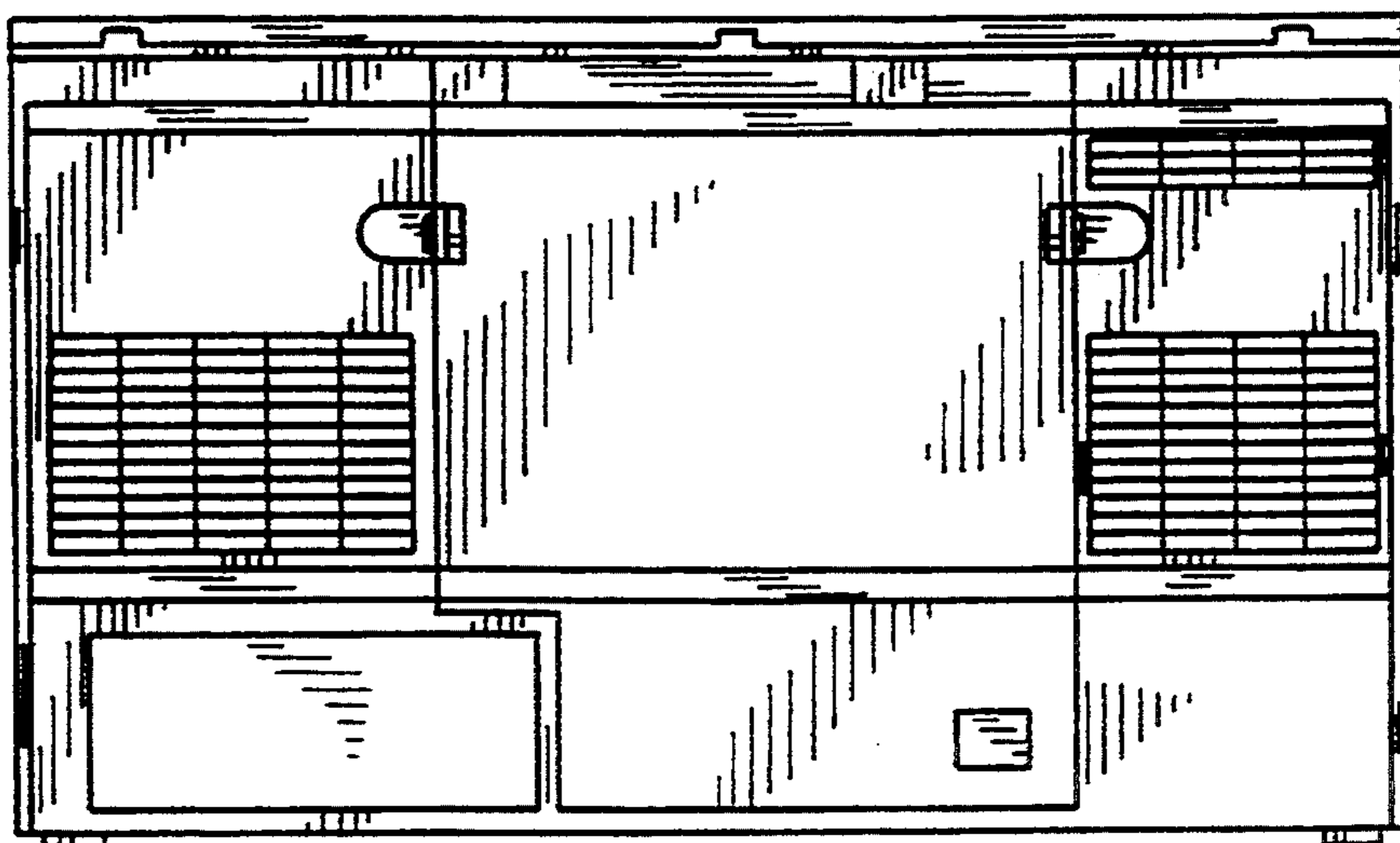


FIG. 5

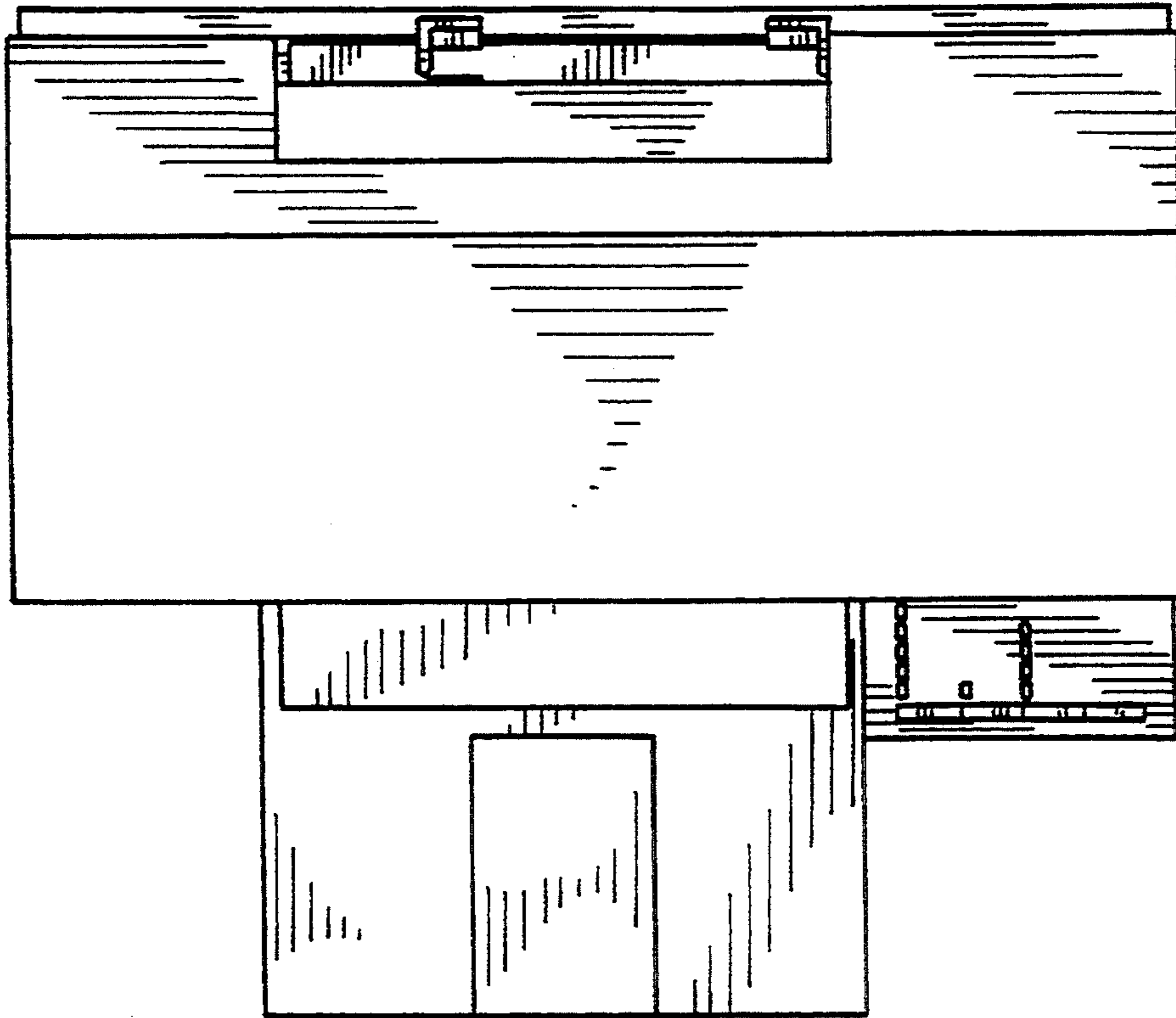


FIG. 6

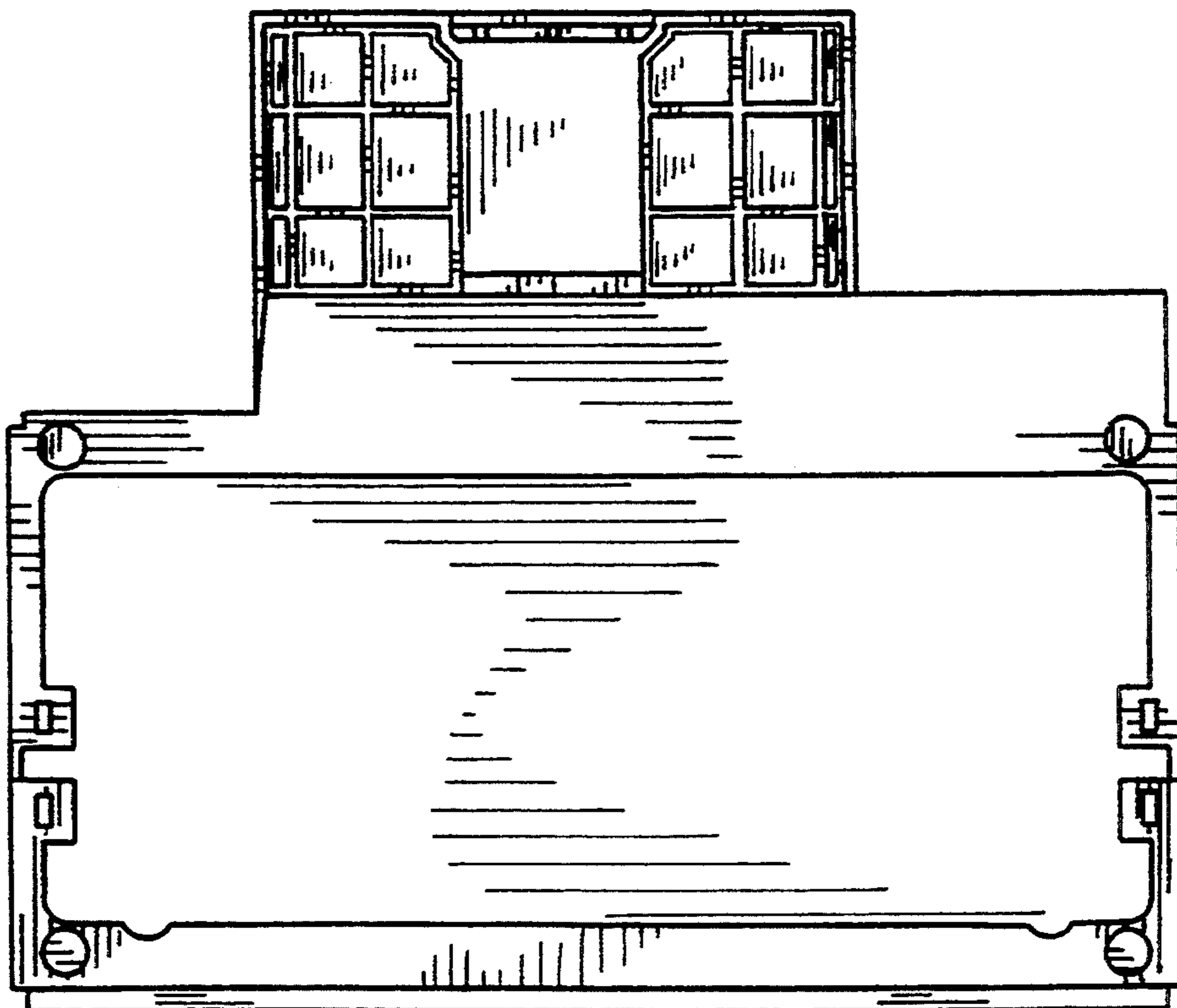


FIG. 7

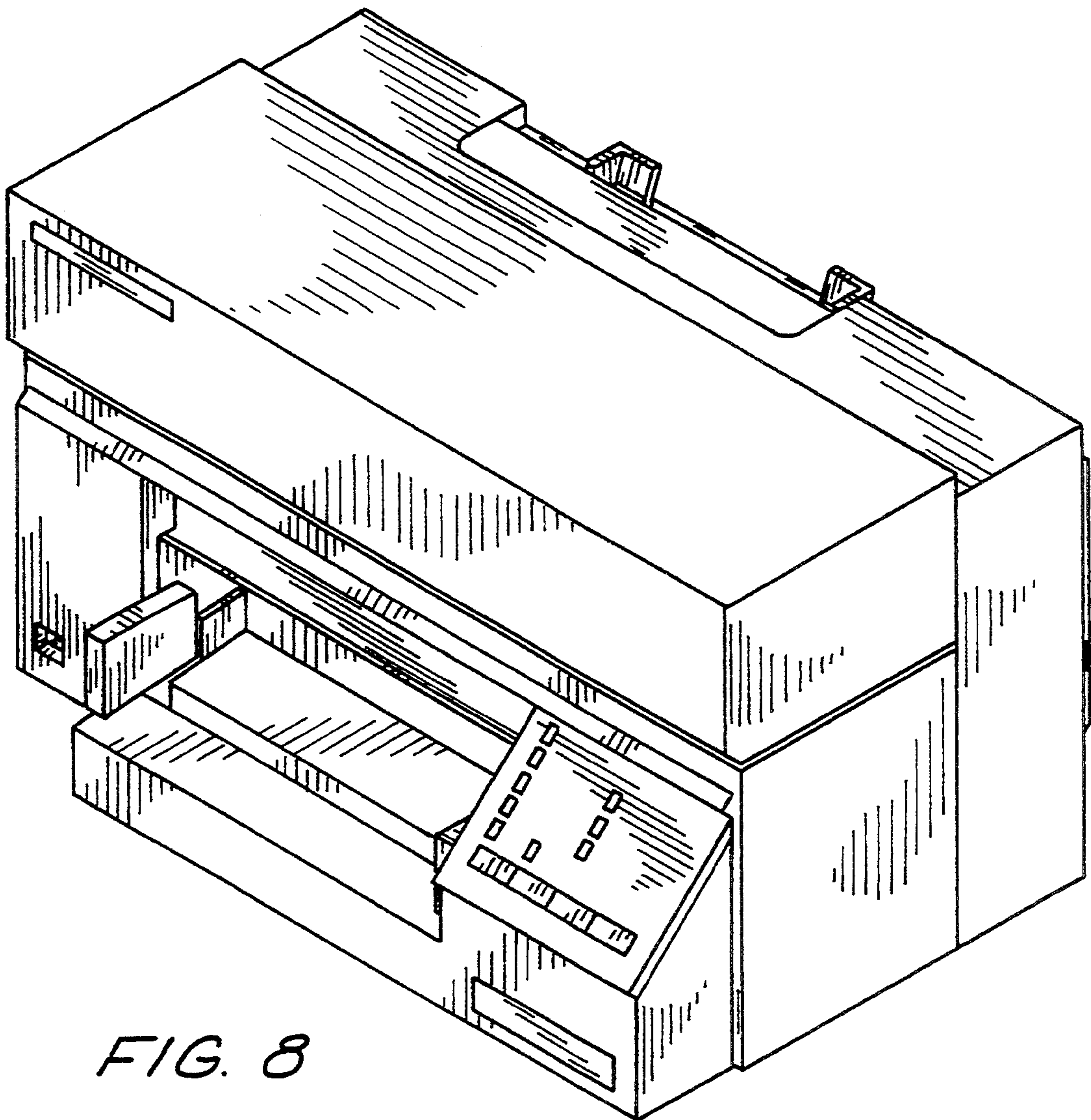


FIG. 8

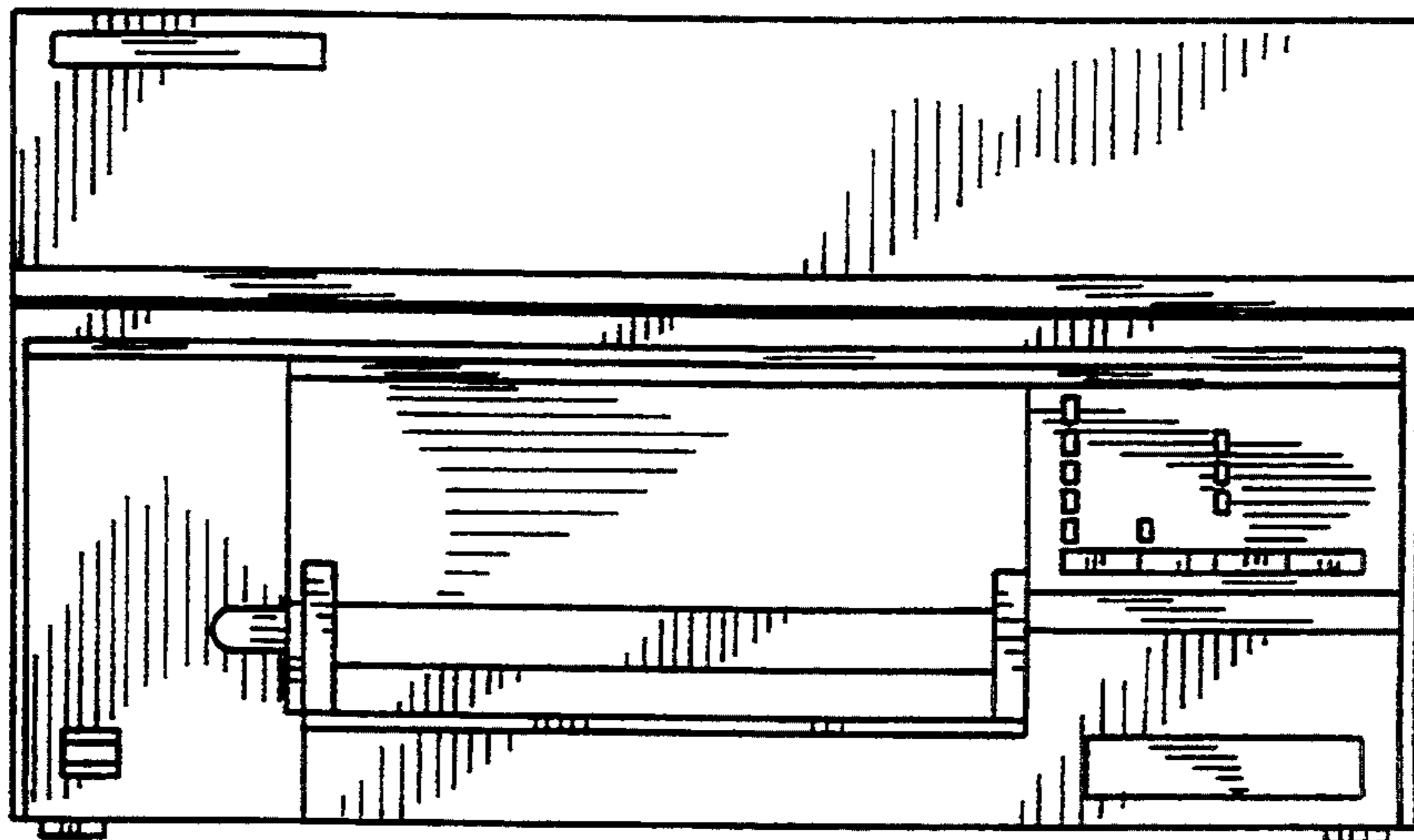


FIG. 9

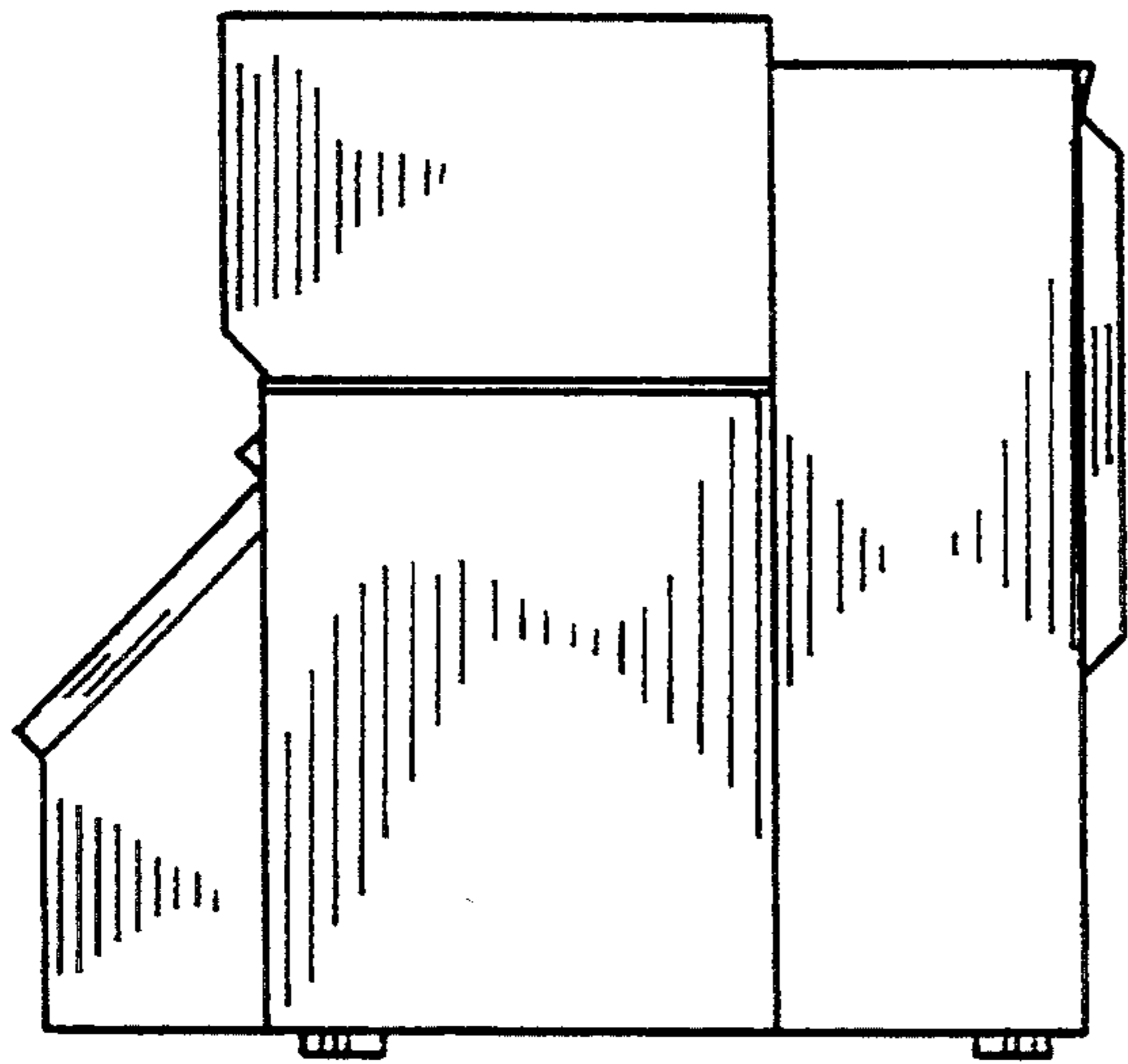


FIG. 10

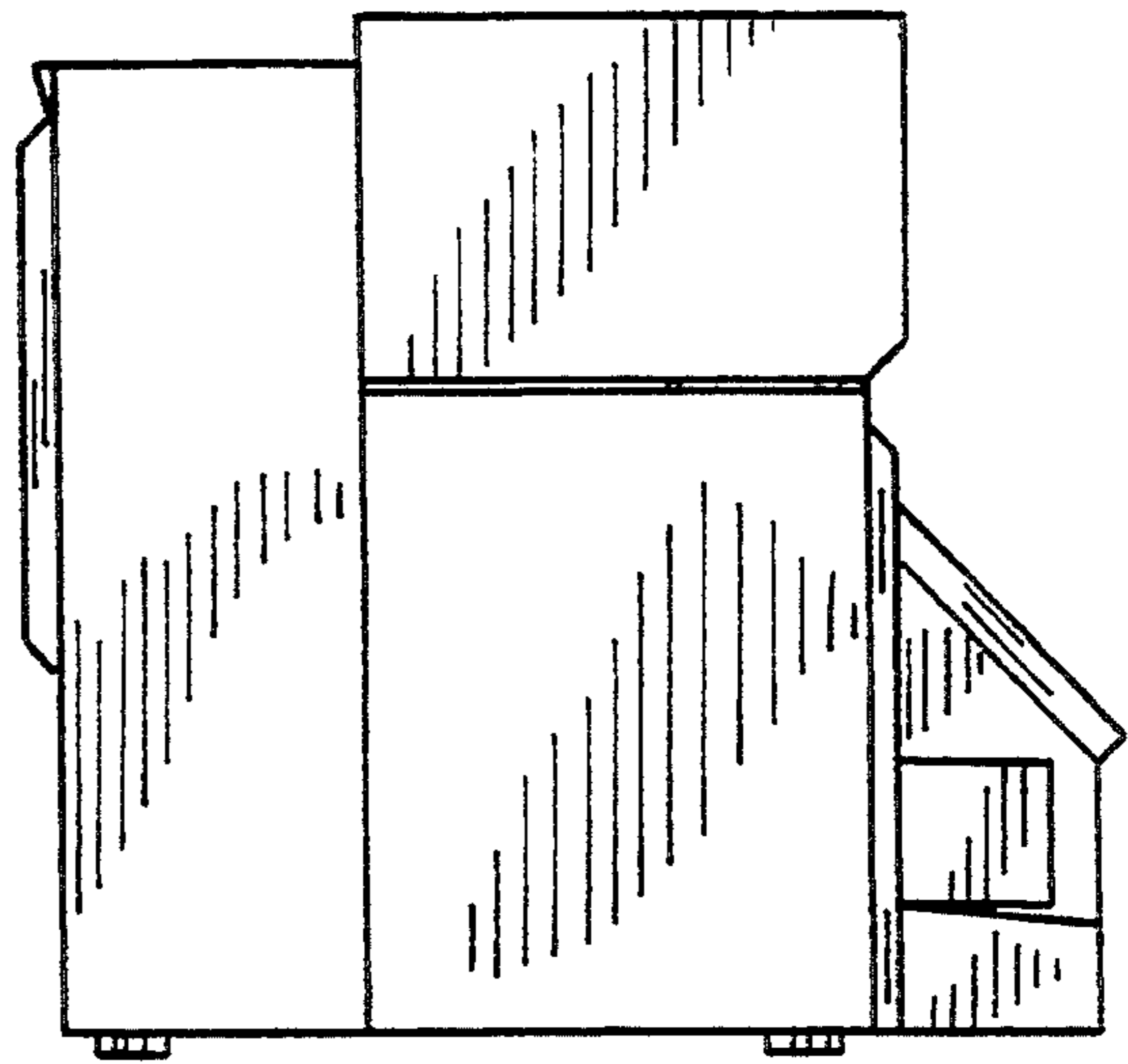


FIG. 11

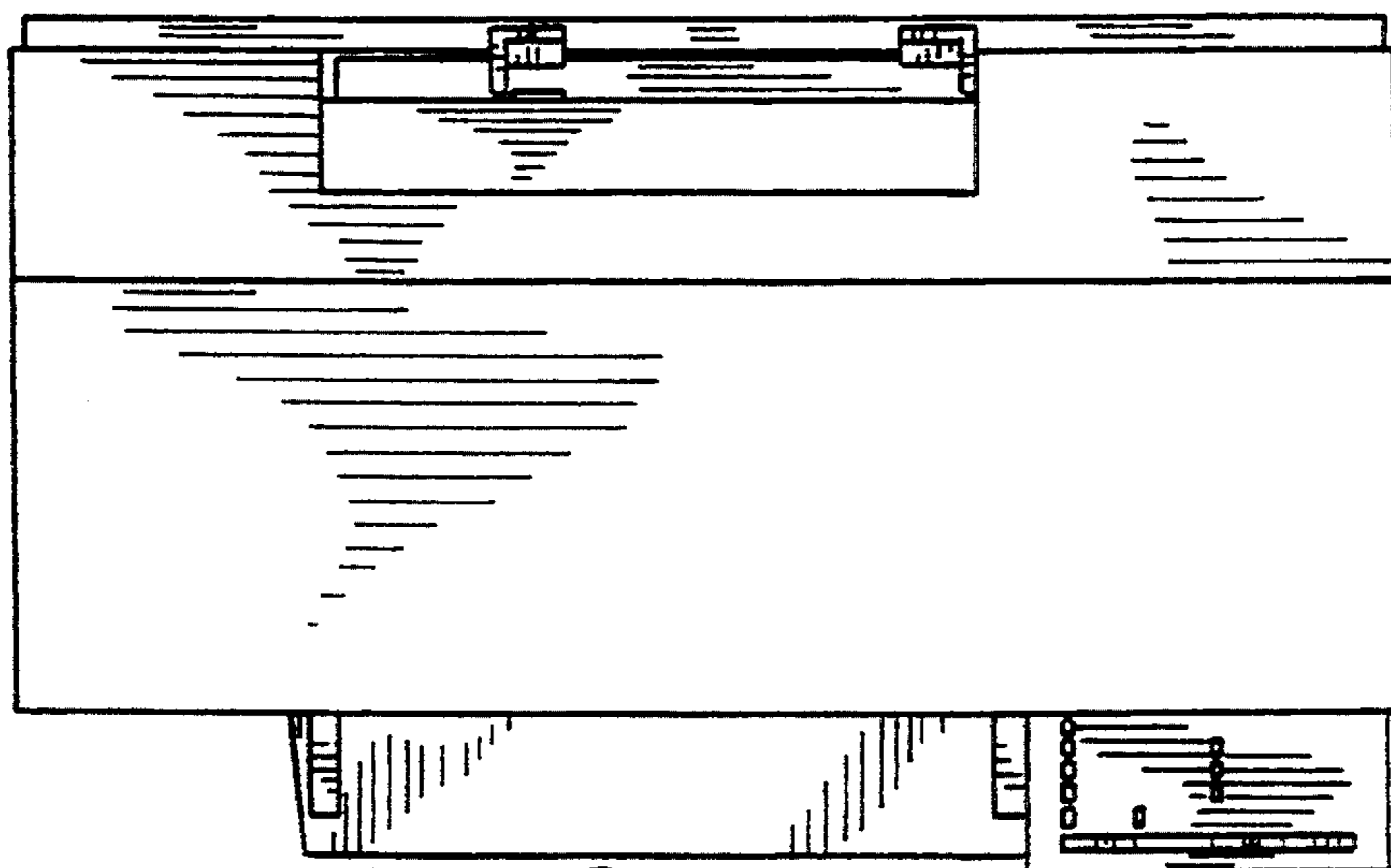


FIG. 12

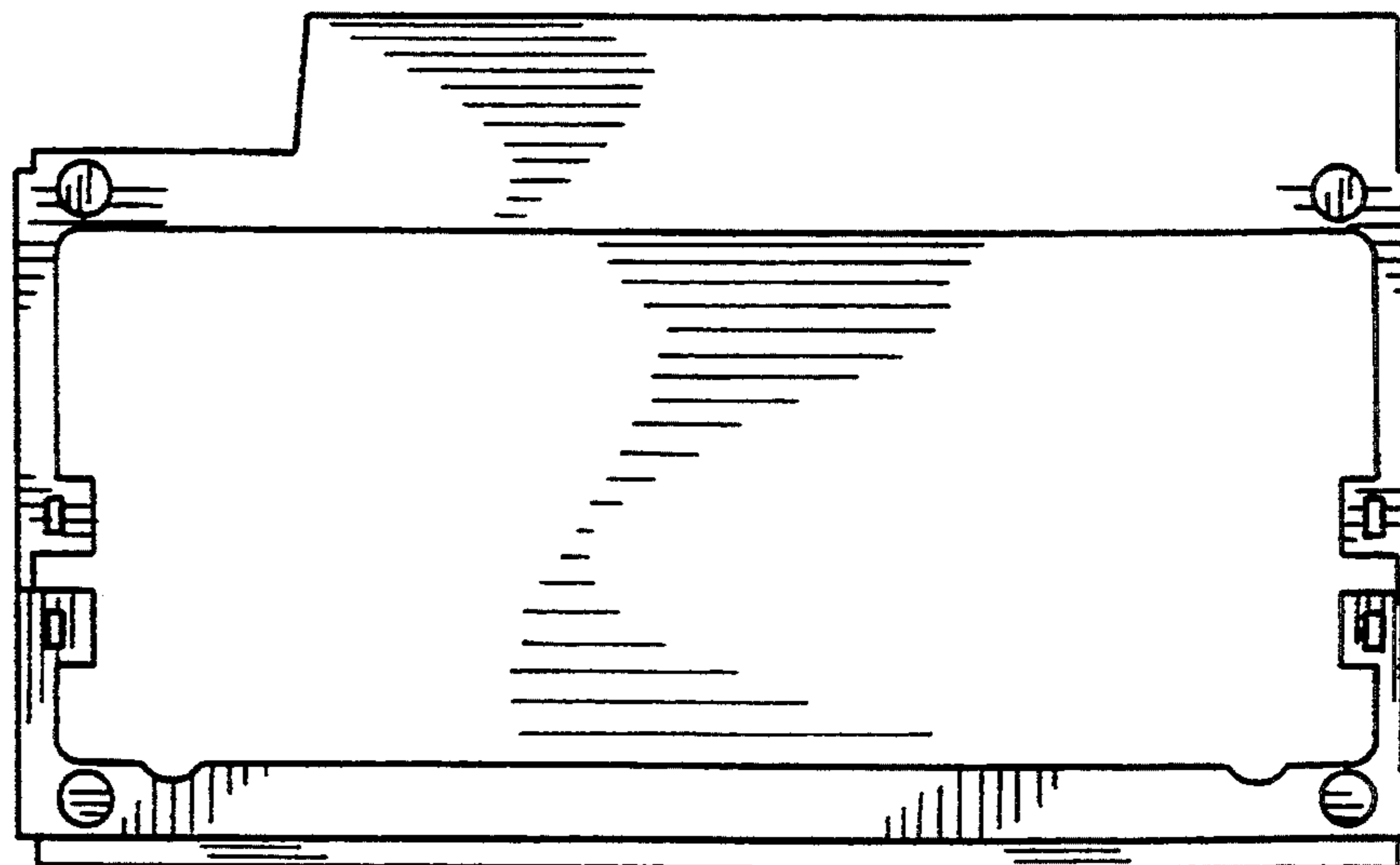


FIG. 13