



US00D358602S

United States Patent [19]

[11] Patent Number: **Des. 358,602**

Bilson

[45] Date of Patent: **** May 23, 1995**

[54] **REMOVABLE SORTER BIN UNIT FOR COLLATING SHEET MATERIAL**

- D. 339,825 9/1993 Hwang D19/86 X
- D. 341,376 11/1993 Feer D19/95 X
- 1,750,576 3/1930 Cubberley 211/11
- 4,134,581 1/1979 Johnson et al. 271/173
- 4,141,546 2/1979 Queener 271/173

[75] Inventor: **Carole A. Bilson**, Rochester, N.Y.

[73] Assignee: **Eastman Kodak Company**, Rochester, N.Y.

Primary Examiner—Martie Thompson
Attorney, Agent, or Firm—Charles E. Snee, III

[**] Term: **14 Years**

[57] **CLAIM**

[21] Appl. No.: **22,321**

The ornamental design for removable sorter bin unit for collating sheet material, as shown and described.

[22] Filed: **Mar. 31, 1994**

DESCRIPTION

[52] U.S. Cl. **D18/48; D19/86; D19/90**

[58] Field of Search **D18/46-48; D19/65, 75, 78, 86, 90, 91, 99, 100; 211/11, 10, 13, 42, 45, 50, 126, 128, 55; 220/8; 206/425; 270/58; 271/64, 173, 272-274, 280, 283-302**

FIG. 1 is a perspective view of a removable sorter bin unit for collating sheet material showing my new design;

FIG. 2 is a right front perspective view;

FIG. 3 is a side elevational view;

FIG. 4 is a side elevational view of the side opposite that shown in FIG. 3;

FIG. 5 is a front elevational view;

FIG. 6 is a rear elevational view;

FIG. 7 is a bottom plan view; and,

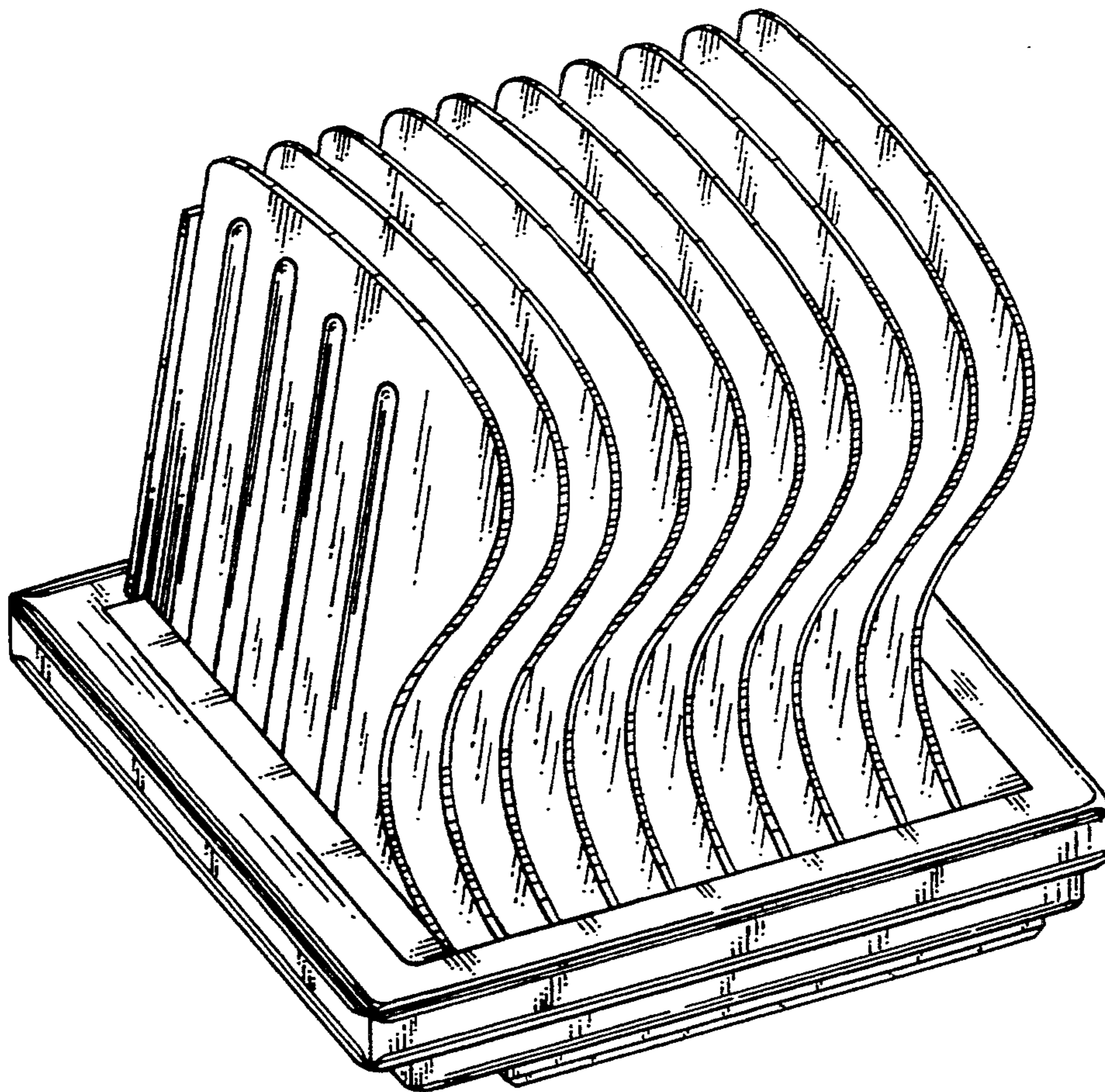
FIG. 8 is a top plan view thereof.

The printer depicted by means of broken lines in FIG. 1 has been shown for illustrative purposes only and forms no part of the claimed design.

[56] **References Cited**

U.S. PATENT DOCUMENTS

- D. 143,643 1/1946 Burger D19/90
- D. 180,863 8/1957 Collins D19/90
- D. 254,975 5/1980 Gambrell et al. D18/48
- D. 281,699 12/1985 Fukuda D18/48
- D. 320,809 10/1991 Hiroki D18/48
- D. 332,726 1/1993 Goodman et al. D19/90 X



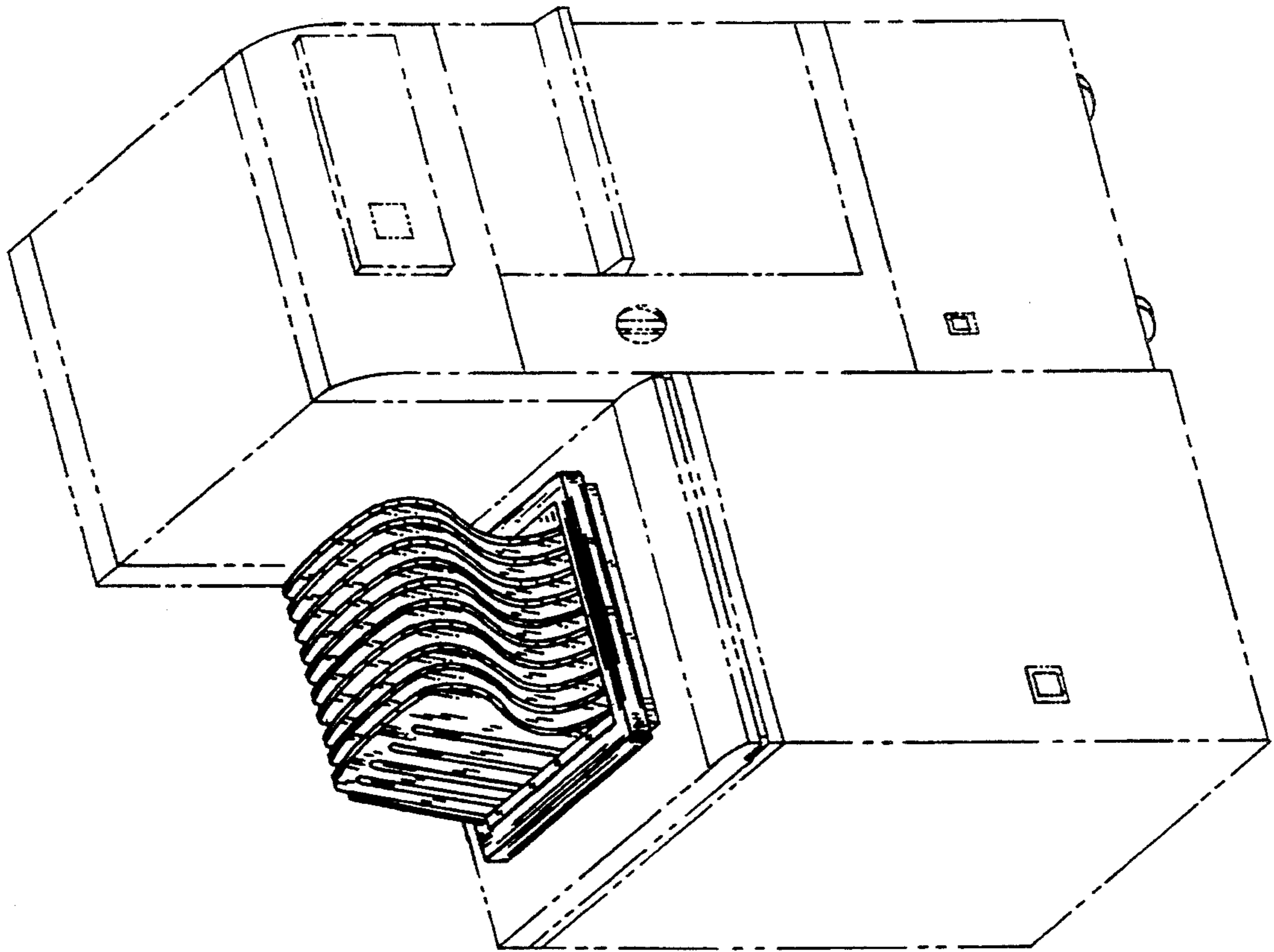


FIG. 1

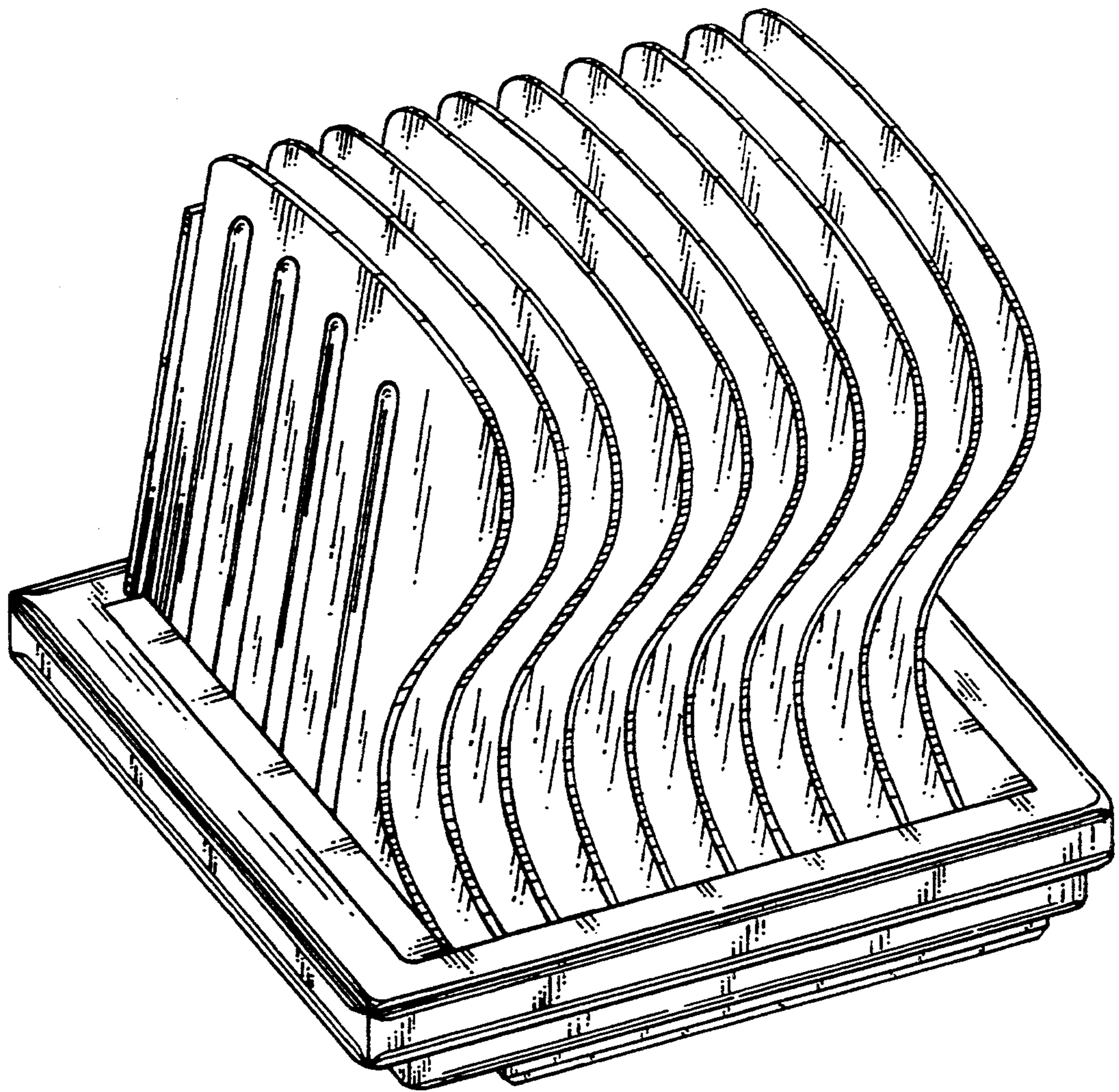


FIG. 2

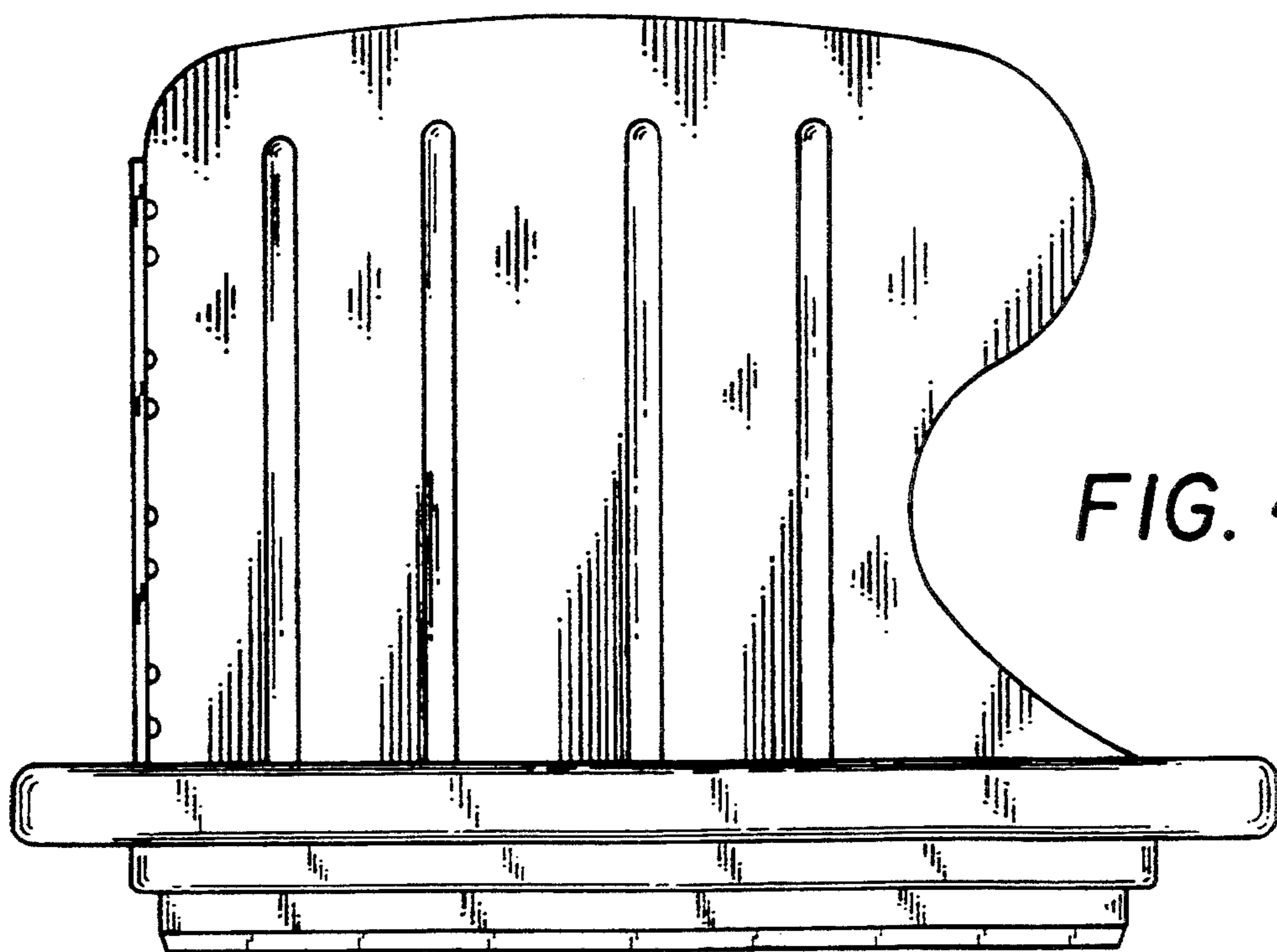
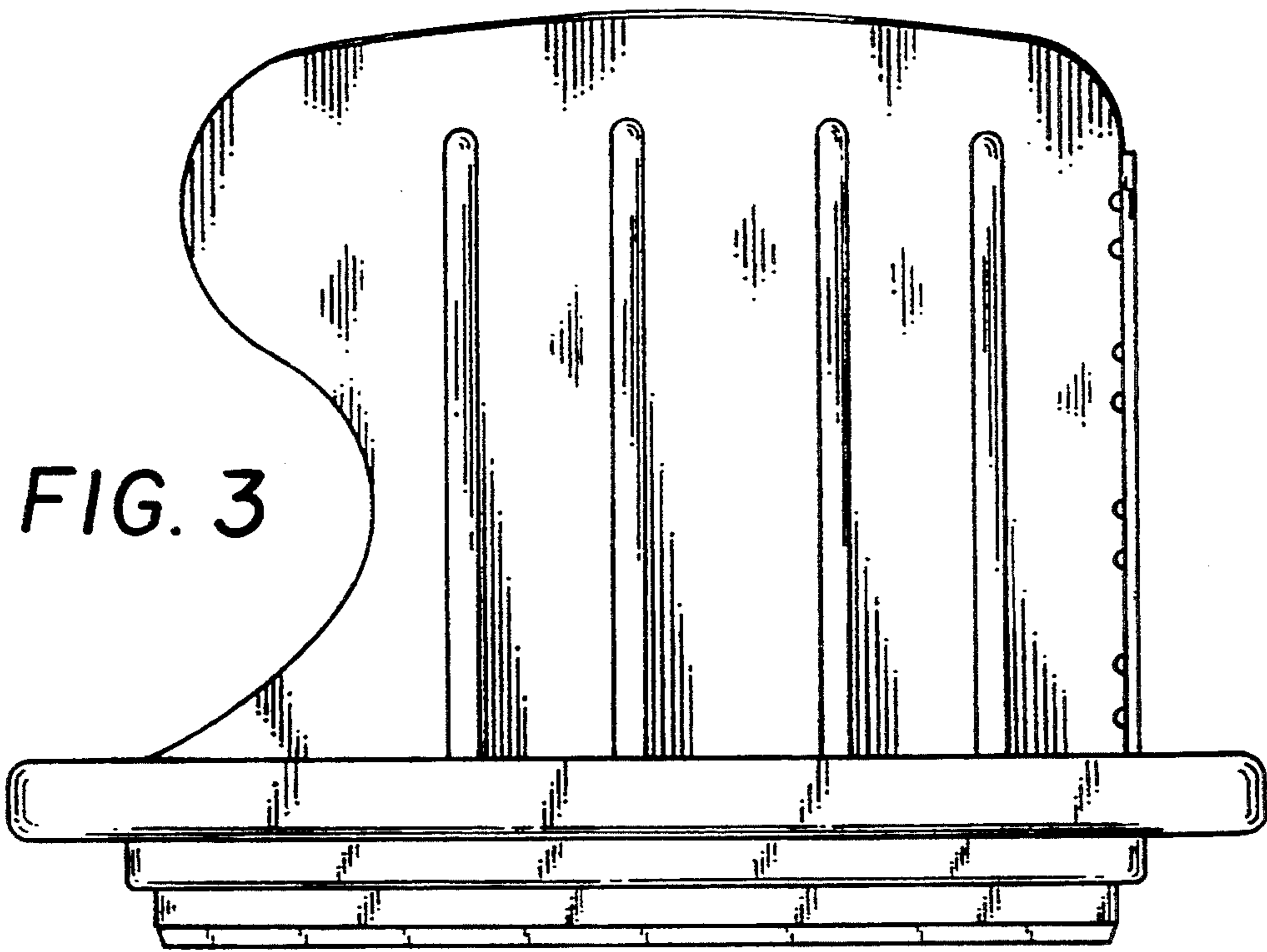


FIG. 5

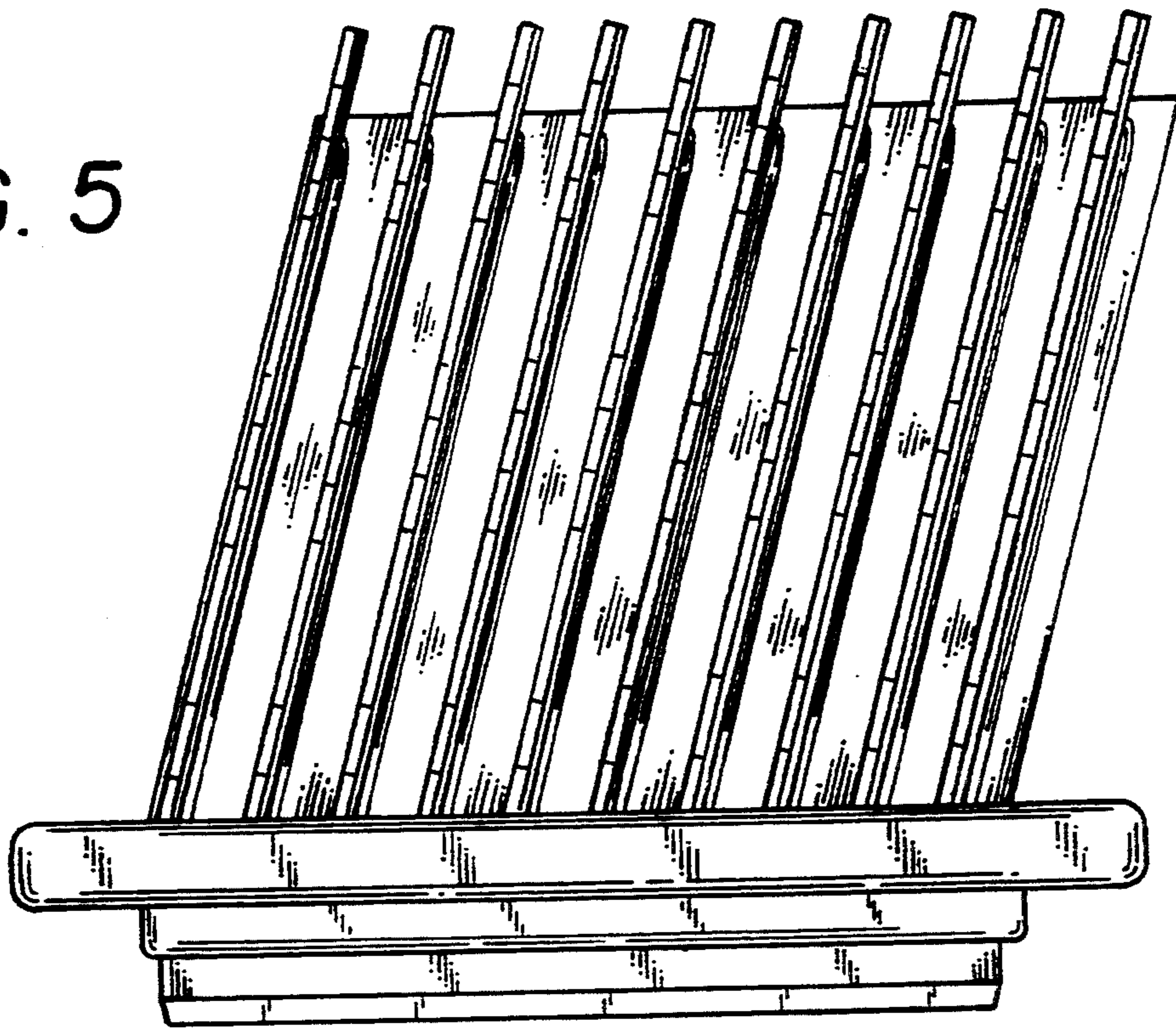
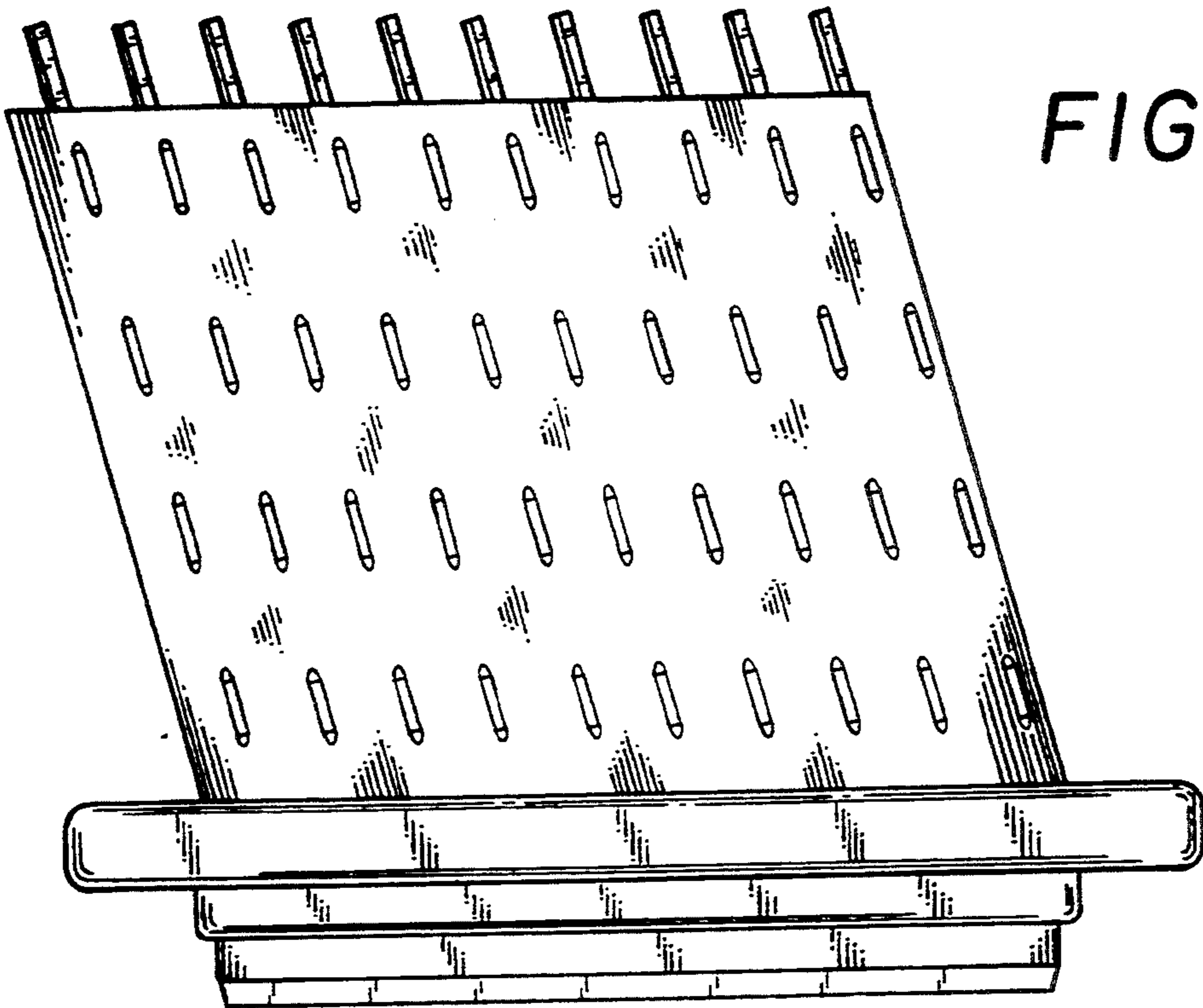


FIG. 6



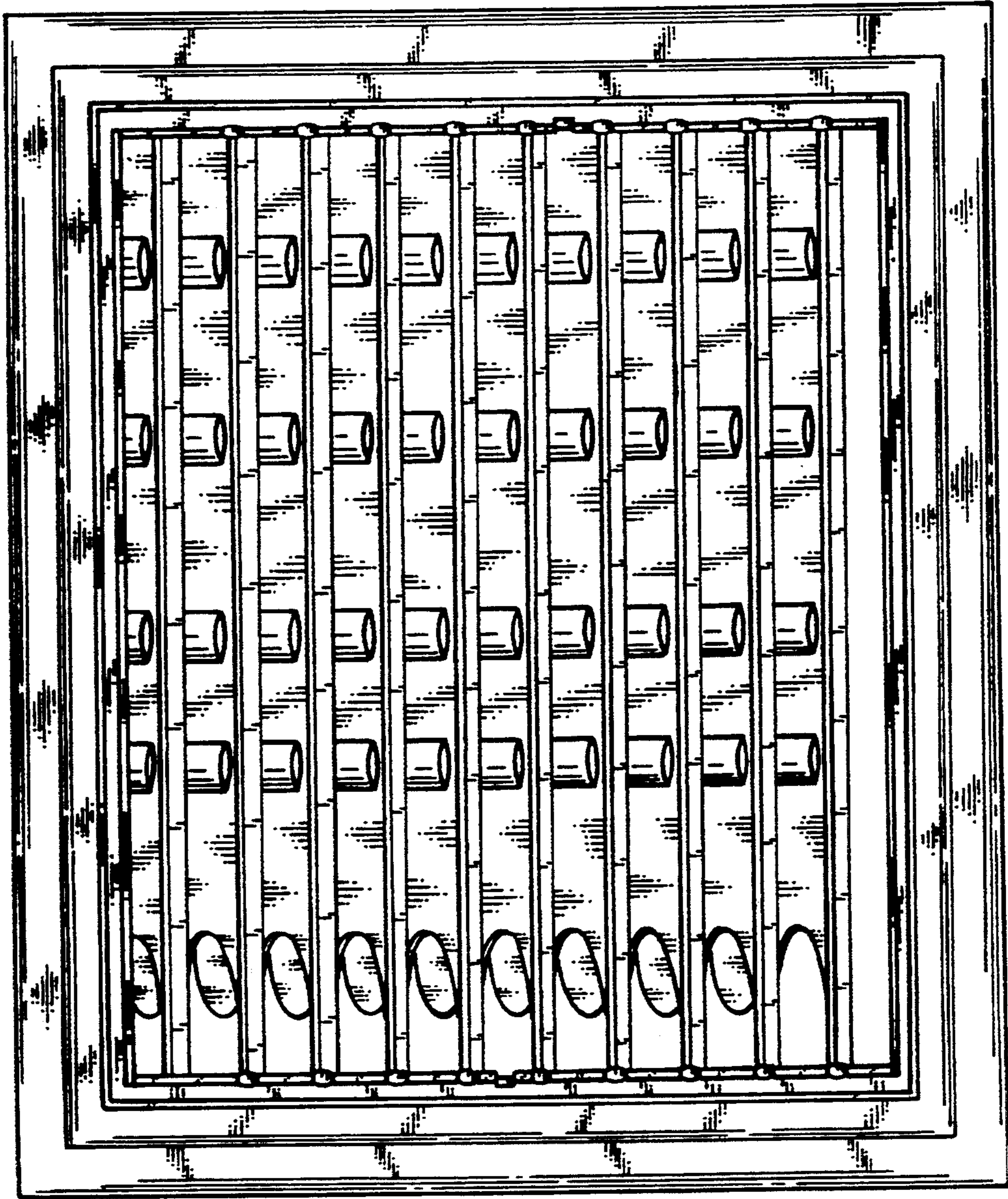


FIG. 7

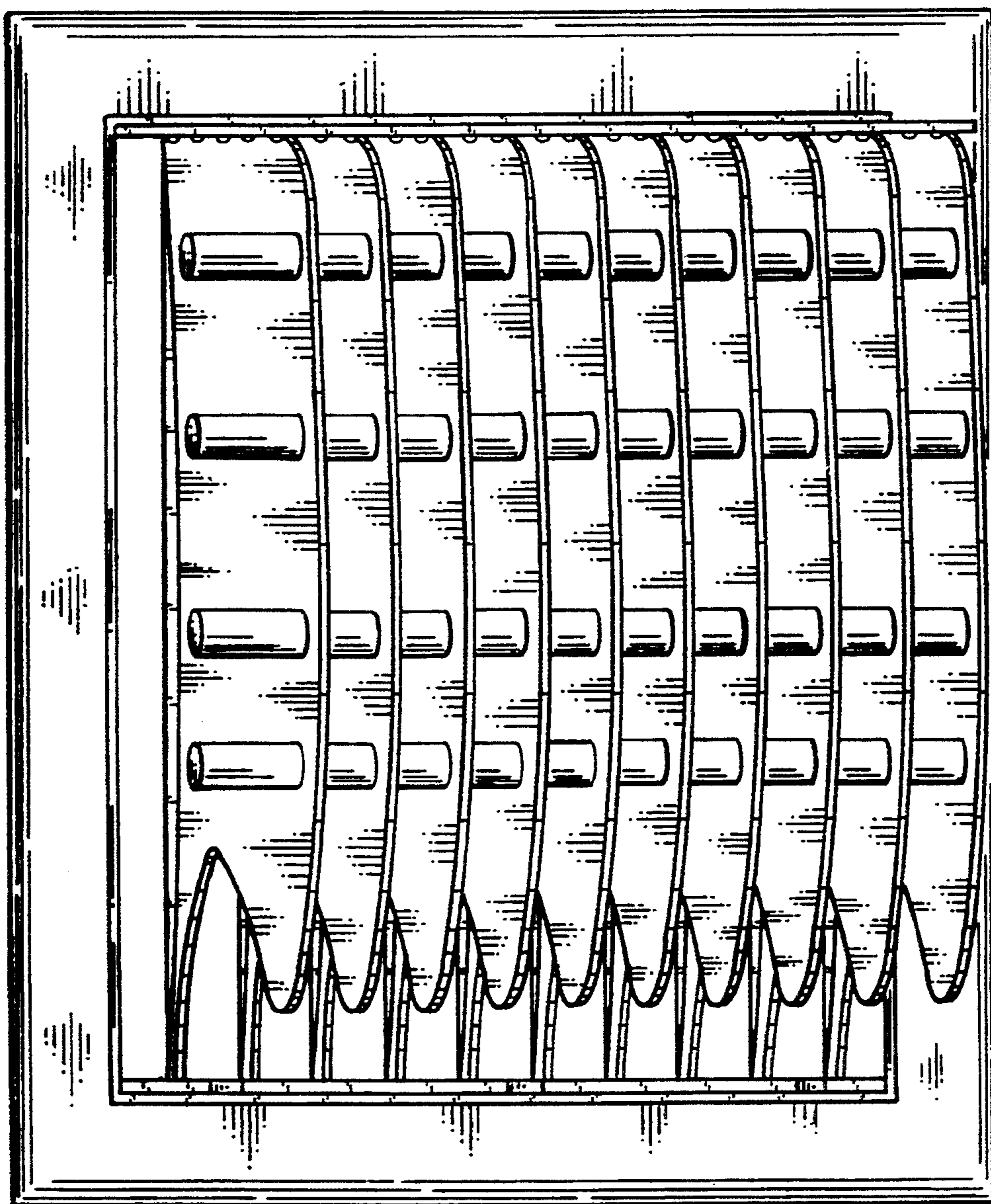


FIG. 8