



US00D358599S

# United States Patent [19]

[11] Patent Number: **Des. 358,599**

**Dietterich et al.**

[45] Date of Patent: **\*\* May 23, 1995**

[54] **MOLDING APPARATUS**

3204052 8/1983 Germany .

[75] Inventors: **Charles W. Dietterich**,  
Brodheadsville, Pa.; **Richard A. Tarozzi**,  
Gales Ferry, Conn.

### OTHER PUBLICATIONS

Tyco Industries, Inc., photocopies of top and bottom of box for "Mickey's Farm" Toy Set; printed in U.S.A., 1990.

[73] Assignee: **Binney & Smith Inc.**, Easton, Pa.

Tyco Industries, Inc., Directions from Super Dough "Mickey's Farm" Toy Set; printed in the U.S.A., 1990, 2 pages.

[\*\*] Term: **14 Years**

Kenner, Photocopies of top and bottom of box for "Bright Starters Farm Set", 1989.

[21] Appl. No.: **4,815**

Kenner, Directions from "Bright Starters Farm Set", 1989, 2 pages.

[22] Filed: **Feb. 16, 1993**

[52] U.S. Cl. .... **D15/135**

[58] Field of Search ..... **D15/135, 136, 137;**  
249/170, 171, 172; 425/406, 408, 409, 451.3,  
DIG. 57

*Primary Examiner*—Alan P. Douglas

*Assistant Examiner*—Antoine D. Davis

*Attorney, Agent, or Firm*—Leydig, Voit & Mayer, Ltd.

[56] **References Cited**

### U.S. PATENT DOCUMENTS

D. 211,608	7/1968	Gray	.....	D15/135
1,224,687	5/1917	Taliaferro	.....	249/170 X
1,698,836	1/1929	Bartley et al.	.	
1,932,298	10/1933	Van Emden	.....	107/19
2,954,597	10/1960	McFarland et al.	.....	25/118
3,257,484	6/1966	Barnette	.....	264/47
3,325,861	6/1967	Pincus et al.	.....	18/5
3,380,121	4/1968	Chittenden et al.	.....	18/35
3,536,290	10/1970	Terry	.....	249/103
3,552,711	1/1971	DeLaney	.....	425/DIG. 57 X
3,741,706	6/1973	Conley et al.	.....	425/406
4,344,529	8/1982	Ibarzabal	.....	206/77
4,440,377	4/1984	Hujik	.....	249/119
4,569,815	2/1986	Rentz et al.	.....	264/323

### FOREIGN PATENT DOCUMENTS

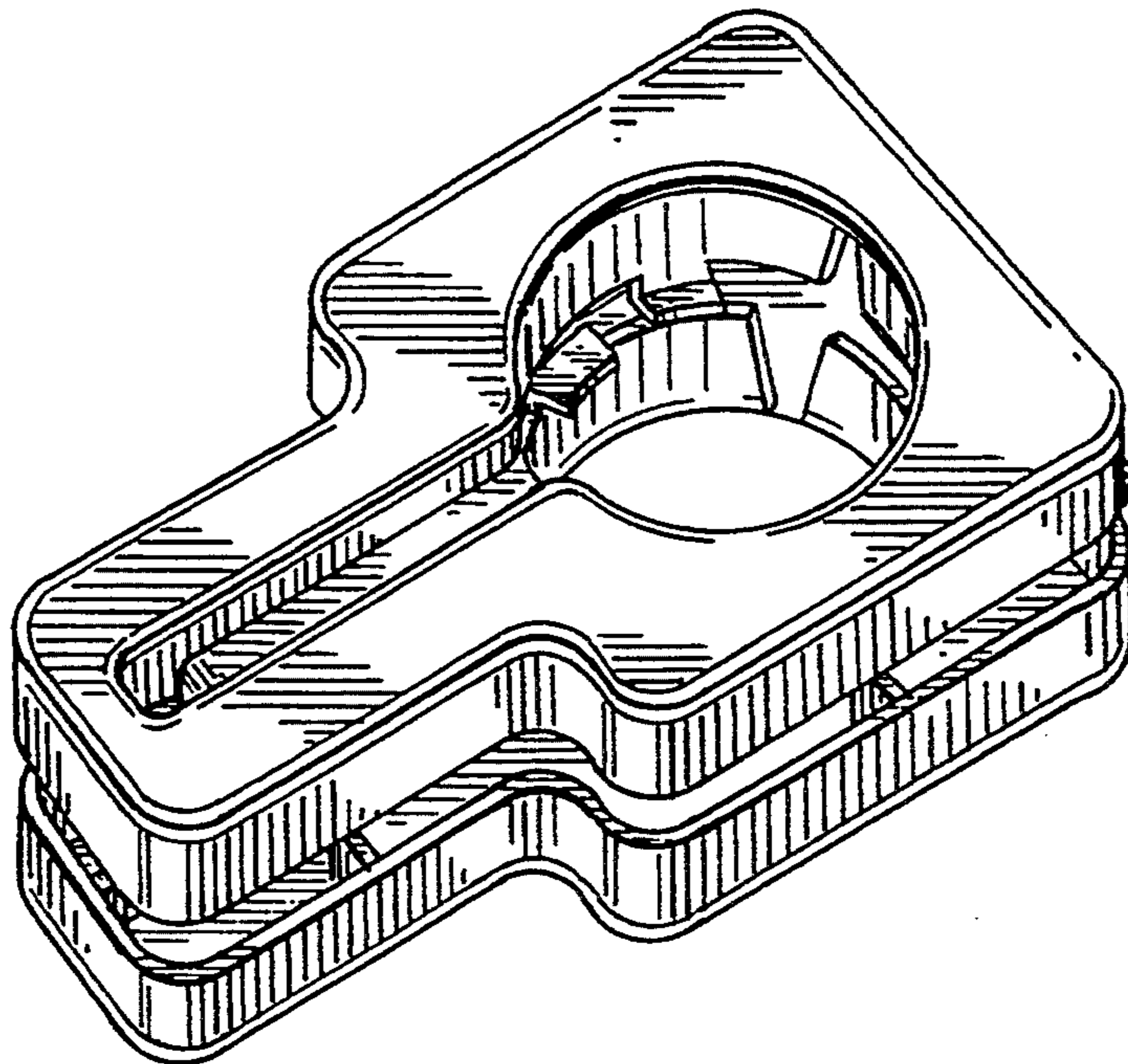
709562	1/1965	Canada	.....	425/DIG. 57
0061715	3/1982	European Pat. Off.	.	
549394	4/1932	Germany	.	
2009104	9/1970	Germany	.	

[57] **CLAIM**

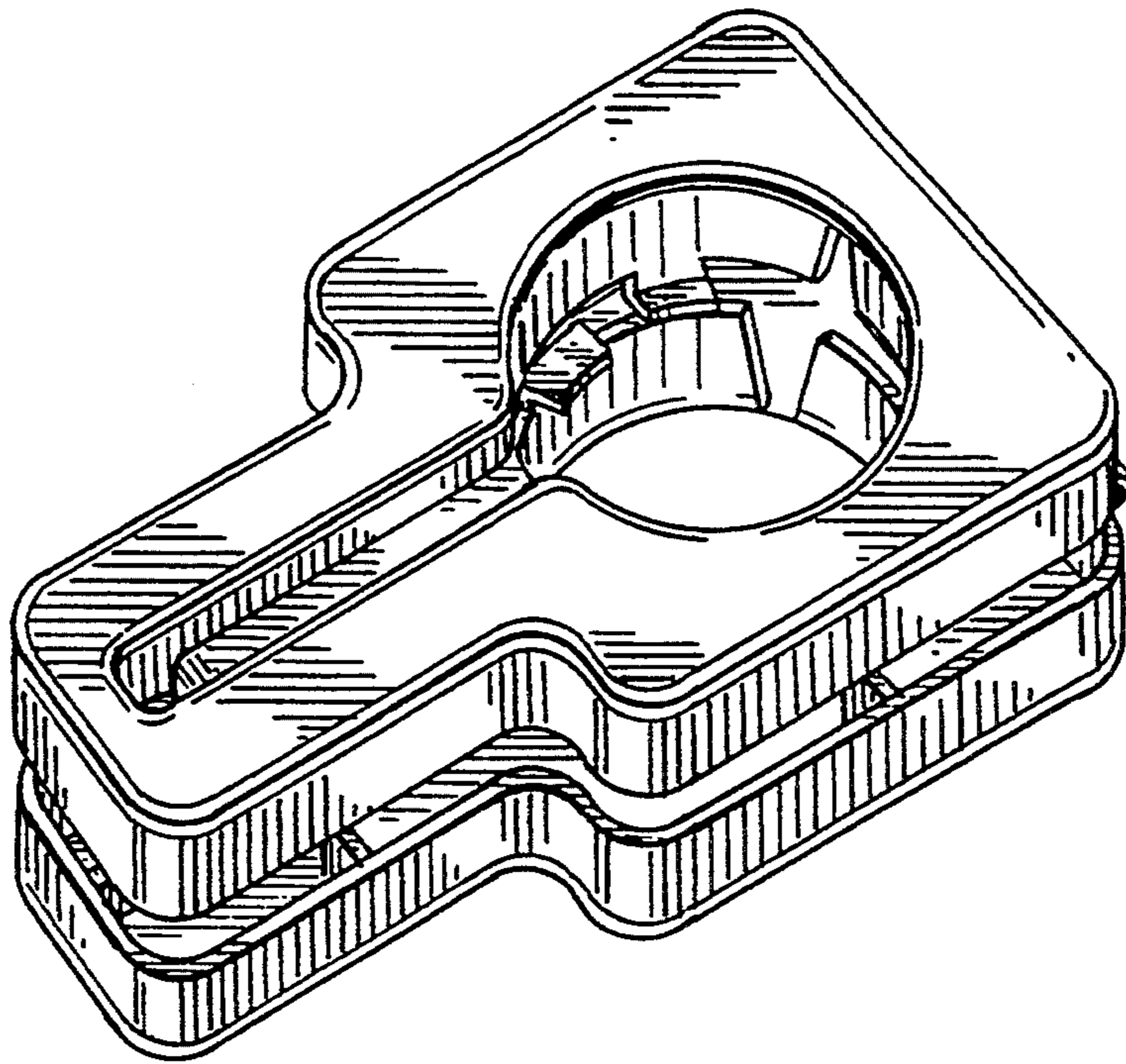
The ornamental design for a molding apparatus, as shown and described.

### DESCRIPTION

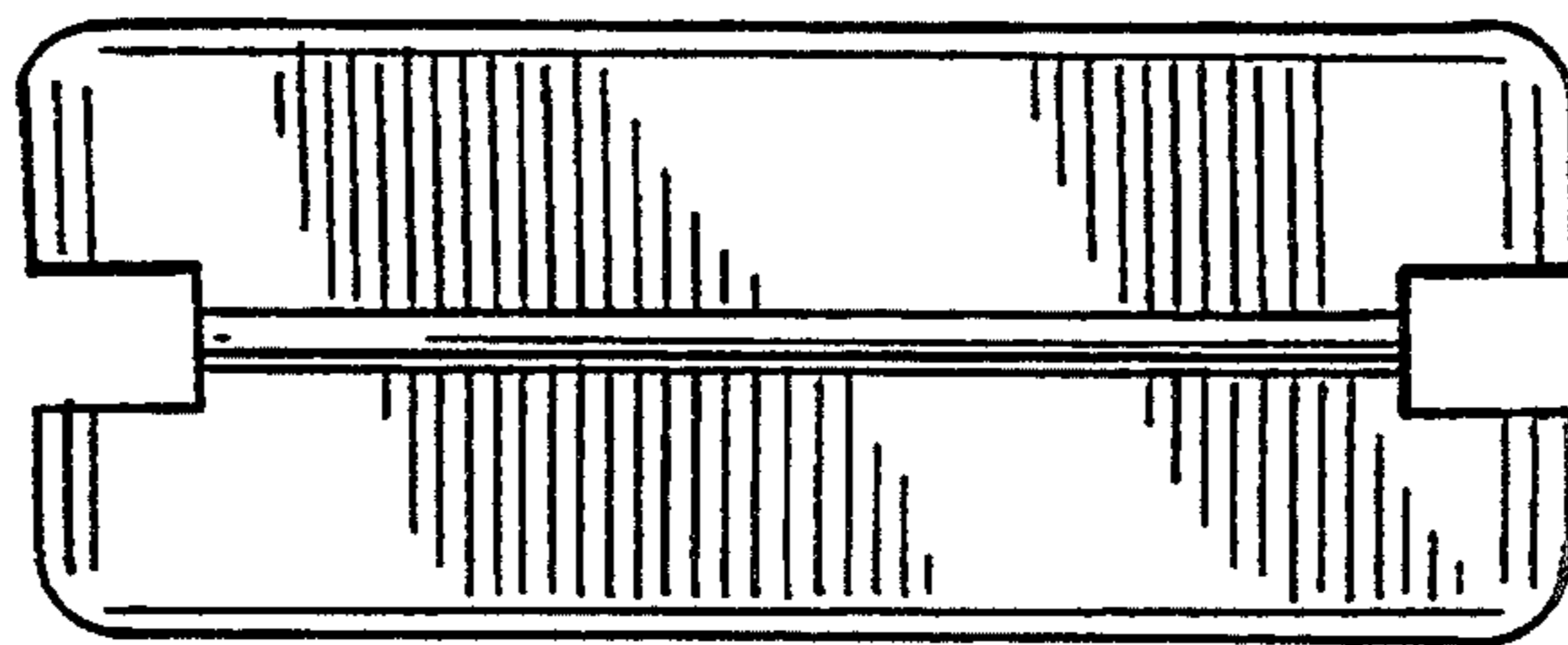
FIG. 1 is a right front perspective view of the molding apparatus in the closed position; FIG. 2 is a rear elevational view thereof; FIG. 3 is a front elevational view thereof; FIG. 4 is a top plan view thereof; FIG. 5 is a right side elevational view thereof; FIG. 6 is a bottom plan view thereof; FIG. 7 is a left side elevational view thereof; and, FIG. 8 is a right front perspective view of the molding apparatus in the open position showing the mold inserts in broken lines and in an exploded view. The broken lines showing the mold inserts are for illustrative purposes only and form no part of the claimed design.



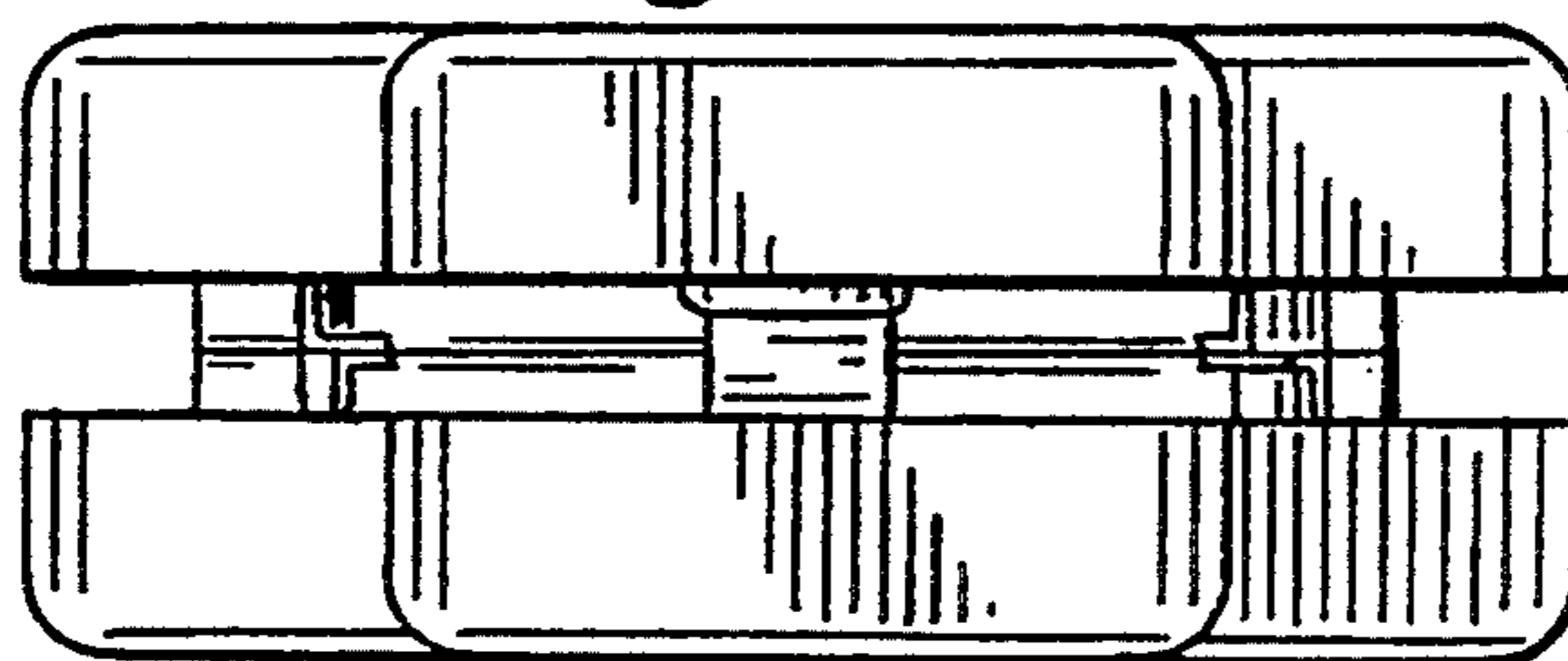
*Fig. 1*



*Fig. 2*

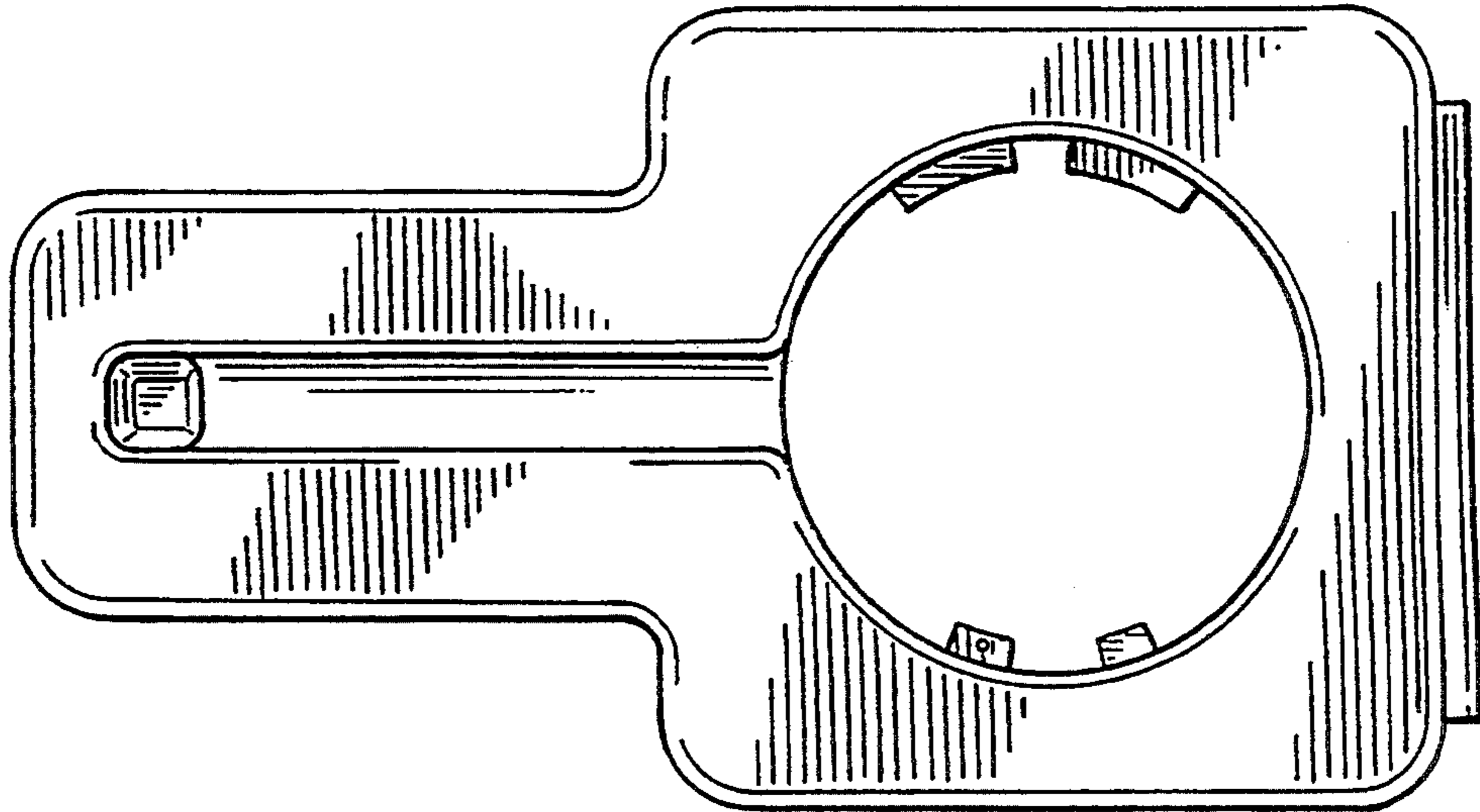


*Fig. 3*

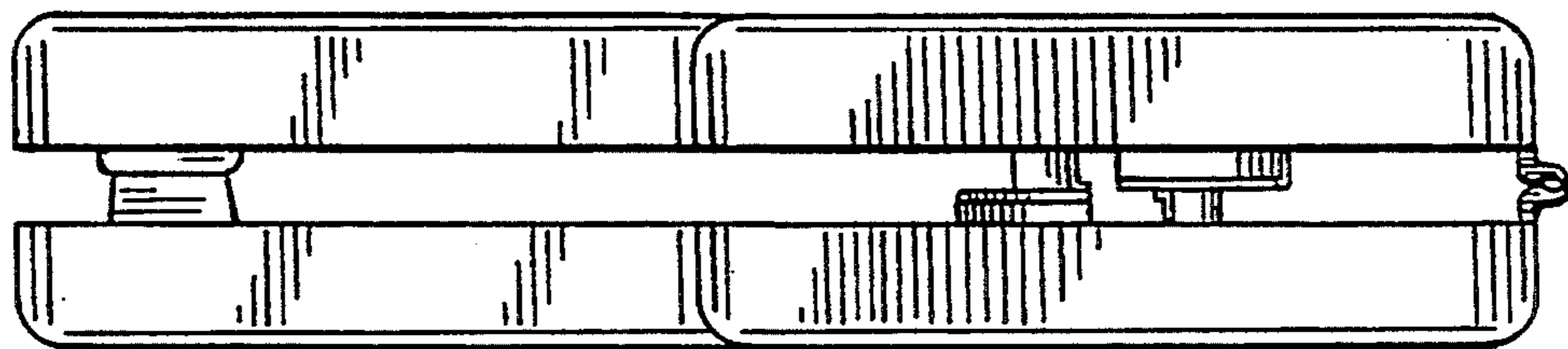




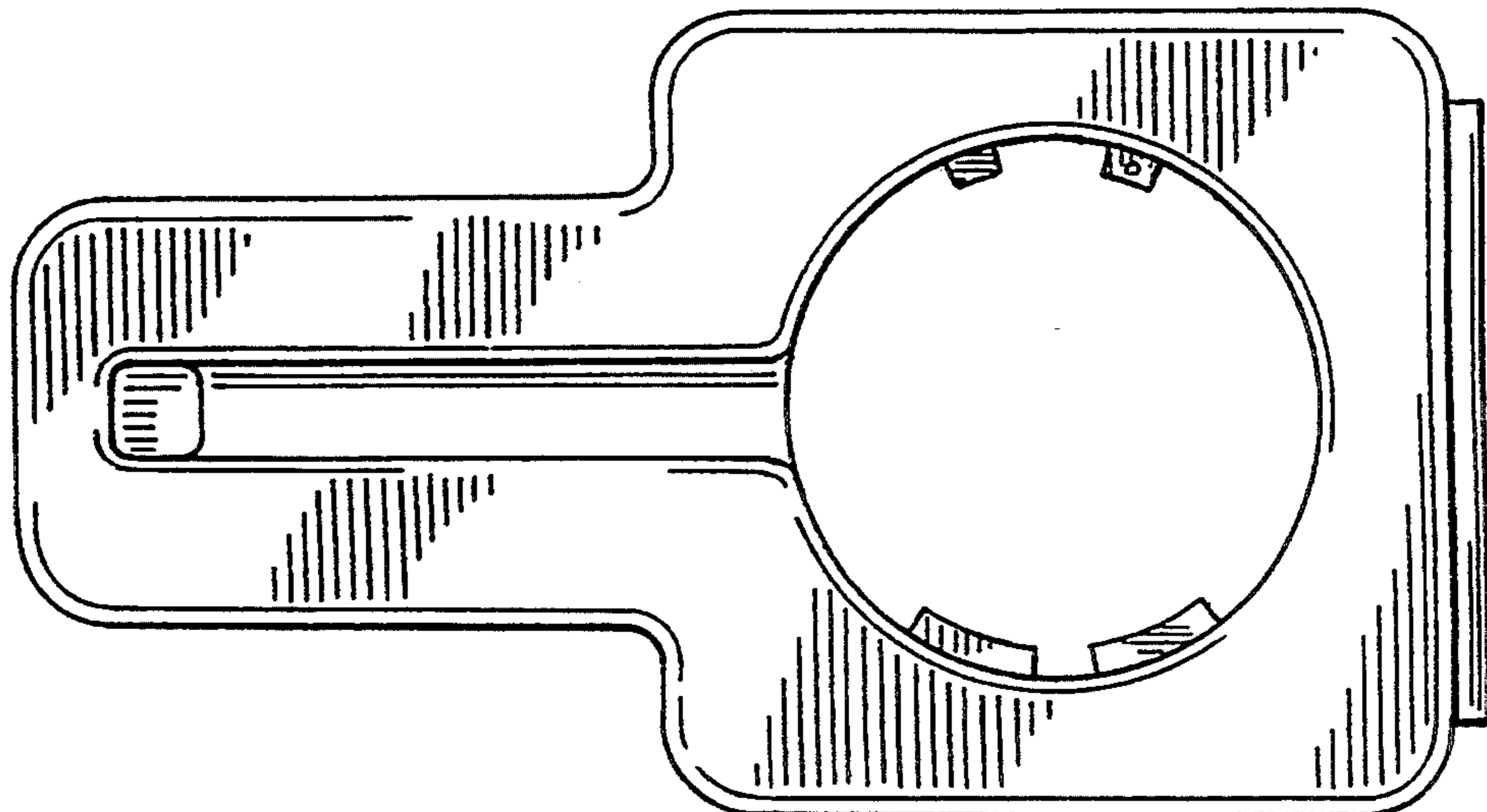
*Fig. 4*



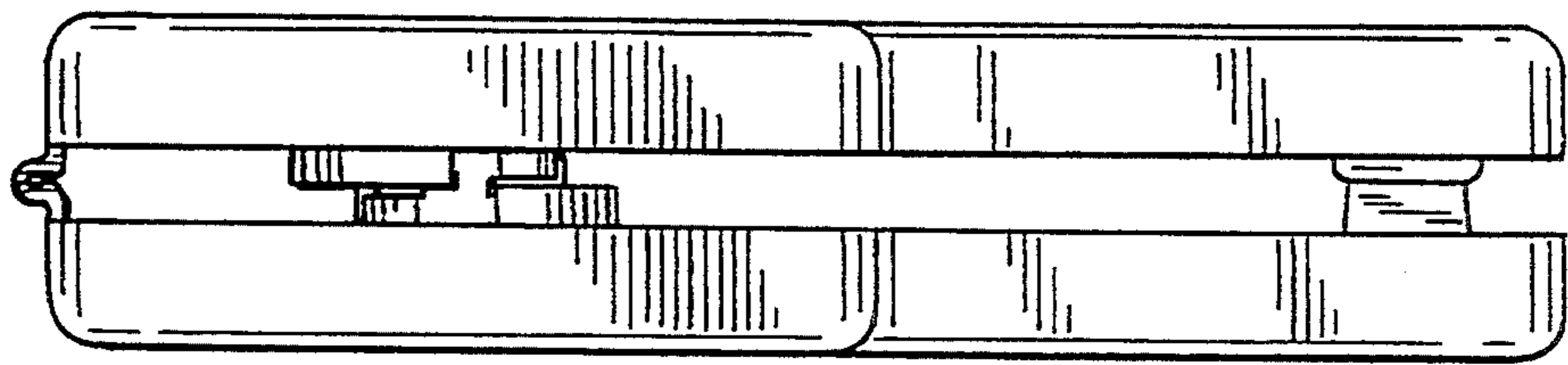
*Fig. 5*



*Fig. 6*



*Fig. 7*



*Fig. 8*

