



US00D358597S

# United States Patent [19]

[11] Patent Number: **Des. 358,597**

Tseng

[45] Date of Patent: **\*\* May 23, 1995**

## [54] OVERLOCK SEWING MACHINE

[76] Inventor: **Hsien-Chang Tseng**, No. 6, Lane 440, Hsien An Road, Chong Ruen Tsuen, Fen Yuan Hsiang, Changhua, Taiwan, Prov. of China

[\*\*] Term: **14 Years**

[21] Appl. No.: **8,987**

[22] Filed: **Jun. 1, 1993**

[52] U.S. Cl. .... **D15/69**

[58] Field of Search ..... **D15/66-78;**  
112/217.1-217.4, 258-262.1

### [56] References Cited

#### U.S. PATENT DOCUMENTS

D. 278,823	5/1985	Yoneda	.....	D15/69
D. 292,928	11/1987	Lo	.....	D15/69
D. 298,044	10/1988	Sekiguchi	.....	D15/69
D. 306,601	3/1990	Uchida	.....	D15/69
D. 307,023	4/1990	Eguchi	.....	D15/69
D. 321,694	11/1991	Uchida	.....	D15/69
D. 338,022	8/1993	Takada et al.	.....	D15/69
5,315,943	5/1994	Sonoda	.....	112/260

## OTHER PUBLICATIONS

Vogue Patterns, Sep.-Oct. 1984 p. 96 Bernette Overlocker.

Spiegel Catalog Jul. 1992 p. 449 Singer Overlock Machine.

*Primary Examiner*—Prabhakar G. Deshmukh

*Assistant Examiner*—Sandra Morris

*Attorney, Agent, or Firm*—Charles E. Baxley

## [57] CLAIM

The ornamental design for an overlock sewing machine, as shown and described.

## DESCRIPTION

FIG. 1 is a perspective view of an overlock sewing machine showing my new design;

FIG. 2 is a front elevational view thereof;

FIG. 3 is a rear elevational view thereof;

FIG. 4 is a top plan view thereof;

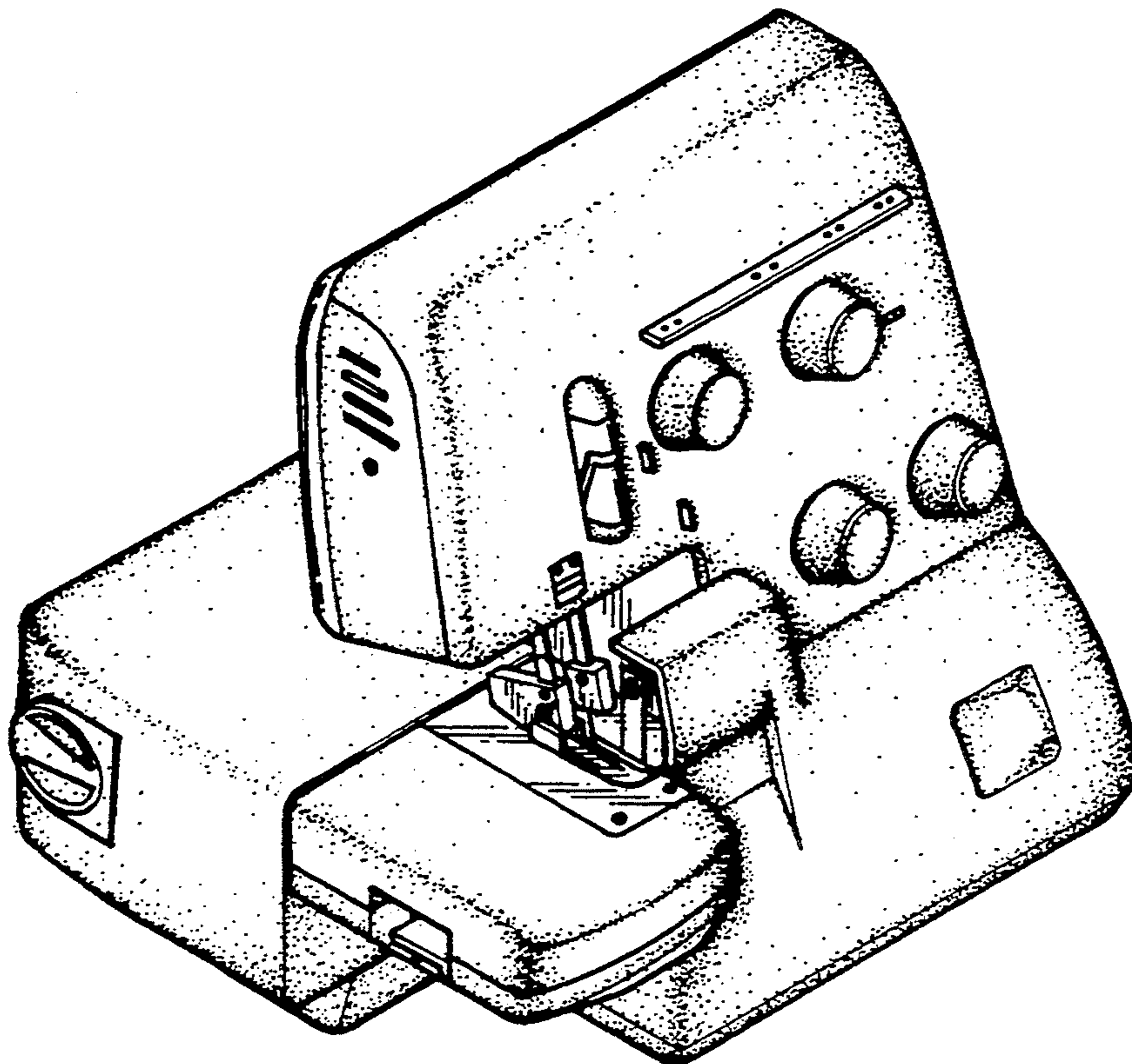
FIG. 5 is a bottom plan view thereof;

FIG. 6 is a left side elevational view thereof;

FIG. 7 is a right side elevational view thereof;

FIG. 8 is an enlarged partial perspective view for showing the parts around the needle; and,

FIG. 9 is an elevational isometric view of the overlock sewing machine, with parts deleted for clarity.



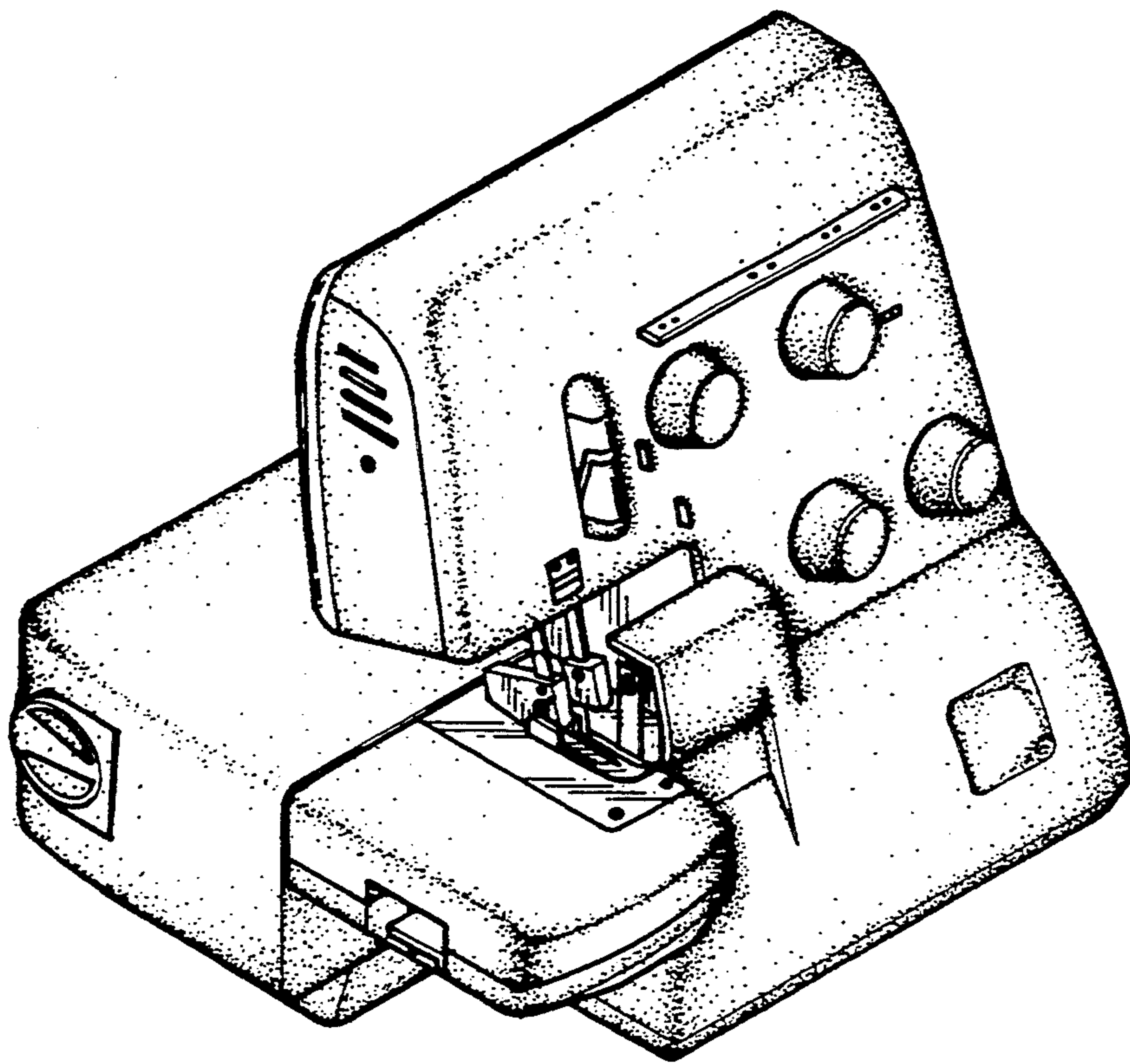


FIG. 1

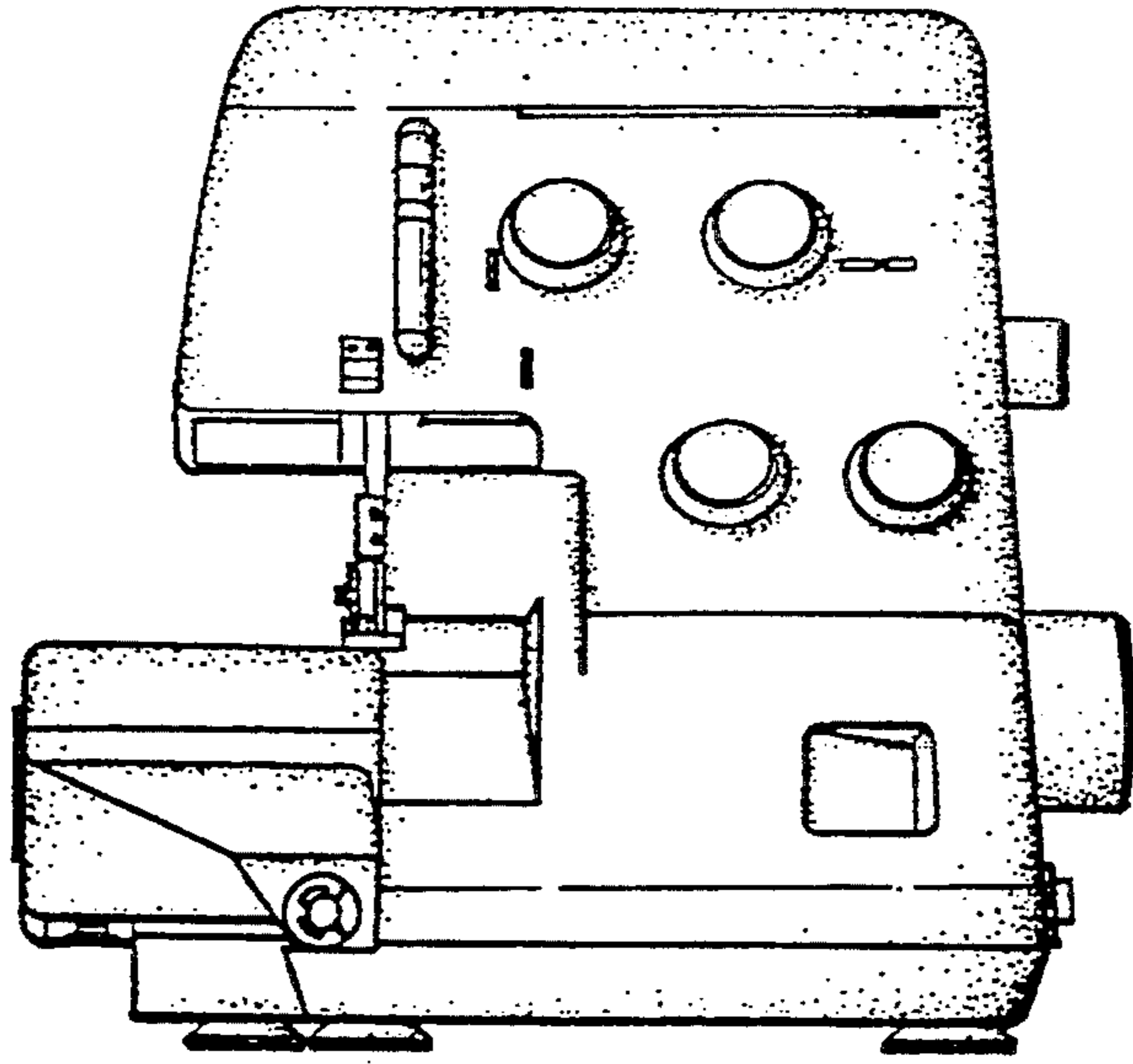


FIG. 2

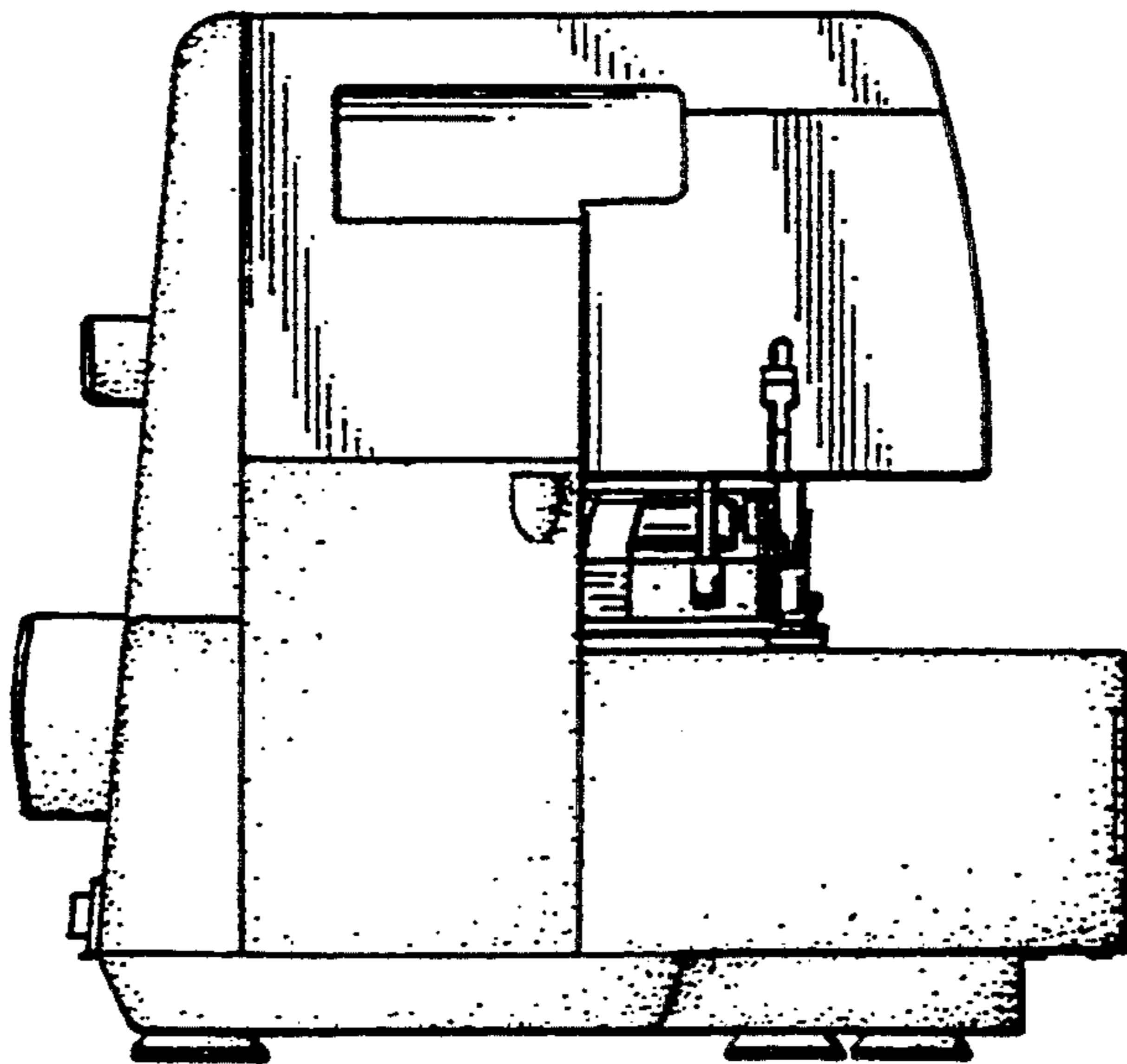


FIG. 3

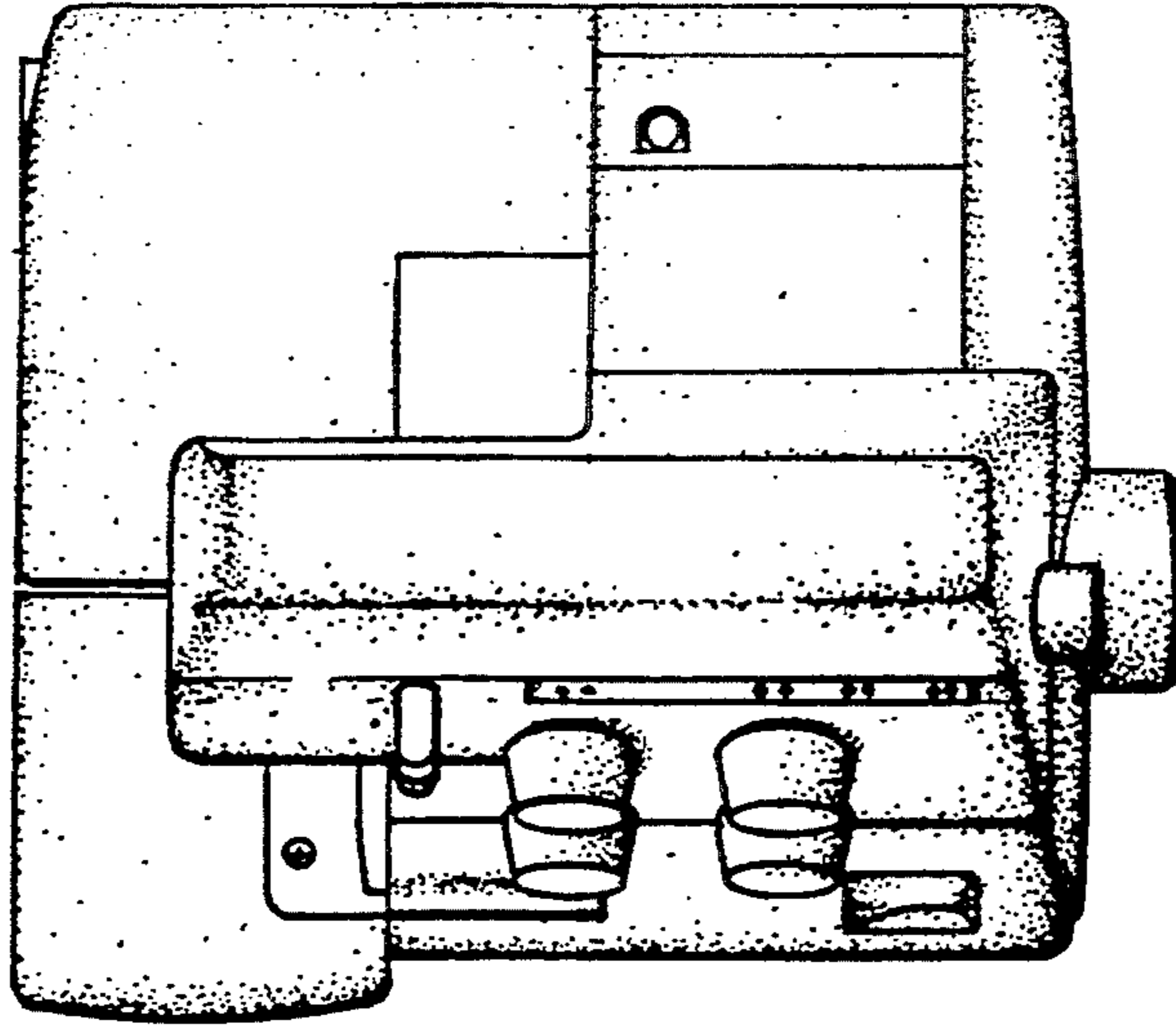


FIG. 4

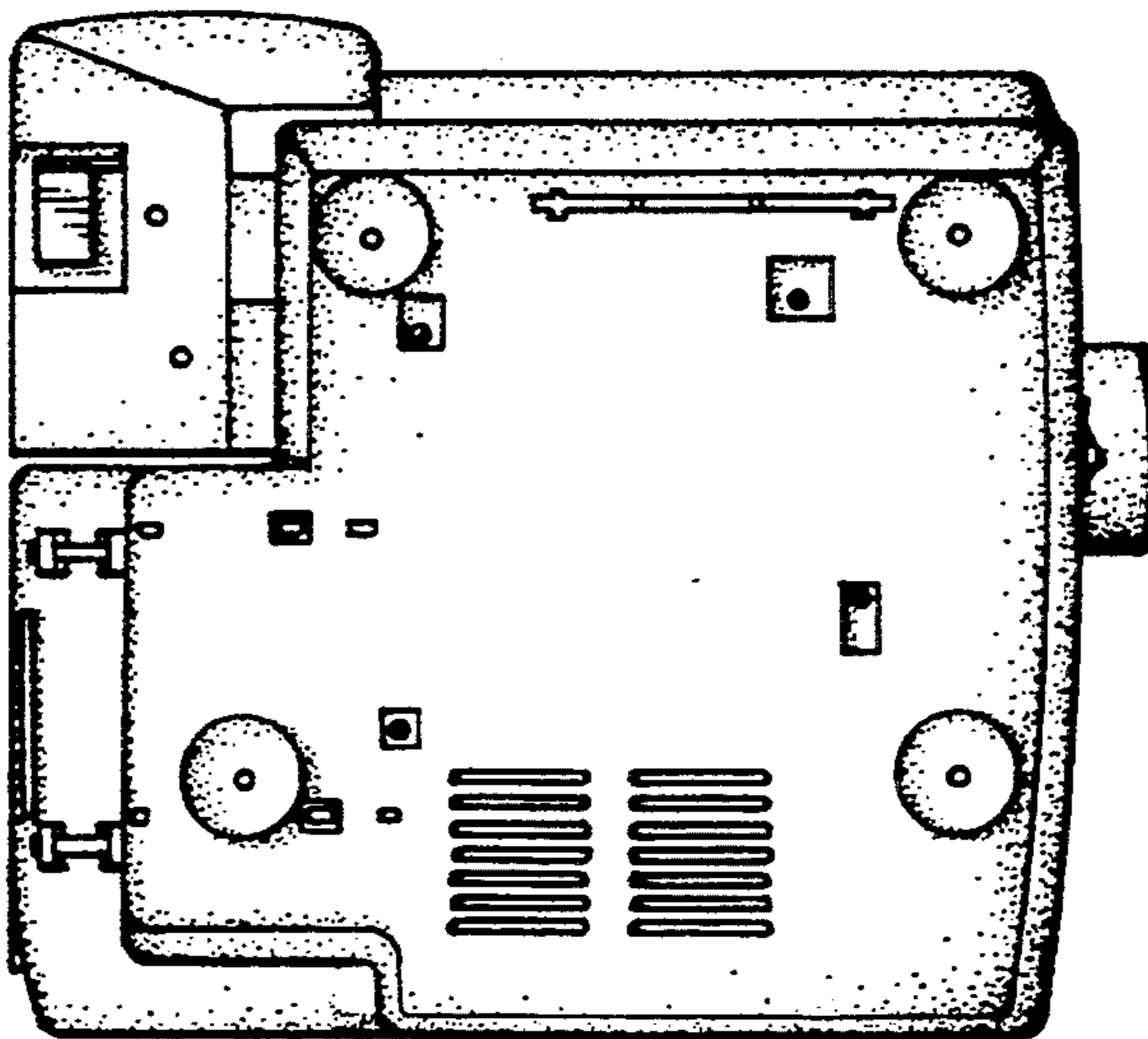


FIG. 5

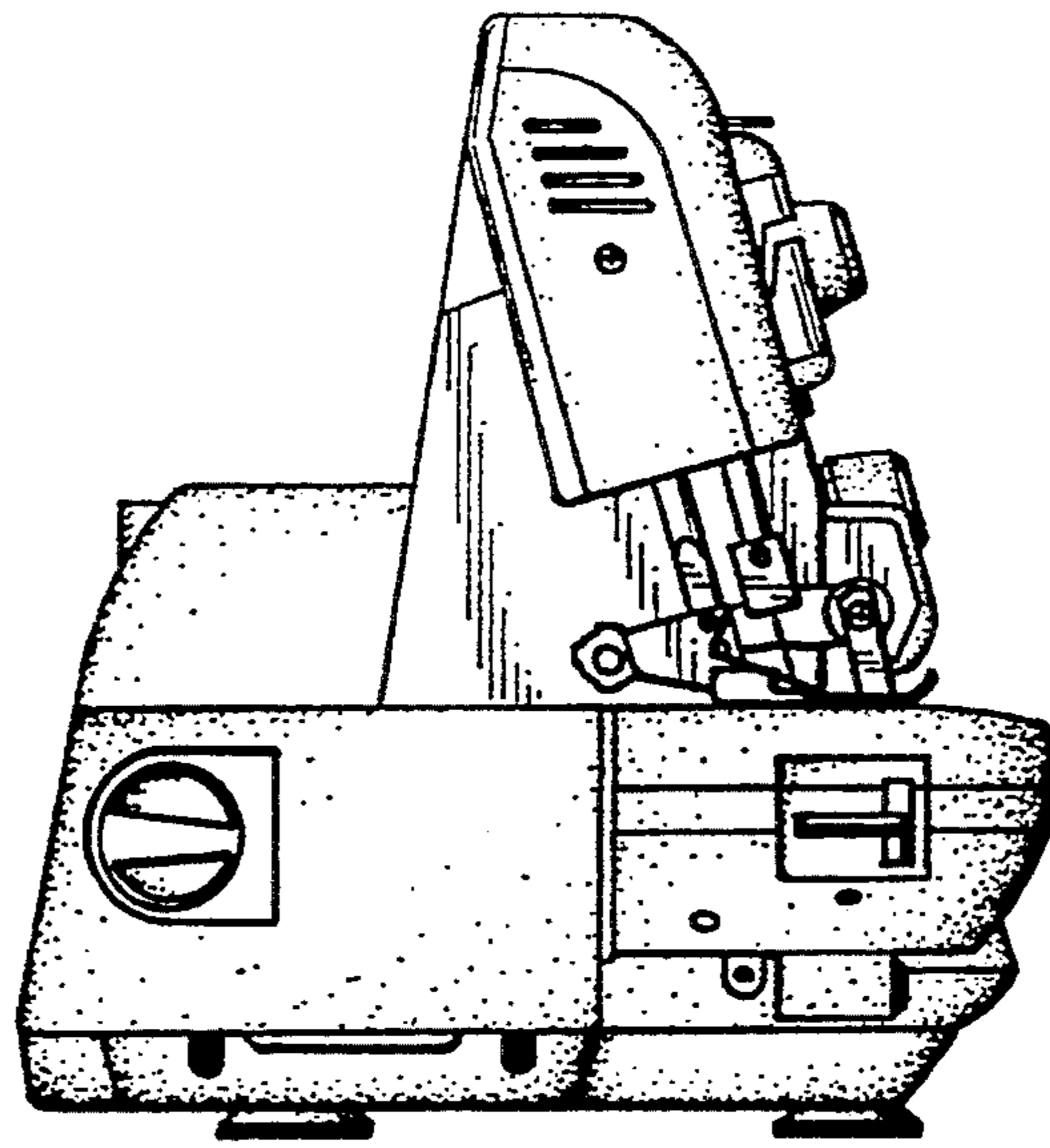


FIG. 6

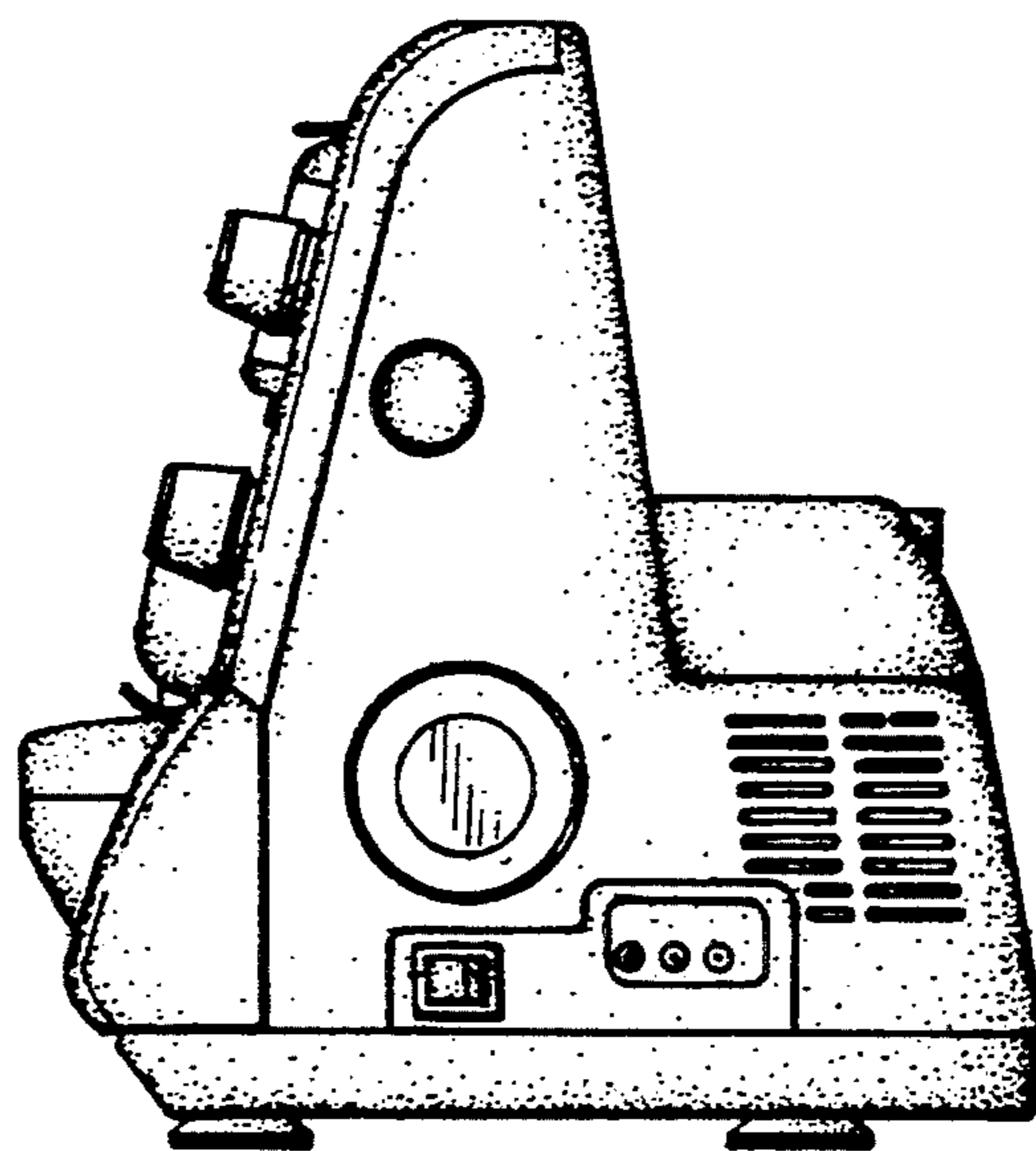


FIG. 7

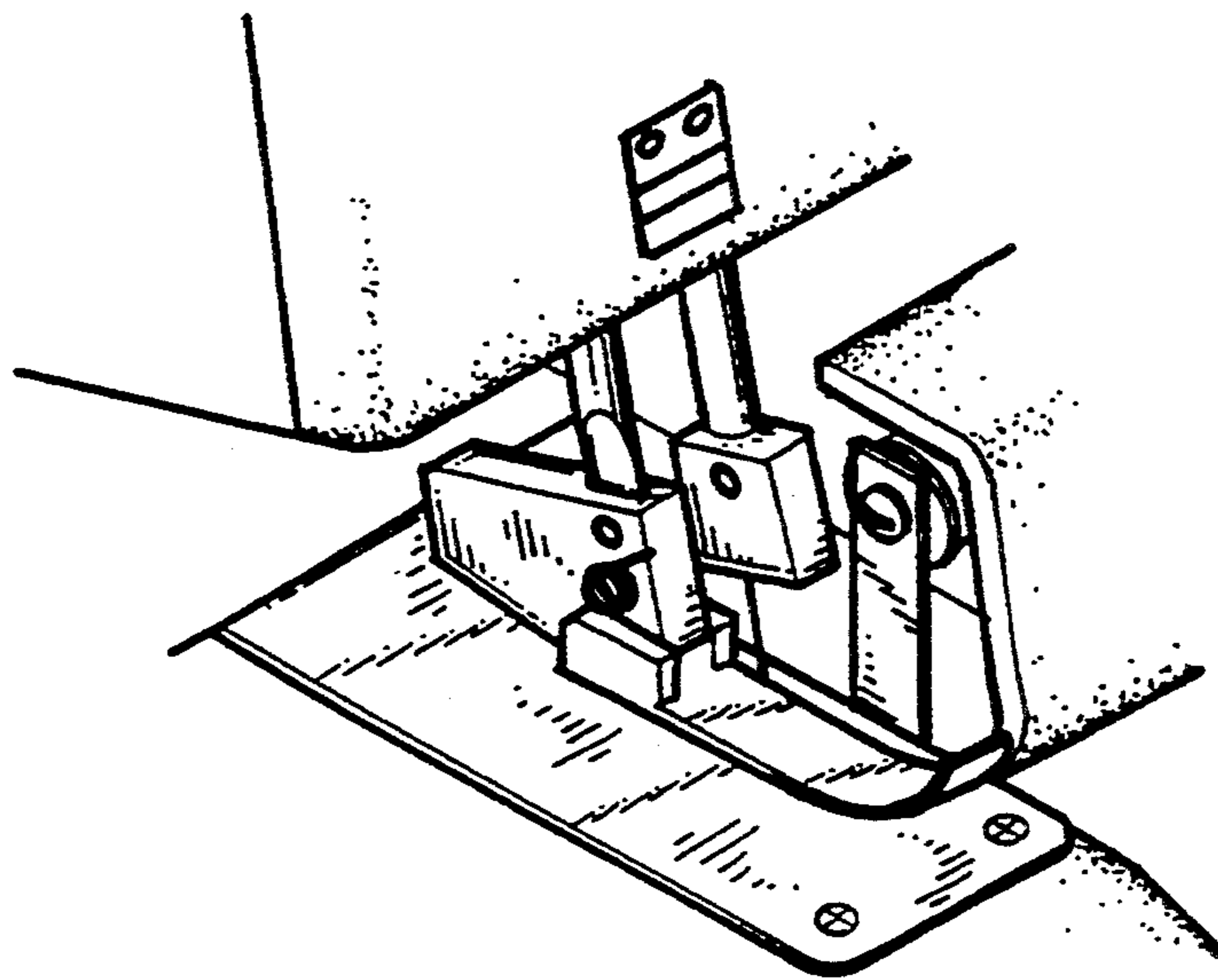


FIG. 8

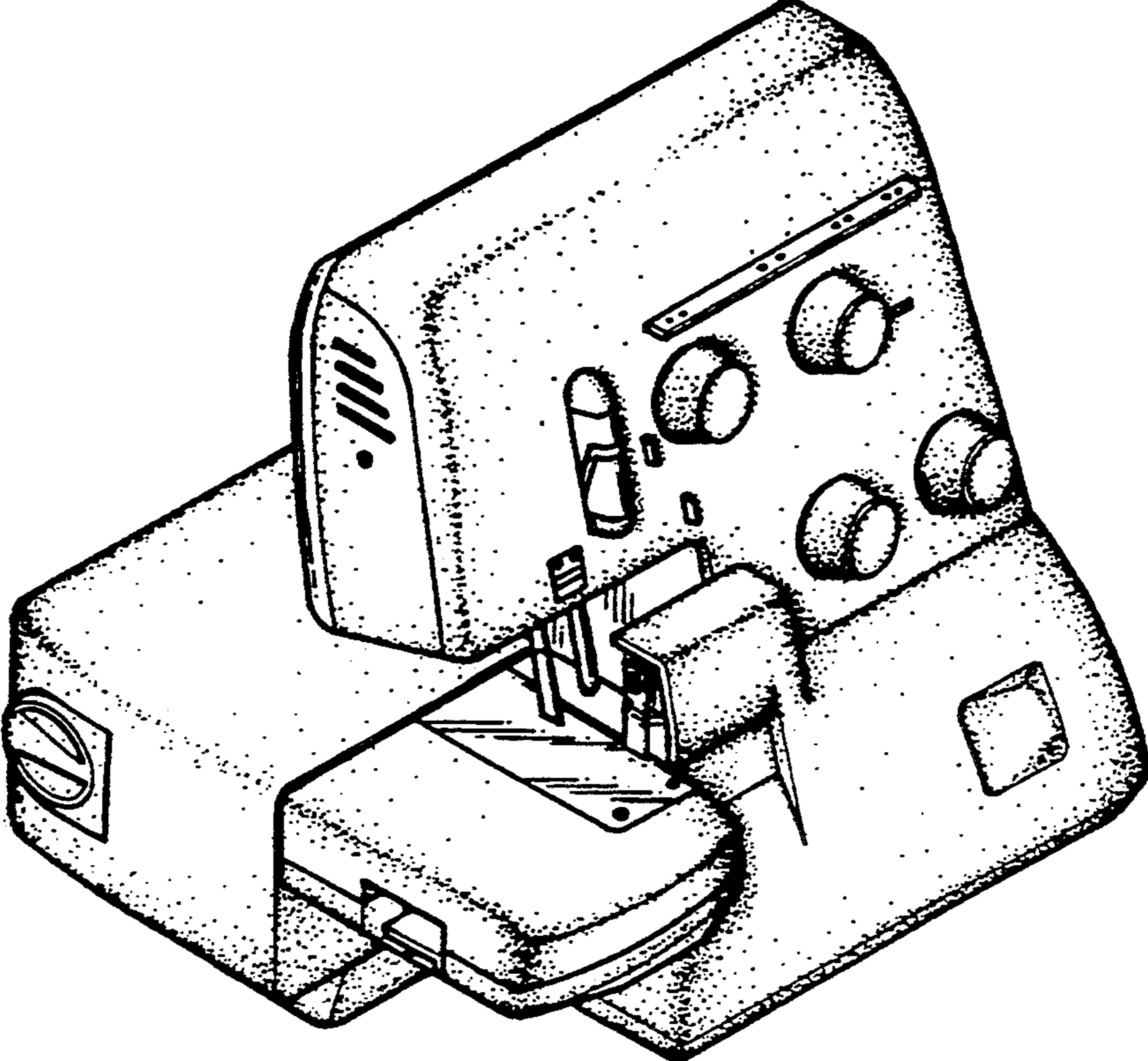


FIG. 9