



US00D358594S

# United States Patent [19] Clour

[11] Patent Number: **Des. 358,594**

[45] Date of Patent: **\*\* May 23, 1995**

[54] **HANDSET LIFT**

[76] Inventor: **Charles M. Clour**, 120 7th Ave. N.,  
Sauk Rapids, Minn. 56379

[\*\*] Term: **14 Years**

[21] Appl. No.: **914,613**

[22] Filed: **Jul. 17, 1992**

[52] U.S. Cl. .... **D14/253**

[58] Field of Search ..... **D14/114, 140, 240, 253,  
D14/251; 379/454, 455, 447, 449, 450**

[56] **References Cited**

### U.S. PATENT DOCUMENTS

D. 333,679	3/1933	Hoffman et al. ....	D14/114 X
2,552,590	5/1951	Ross .....	379/455
2,602,863	7/1952	Raymond et al. ....	379/455
2,621,262	12/1952	Hoagland .....	D14/253 X
2,657,278	10/1953	LeNoir .....	D14/253 X
2,845,496	7/1959	Limata .....	379/455

2,997,544	8/1961	Ando .....	379/449
3,662,109	5/1972	Beathan .....	379/446 X
4,308,432	12/1981	Chesler et al. ....	D14/253 X
4,383,140	5/1983	Goodman .....	379/446

*Primary Examiner*—Alan P. Douglas  
*Assistant Examiner*—Jeffrey Asch  
*Attorney, Agent, or Firm*—Hugh D. Jaeger

### [57] CLAIM

The ornamental design for a handset lift, as shown.

### DESCRIPTION

FIG. 1 illustrates a front view of a handset lift showing my new design;

FIG. 2 illustrates a left side view thereof;

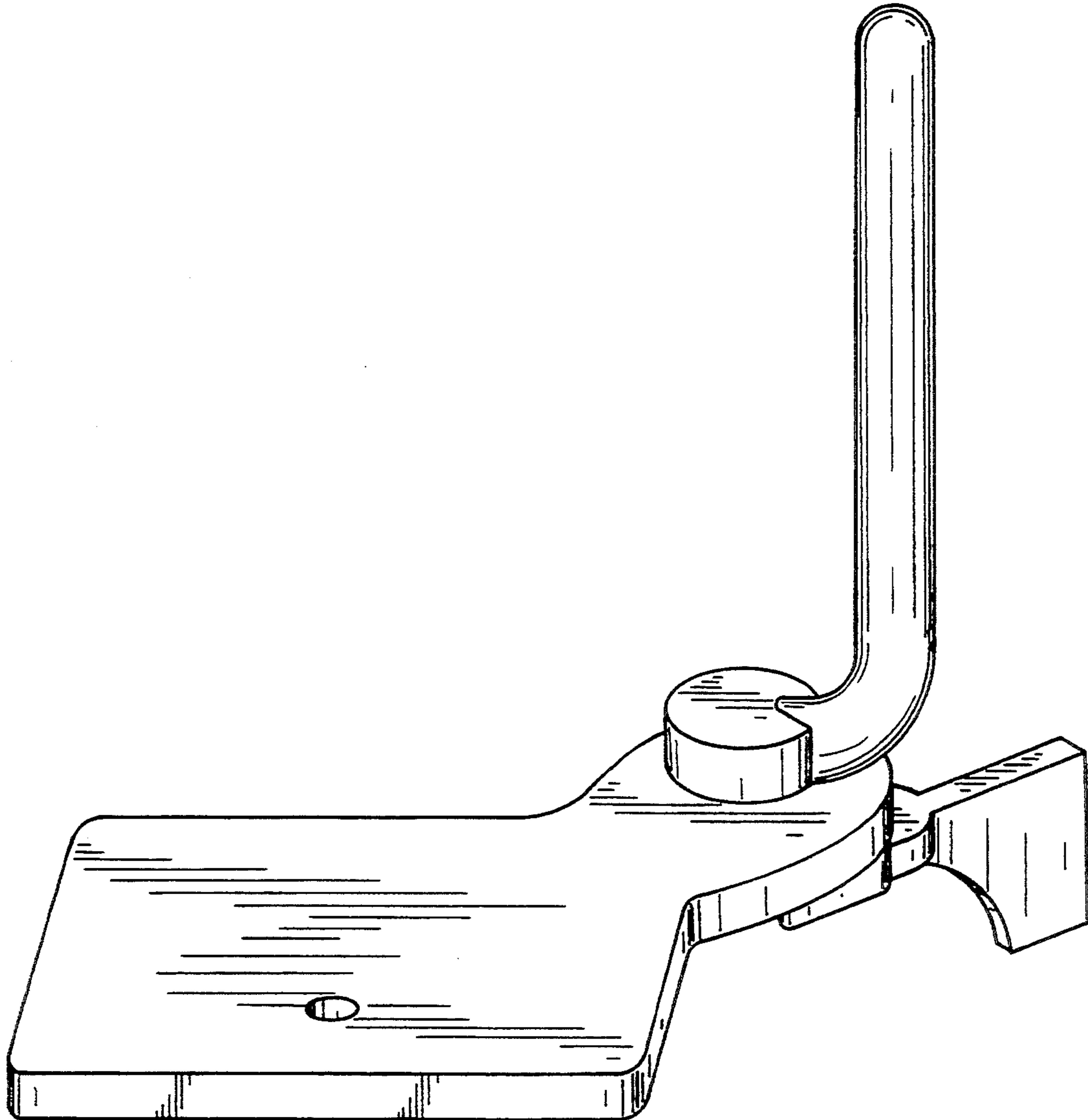
FIG. 3 illustrates a right side view thereof;

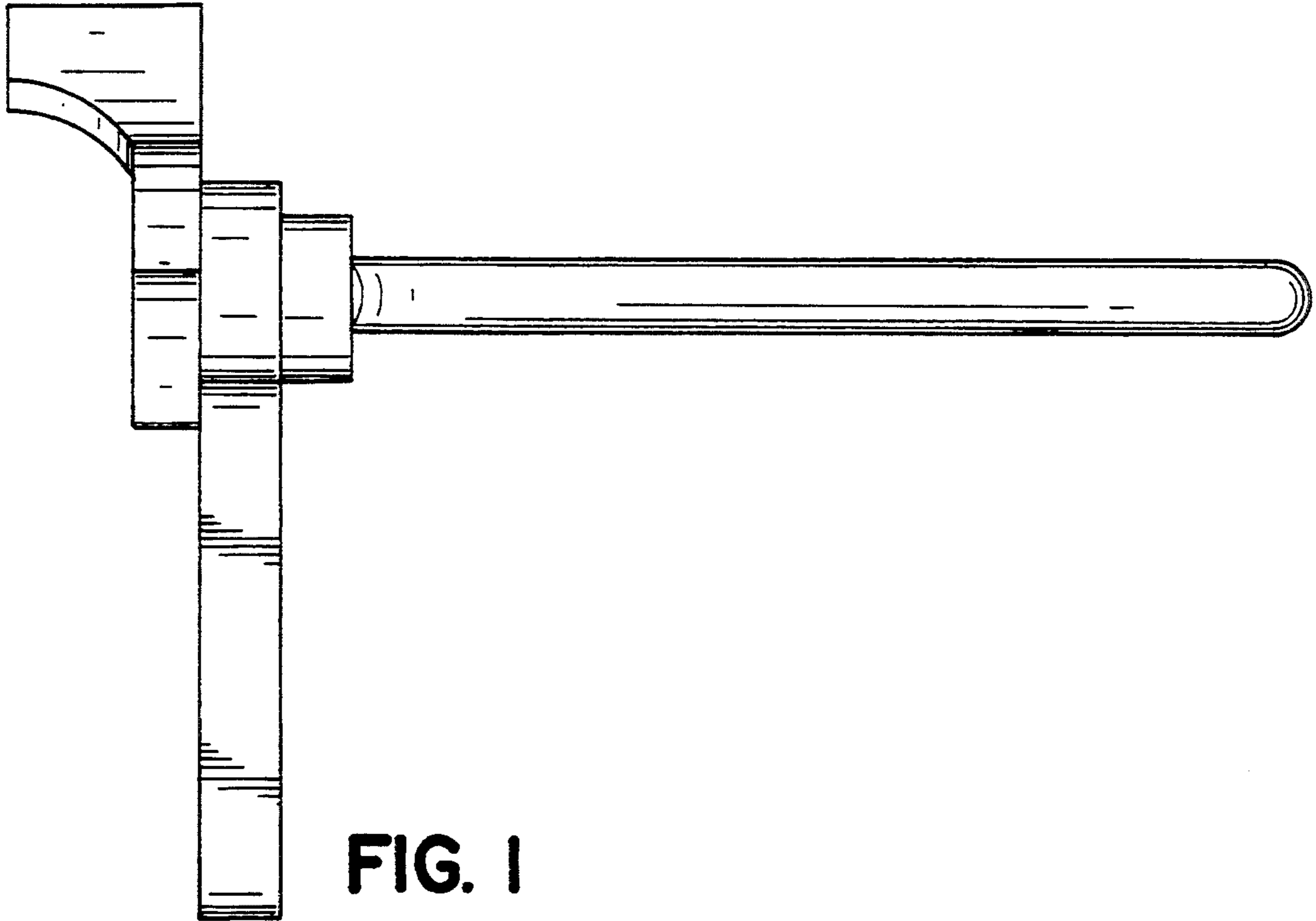
FIG. 4 illustrates a top side view thereof;

FIG. 5 illustrates a back view thereof;

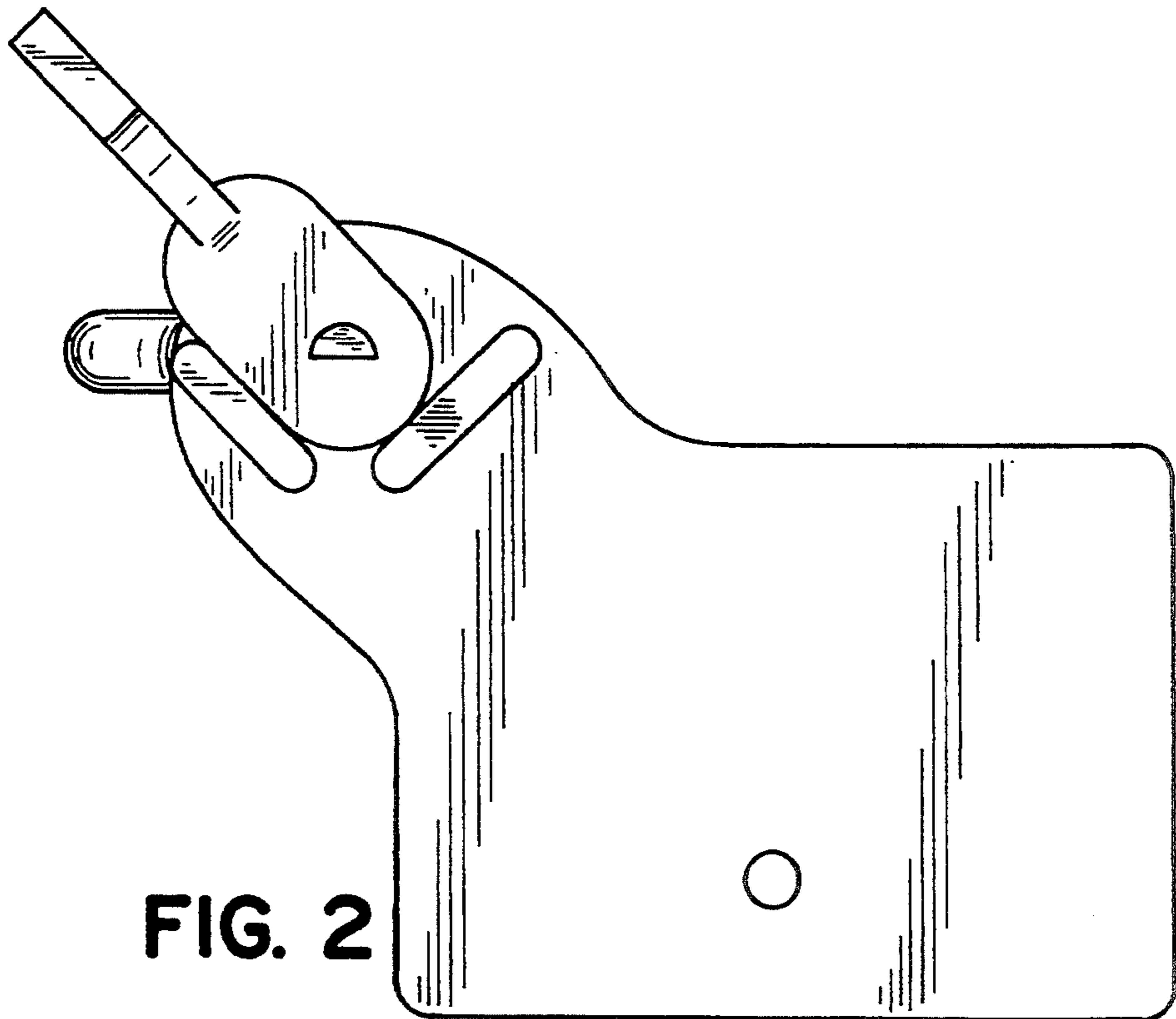
FIG. 6 illustrates a bottom view thereof; and,

FIG. 7 illustrates a perspective view thereof.

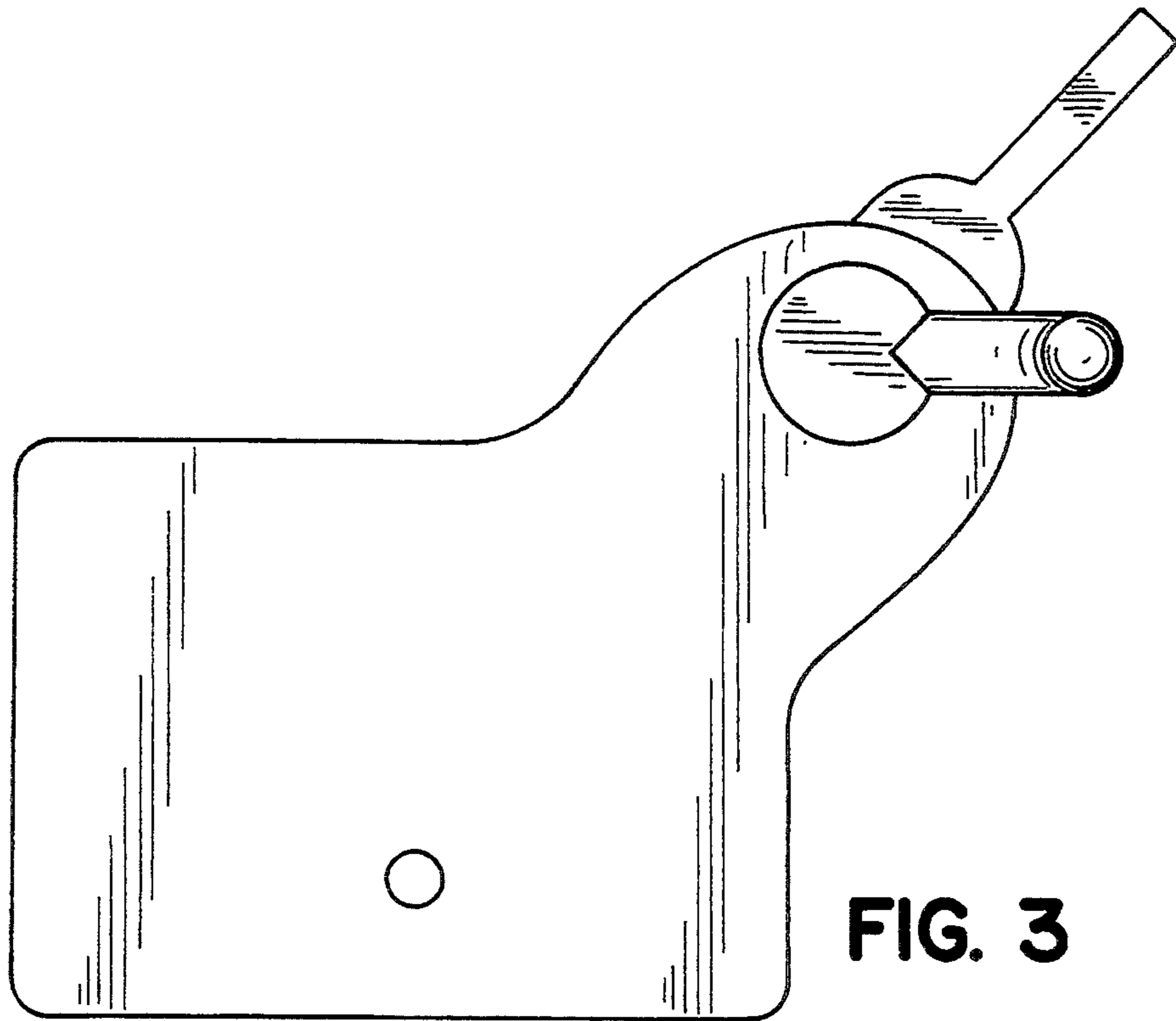




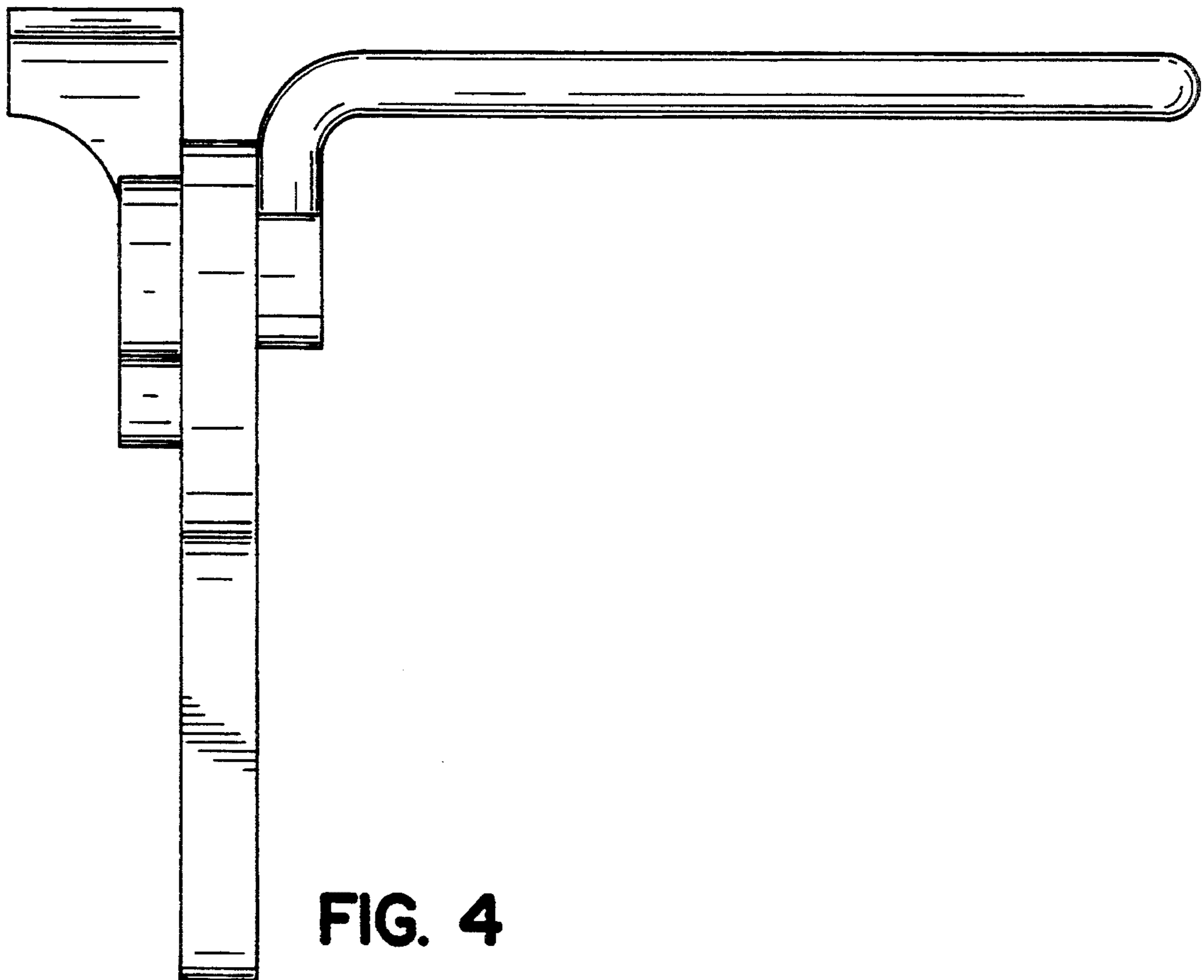
**FIG. 1**



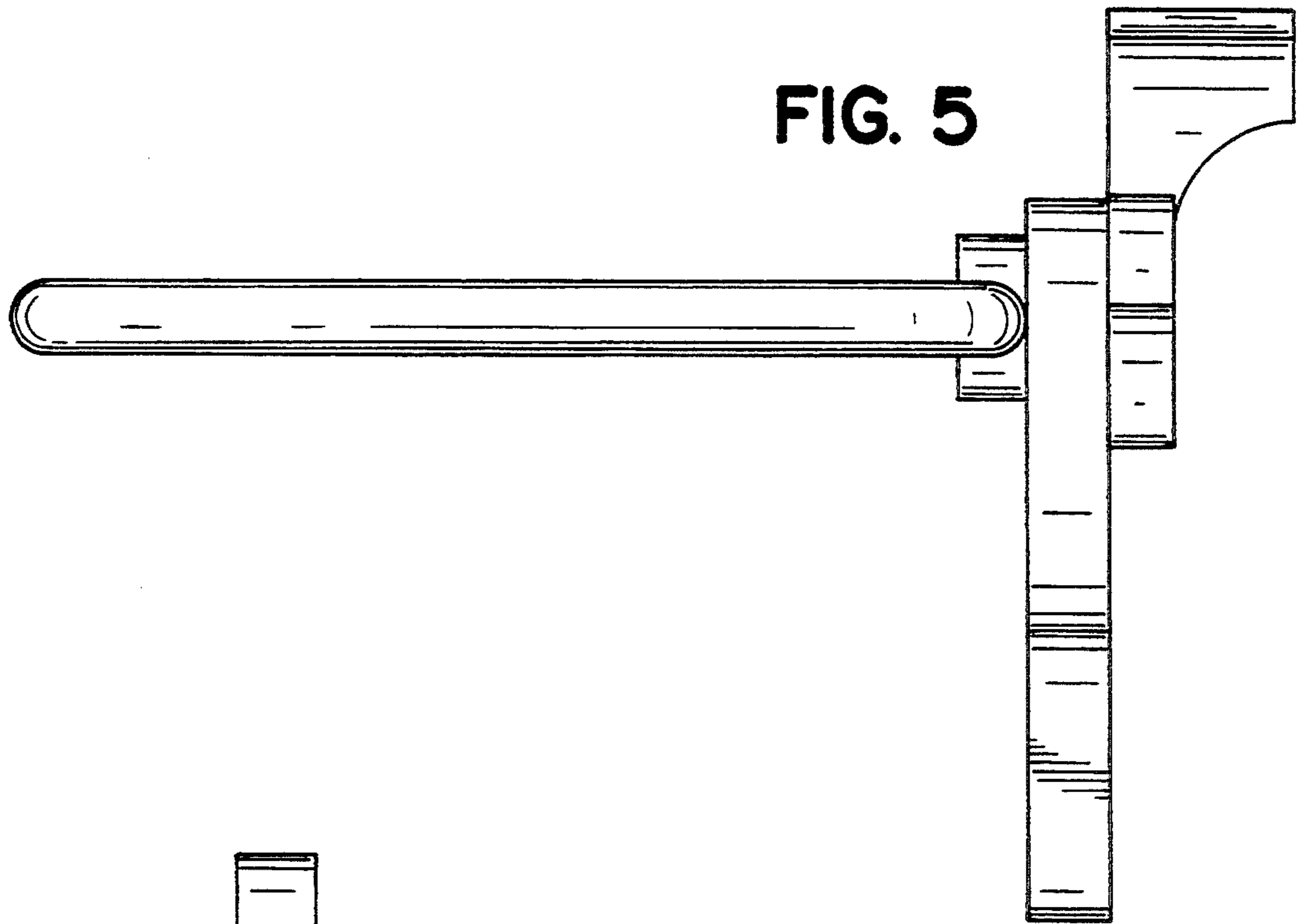
**FIG. 2**



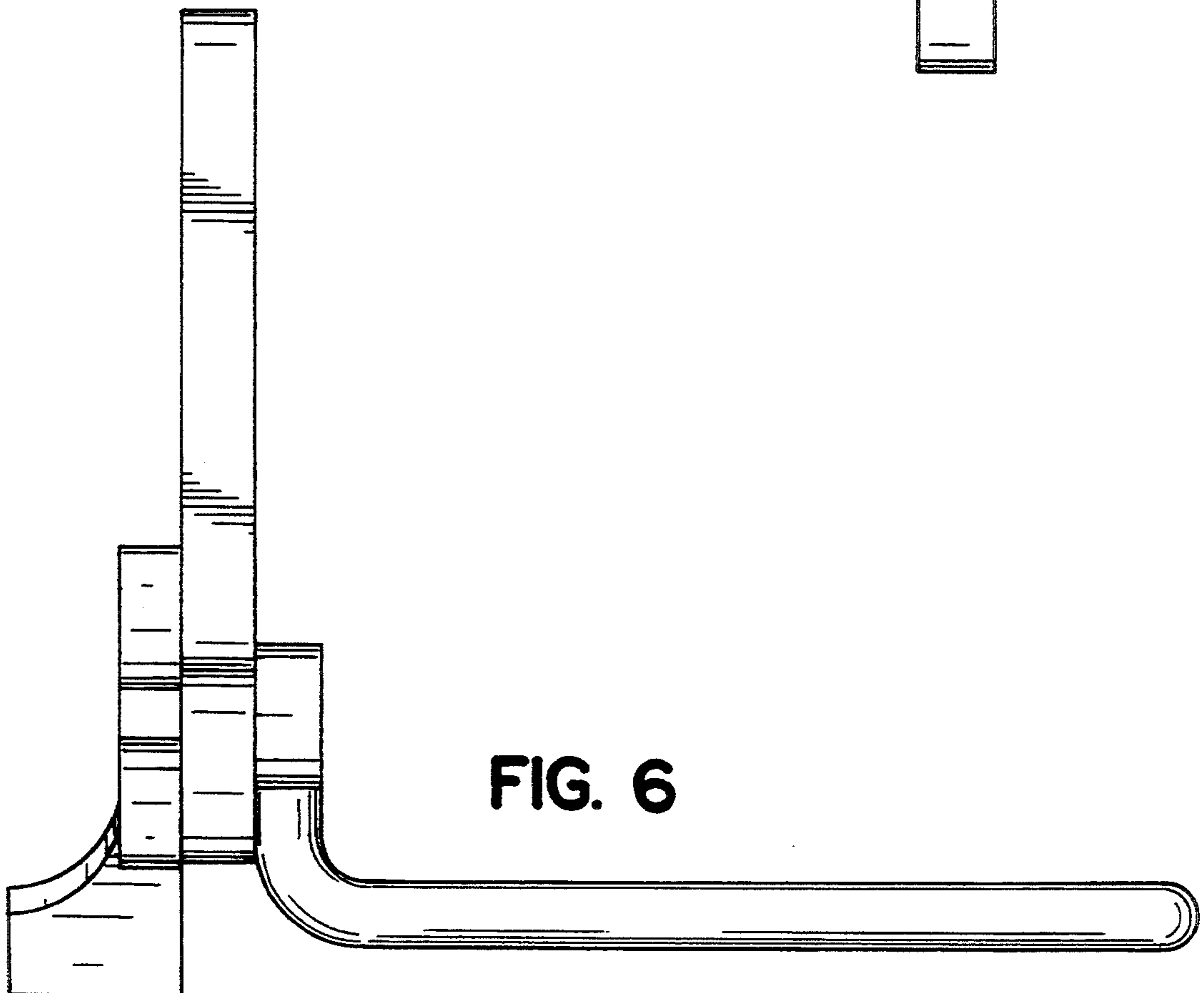
**FIG. 3**



**FIG. 4**



**FIG. 5**



**FIG. 6**

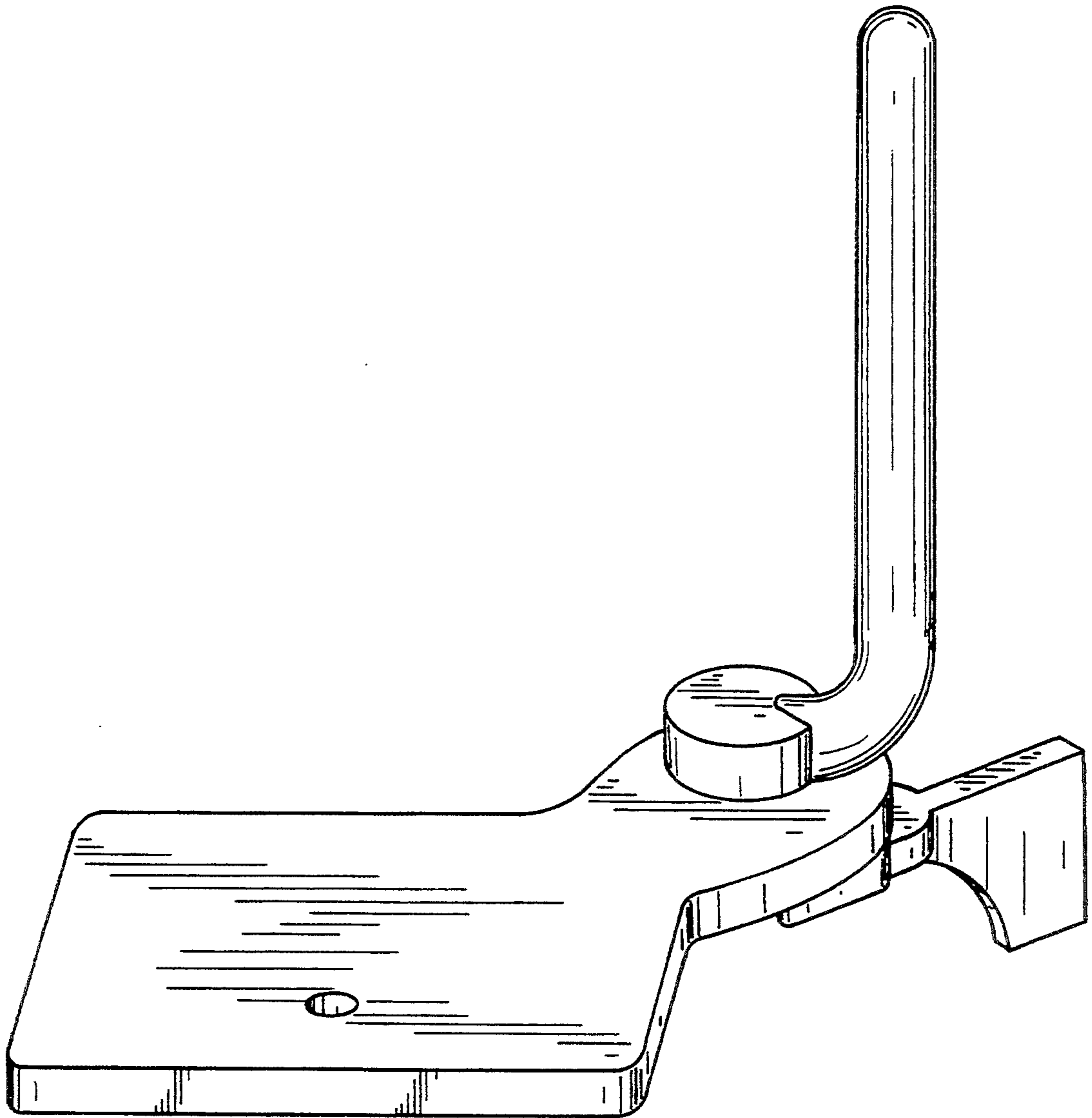


FIG. 7