



US00D358591S

# United States Patent [19]

[11] Patent Number: **Des. 358,591**

**Radel**

[45] Date of Patent: **\*\* May 23, 1995**

[54] **MOUNT FOR OVERHEAD TRANSPARENCY**

[75] Inventor: **Robert J. Radel**, Florence, Ala.

[73] Assignee: **Tennessee Valley Authority**, Muscle Shoals, Ala.

[\*\*] Term: **14 Years**

[21] Appl. No.: **9,463**

[22] Filed: **Jun. 14, 1993**

[52] U.S. Cl. .... **D14/123**

[58] Field of Search ..... **D14/123; 40/152, 158.1, 40/159.2**

D. 267,181 12/1982 Jost ..... D14/123  
D. 287,858 1/1987 Gautestad ..... D14/123  
3,242,605 3/1966 Kleinschmidt ..... D14/123 X

*Primary Examiner*—Prabhakar G. Deshmukh

*Assistant Examiner*—Dominic Simone

*Attorney, Agent, or Firm*—Robert A. Petrussek

### [57] CLAIM

The ornamental design for a mount for overhead transparency, as shown and described.

### DESCRIPTION

FIG. 1 is a front elevational view of a mount for overhead transparency showing my new design, the rear being a mirror image thereof;

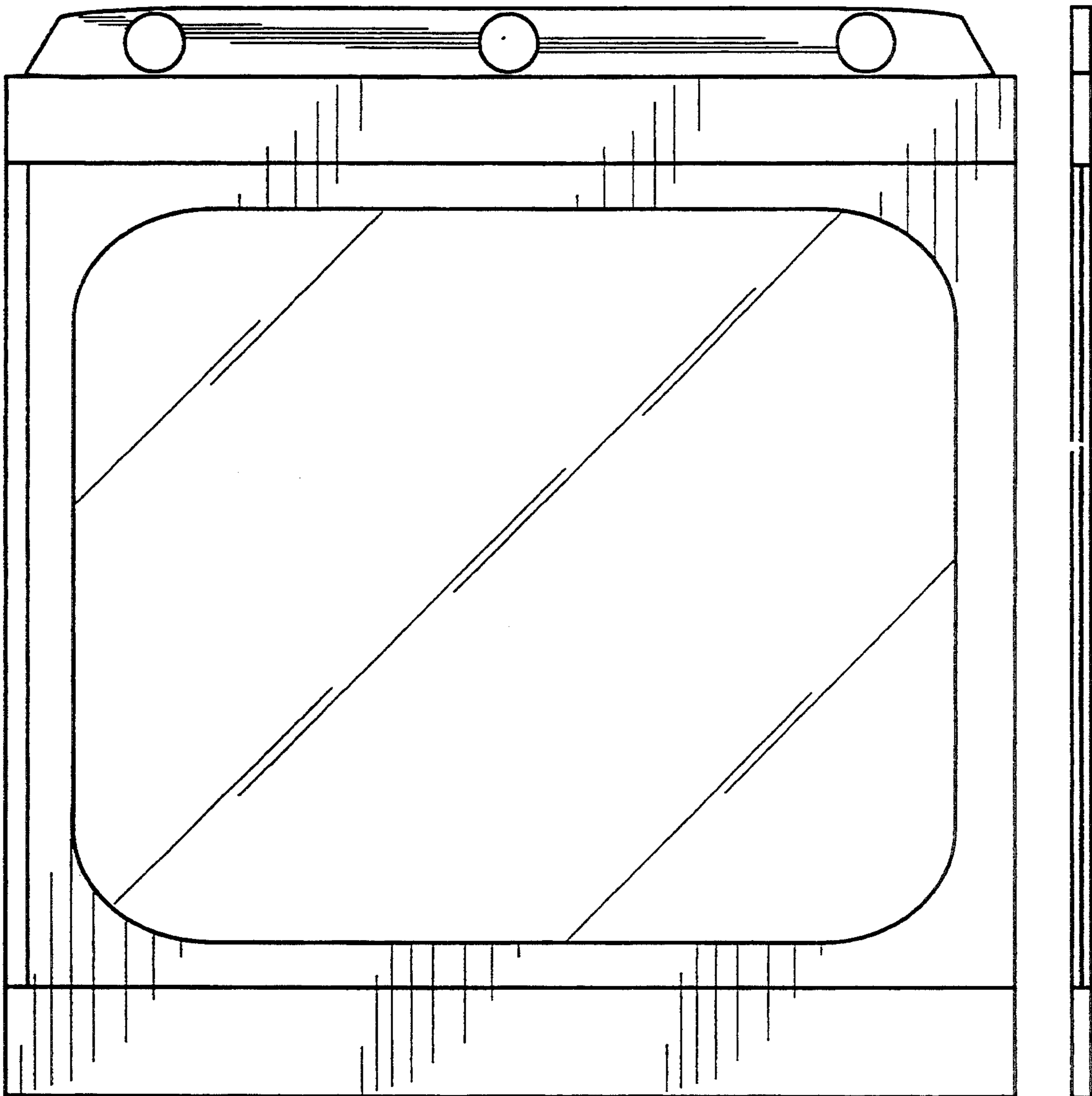
FIG. 2 is a right side elevational view thereof; and,

FIG. 3 is a left side elevational view thereof.

### [56] References Cited

#### U.S. PATENT DOCUMENTS

D. 163,965 7/1951 Reddig et al. .... D14/123



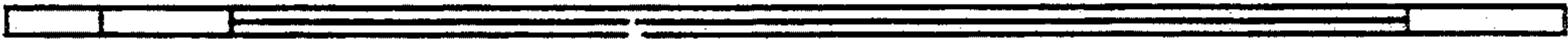


FIG. 2

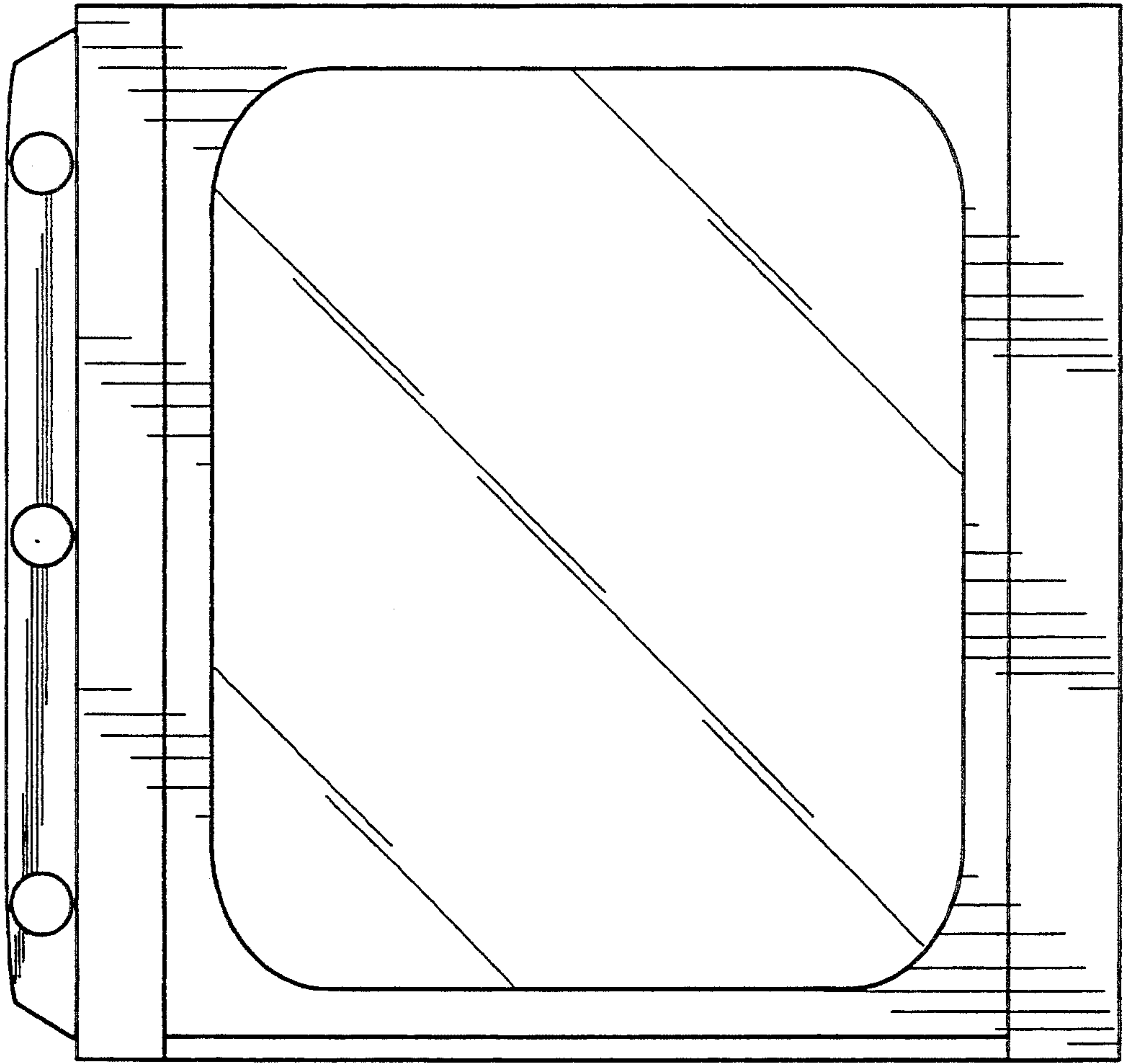


FIG. 1

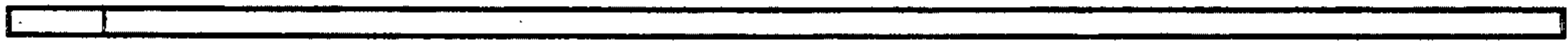


FIG. 3