



US00D358584S

United States Patent [19]

Kawazoe et al.

[11] Patent Number: Des. 358,584

[45] Date of Patent: ** May 23, 1995

[54] PORTABLE LAPTOP COMPUTER

[75] Inventors: **Kyosuke Kawazoe; Masahiko Moriwaki; Shinichi Sugihara**, all of Osaka, Japan

[73] Assignee: **Matsushita Electric Industrial Co., Ltd.**, Osaka, Japan

[**] Term: **14 Years**

[21] Appl. No.: **18,997**

[22] Filed: **Dec. 9, 1993**

[30] Foreign Application Priority Data

Jul. 23, 1993 [JP] Japan 5-22534

[52] U.S. Cl. **D14/106**

[58] Field of Search D14/100, 101, 106, 113, D14/115, 124-127; D18/1, 2, 7, 11, 12; 235/145 A, 145 R; 341/22, 23; 345/104, 156, 168, 173, 87, 167, 901-905; 361/679-686; 364/708.1, 709.04, 709.12; 400/486, 489

[56] References Cited

U.S. PATENT DOCUMENTS

D. 345,149 3/1994 Toedter et al. D14/106
D. 347,627 6/1994 Gotoh D14/106

D. 348,442 7/1994 Yoon D14/106
D. 349,278 8/1994 Wetrin D14/106
5,287,246 2/1994 Sen D14/106 X

Primary Examiner—Freda S. Nunn
Attorney, Agent, or Firm—Sughrue, Mion, Zinn, Macpeak & Seas

[57] CLAIM

The ornamental design for a portable laptop computer, as shown and described.

DESCRIPTION

FIG. 1 is a front, top and right side perspective view of a portable laptop computer showing our new design; FIG. 2 is a rear, bottom and left side perspective view thereof; FIG. 3 is a front elevational view thereof; FIG. 4 is a rear elevational view thereof; FIG. 5 is a left side elevational view thereof; FIG. 6 is a right side elevational view thereof; FIG. 7 is a top plan view thereof; FIG. 8 is a bottom plan view thereof; and, FIG. 9 is a front, top and right side perspective view thereof with a pivotable combined cover and display pivoted into closed, keyboard overlying position. FIGS. 3-9 are drawn on an enlarged scale.

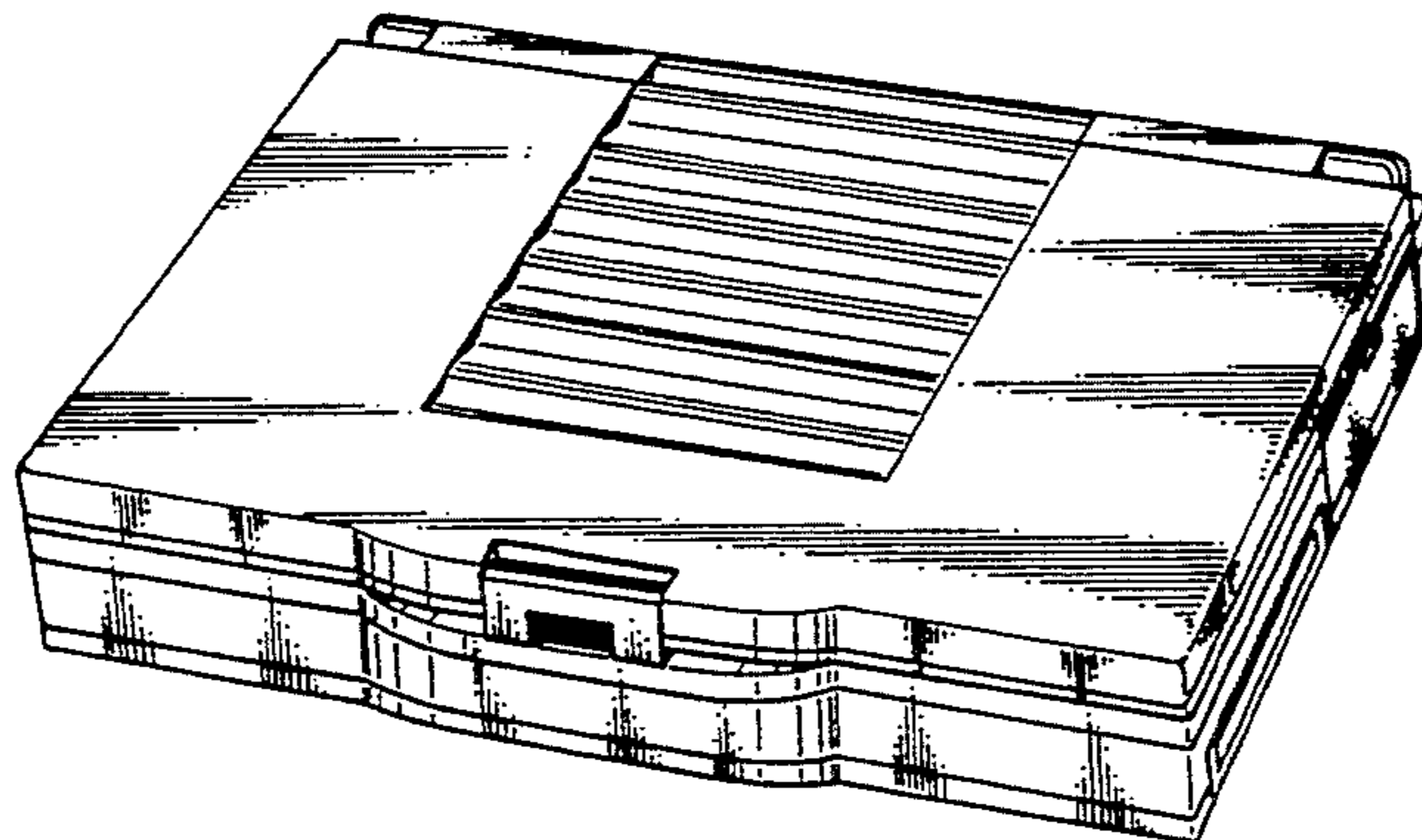
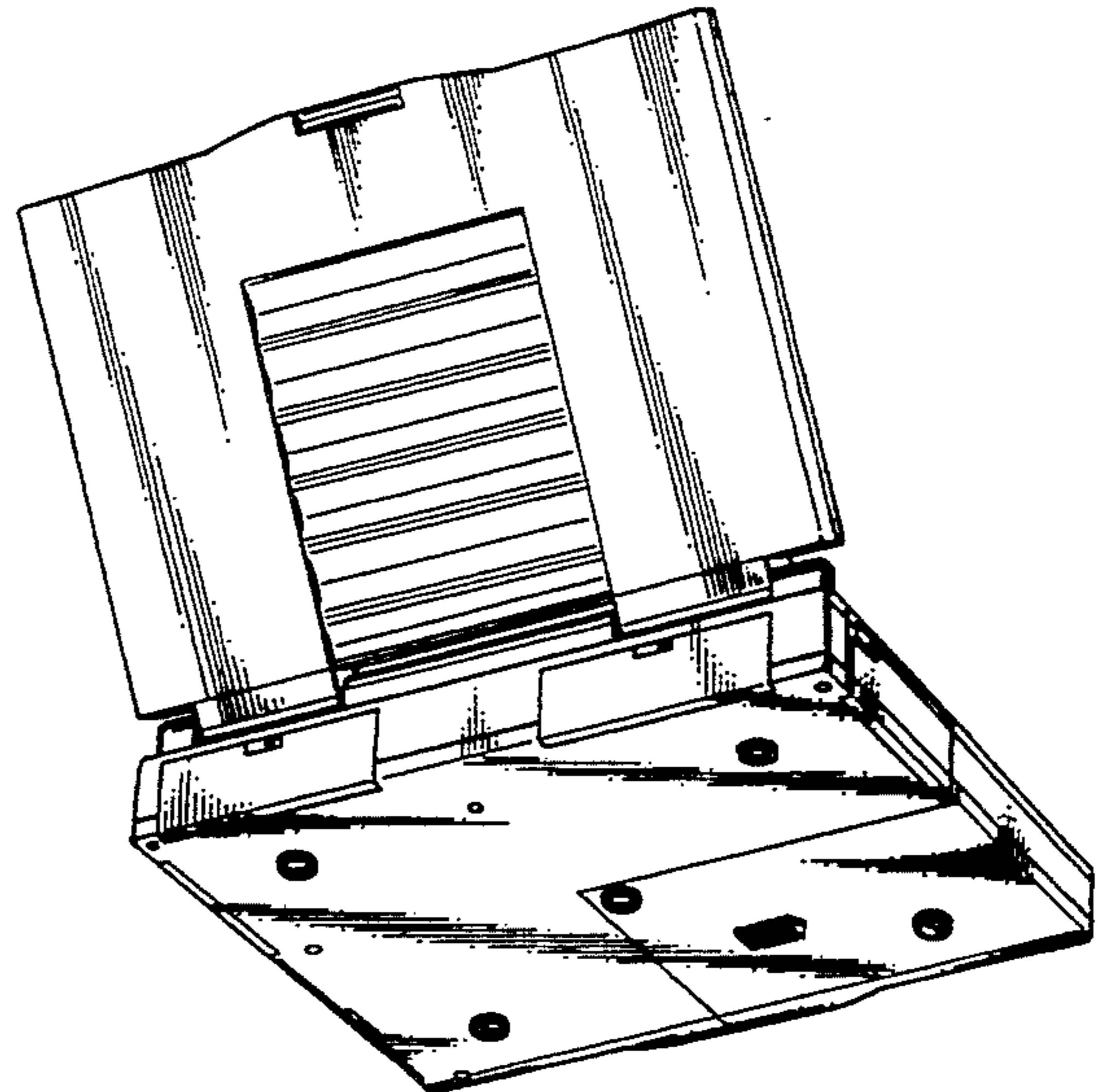
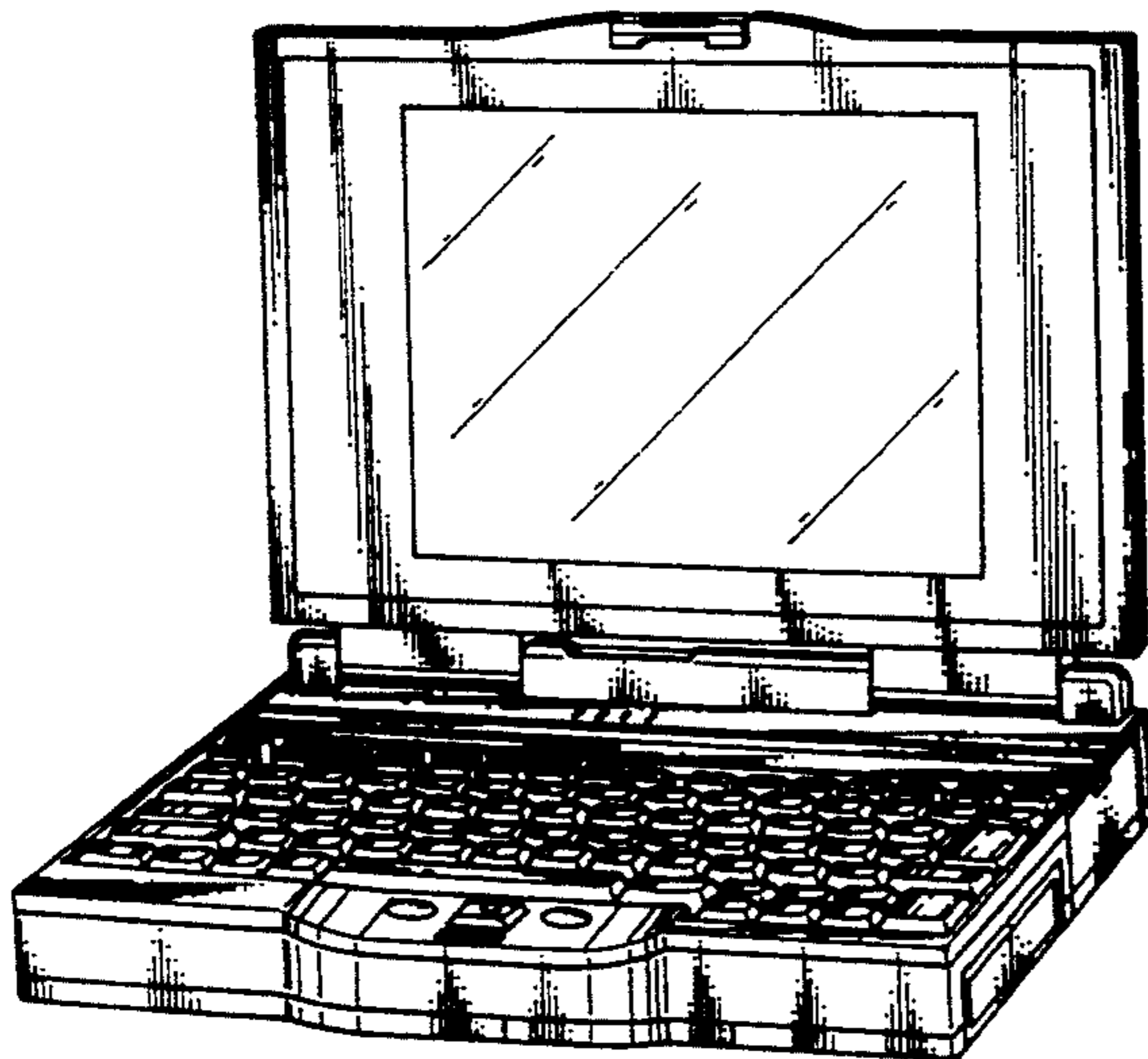


Fig. 1

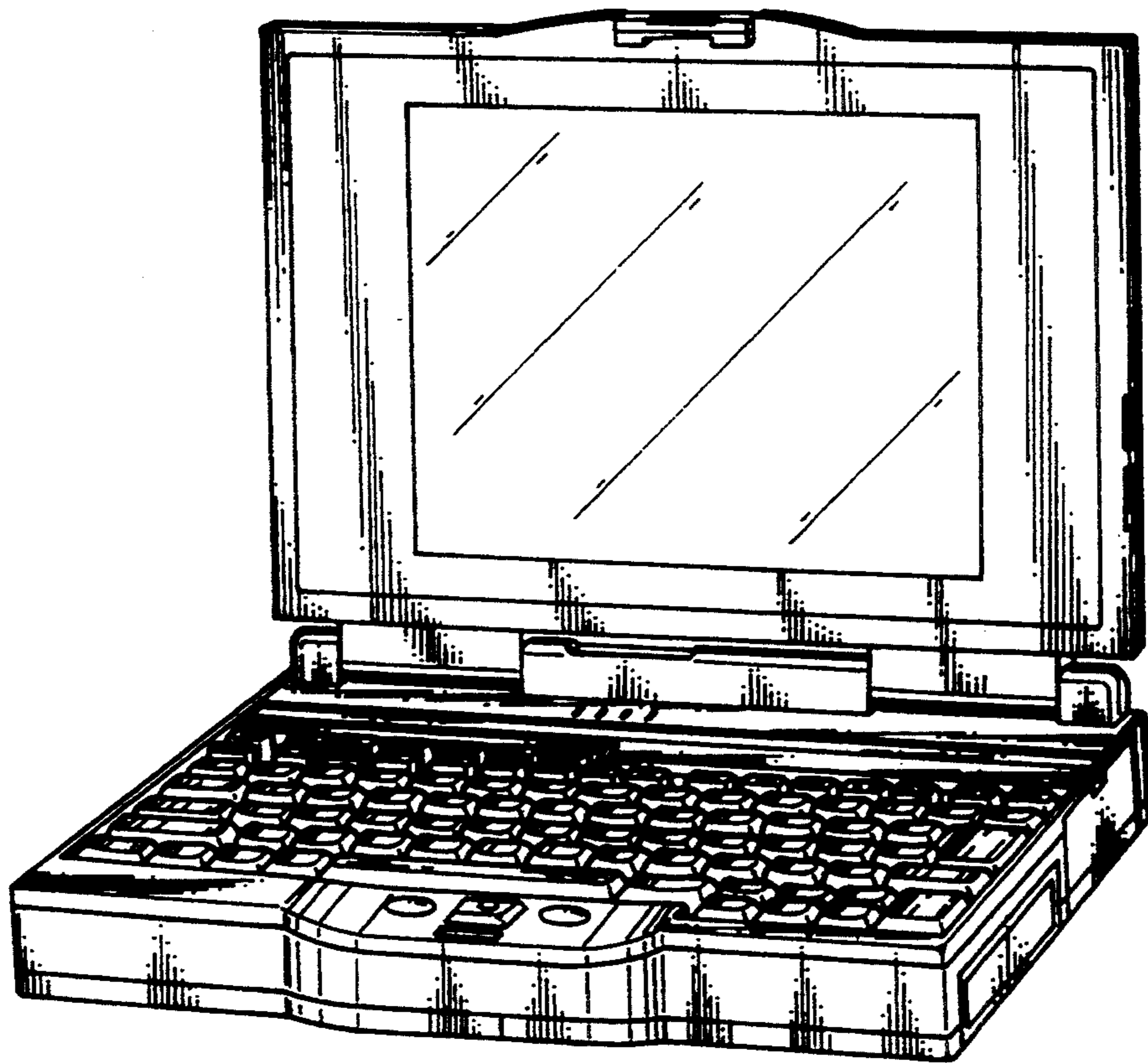


Fig. 2

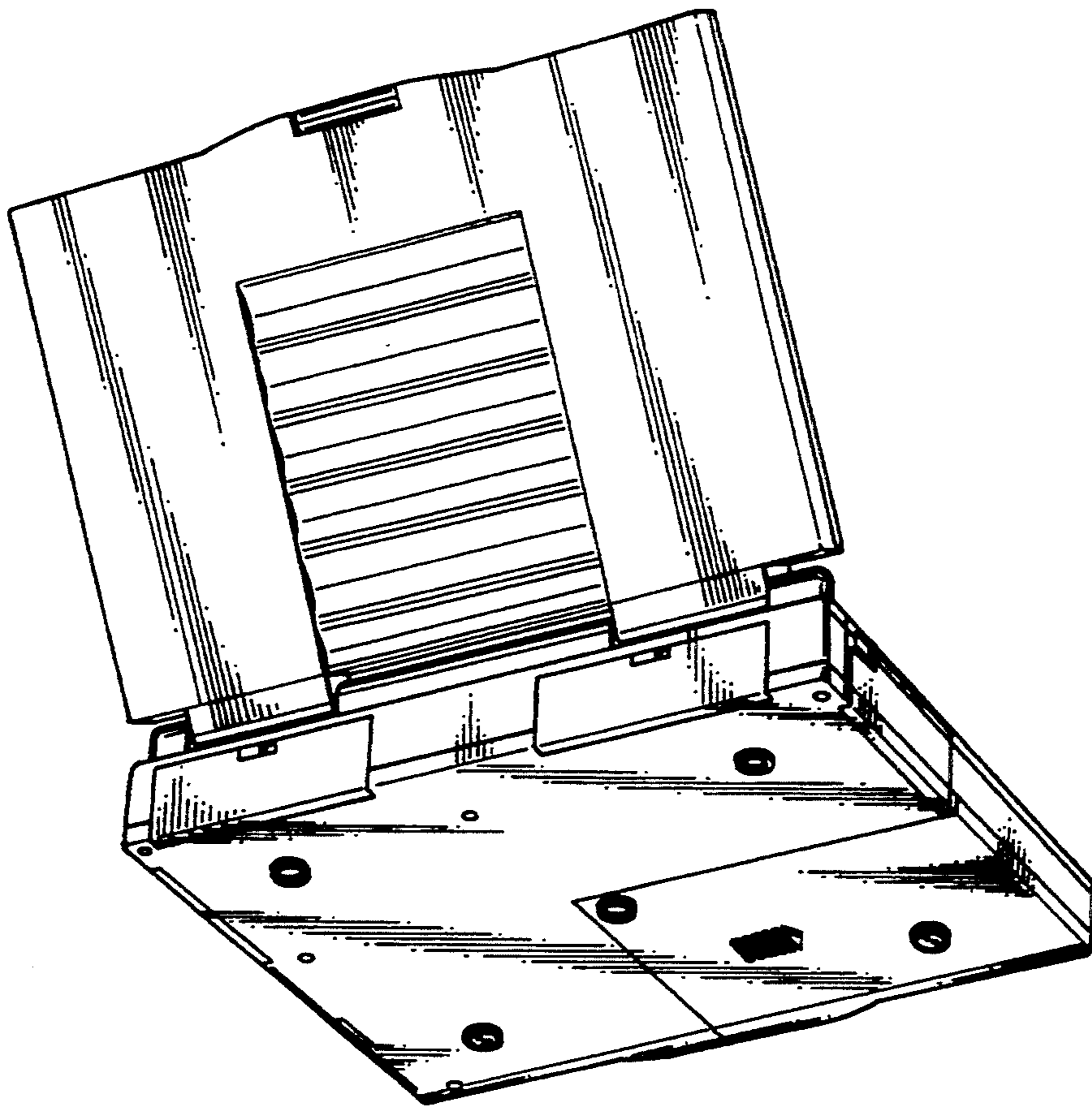


Fig. 3

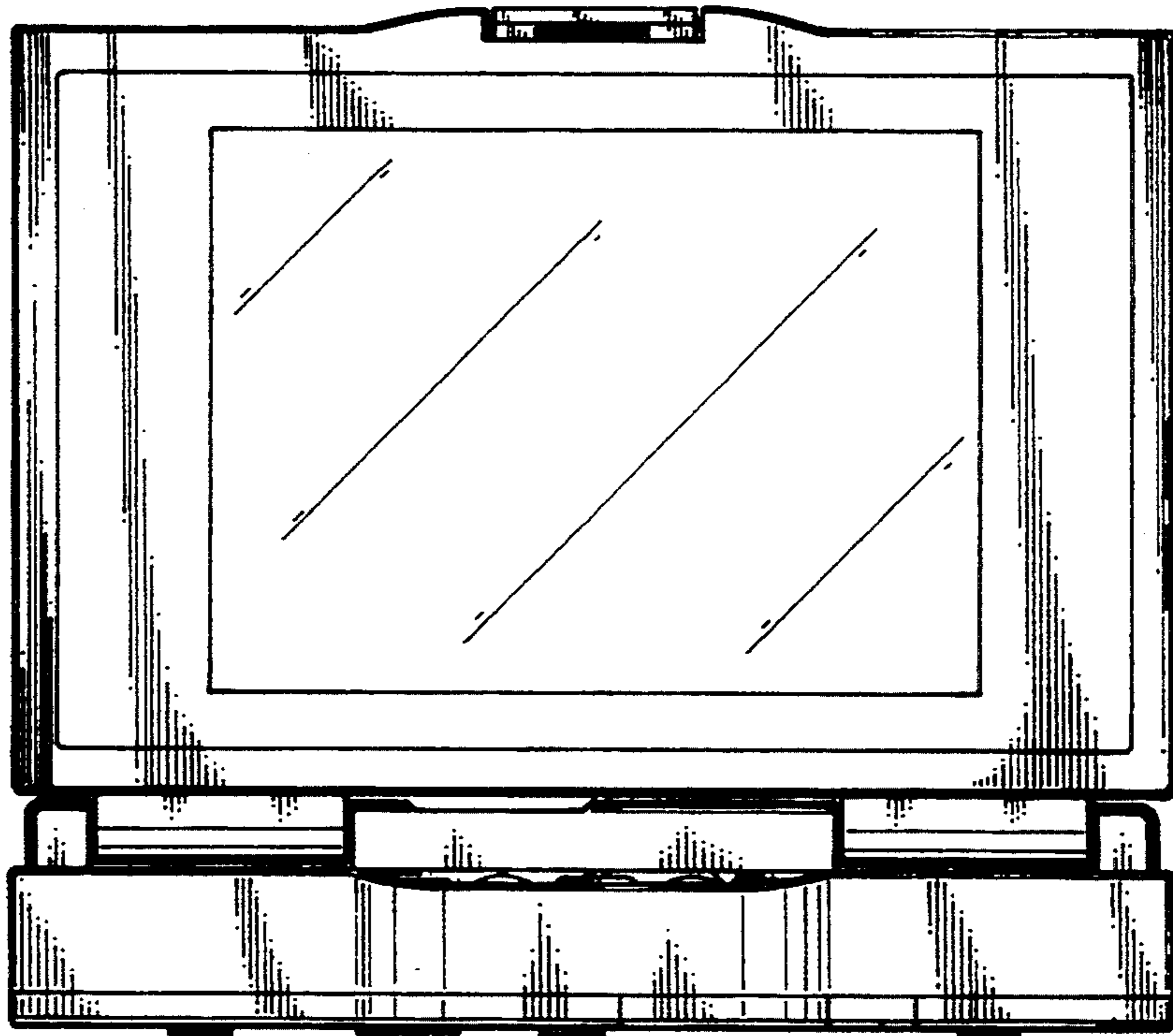


Fig. 4

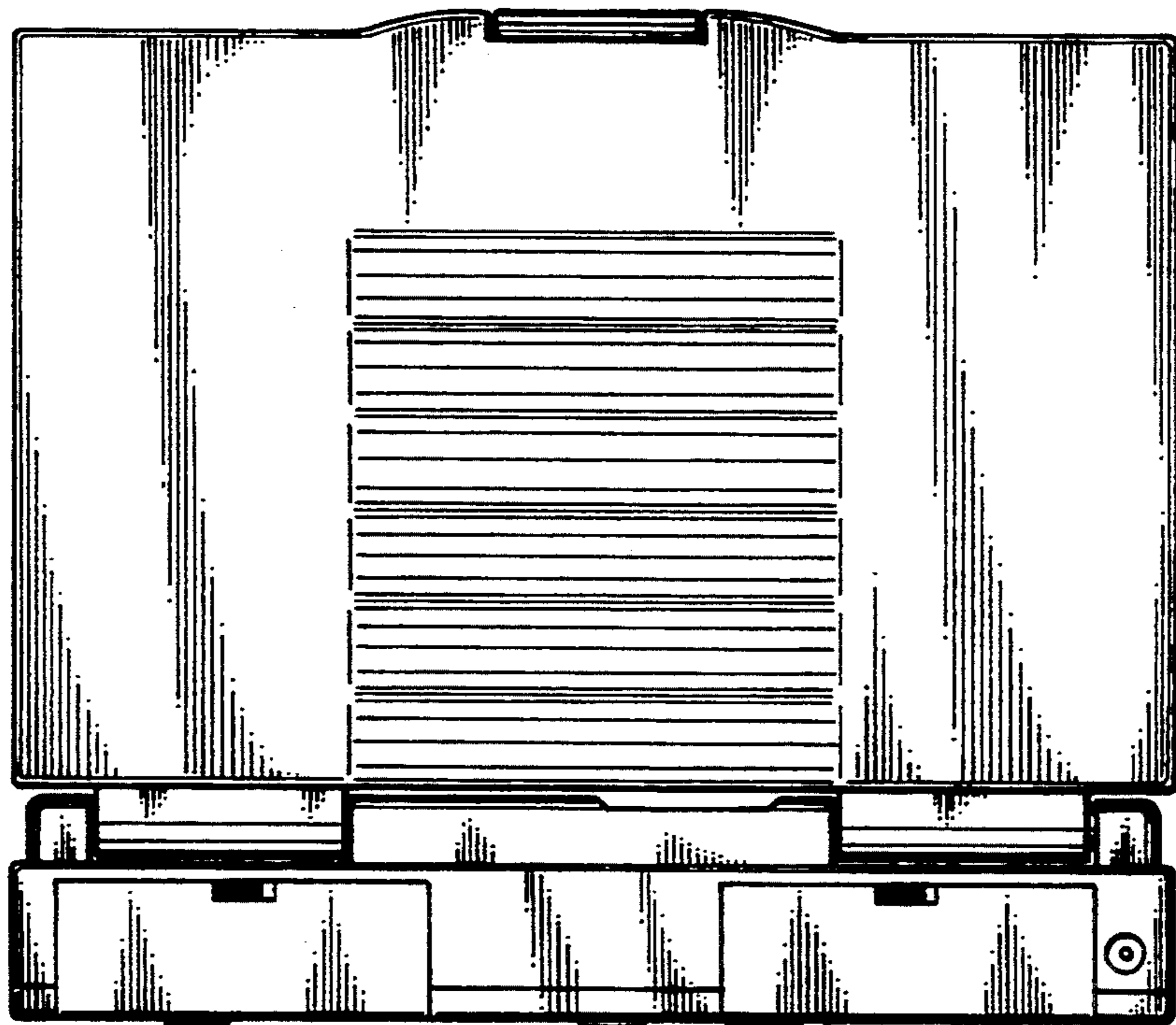


Fig. 5

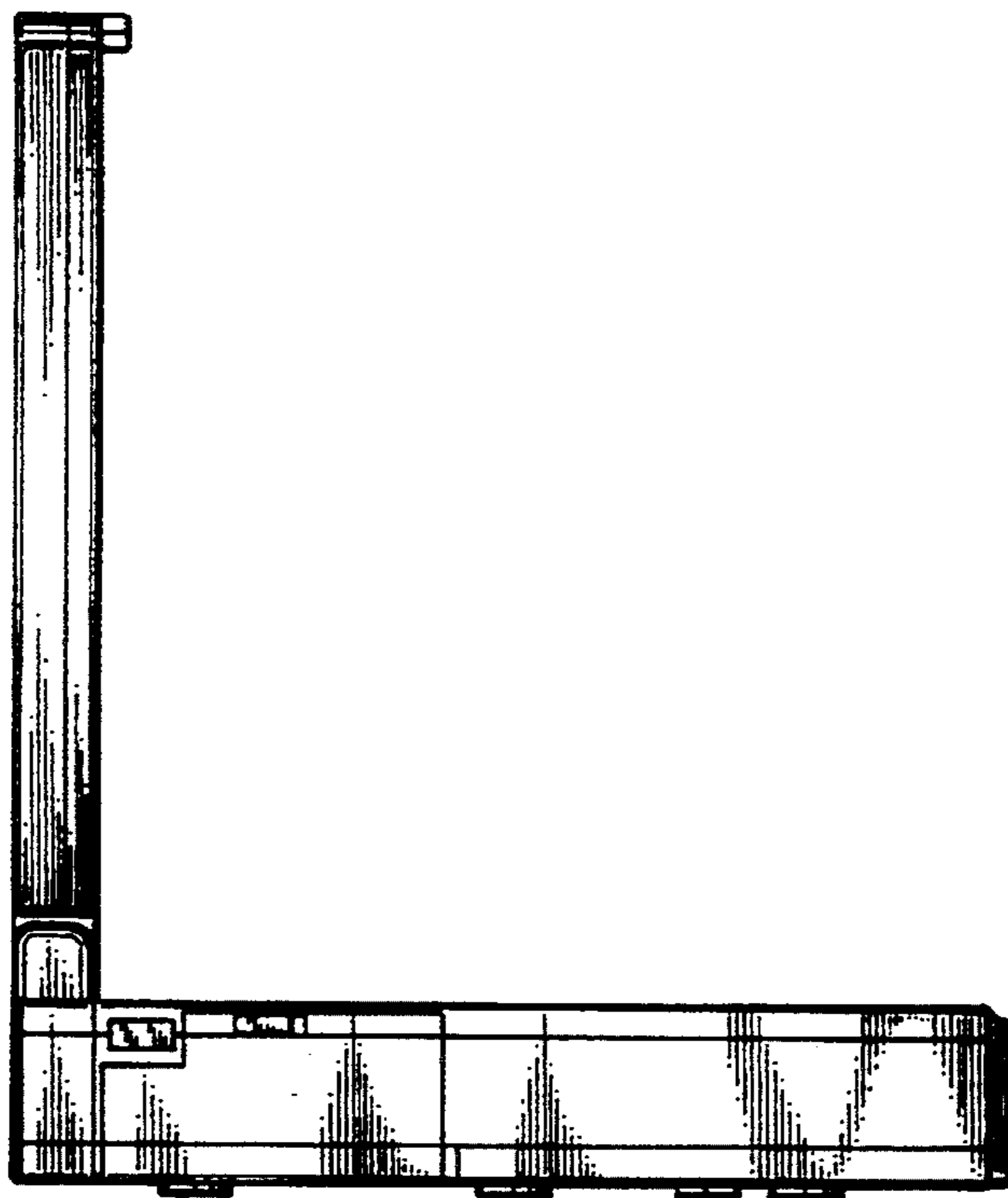


Fig. 6

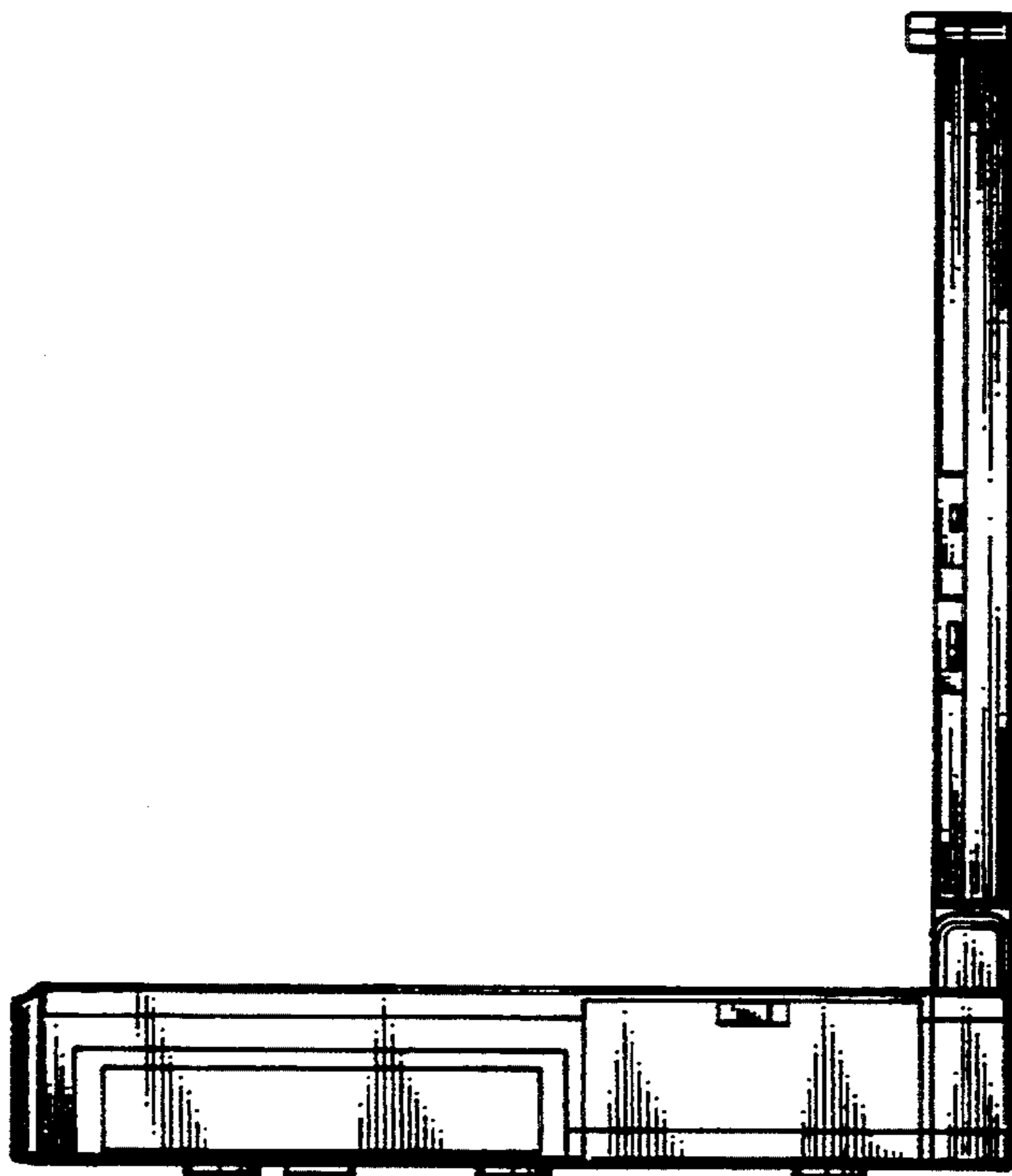


Fig. 7

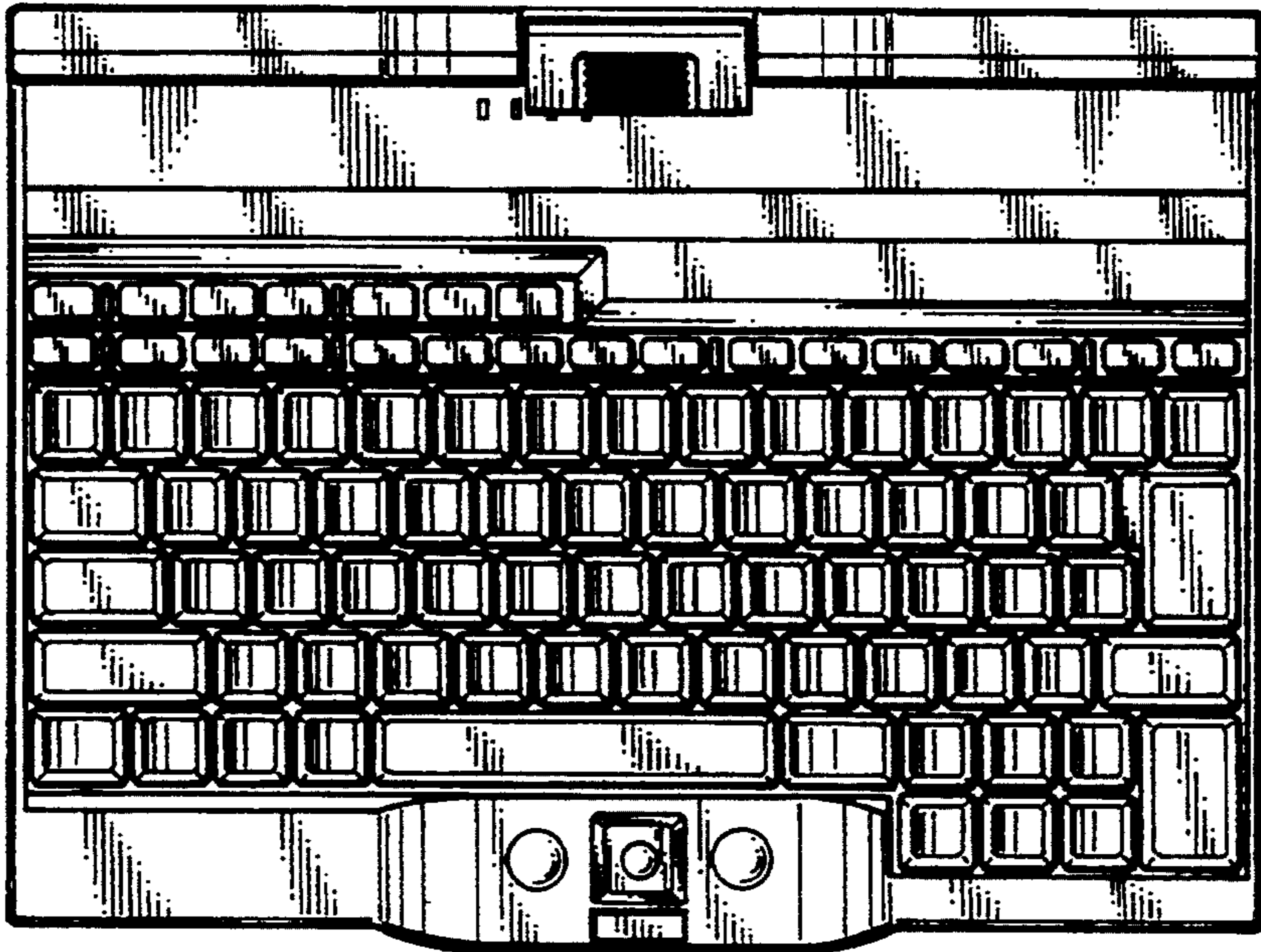


Fig. 8

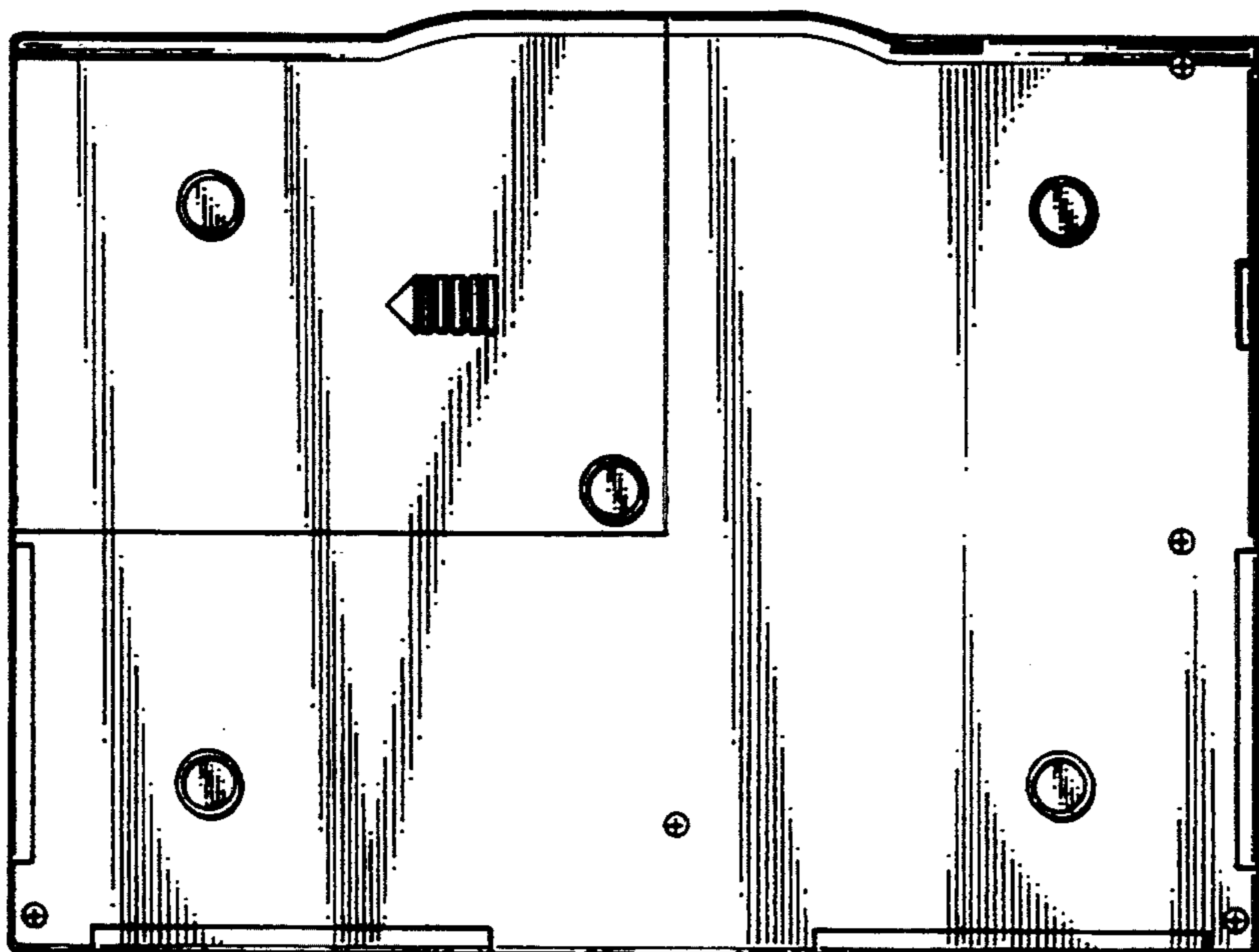


Fig. 9

