



US00D358583S

United States Patent [19]

[11] Patent Number: **Des. 358,583**

Winkler

[45] Date of Patent: **** May 23, 1995**

- [54] **PORTABLE COMPUTER WITH AN ARTICULATING DISPLAY PANEL**
- [75] Inventor: **Thomas J. Winkler, Isanti, Minn.**
- [73] Assignee: **Medtronic, Inc., Minneapolis, Minn.**
- [**] Term: **14 Years**
- [21] Appl. No.: **7,746**
- [22] Filed: **Apr. 29, 1993**
- [52] U.S. Cl. **D14/106; D24/186**
- [58] Field of Search **D14/100, 101, 106, 113, D14/115, 124-127; D18/1, 7, 11, 12, 2; 235/145 A, 145 R; 341/22, 23; 345/104, 156, 168, 173, 901-905; 361/679-686; 364/708.1, 709.04, 709.12; 400/486, 489; D24/167, 186, 232, 165, 169**

D. 345,347	3/1994	Yamazaki	D14/106
4,571,456	2/1986	Paulsen et al.	179/2 C
4,903,222	2/1990	Carter et al.	364/708
4,960,256	10/1990	Chihara et al.	248/284
4,976,007	12/1990	Lam	16/302
5,016,849	5/1991	Wu	248/183
5,052,078	10/1991	Hosoi	16/297
5,090,913	2/1992	Kobayashi et al.	439/165
5,345,362	9/1994	Winkler	361/681

Primary Examiner—Freda S. Nunn
Attorney, Agent, or Firm—Dianne M. F. Plunkett;
 Harold R. Patton

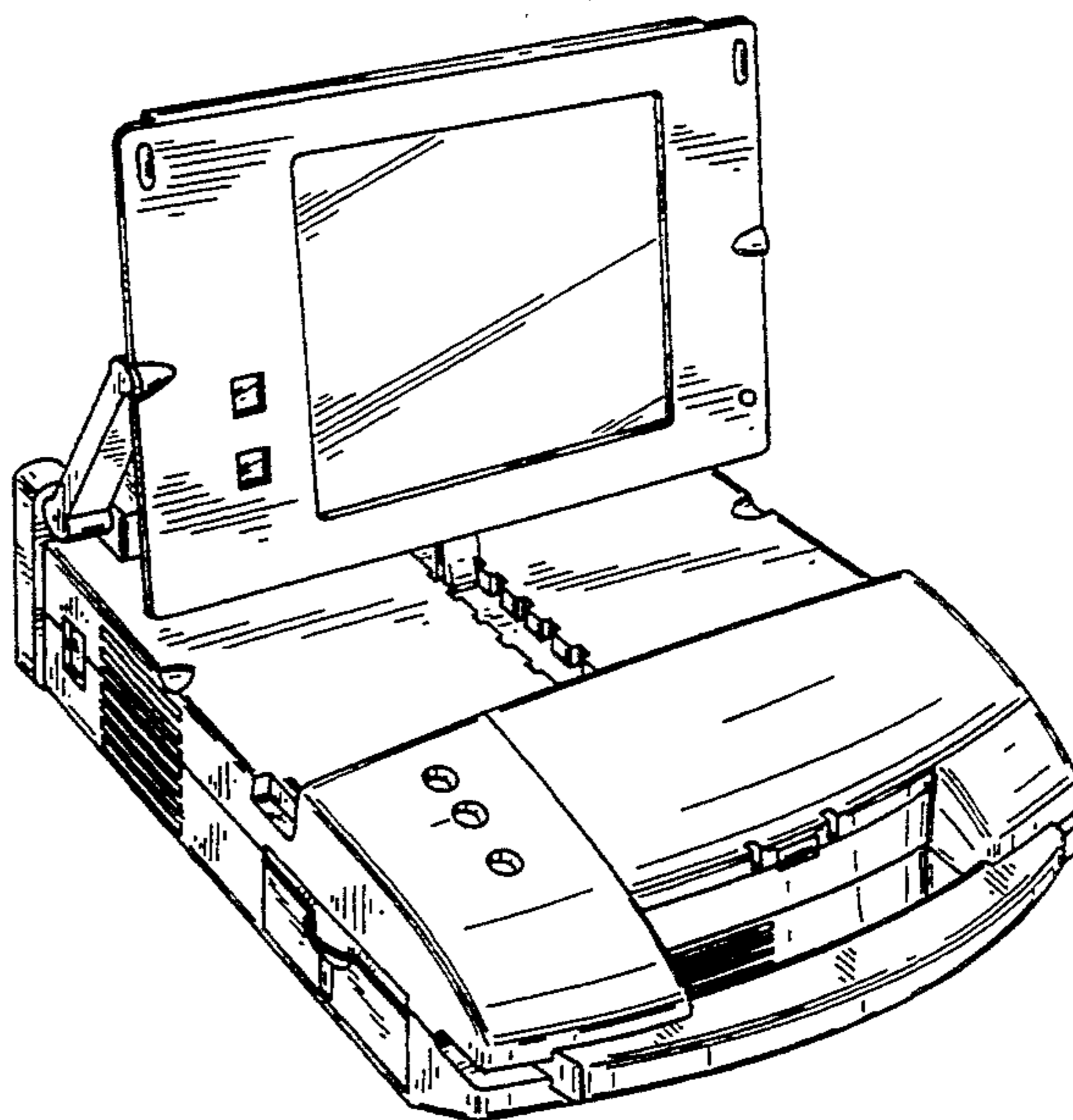
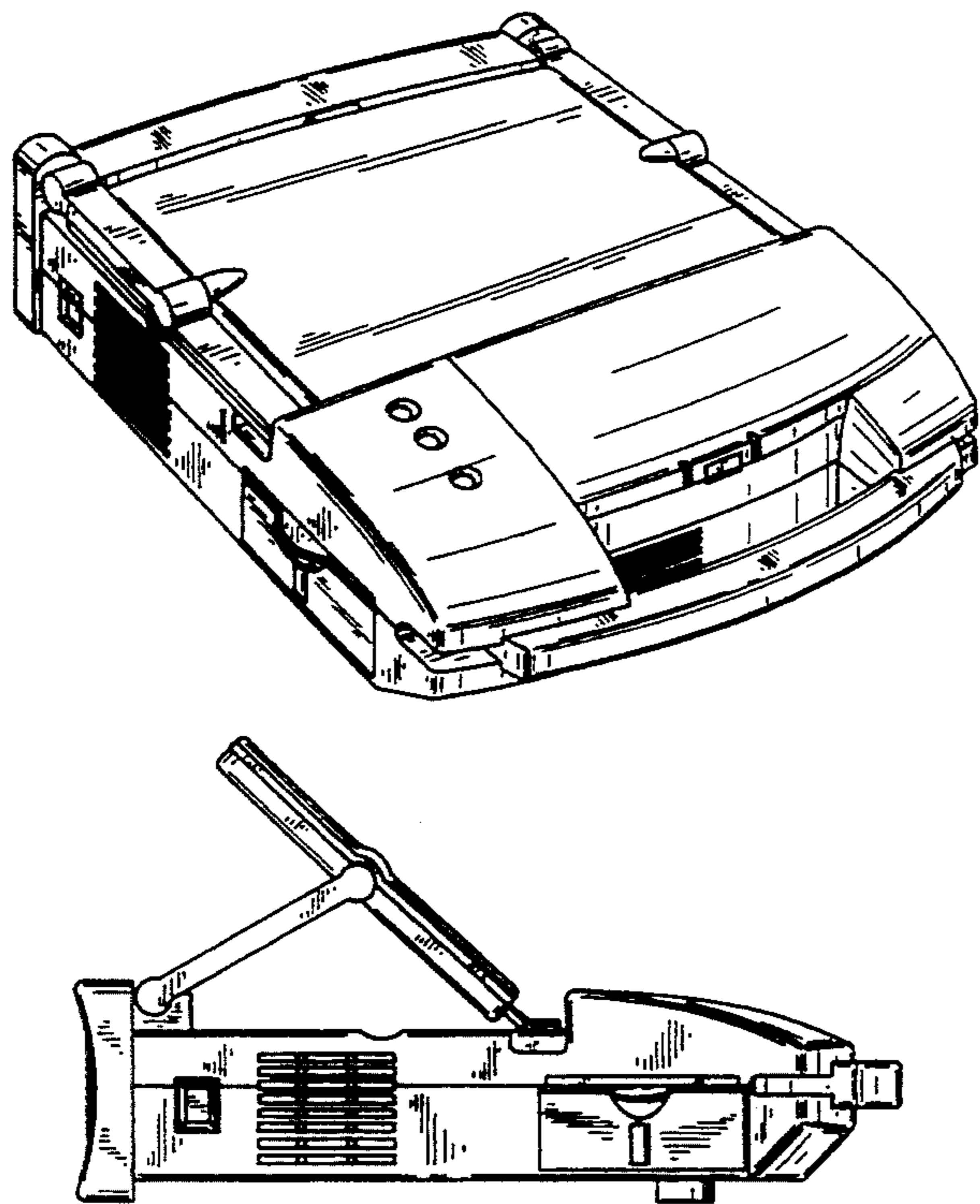
[57] CLAIM

The ornamental design for a portable computer with an articulating display panel, as shown and described.

DESCRIPTION

FIG. 1 is a top front and left side perspective view of a portable computer with an articulating display panel showing my new design;
 FIG. 2 is a top view thereof;
 FIG. 3 is a front view thereof;
 FIG. 4 is a left side view thereof;
 FIG. 5 is a right side view thereof;
 FIG. 6 is a bottom view thereof;
 FIG. 7 is a rear view thereof;
 FIG. 8 is a front perspective view thereof with the display screen opened into one of its viewing positions;
 FIG. 9 is a left side view thereof with the display screen opened into one of its viewing positions; and,
 FIG. 10 is a left side view thereof with the display screen in a second angular viewing position.

- [56] **References Cited**
- U.S. PATENT DOCUMENTS**
- | | | | | |
|------------|---------|-------------------|-------|-----------|
| D. 275,102 | 8/1984 | MacConnell | | D14/106 X |
| D. 293,579 | 1/1988 | Davis | | D14/113 |
| D. 302,267 | 7/1989 | Genaro et al. | | D14/106 |
| D. 314,564 | 2/1991 | Grundstrom et al. | | D14/113 |
| D. 315,549 | 3/1991 | Clough et al. | | D14/100 |
| D. 317,443 | 6/1991 | Wilson et al. | | D14/106 |
| D. 321,172 | 10/1991 | Moore, VI et al. | | D14/100 |
| D. 321,176 | 10/1991 | Ma | | D14/106 |
| D. 336,077 | 6/1993 | Barry et al. | | D14/106 |
| D. 336,637 | 6/1993 | Abe et al. | | D14/106 |
| D. 338,879 | 8/1993 | Iino | | D14/106 |
| D. 343,168 | 1/1994 | Morisaki et al. | | D14/106 |



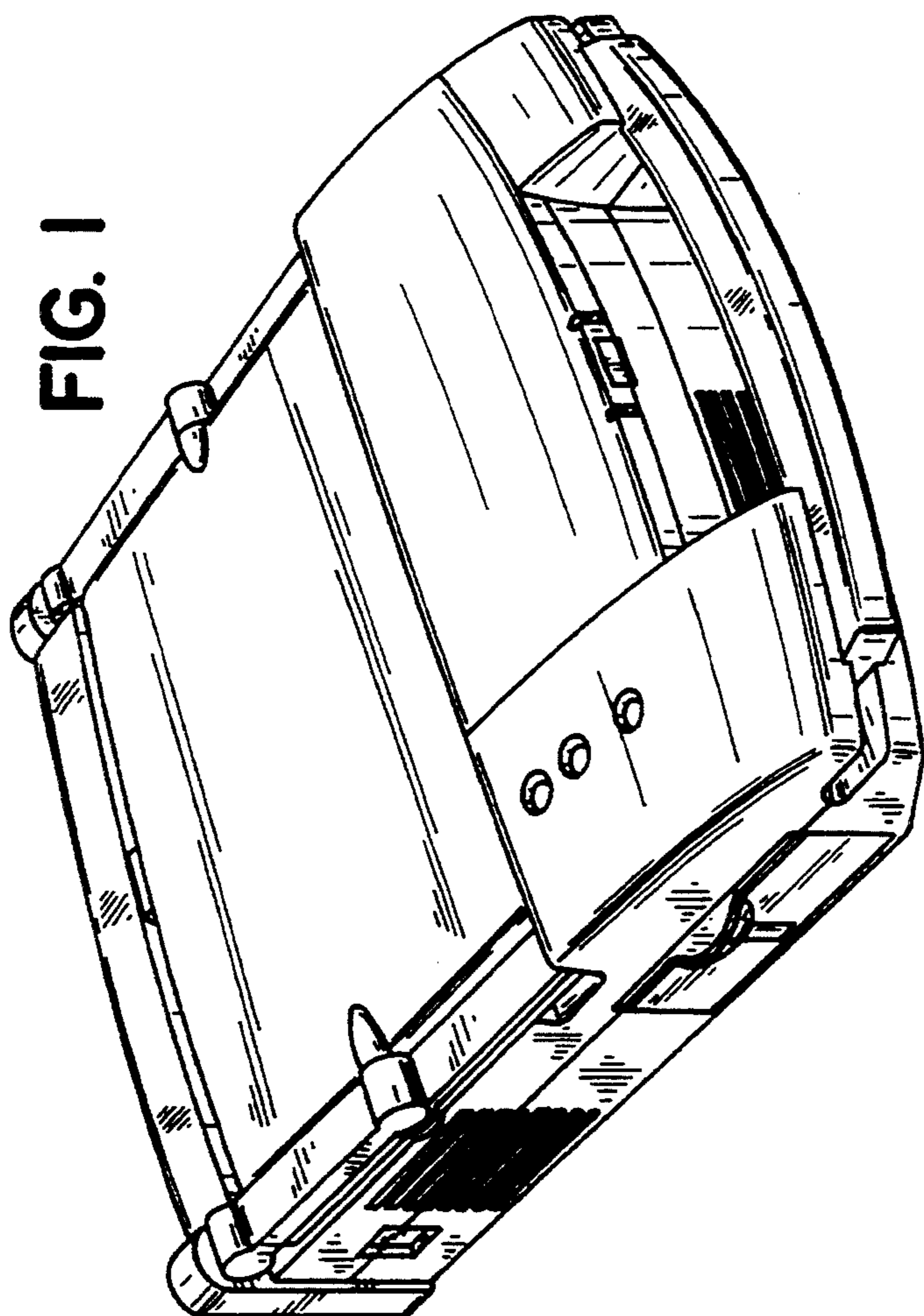


FIG. 1

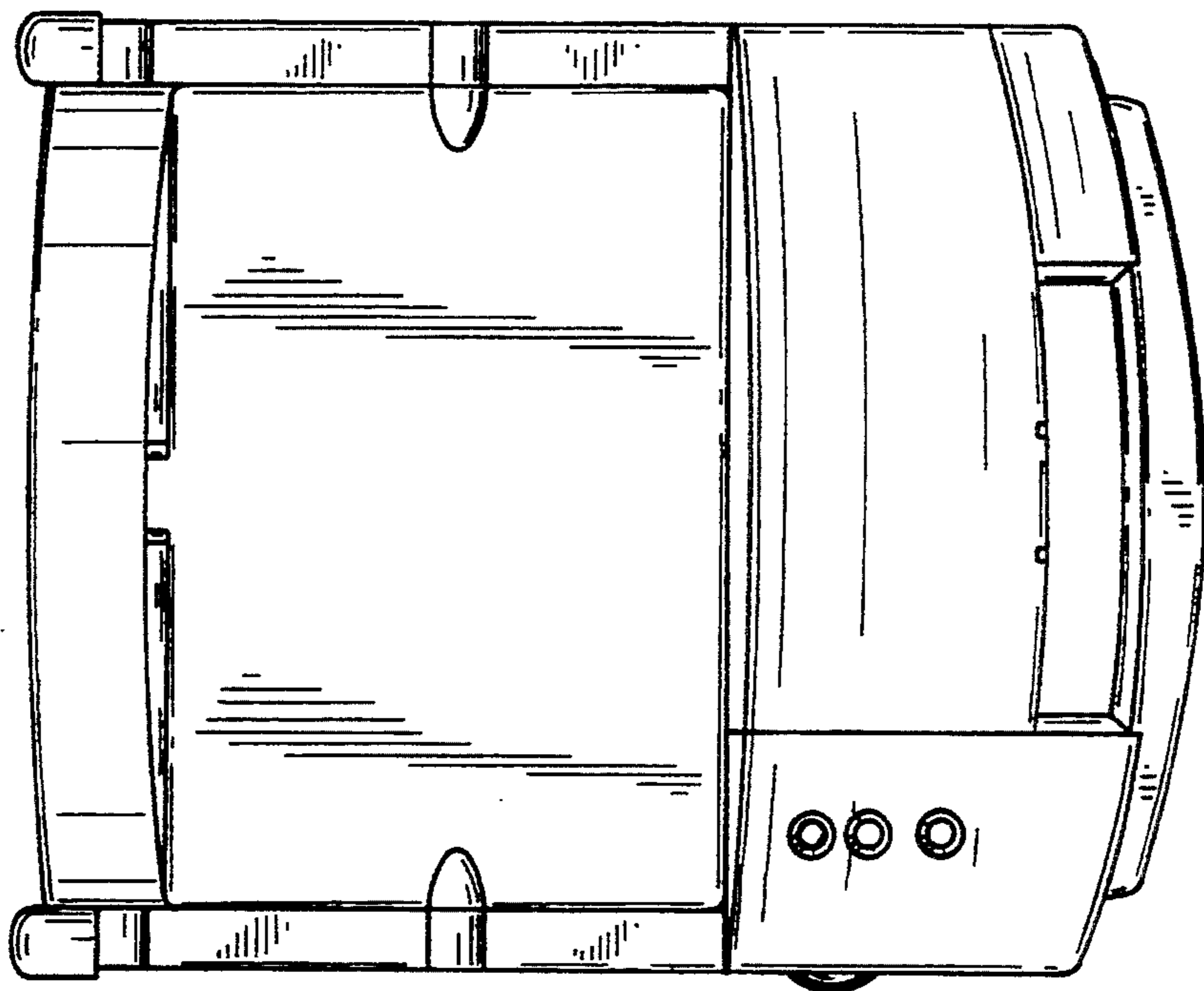


FIG. 2

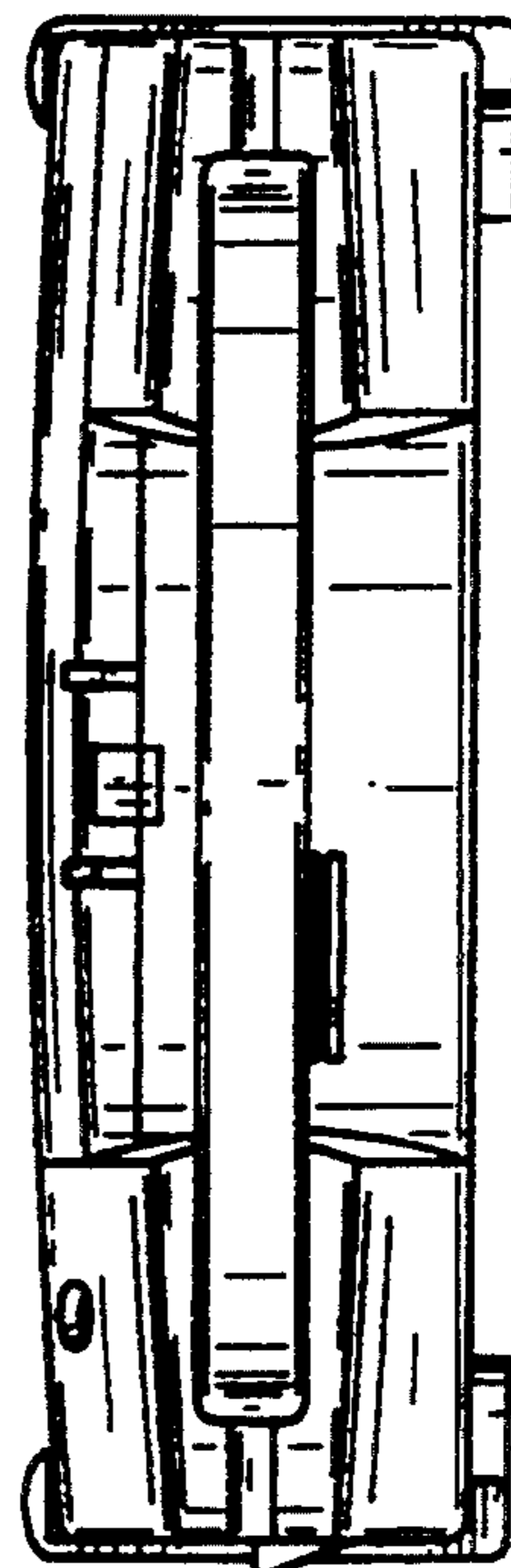


FIG. 3

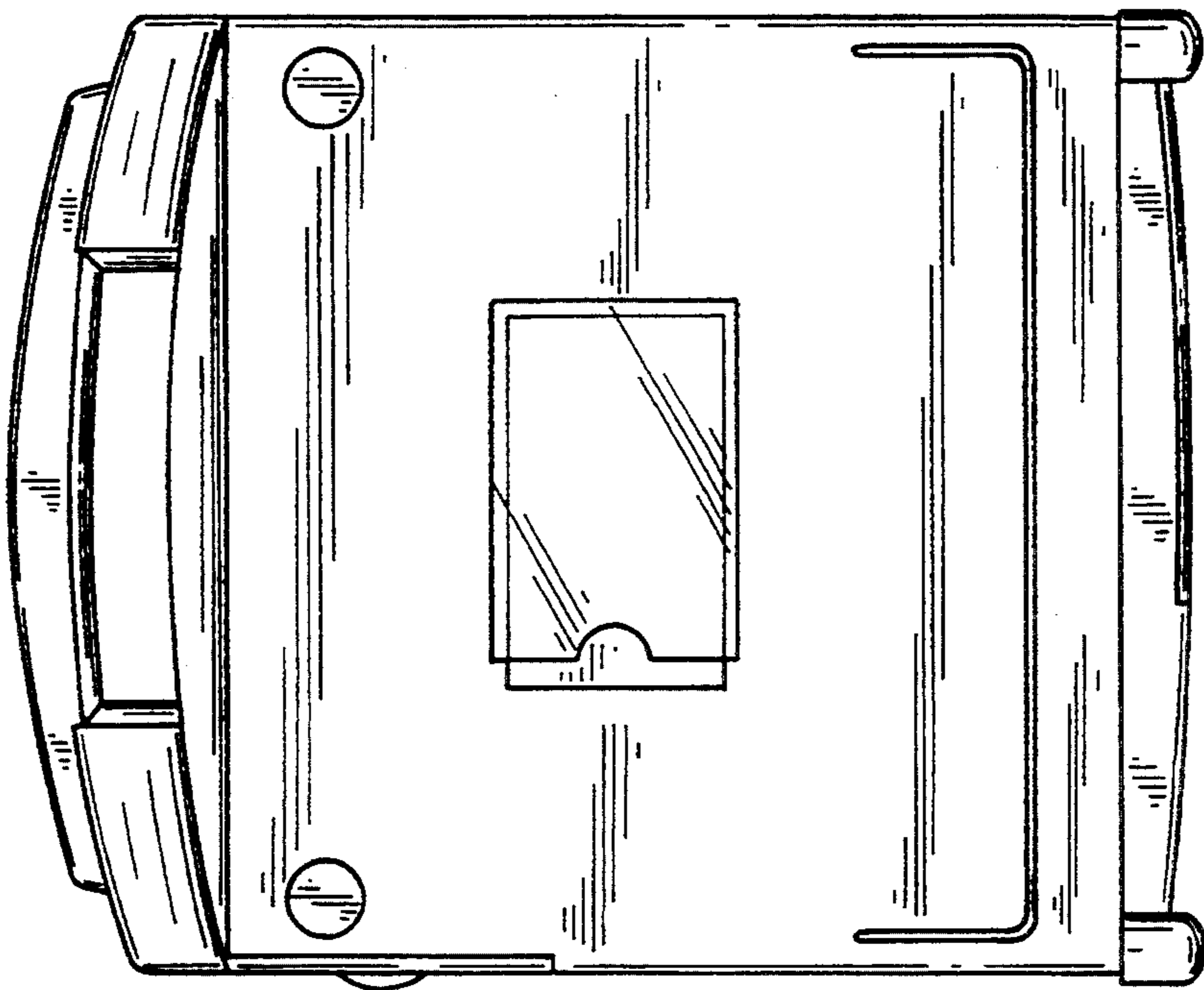


FIG. 6

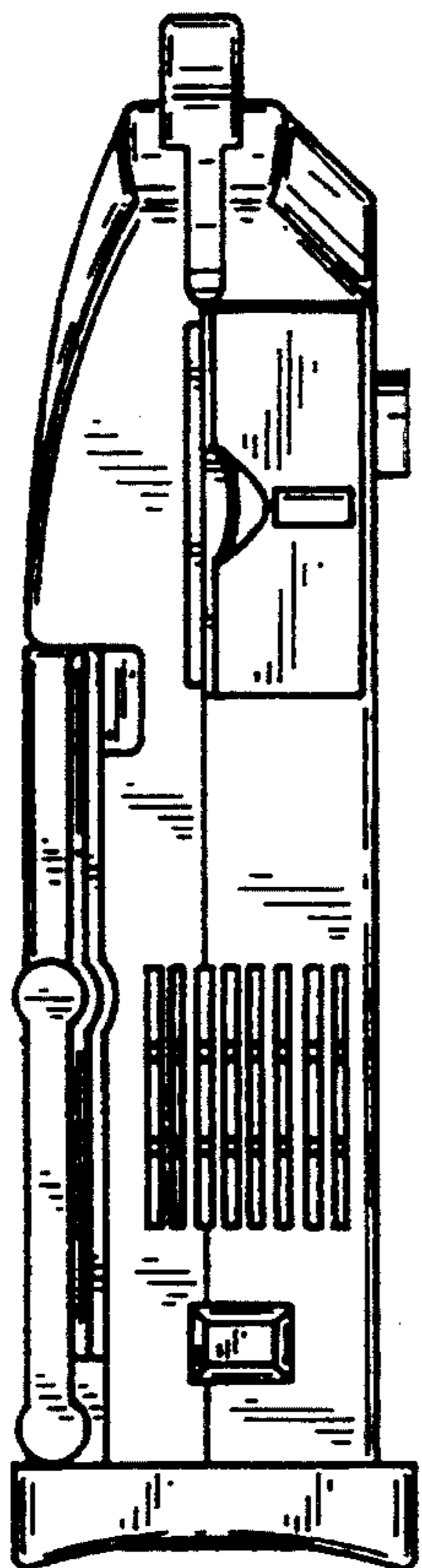


FIG. 4

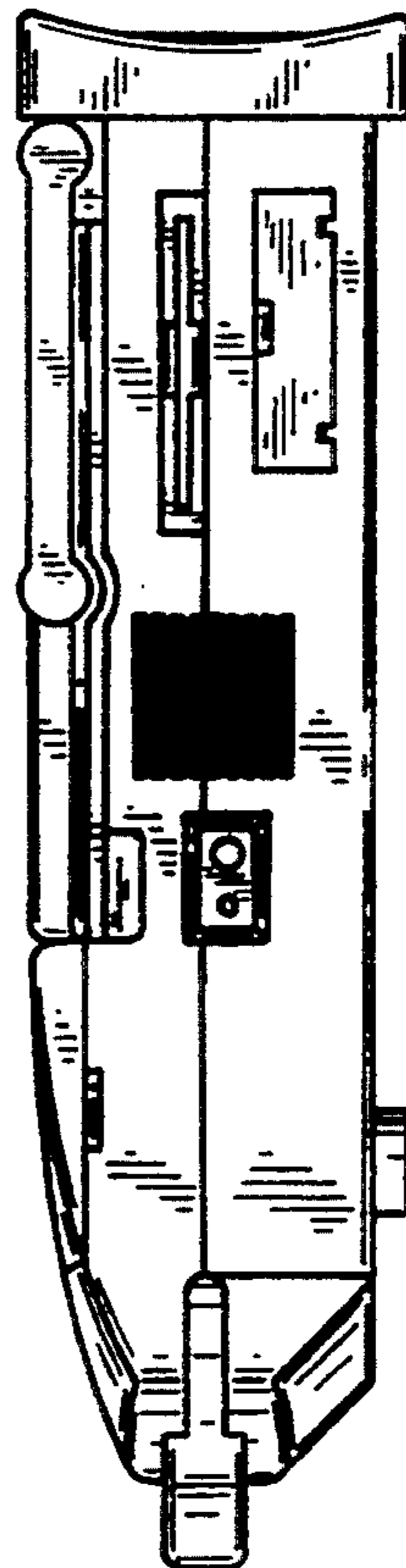


FIG. 5

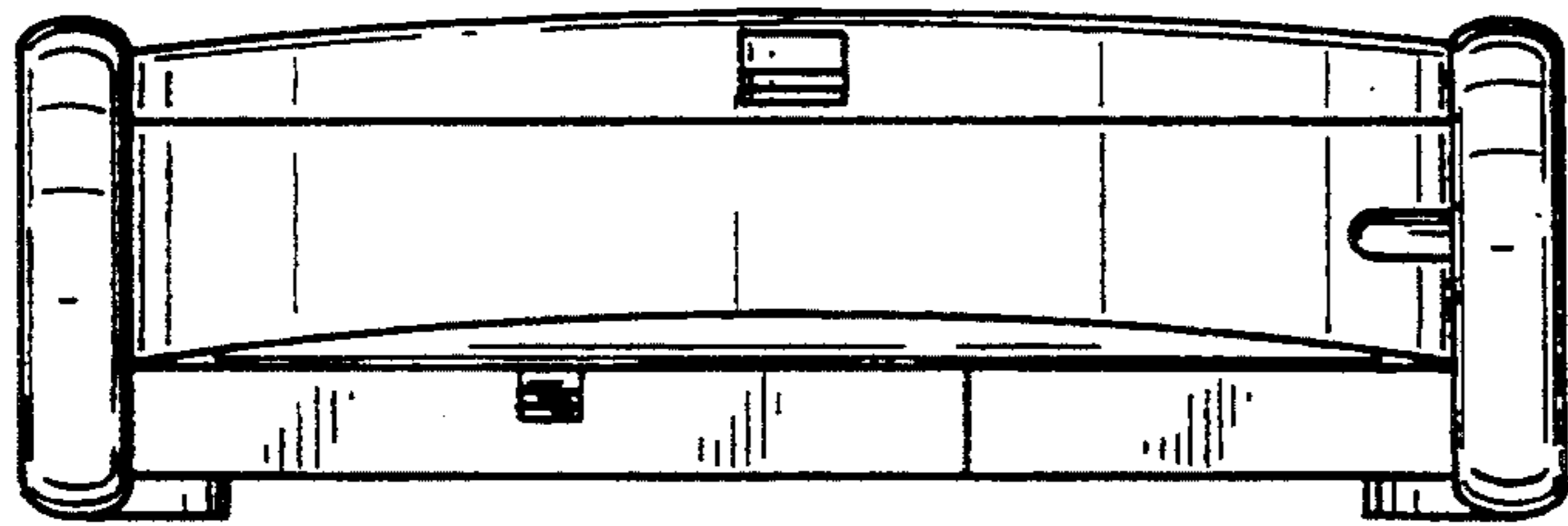


FIG. 7

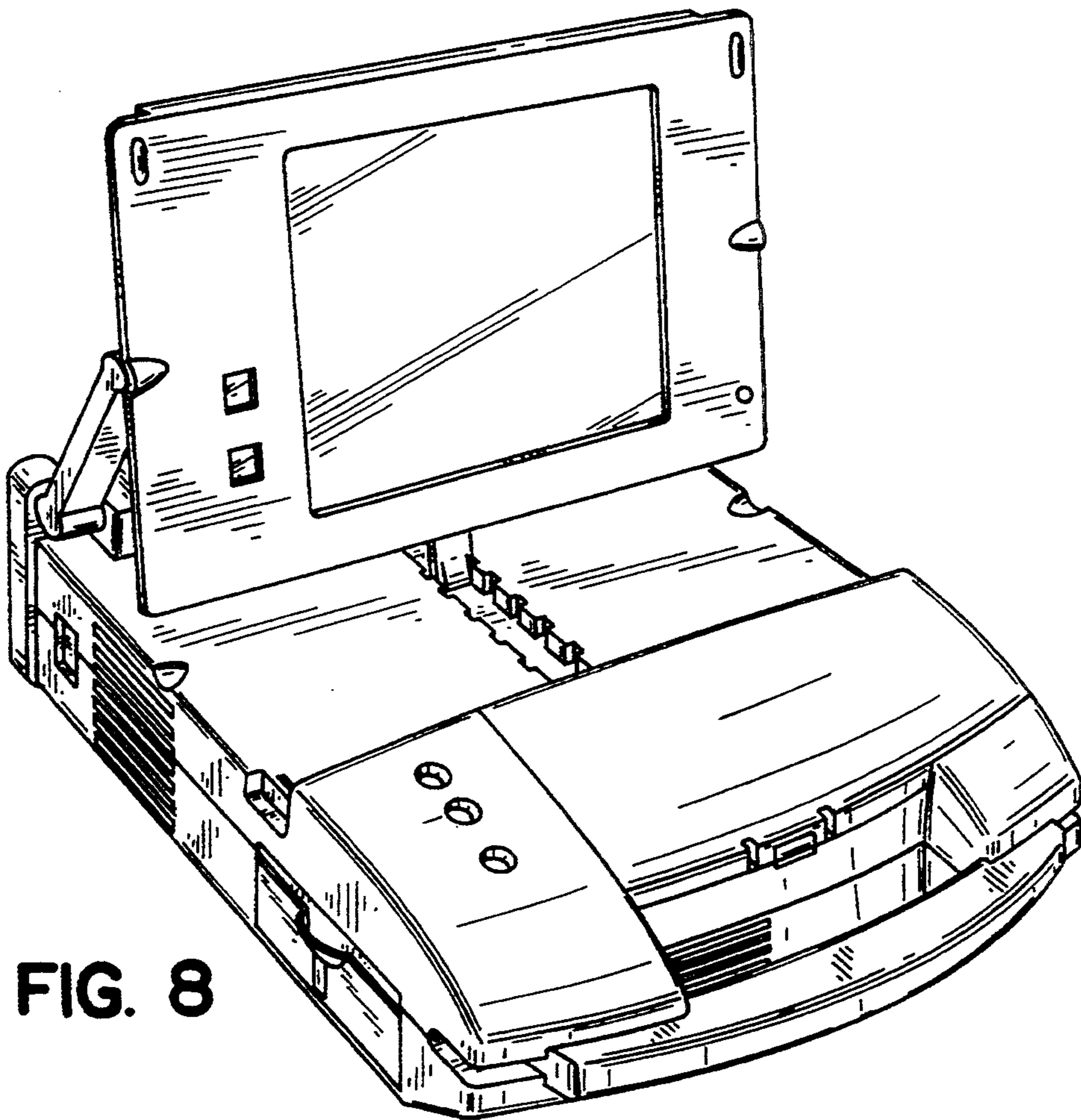


FIG. 8

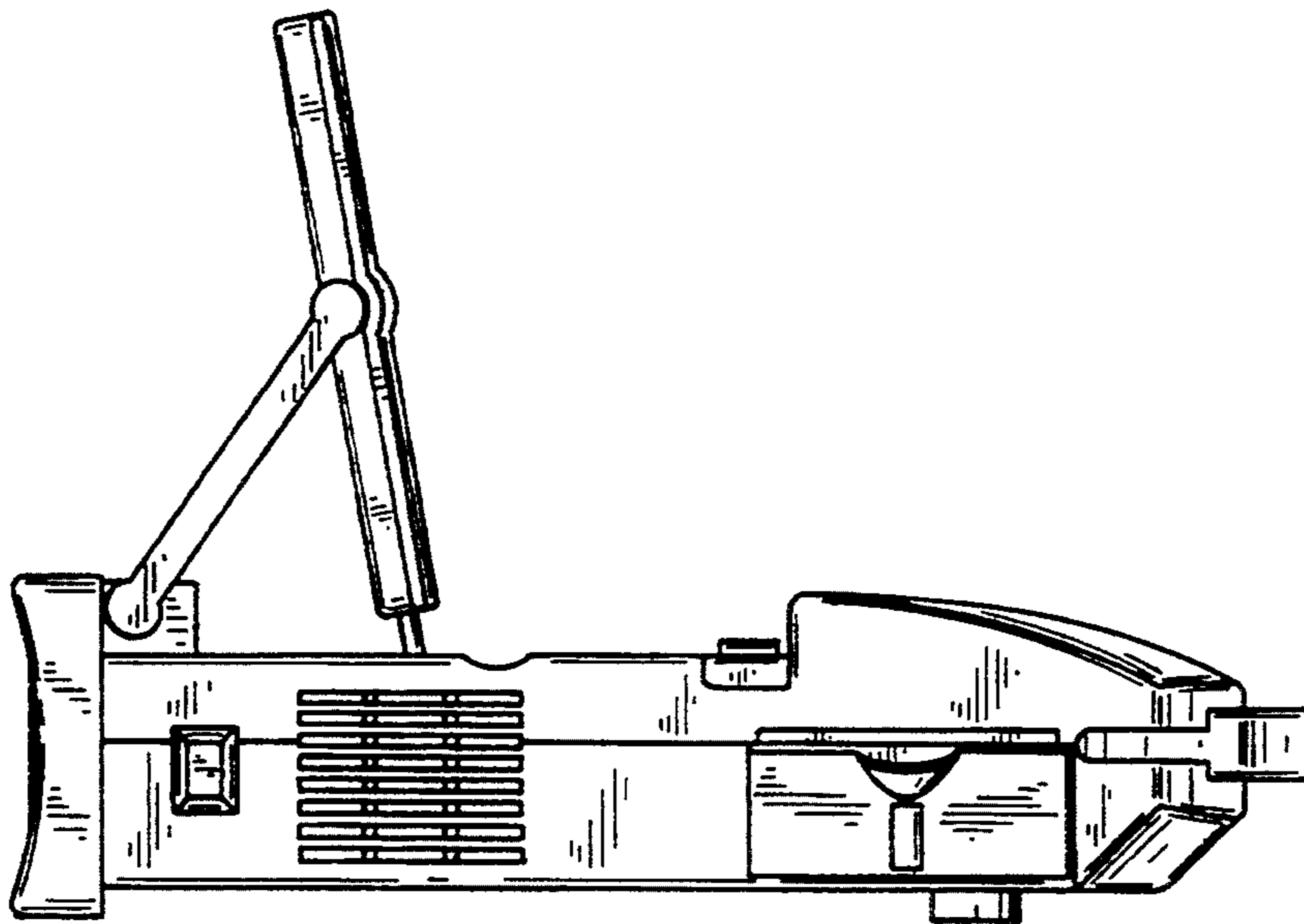


FIG. 9

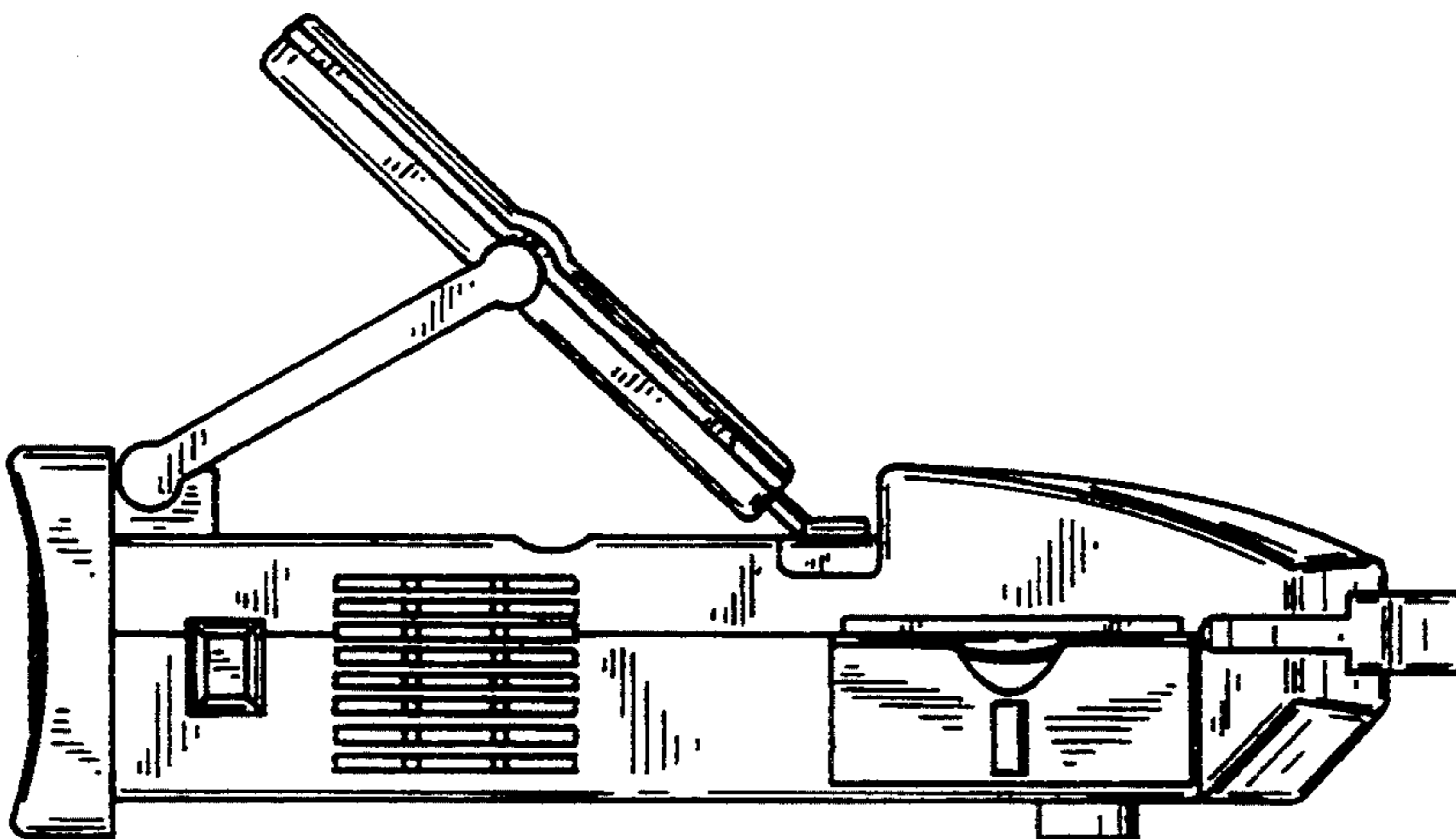


FIG. 10