



US00D358579S

# United States Patent [19]

[11] Patent Number: **Des. 358,579**

Richards et al.

[45] Date of Patent: **\*\* May 23, 1995**

[54] **INSERT PORTION OF A BATTERY CHARGER FOR A PORTABLE RADIO**

[75] Inventors: **Scott H. Richards**, Plantation; **Bruce A. Claxton**, Coral Springs, both of Fla.

[73] Assignee: **Motorola, Inc.**, Schaumburg, Ill.

[\*\*] Term: **14 Years**

[21] Appl. No.: **8,968**

[22] Filed: **May 27, 1993**

[52] U.S. Cl. .... **D13/108**

[58] Field of Search ..... **D13/107, 108, 110; 320/1, 2, 3, 4, 5, 15, 21**

[56] **References Cited**

**U.S. PATENT DOCUMENTS**

D. 201,862	8/1965	Johnson et al. ....	D13/108
D. 204,881	5/1966	Cook .....	D13/108
D. 206,590	1/1967	Haggstrom et al. ....	D26/15
D. 274,903	7/1984	Eckmann et al. ....	D13/107
D. 275,482	9/1984	Coons et al. ....	D14/60
D. 277,662	2/1985	Huntington et al. ....	D13/107
D. 278,228	4/1985	Liautaud et al. ....	D13/107
D. 289,996	2/1987	Oord et al. ....	D13/108
D. 297,827	9/1988	Lay .....	D13/6

D. 298,119	10/1988	Richards et al. ....	D13/6
D. 327,248	6/1992	Hotsumi et al. ....	D13/108
D. 335,861	5/1993	Tattari .....	D13/108
4,558,270	10/1985	Liautaud et al. ....	320/2
4,588,938	5/1986	Liautaud et al. ....	320/2
5,052,943	10/1991	Davis .....	D13/103
5,065,082	11/1991	Fushiya .....	320/2

**OTHER PUBLICATIONS**

AC charger in Fujitsu publication.

*Primary Examiner*—Joel Sincavage

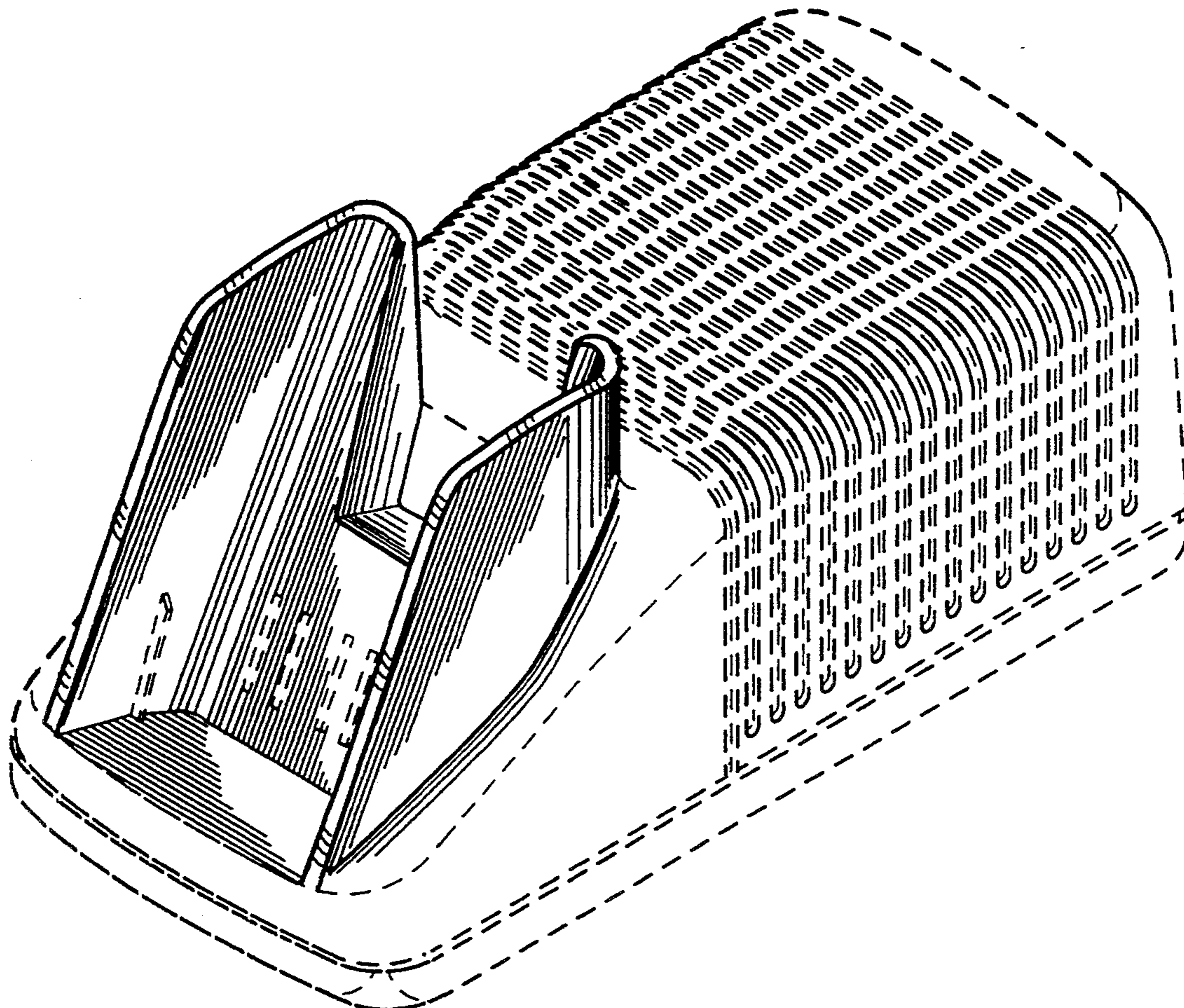
*Attorney, Agent, or Firm*—Dale W. Dorinski

[57] **CLAIM**

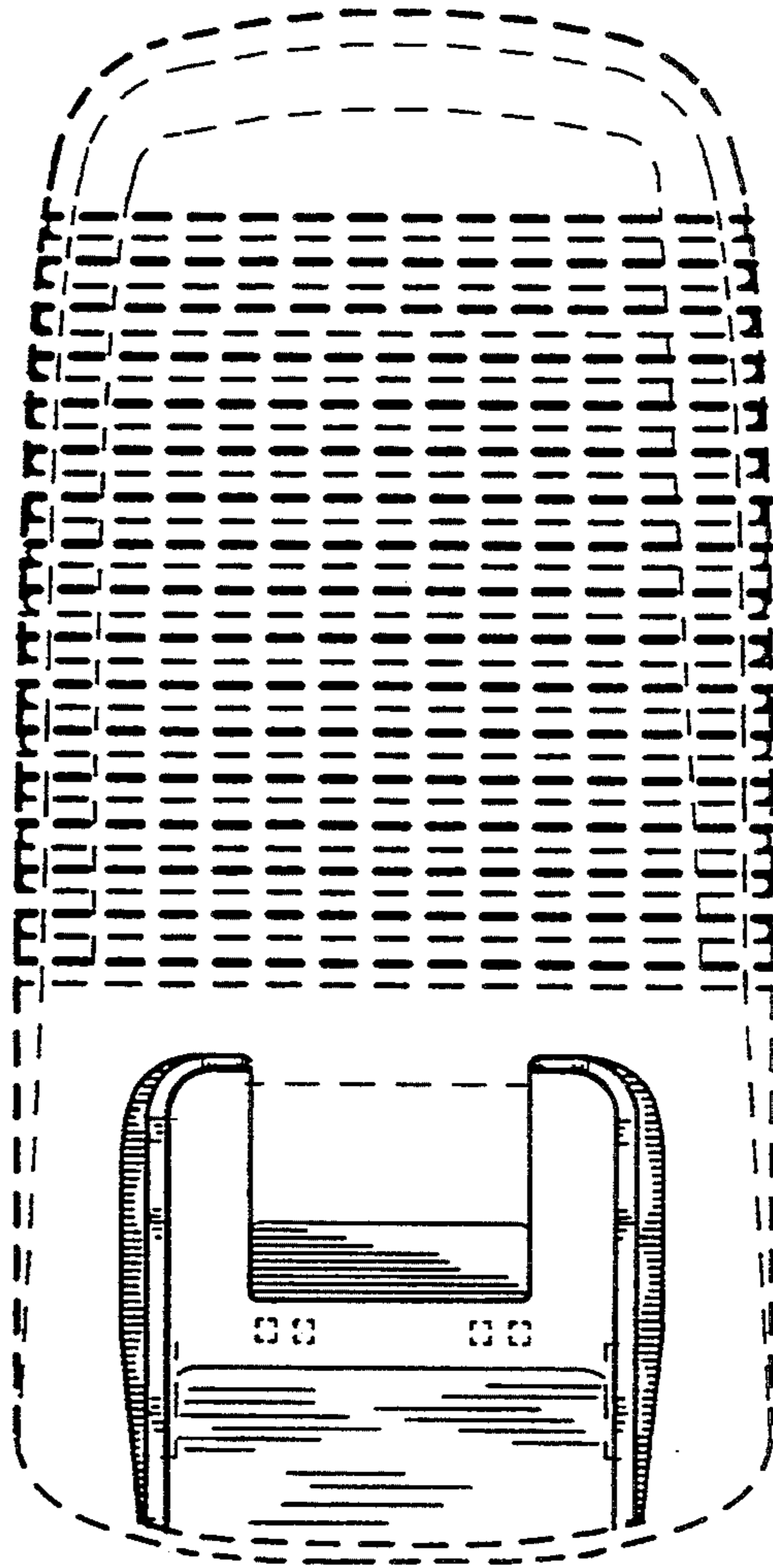
The ornamental design for an insert portion of a battery charger for a portable radio, as shown and described.

**DESCRIPTION**

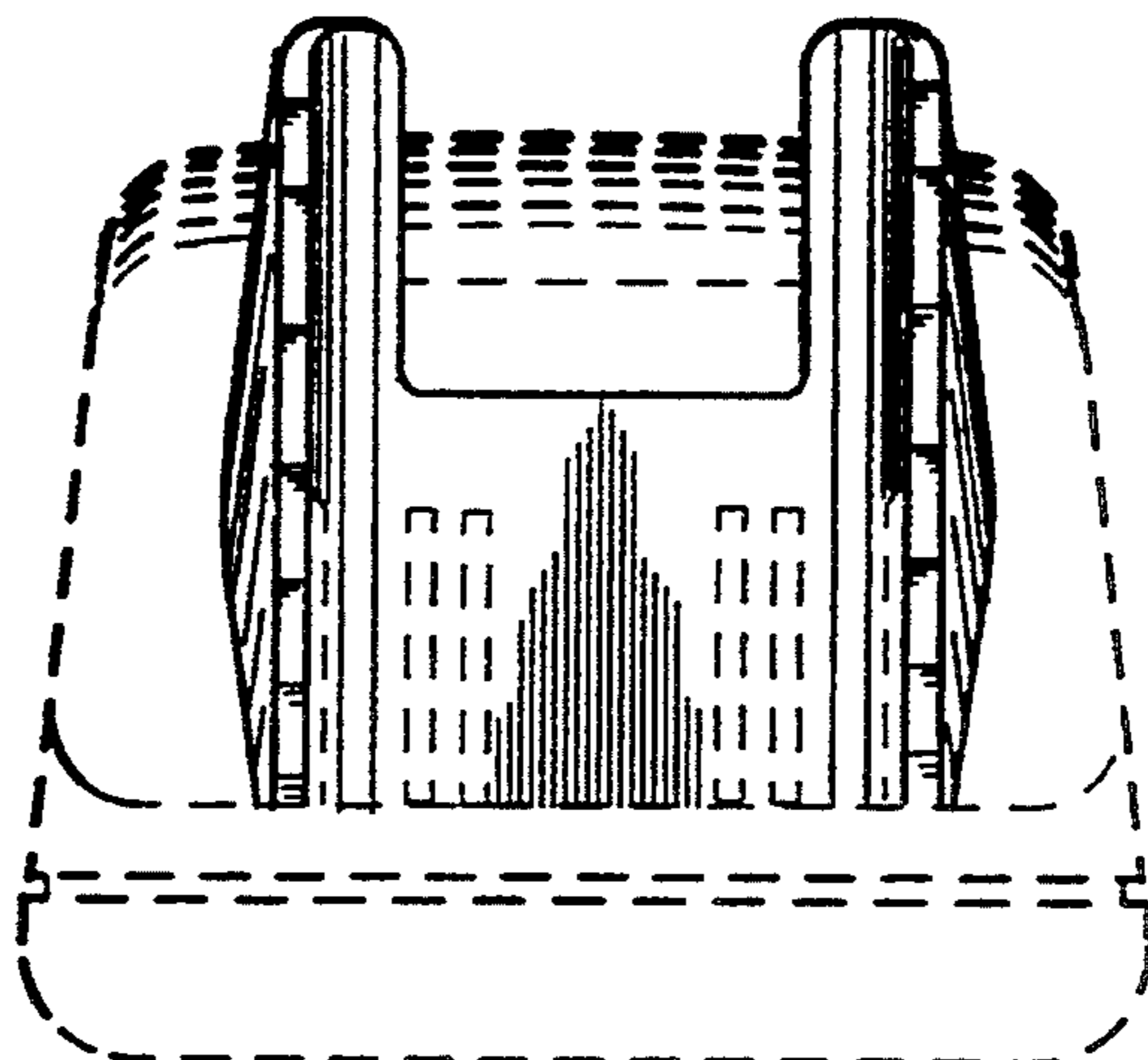
FIG. 1 is a top plan view of a first embodiment of an insert portion of a battery charger for a portable radio showing our new design; FIG. 2 is a front elevational view thereof; FIG. 3 is a left side elevational view thereof; FIG. 4 is a right side elevational view thereof; FIG. 5 is a rear elevational view thereof; and, FIG. 6 is a front and upper right perspective view thereof.



*FIG. 1*

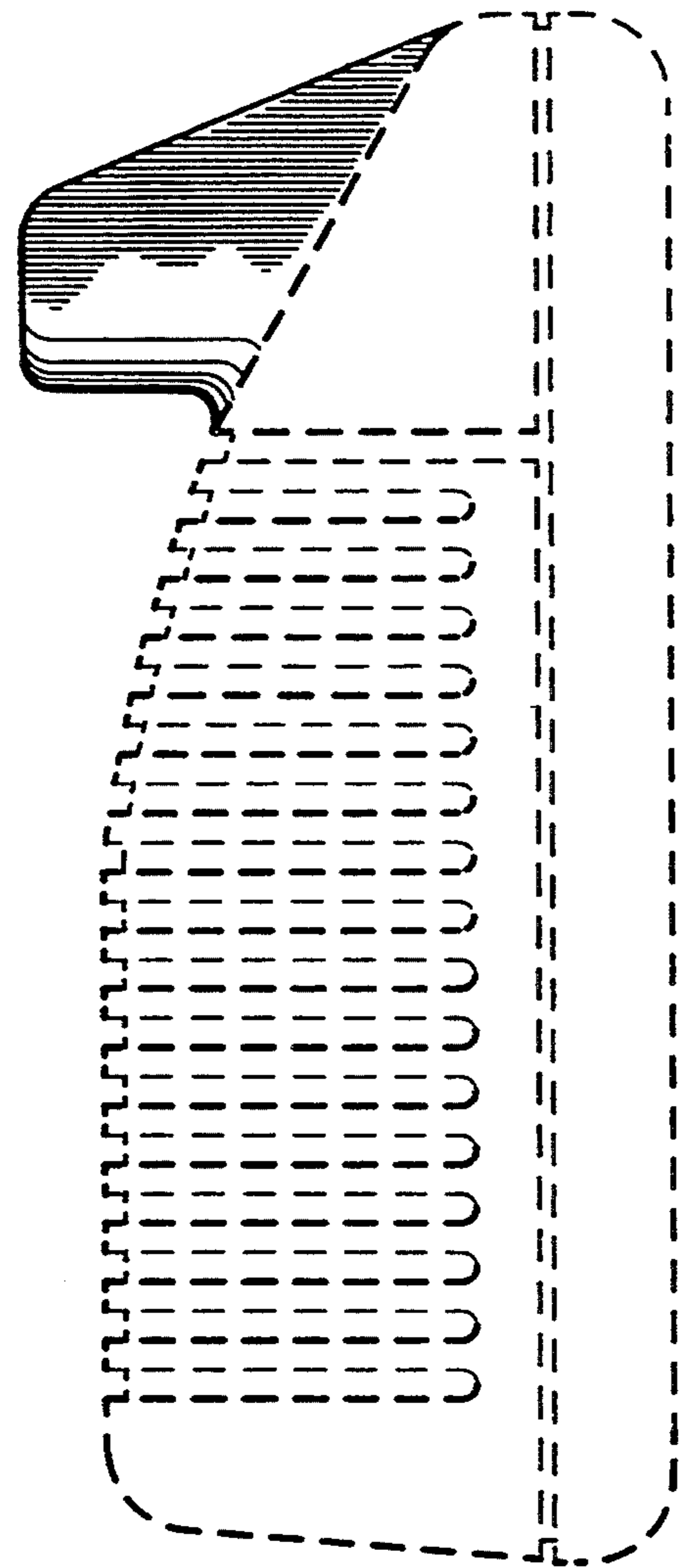


*FIG. 2*

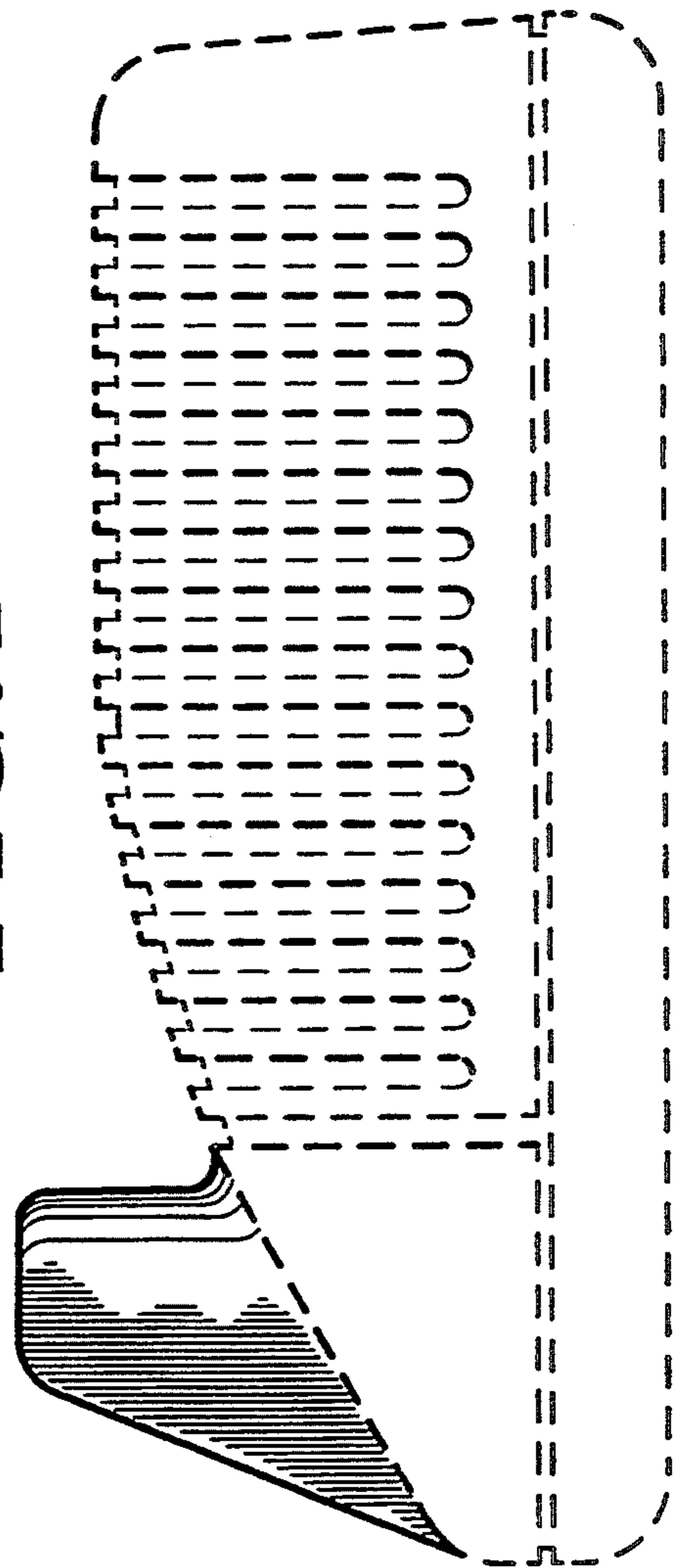




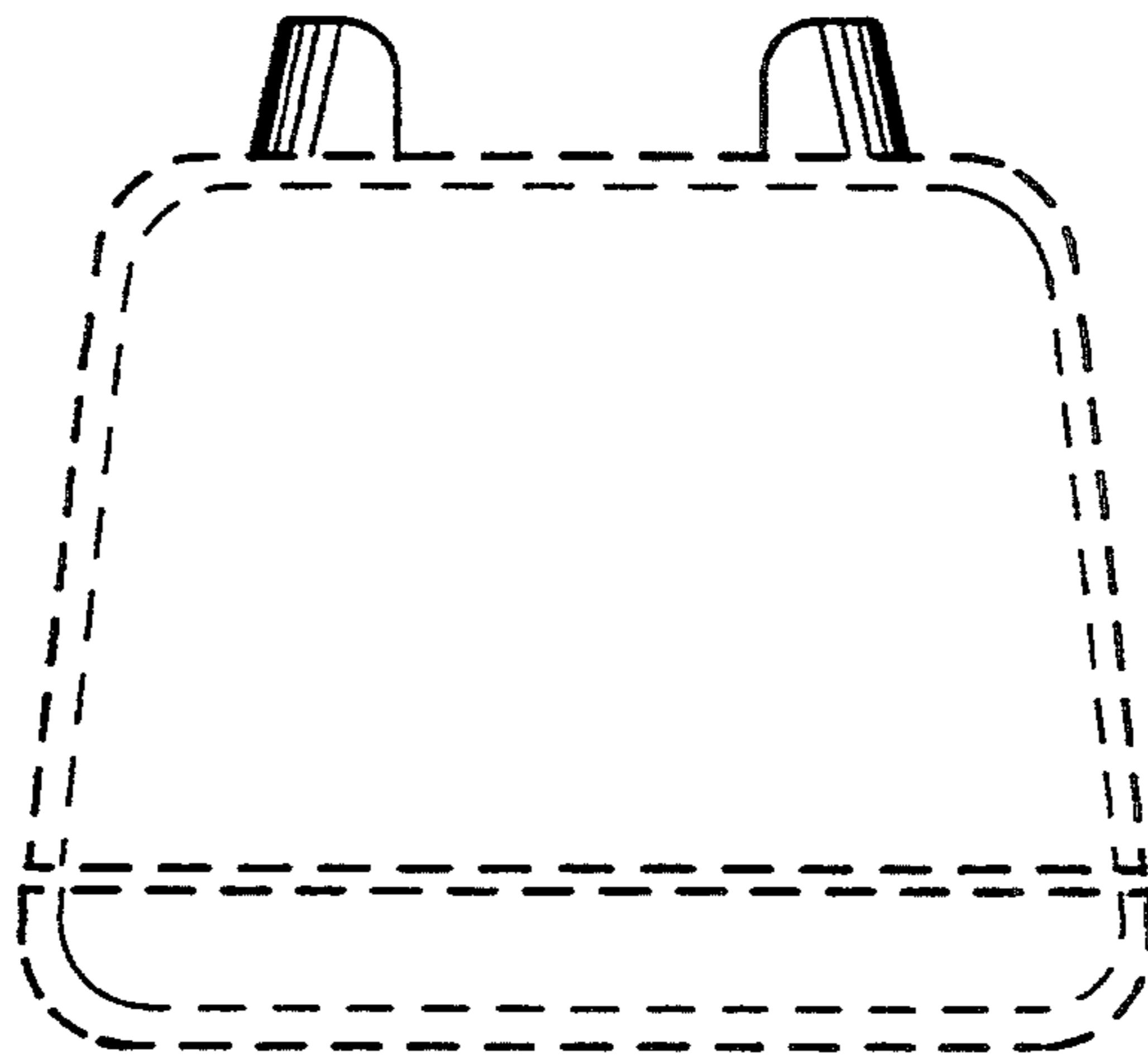
*FIG. 3*



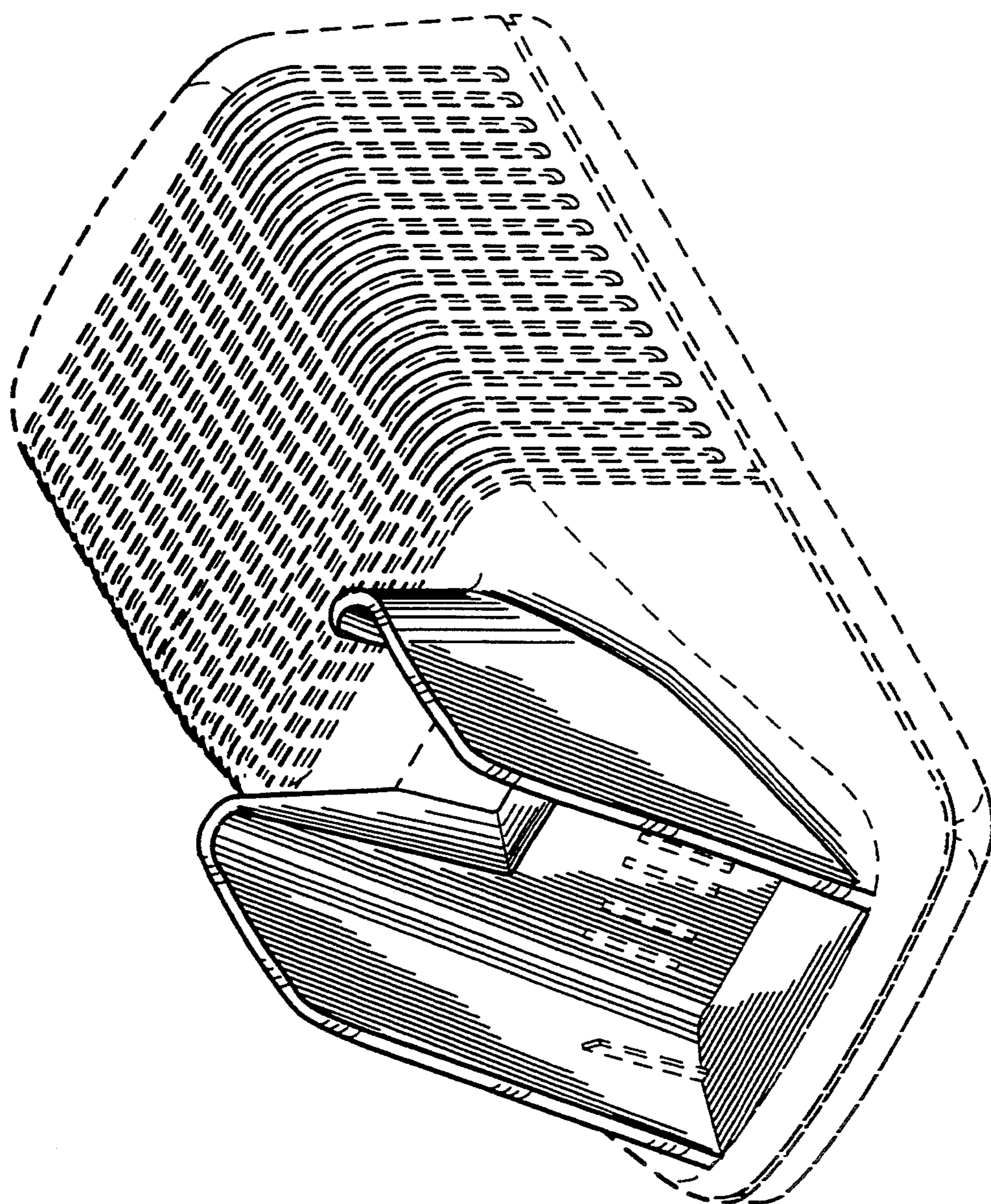
*FIG. 4*



*FIG. 5*



*FIG. 6*



UNITED STATES PATENT AND TRADEMARK OFFICE  
**CERTIFICATE OF CORRECTION**

PATENT NO. : Des. 358,579

DATED : May 23, 1995

INVENTOR(S) : Richards, et. al.

It is certified that error appears in the above-identified patent and that said Letters Patent is hereby corrected as shown below:

Column 2, in the Description of FIG. 1, line 1, delete "a first embodiment of".

Column 2, in the Description of FIG. 1, line 3, delete "for a portable radio".

Column 2, in the Description of FIG. 6, after "thereof" insert the following paragraph:

-- The broken line showing throughout the drawing figures is included for the purpose of illustrating environmental structure only and forms no part of the claimed design.--

Signed and Sealed this  
Seventeenth Day of October, 1995

*Attest:*



BRUCE LEHMAN

*Attesting Officer*

*Commissioner of Patents and Trademarks*