



US00D358567S

# United States Patent [19]

[11] Patent Number: **Des. 358,567**

**Sirois**

[45] Date of Patent: **\*\* May 23, 1995**

[54] **HOCKEY GARTER**

2,014,330	9/1935	Hicks .....	D11/218
2,627,639	2/1953	Eilertsen .....	D11/200
2,781,569	2/1957	Eilersten .....	D11/220

[75] Inventor: **William A. Sirois**, Springfield, Mass.

[73] Assignee: **Reliable Hockey Service, Inc.**,  
Springfield, Mass.

*Primary Examiner*—Ralf T. Seifert  
*Attorney, Agent, or Firm*—Richard H. Kosakowski

[\*\*] Term: **14 Years**

[57] **CLAIM**

[21] Appl. No.: **15,517**

The ornamental design for a hockey garter, as shown and described.

[22] Filed: **Nov. 19, 1993**

**DESCRIPTION**

[52] U.S. Cl. .... **D11/212**

[58] Field of Search ..... D11/200, 212-218,  
D11/220; D2/625, 626; 24/72.5, 455, 532

FIG. 1 is a top perspective view of a garter for holding up a sock worn by a hockey player, showing my new design;

FIG. 2 is a bottom perspective view of the hockey garter of FIG. 1;

FIG. 3 is a side elevational view thereof as viewed from either a left or right side edge of the hockey garter;

FIG. 4 is a side elevational view thereof as viewed from the top side edge of the hockey garter; and,

FIG. 5 is a side elevational view thereof as viewed from the bottom side edge of the hockey garter.

[56] **References Cited**

**U.S. PATENT DOCUMENTS**

55,219	5/1920	Warner et al. ....	D11/212
D. 171,440	2/1954	Chisholm .....	D11/212
D. 172,034	4/1954	Kirkman .....	D11/212
D. 188,759	9/1960	Sobel .....	D11/212
1,068,620	7/1913	Ziegler .....	24/455

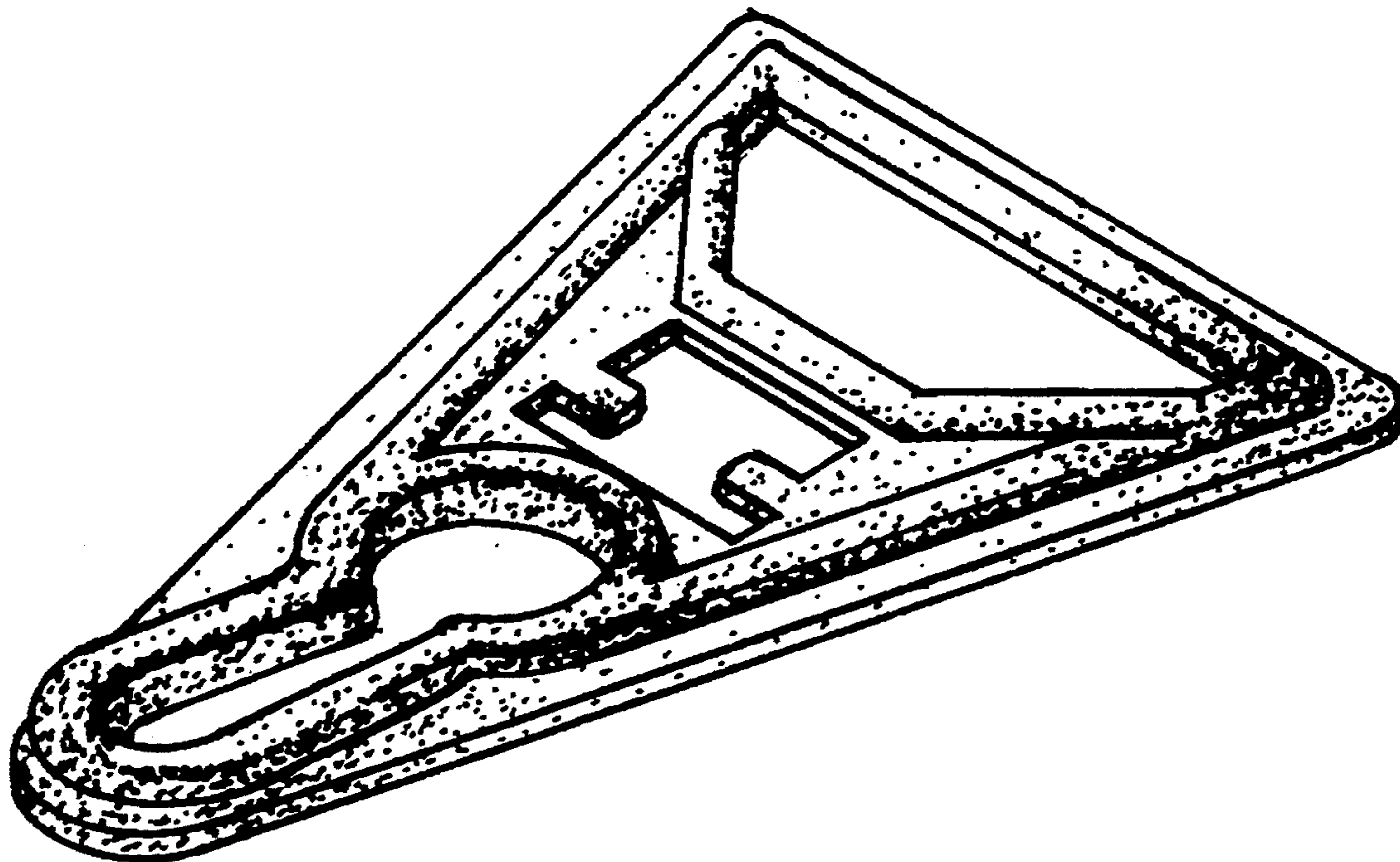


Fig. 1.

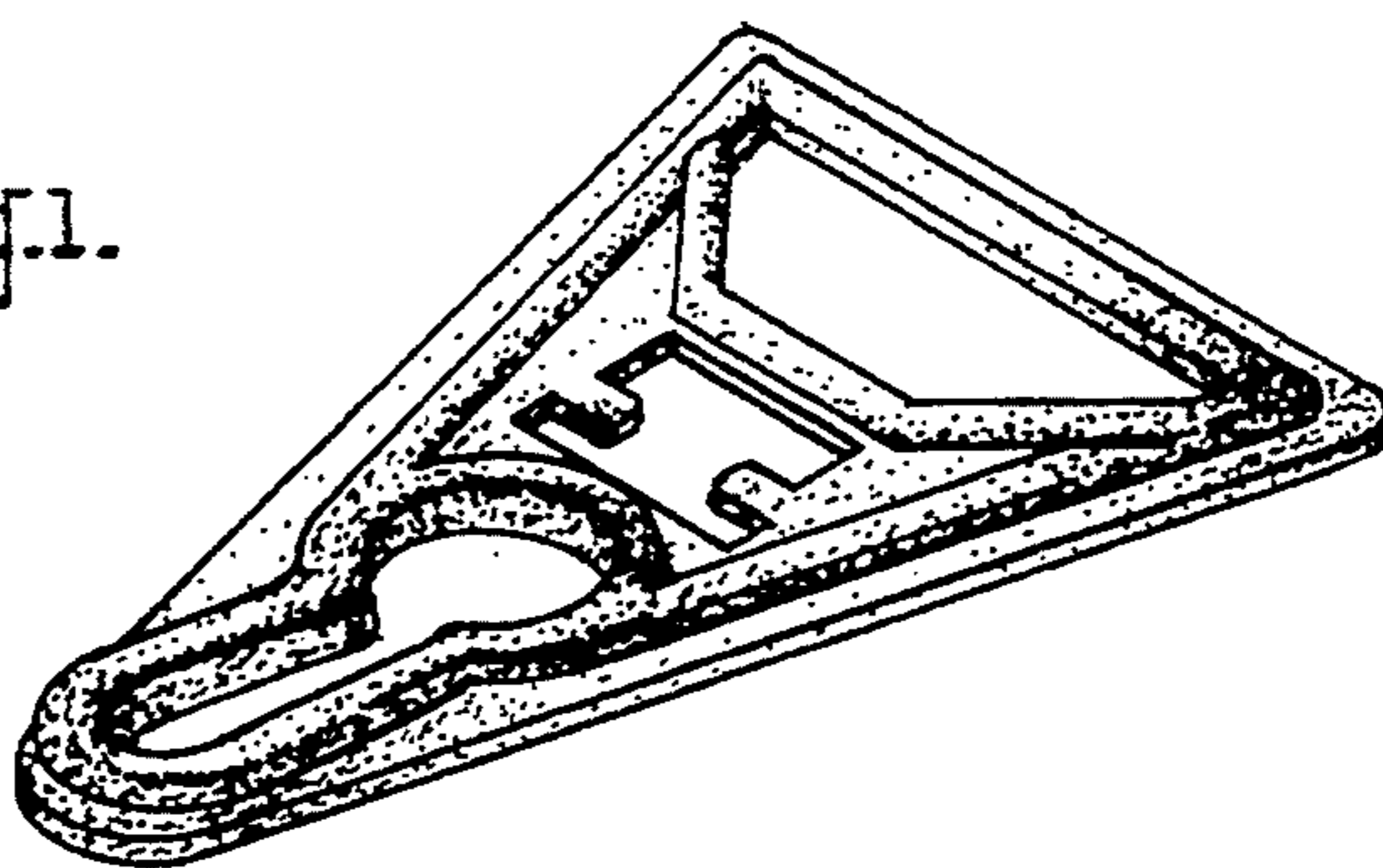


Fig. 2.

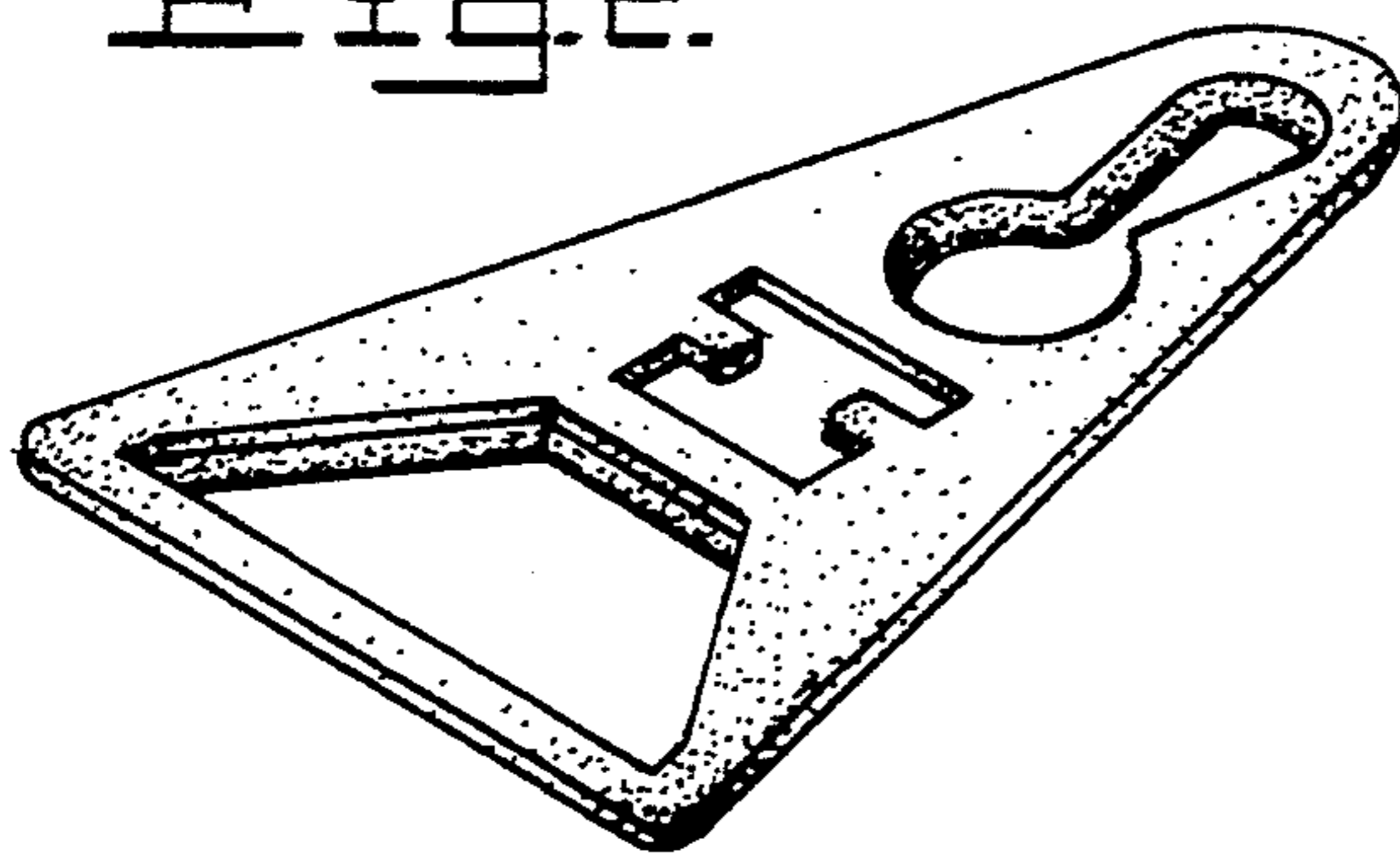


Fig. 3.

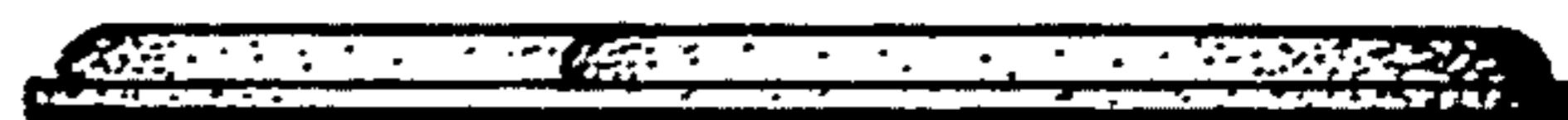


Fig. 4.



Fig. 5.

