



US00D358563S

United States Patent [19]
Opheim

[11] **Patent Number: Des. 358,563**
[45] **Date of Patent: ** May 23, 1995**

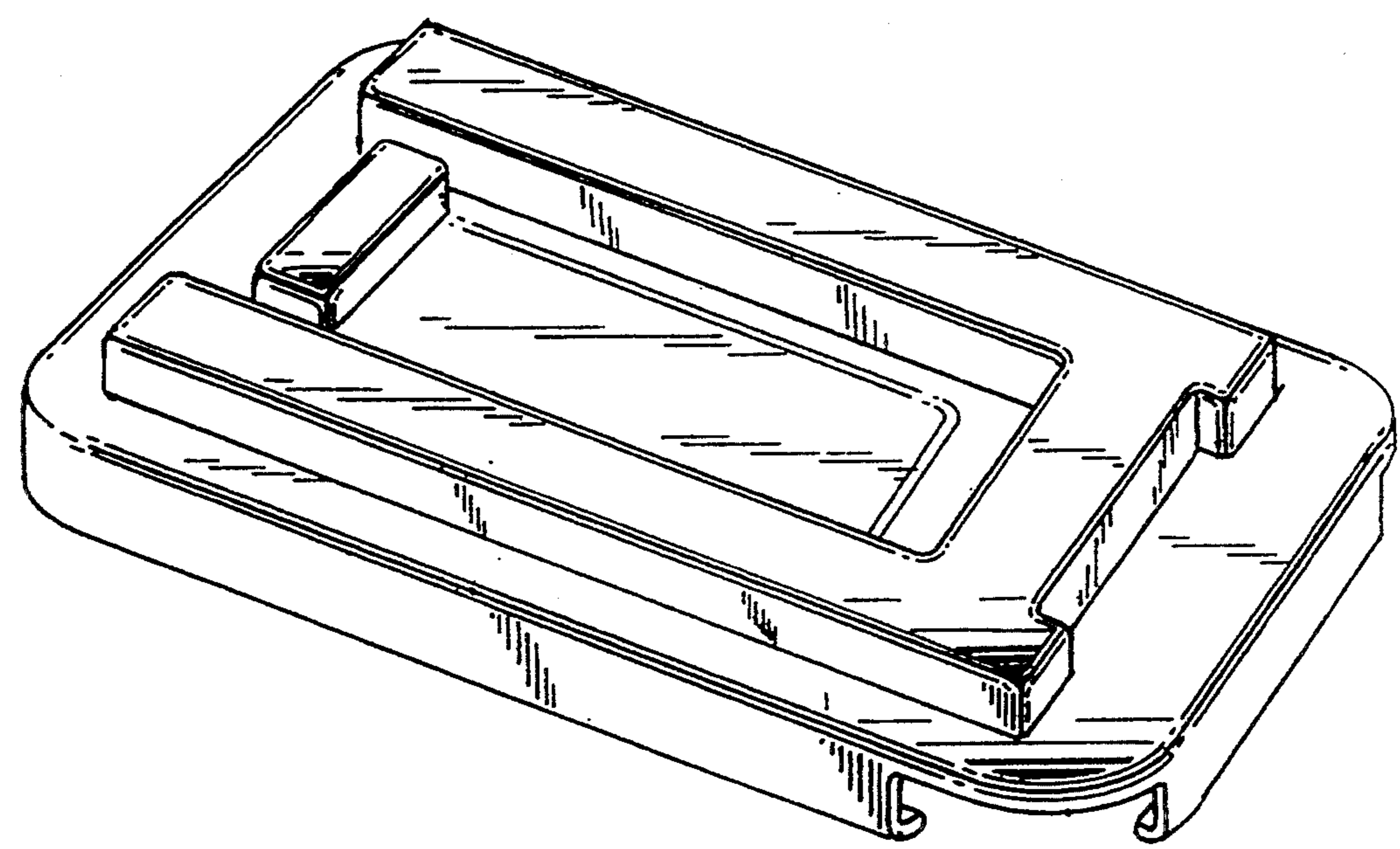
[54] **SLIDE LID FOR A PLANTER**
[75] **Inventor: Dale C. Opheim, Graettinger, Iowa**
[73] **Assignee: May-Wes Manufacturing, Inc., Gibbons, Minn.**
[**] **Term: 14 Years**
[21] **Appl. No.: 21,470**
[22] **Filed: Apr. 18, 1994**
[52] **U.S. Cl. D11/143; D11/144**
[58] **Field of Search D9/341, 434, 435, 456; D11/143, 144, 155, 156, 164; 47/1.01, 26, 26 IF, 26 F, 27 C, 28.1, 28.1 RC, 28.1 C, 28.1 R, 29, 30, 30 OT, 31, 32, 32.1**

[56] **References Cited**
U.S. PATENT DOCUMENTS
D. 239,307 3/1976 Sawyer D11/156 X
D. 334,728 4/1993 Ishiyama et al. D11/155
2,722,778 11/1955 Carufel D11/156 X
3,082,575 3/1963 Schulz D11/144 X
3,979,016 9/1976 Frater D9/435 X

Primary Examiner—A. Hugo Word
Assistant Examiner—Monica A. Hannon
Attorney, Agent, or Firm—L. Paul Burd; Richard O. Bartz; Robert W. Gutenkauf

[57] **CLAIM**
The ornamental design for a slide lid for a planter, as shown and described.

DESCRIPTION
FIG. 1 is a perspective view of the slide lid for a planter of my new design;
FIG. 2 is a top plan view thereof;
FIG. 3 is a bottom plan view thereof;
FIG. 4 is a front elevational view thereof, the opposite rear elevational view being a mirror image thereof;
FIG. 5 is an end elevational view of the left end thereof;
FIG. 6 is an end elevational view of the right end thereof;
FIG. 7 is a sectional view taken along the line 7—7 of FIG. 2;
FIG. 8 is a perspective view of a modification of the slide lid for a planter of my new design;
FIG. 9 is a top plan view of FIG. 8;
FIG. 10 is a bottom plan view of FIG. 8;
FIG. 11 is a front elevational view of FIG. 8;
FIG. 12 is a rear elevational view of FIG. 8;
FIG. 13 is an end elevational view of the left end of FIG. 8;
FIG. 14 is an end elevational view of the right end of FIG. 8;
FIG. 15 is a sectional view taken along the line 15—15 of FIG. 9; and,
FIG. 16 is a sectional view taken along the line 16—16 of FIG. 9.



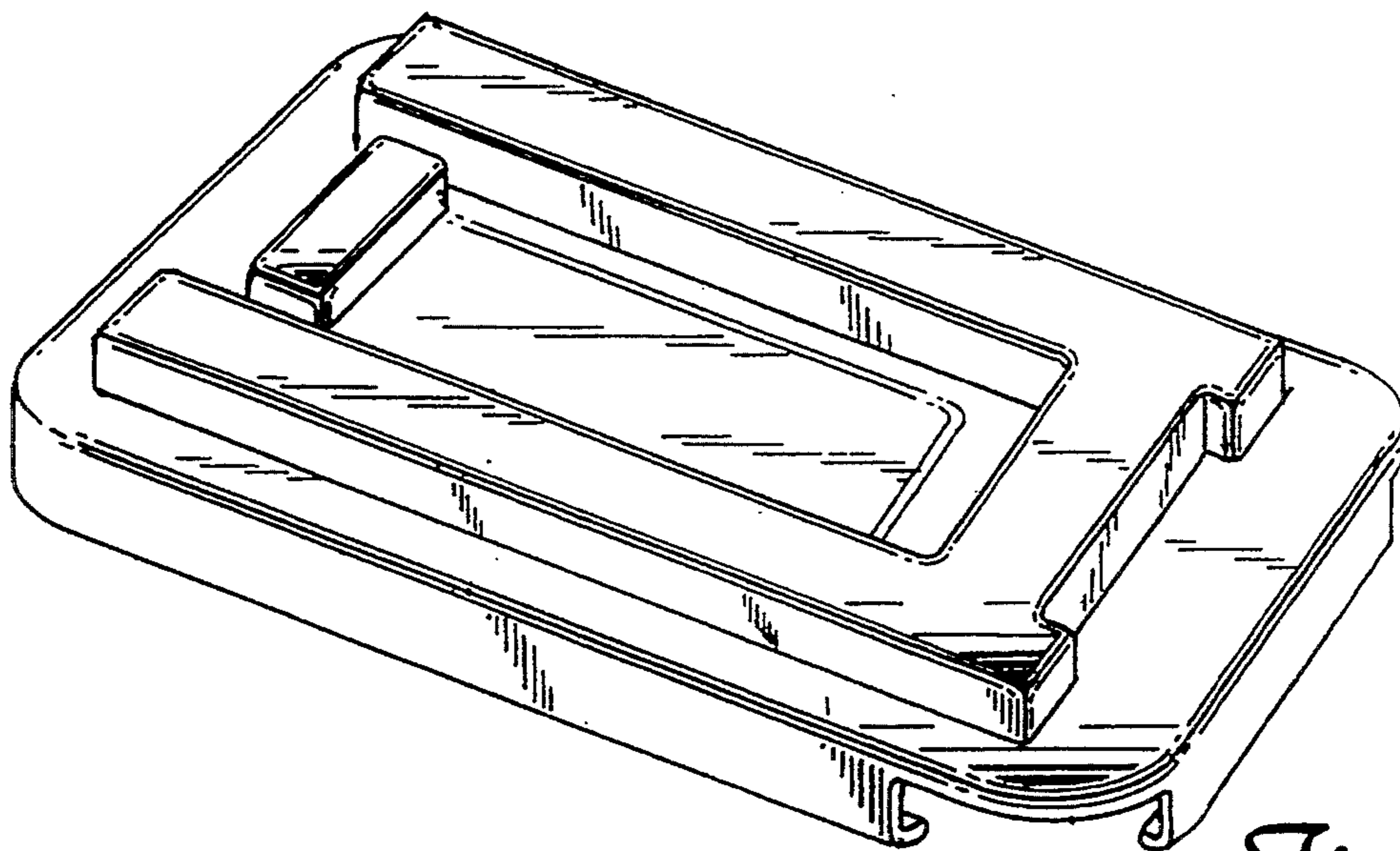


Fig. 1

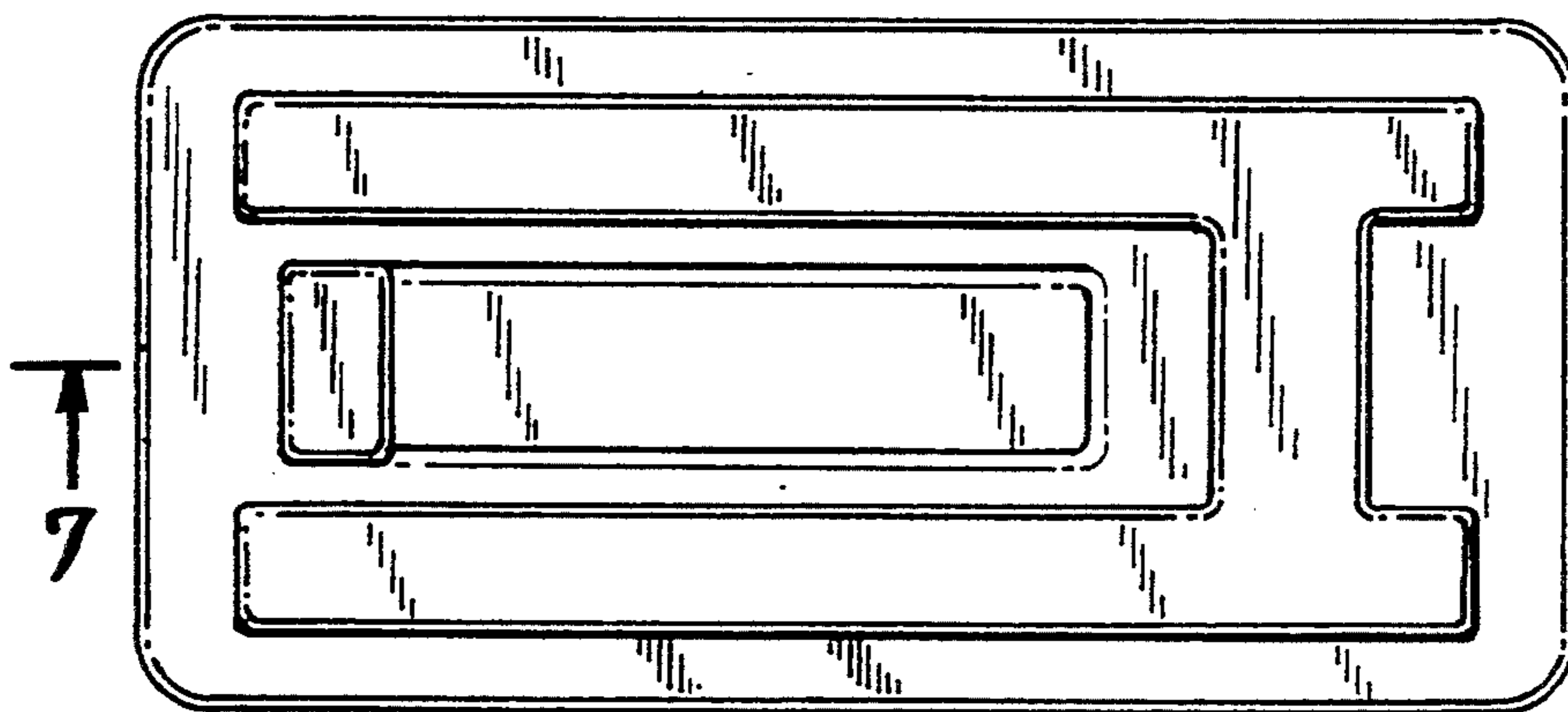


Fig. 2

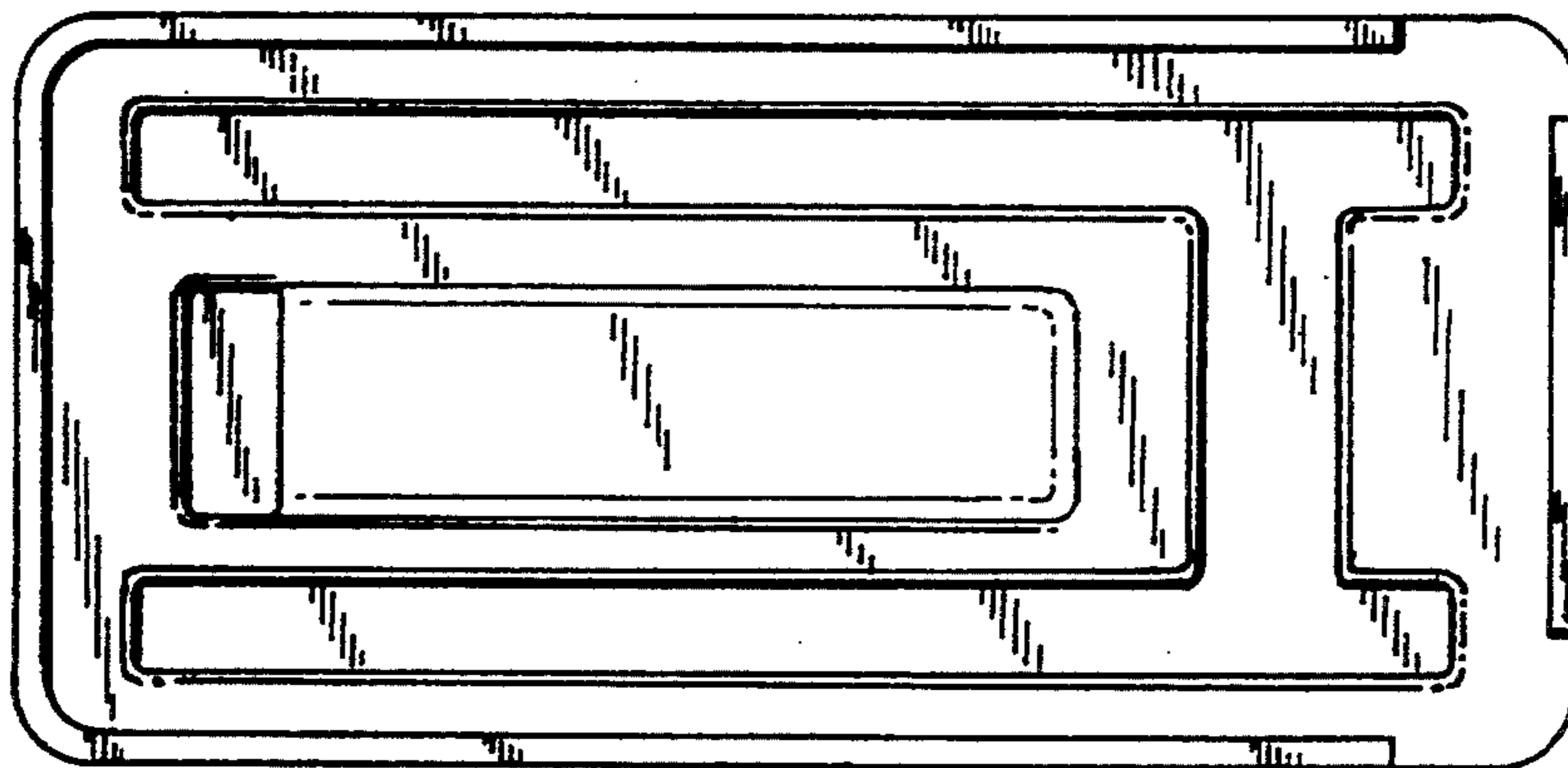


Fig. 3

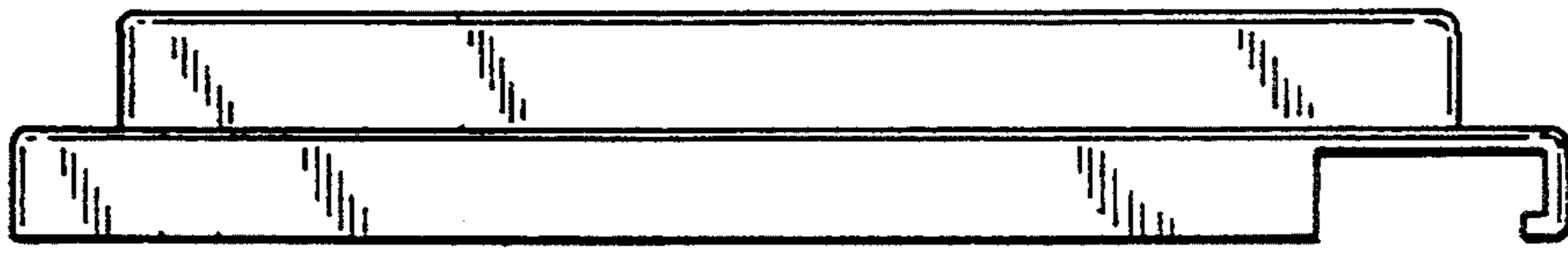


Fig. 4

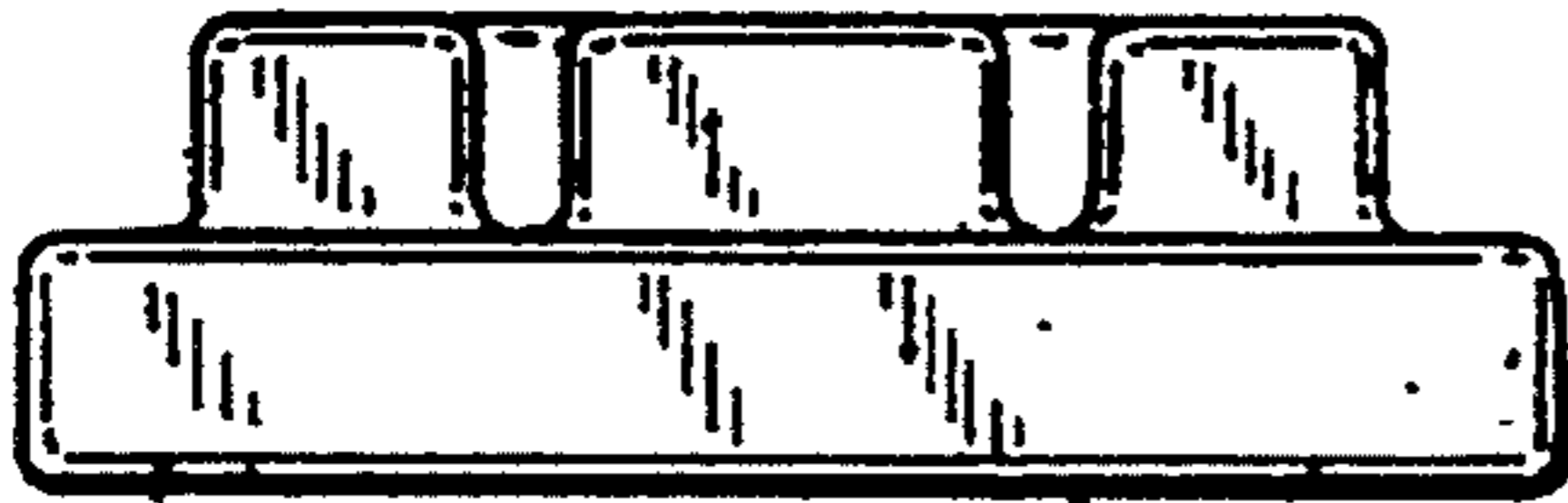


Fig. 5

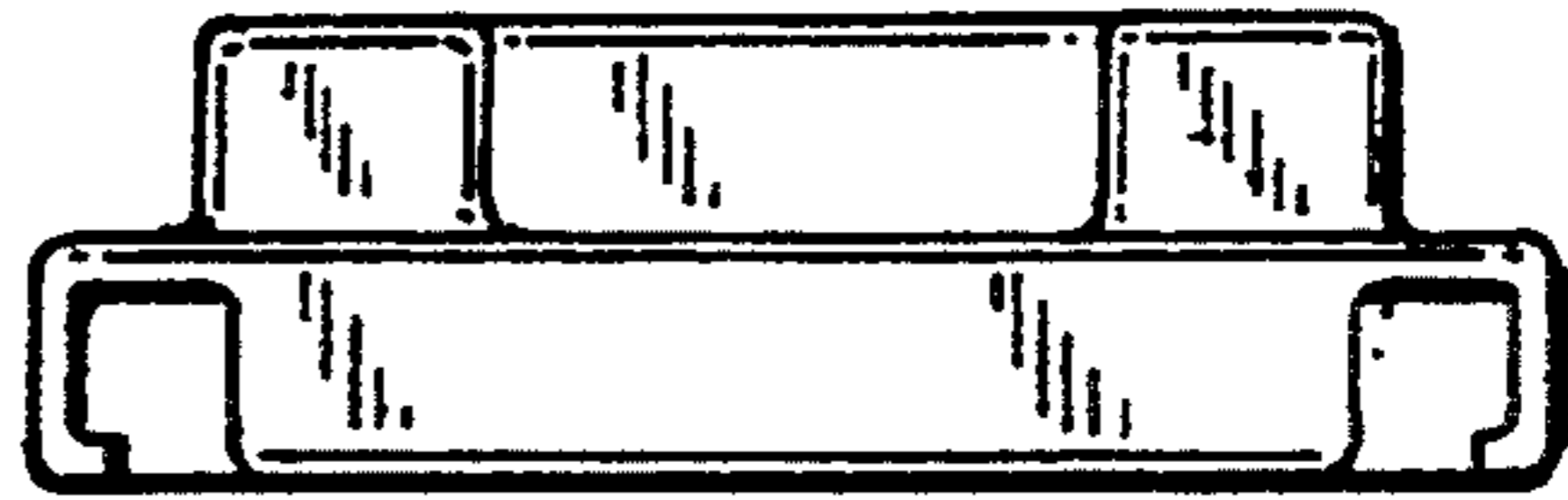


Fig. 6

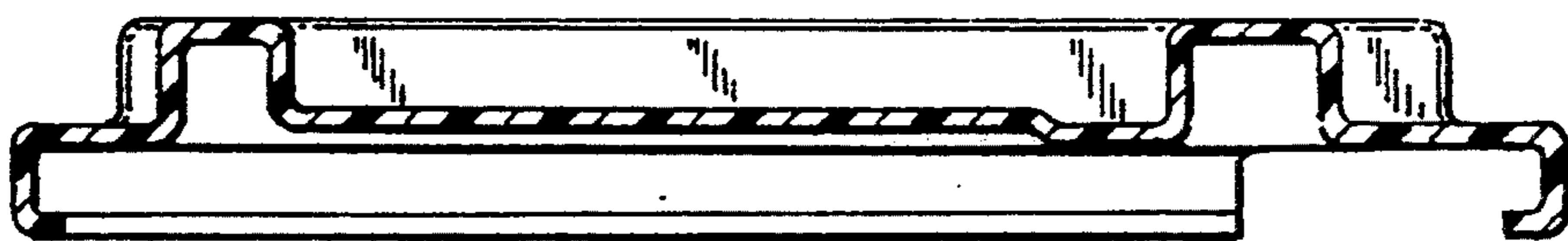


Fig. 7

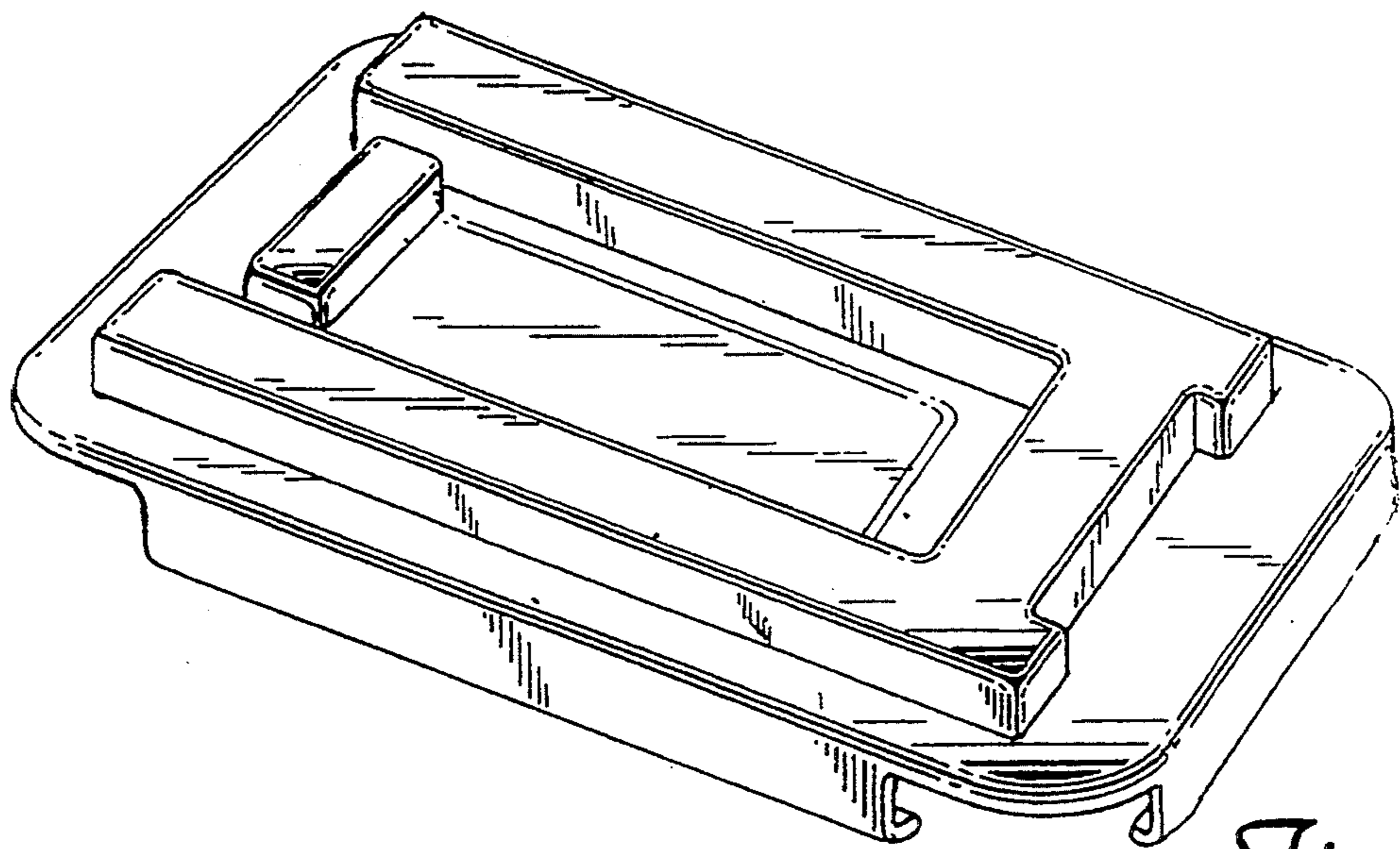


Fig. 8

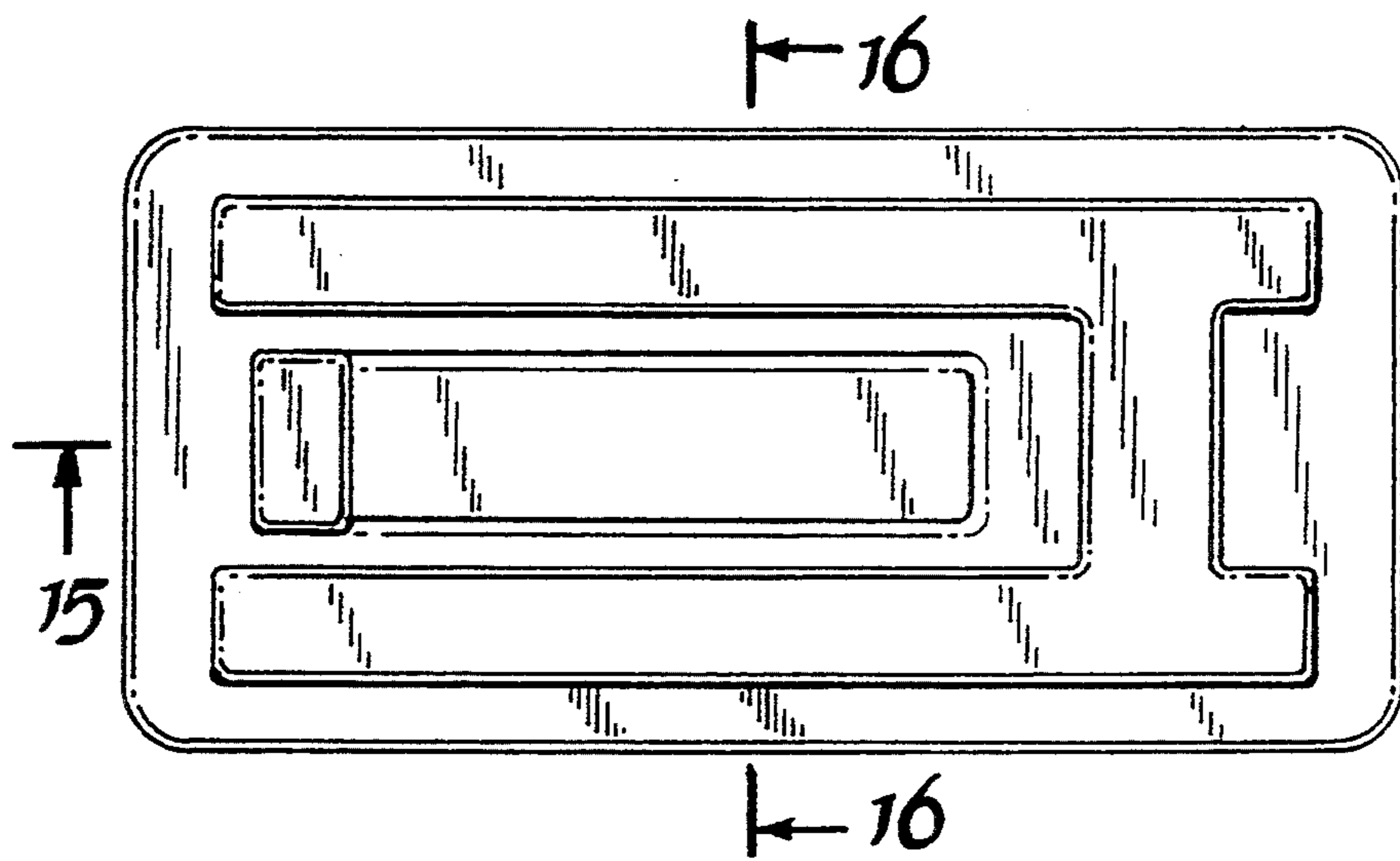


Fig. 9

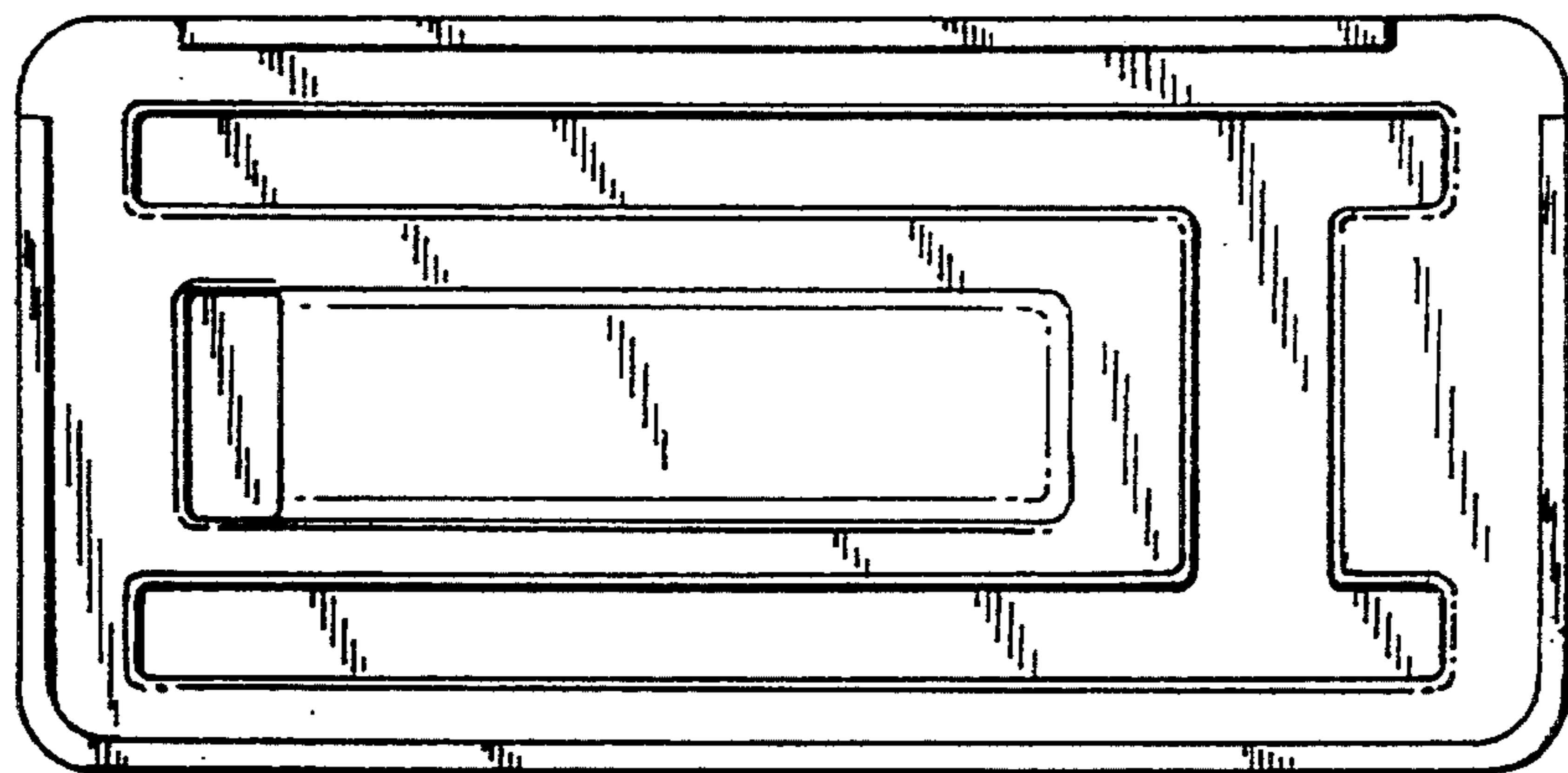


Fig. 10

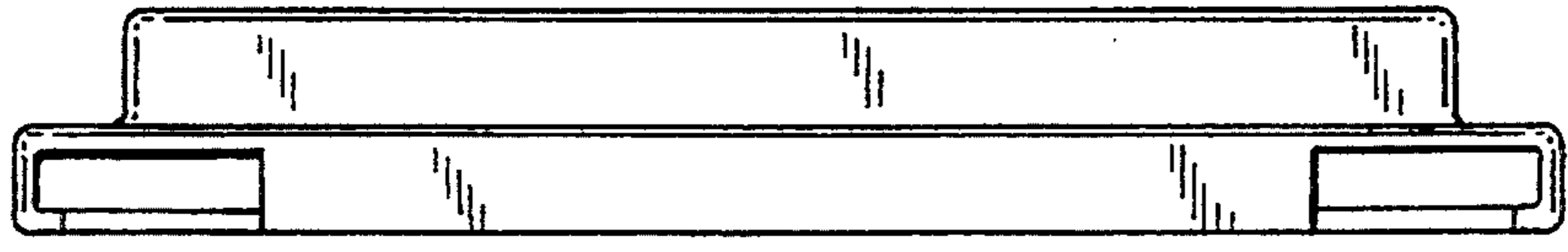


Fig. 11

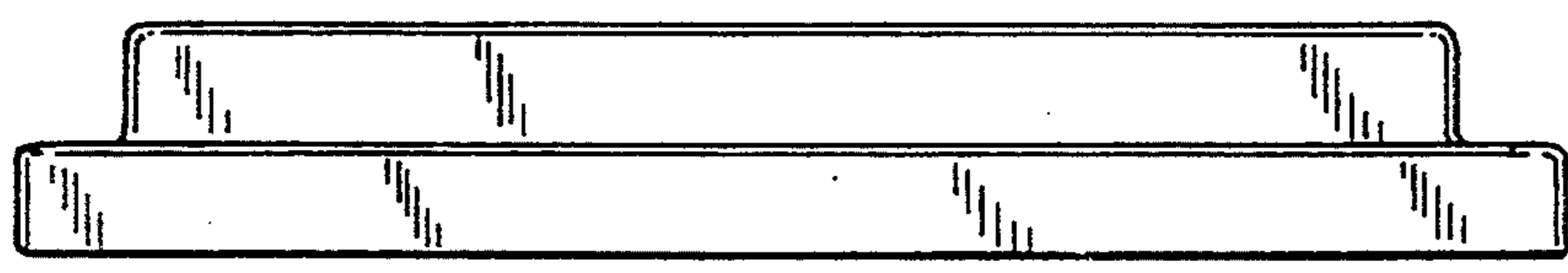


Fig. 12

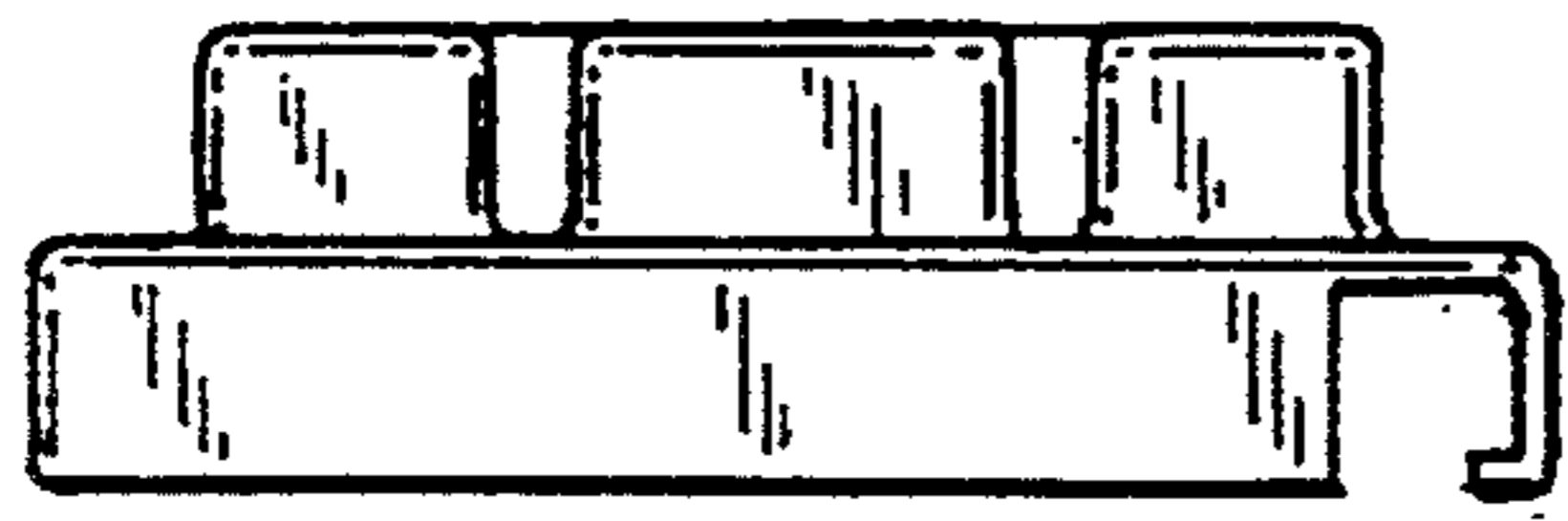


Fig. 13

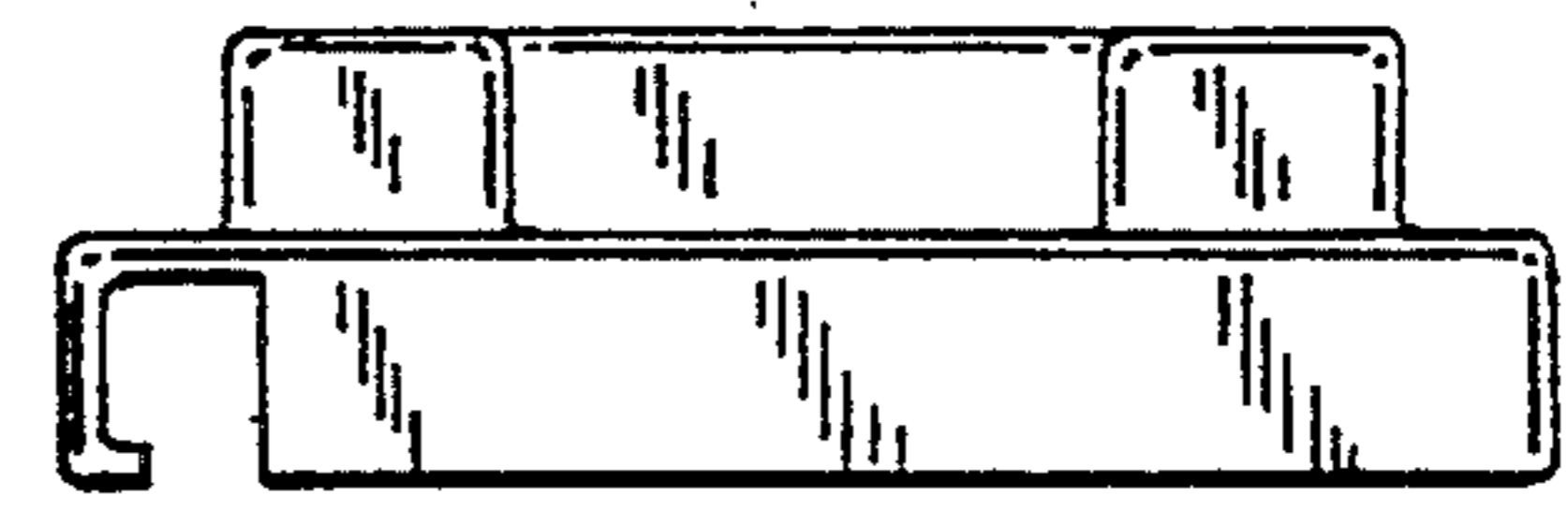


Fig. 14

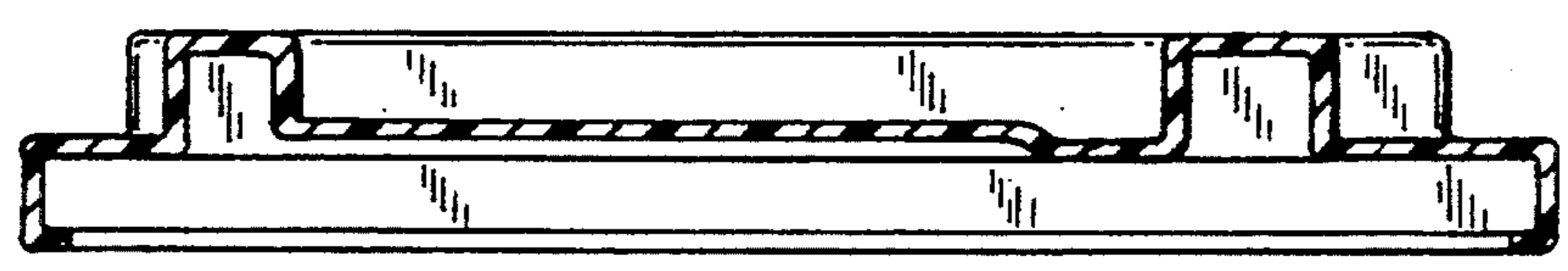


Fig. 15

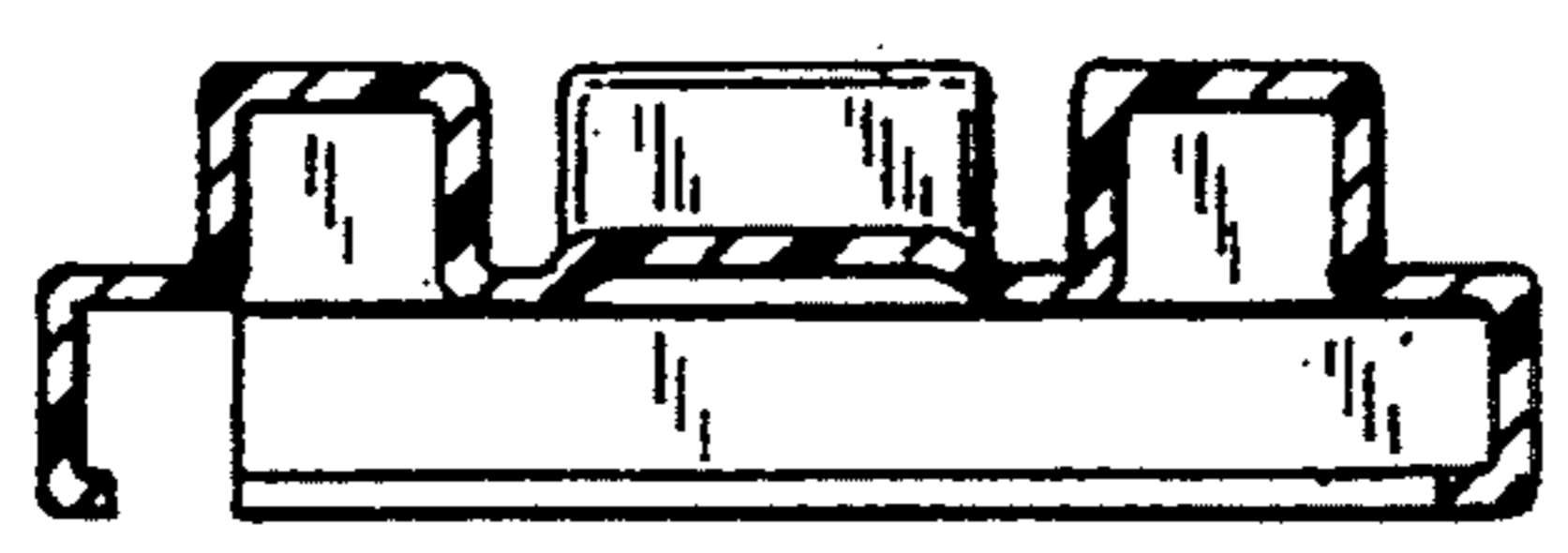


Fig. 16