



US00D358545S

United States Patent [19]

[11] Patent Number: **Des. 358,545**

Price

[45] Date of Patent: **** May 23, 1995**

[54] **SPACER FOR CABLES**

D. 308,011 5/1990 Norris D8/356
3,027,494 3/1962 Rayburn 174/153 G

[75] Inventor: **George E. Price**, Glendora, Calif.

Primary Examiner—Wallace R. Burke
Assistant Examiner—H. Baynham
Attorney, Agent, or Firm—Pretty, Schroeder,
Brueggemann & Clark

[73] Assignee: **MAG Aerospace Industries, Inc.**, Los Angeles, Calif.

[**] Term: **14 Years**

[57] **CLAIM**

[21] Appl. No.: **10,390**

The ornamental design for a spacer for cables, as shown and described.

[22] Filed: **Jul. 6, 1993**

[52] U.S. Cl. **D8/356**

DESCRIPTION

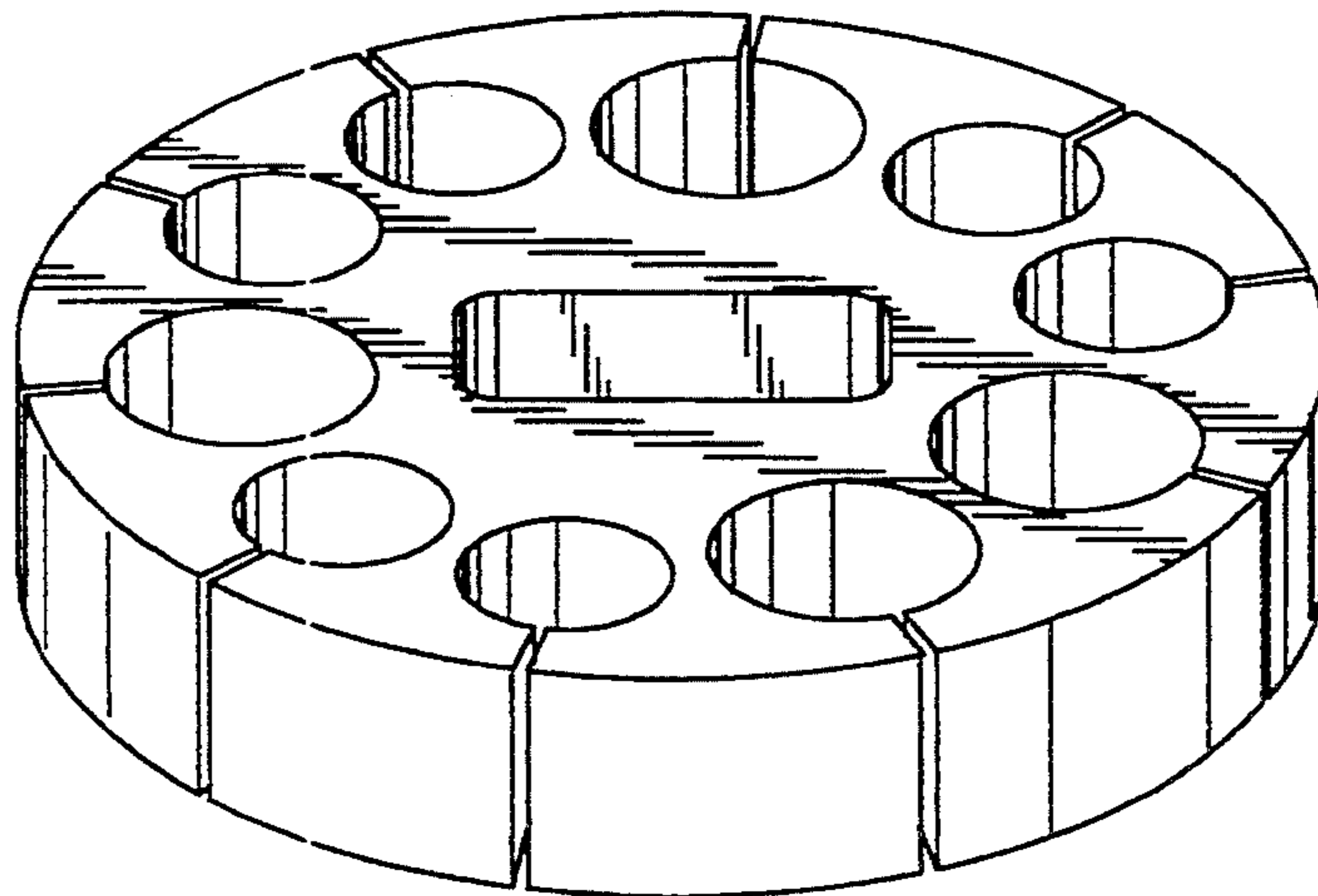
[58] Field of Search D8/354, 356; 24/30.5;
248/56; 174/153 G

FIG. 1 is a perspective view of a spacer for cables and wires showing my new design;
FIG. 2 is a top plan view thereof;
FIG. 3 is a bottom plan view thereof; and,
FIG. 4 is an elevational view thereof with the opposite sides being mirror images.

[56] **References Cited**

U.S. PATENT DOCUMENTS

D. 227,528 7/1973 Wahl D8/382



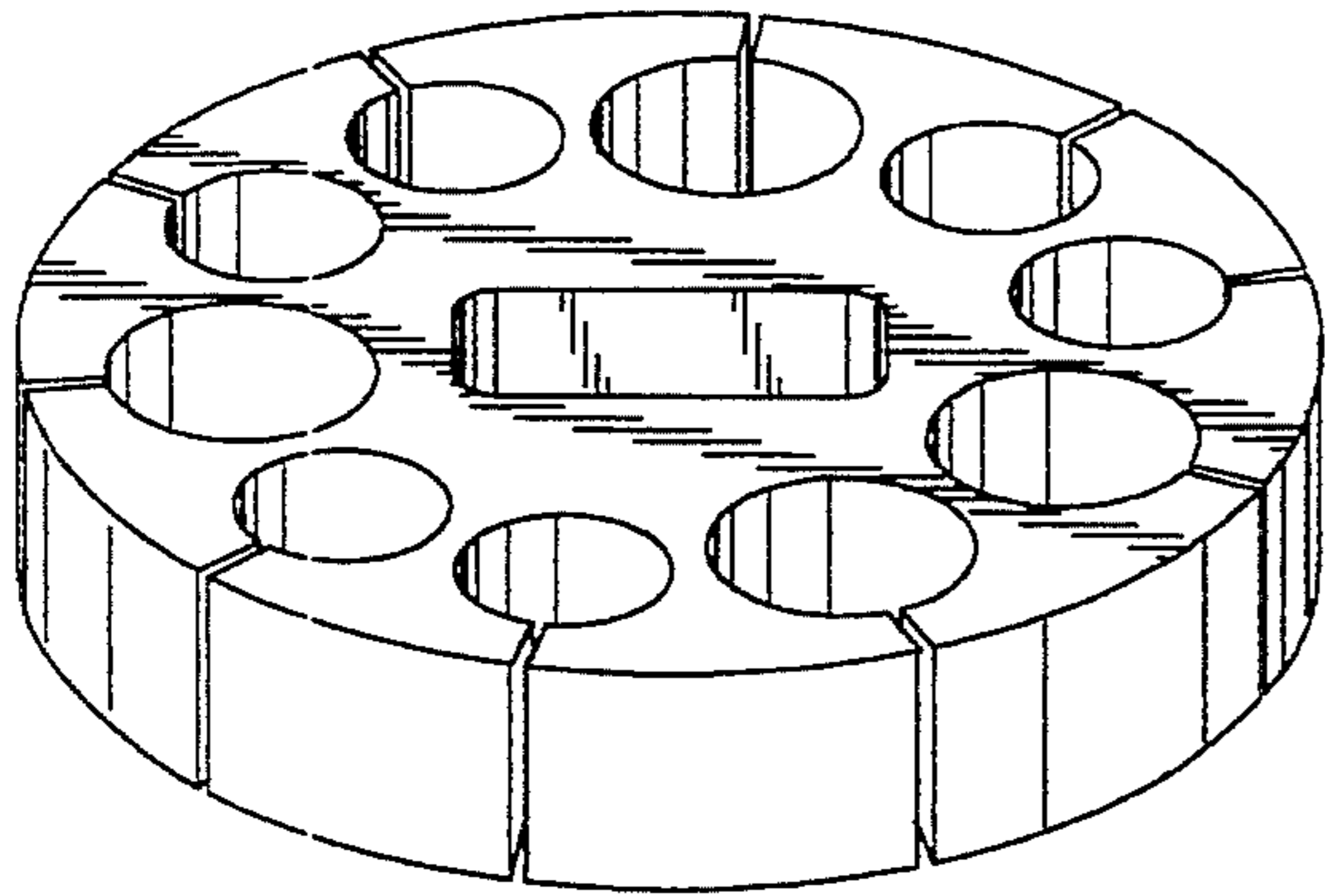


FIG. 1

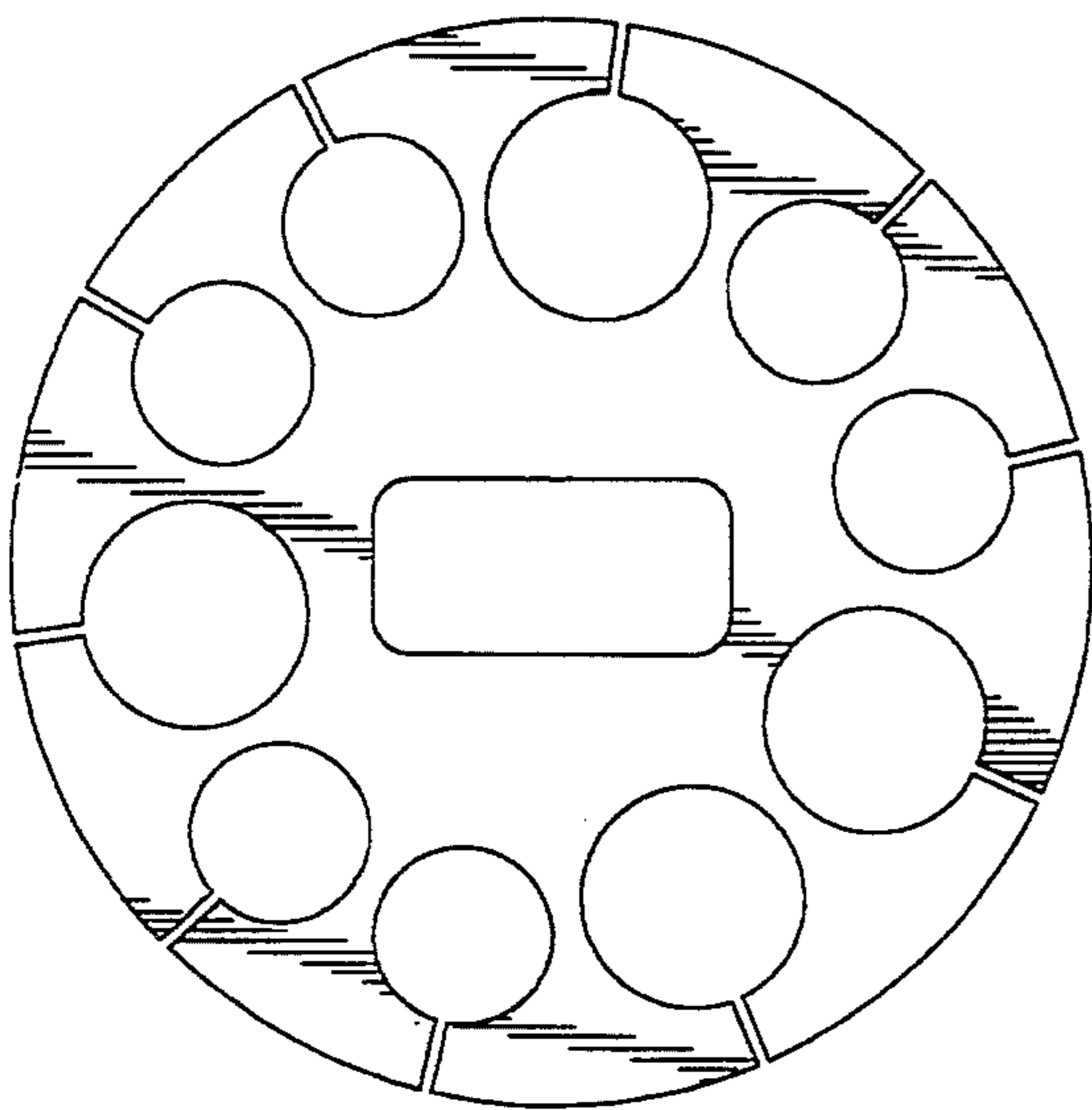


FIG. 2

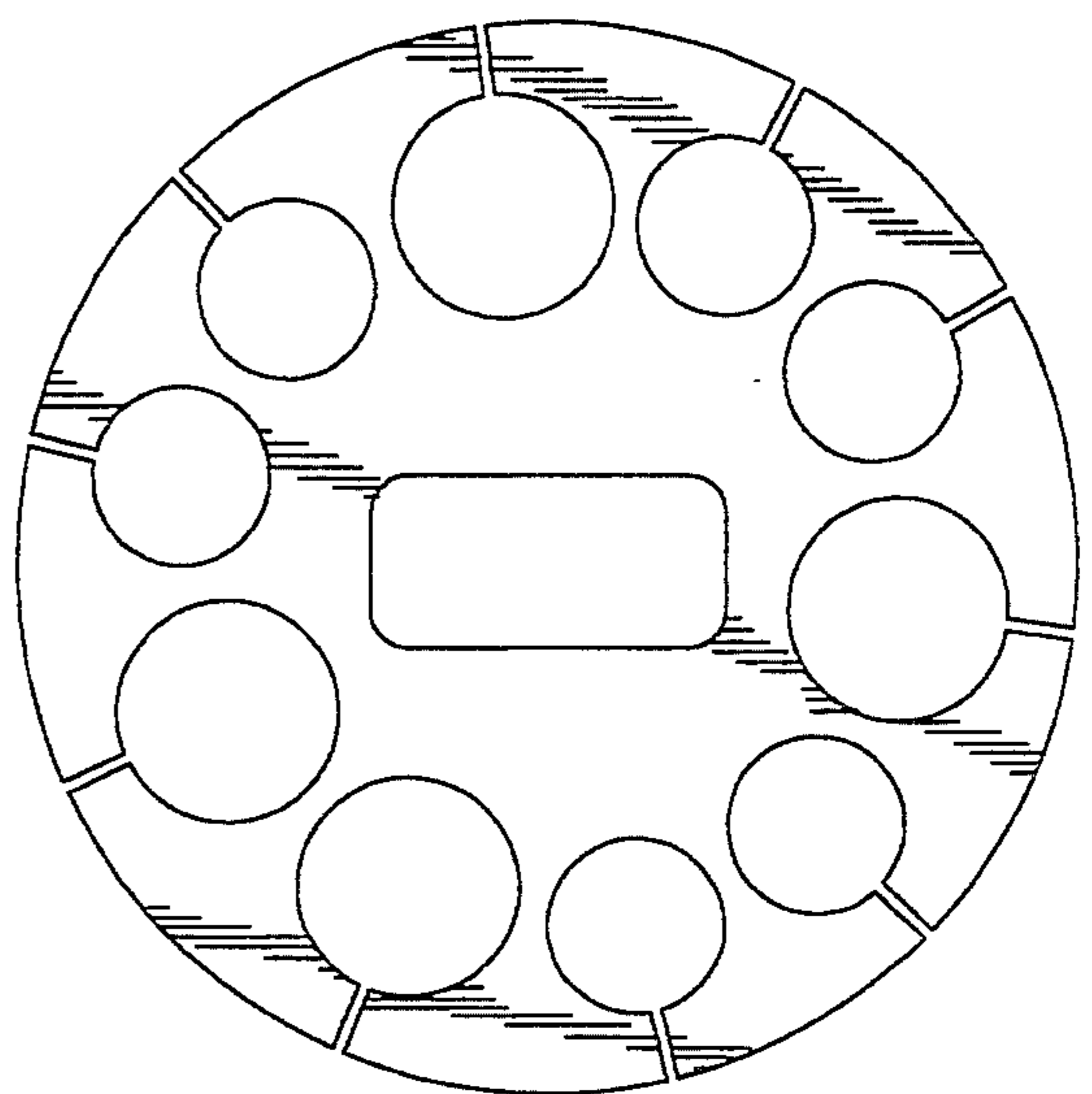


FIG. 3

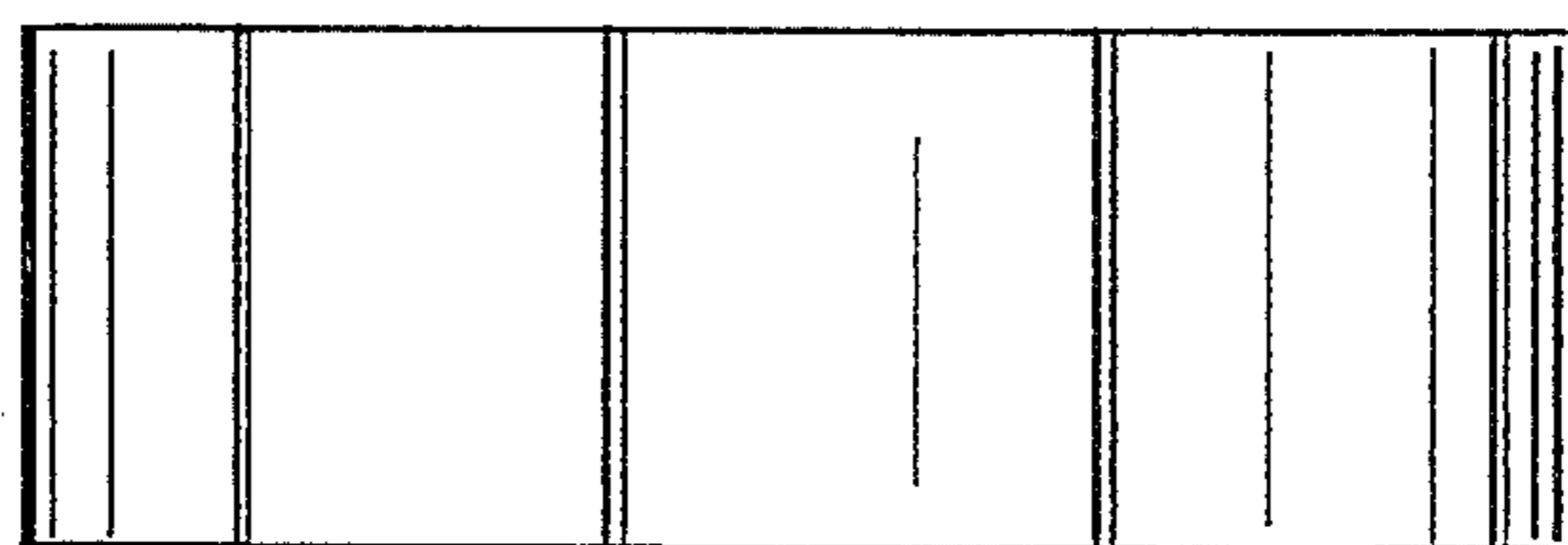


FIG. 4