



US00D358542S

# United States Patent [19]

[11] Patent Number: **Des. 358,542**

Byrd, Jr.

[45] Date of Patent: **\*\* May 23, 1995**

## [54] U-LOCK SPACER BARRIER

[76] Inventor: **Richard H. Byrd, Jr.**, 843 Capp St., San Francisco, Calif. 94119

[\*\*] Term: **14 Years**

[21] Appl. No.: **16,072**

[22] Filed: **Dec. 6, 1993**

### Related U.S. Application Data

[62] Division of Ser. No. 744,009, Aug. 12, 1991, Pat. No. Des. 343,349.

[52] U.S. Cl. .... **D8/343**

[58] Field of Search ..... **D8/330-331, D8/343, 354, 382; 70/431, 461, 466, 51, 54-56; 292/DIG. 54; 248/67.7, 74.1, 74.3; 24/339; 280/276, 280; D12/114, 118**

### [56] References Cited

#### U.S. PATENT DOCUMENTS

5,076,526 12/1991 Zane et al. .... 248/314

#### FOREIGN PATENT DOCUMENTS

79798 5/1983 European Pat. Off. .... 70/466

### OTHER PUBLICATIONS

Zierick Manufacturing Corp. Catalog; (1980), p. 61.

*Primary Examiner*—Brian N. Vinson  
*Attorney, Agent, or Firm*—Haverstock, Medlen & Carroll

### [57] CLAIM

The ornamental design for a U-lock spacer barrier, as shown and described.

### DESCRIPTION

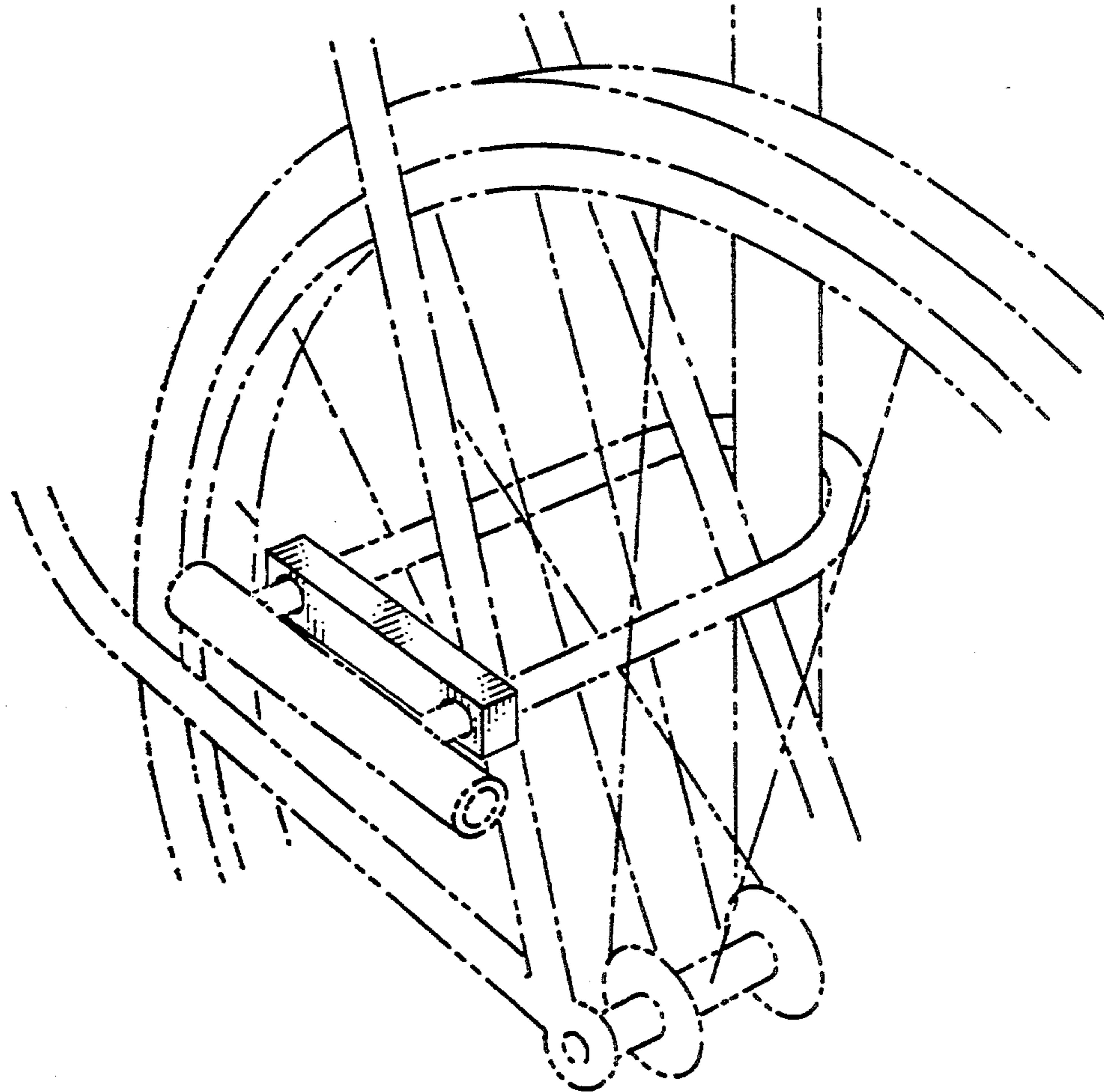
FIG. 1 is a top, front, and right side perspective view of a U-lock spacer barrier showing my new design, the broken-line disclosure of a portion of a bicycle, post, and U-lock being for illustrative purposes only and forming no part of the claimed design;

FIG. 2 is an enlarged top, front, and right side elevational view thereof;

FIG. 3 is an enlarged top plan view thereof, the bottom being identical in appearance;

FIG. 4 is an enlarged front elevational view thereof, the rear being identical in appearance; and,

FIG. 5 is an enlarged side elevational view thereof, the opposite side being identical in appearance.



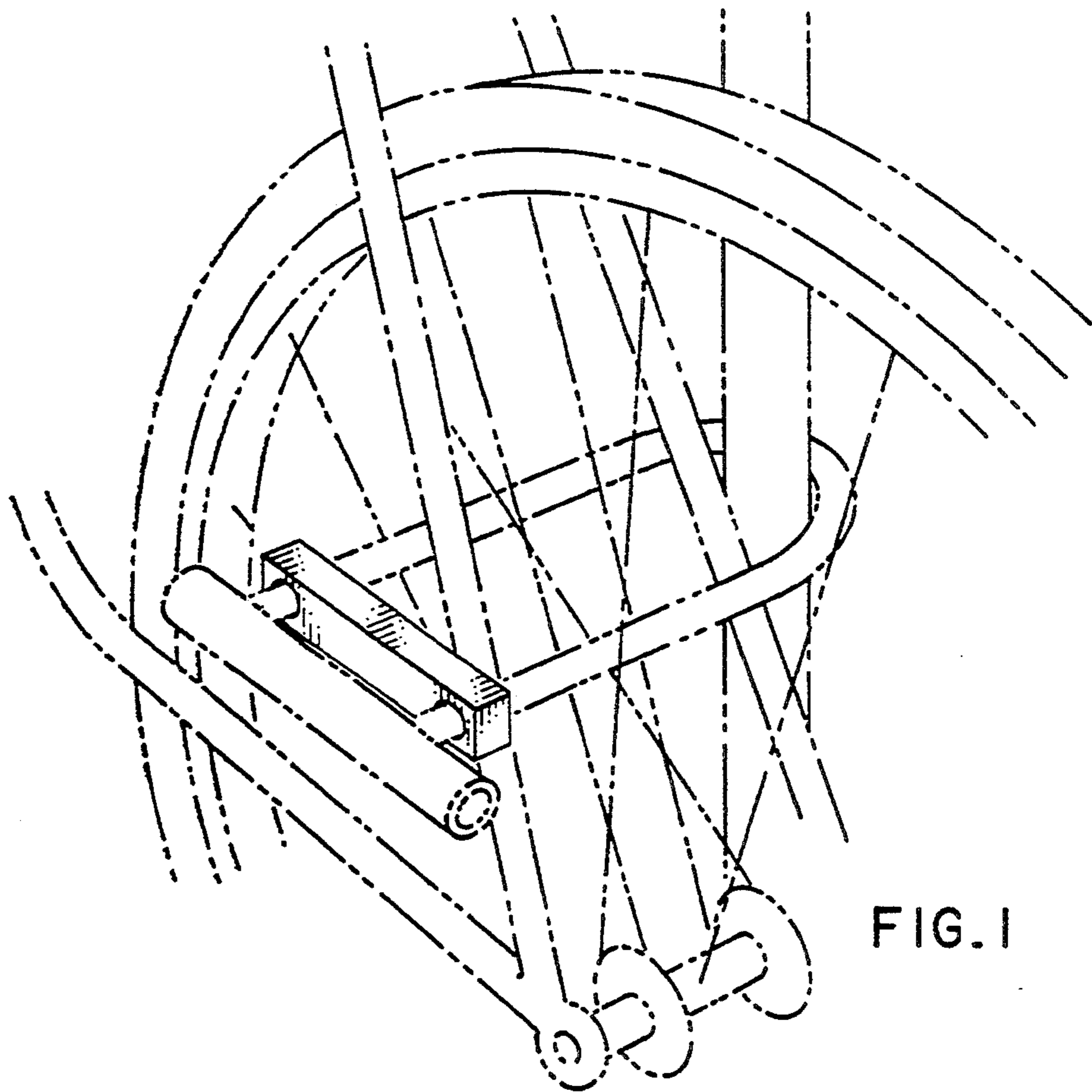


FIG. 1

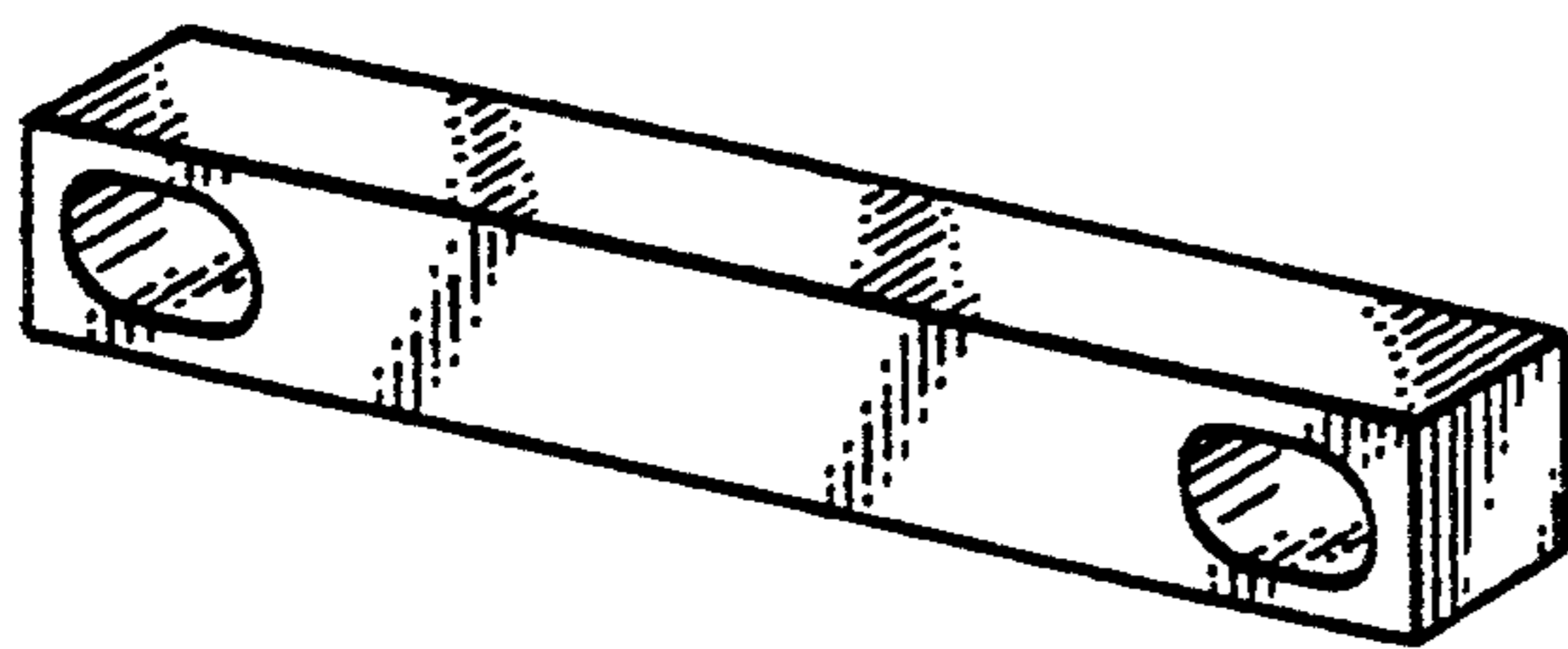


FIG. 2



FIG. 3

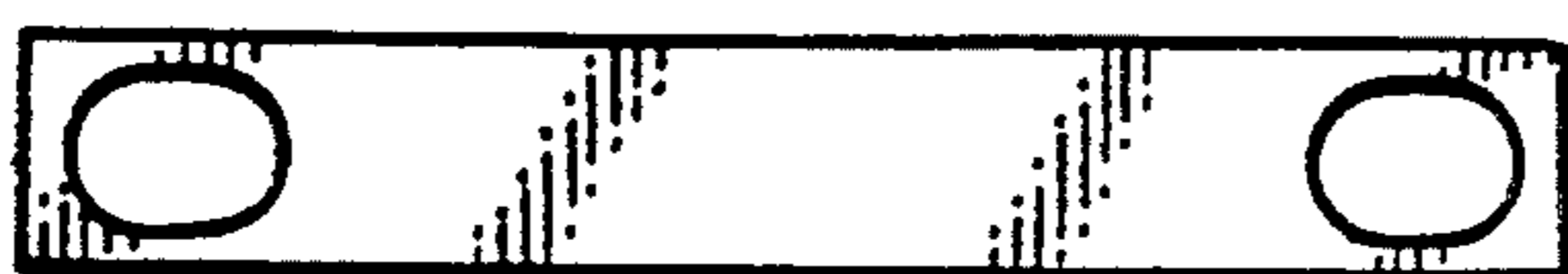


FIG. 4



FIG. 5