



US00D358541S

**United States Patent** [19]  
**Wahlén**

[11] **Patent Number: Des. 358,541**

[45] **Date of Patent: \*\* May 23, 1995**

[54] **LOCKING MEMBER**

[75] **Inventor: Kent Wahlén, Edsbyn, Sweden**

[73] **Assignee: Nefab AB, Sweden**

[\*\*] **Term: 14 Years**

[21] **Appl. No.: 6,006**

[22] **Filed: Mar. 17, 1993**

[30] **Foreign Application Priority Data**

Sep. 17, 1992 [SE] Sweden ..... 92-1879

[52] **U.S. Cl. .... D8/331**

[58] **Field of Search .... D8/330-331;  
70/63, 69; 292/307 R, 314, 325**

[56] **References Cited**

**U.S. PATENT DOCUMENTS**

1,662,914 3/1928 Angel ..... 292/325  
4,782,977 11/1988 Watanabe et al. .... 292/307 R

**FOREIGN PATENT DOCUMENTS**

111643 5/1899 Germany .  
328679 9/1970 Sweden .  
700501 12/1953 United Kingdom .

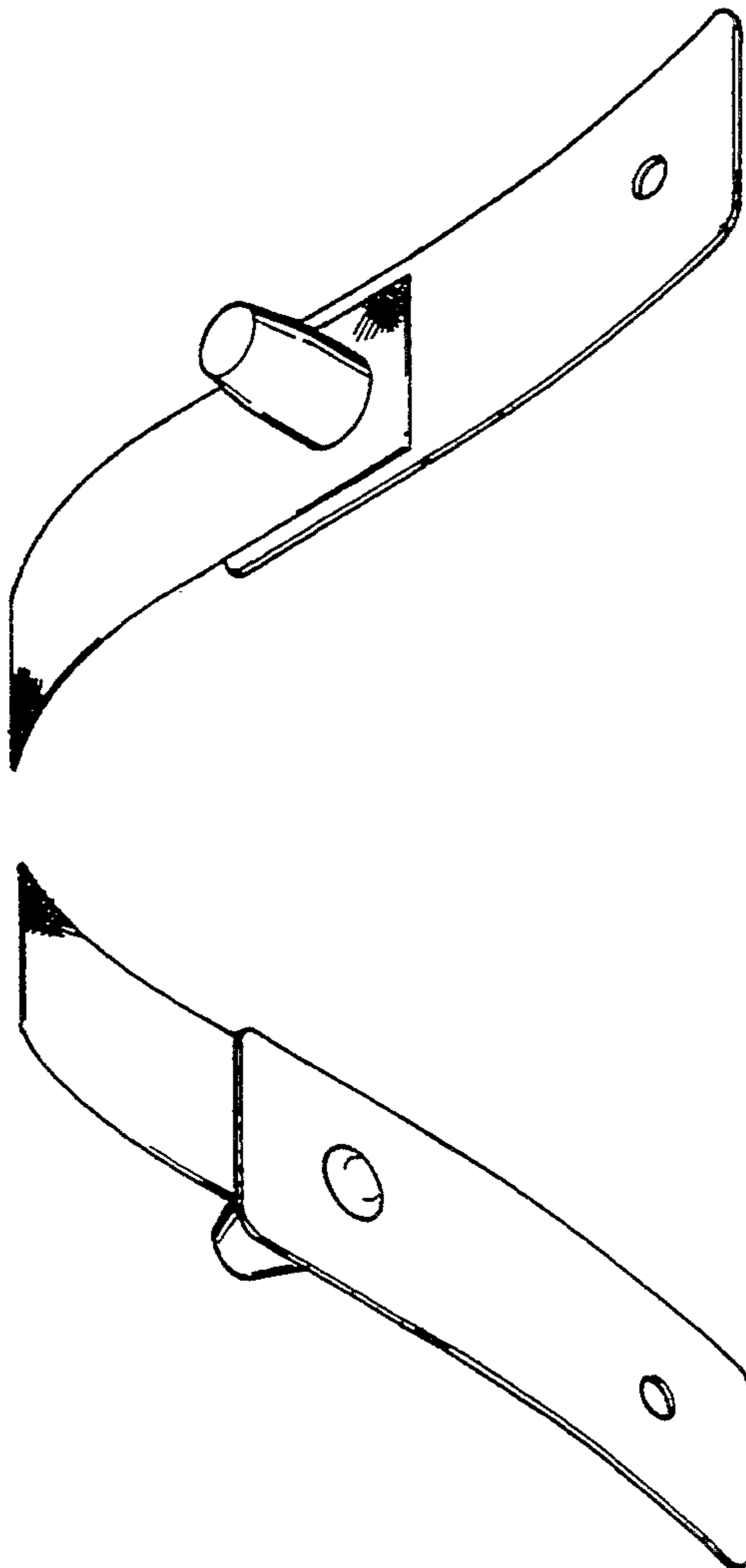
*Primary Examiner*—Brian N. Vinson  
*Attorney, Agent, or Firm*—Zarley, McKee, Thomte,  
Voorhees & Sease

[57] **CLAIM**

The new and ornamental design of a locking member, as shown.

**DESCRIPTION**

FIG. 1 is a forward perspective view of a locking member showing my new design; and, FIG. 2 is a rear perspective view thereof.



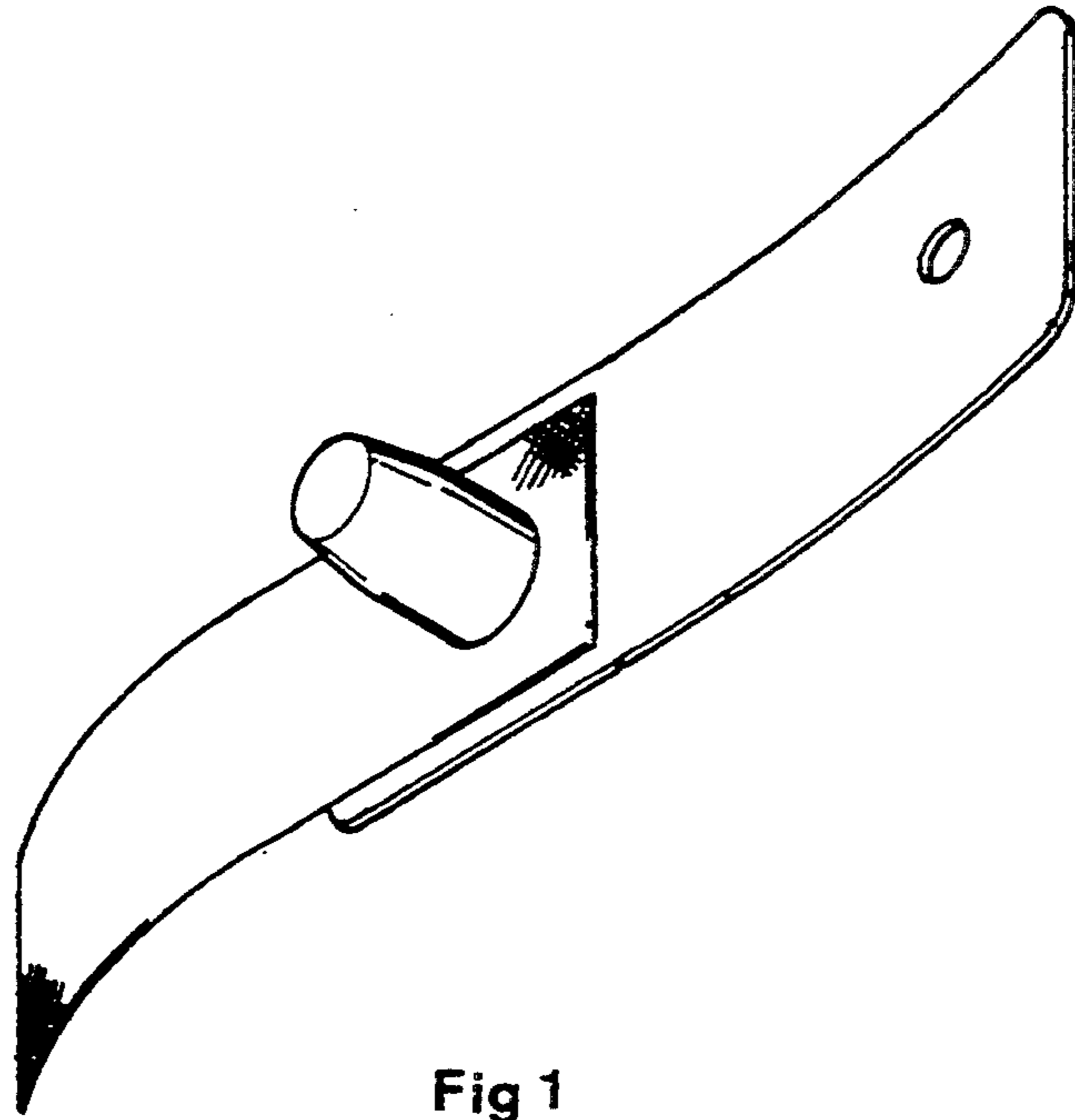


Fig 1

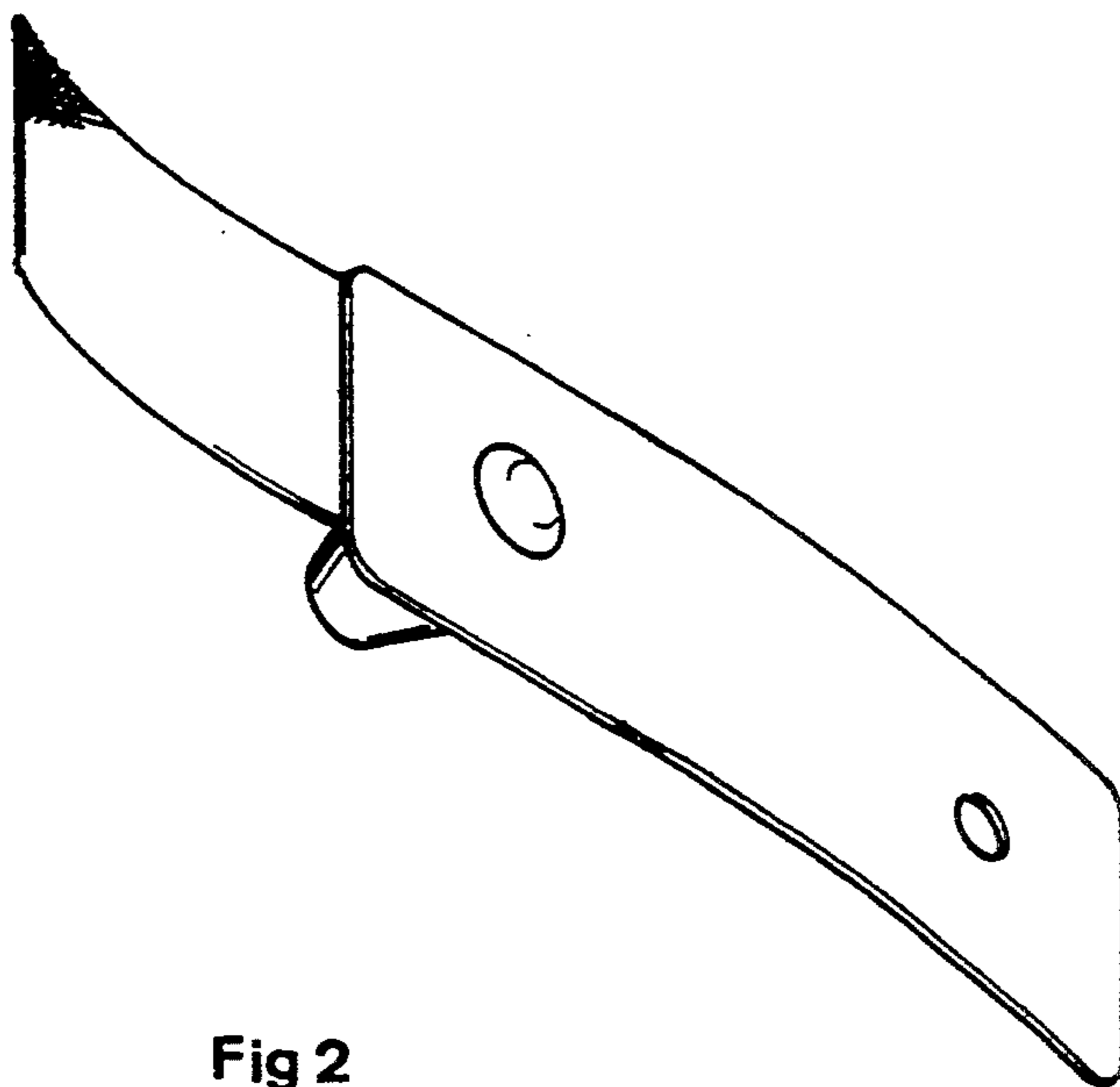


Fig 2