



US00D358535S

United States Patent [19]

[11] Patent Number: **Des. 358,535**

Skinner

[45] Date of Patent: **** May 23, 1995**

[54] **CUTTING LINE FOR A ROTATING LINE TRIMMER**

[75] Inventor: **David B. Skinner**, Columbia, S.C.

[73] Assignee: **Shakespeare Company**, Columbia, S.C.

[**] Term: **14 Years**

[21] Appl. No.: **954,386**

[22] Filed: **Sep. 30, 1992**

4,825,627	5/1989	Truderung	56/12.7
4,869,055	9/1989	Mickelson	56/12.7
4,905,465	3/1990	Jones et al.	56/295
4,916,886	4/1990	Nakamura et al.	56/12.7
5,048,278	9/1991	Jones et al.	56/12.7
5,220,774	6/1993	Harbeke et al.	56/12.7

FOREIGN PATENT DOCUMENTS

556632 10/1974 Switzerland .

OTHER PUBLICATIONS

Photocopy of Photograph—STARLINE of Omark/-SPINTRIM line of Garden Pro, undated.

Primary Examiner—Terry A. Wallace

Assistant Examiner—Sandra Morris

Attorney, Agent, or Firm—Renner, Kenner, Greive, Bobak, Taylor & Weber

Related U.S. Application Data

[63] Continuation-in-part of Ser. No. 834,520, Feb. 12, 1992.

[52] U.S. Cl. **D8/8; D15/138**

[58] Field of Search **D8/8; D15/16, 17, 138; 30/276, 295; 56/12.7, 295; 428/397, 400; D25/119-123**

[57] CLAIM

The ornamental design for a cutting line for a rotating line trimmer, as shown and described.

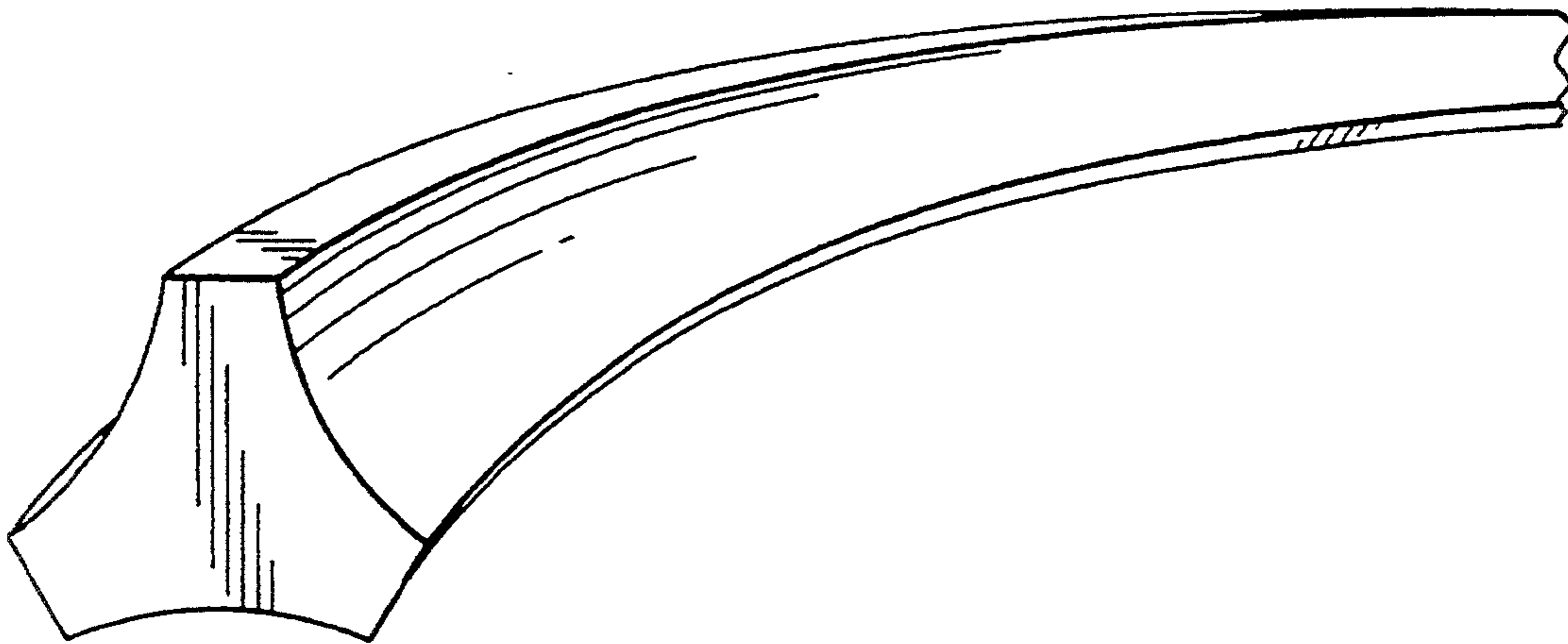
[56] References Cited

U.S. PATENT DOCUMENTS

D. 298,905	12/1988	Petherick et al.	D8/8
4,047,299	9/1977	Bair	30/276
4,107,841	8/1978	Rebhun	30/276
4,126,990	11/1978	Fisher et al.	56/295
4,186,239	1/1980	Mize et al.	30/276
4,282,653	8/1981	Comer et al.	30/276
4,356,686	11/1982	Lessig, III	56/295
4,412,382	11/1983	White, III	30/276
4,631,828	12/1986	Burnett	56/12.7

DESCRIPTION

FIG. 1 is a fragmentary perspective view of a cutting line for a rotating line trimmer, showing my new design; FIG. 2 is a second embodiment thereof; FIG. 3 is a third embodiment thereof; FIG. 4 is a fourth embodiment thereof; FIG. 5 is a fifth embodiment thereof; and, FIG. 6 is a sixth embodiment thereof.



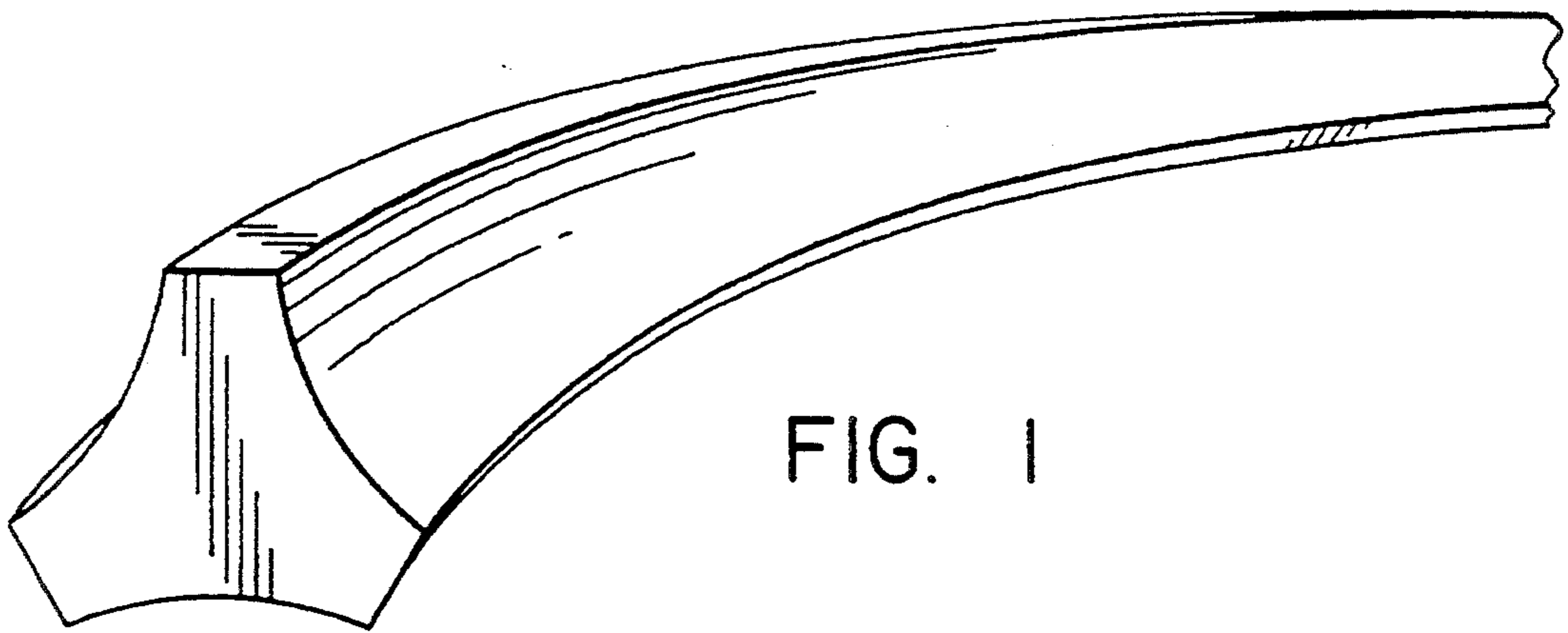


FIG. 1

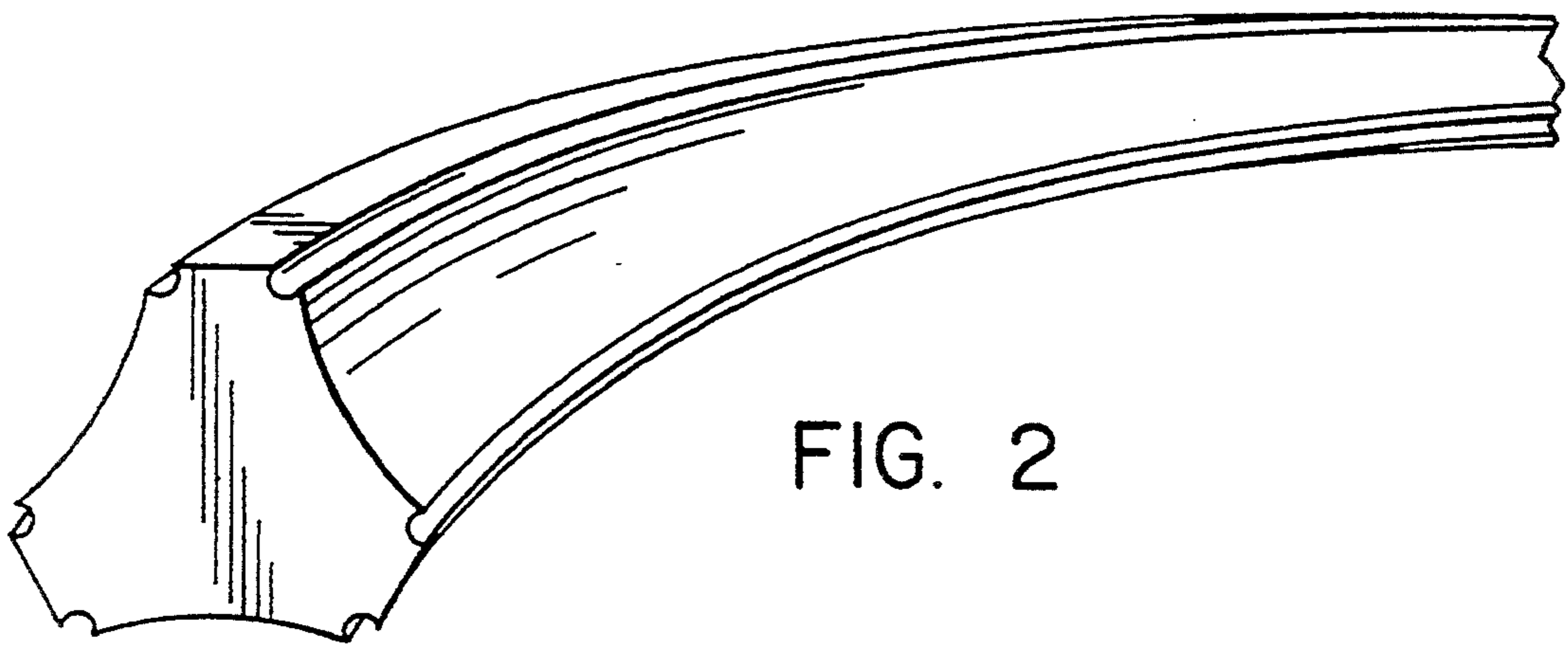


FIG. 2

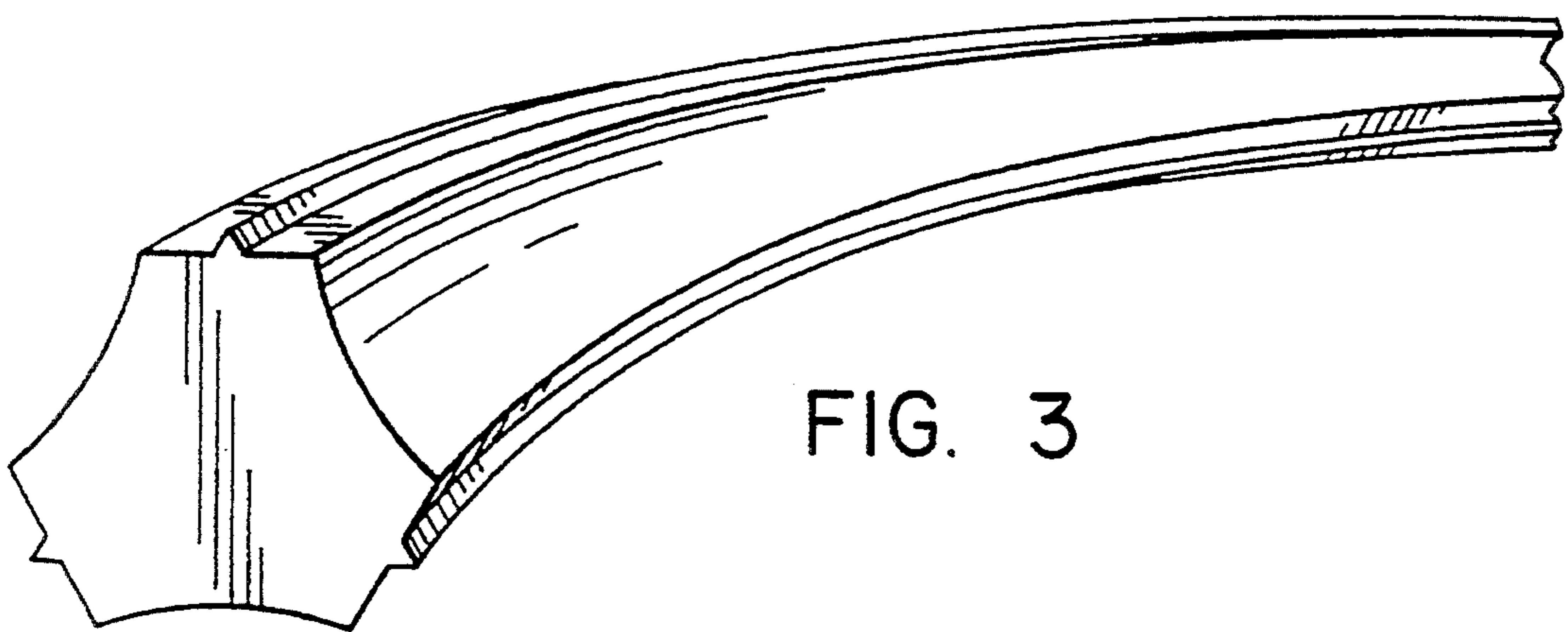


FIG. 3

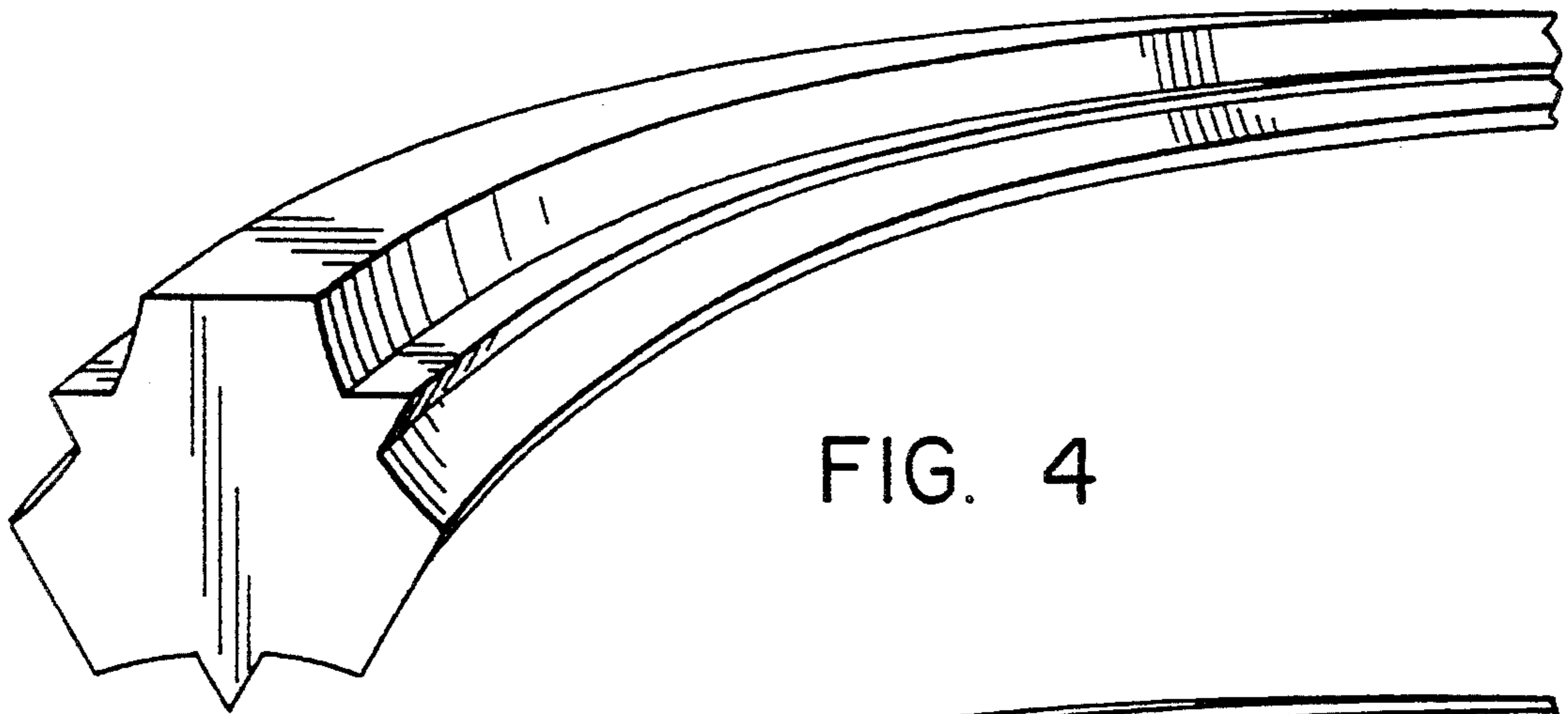


FIG. 4

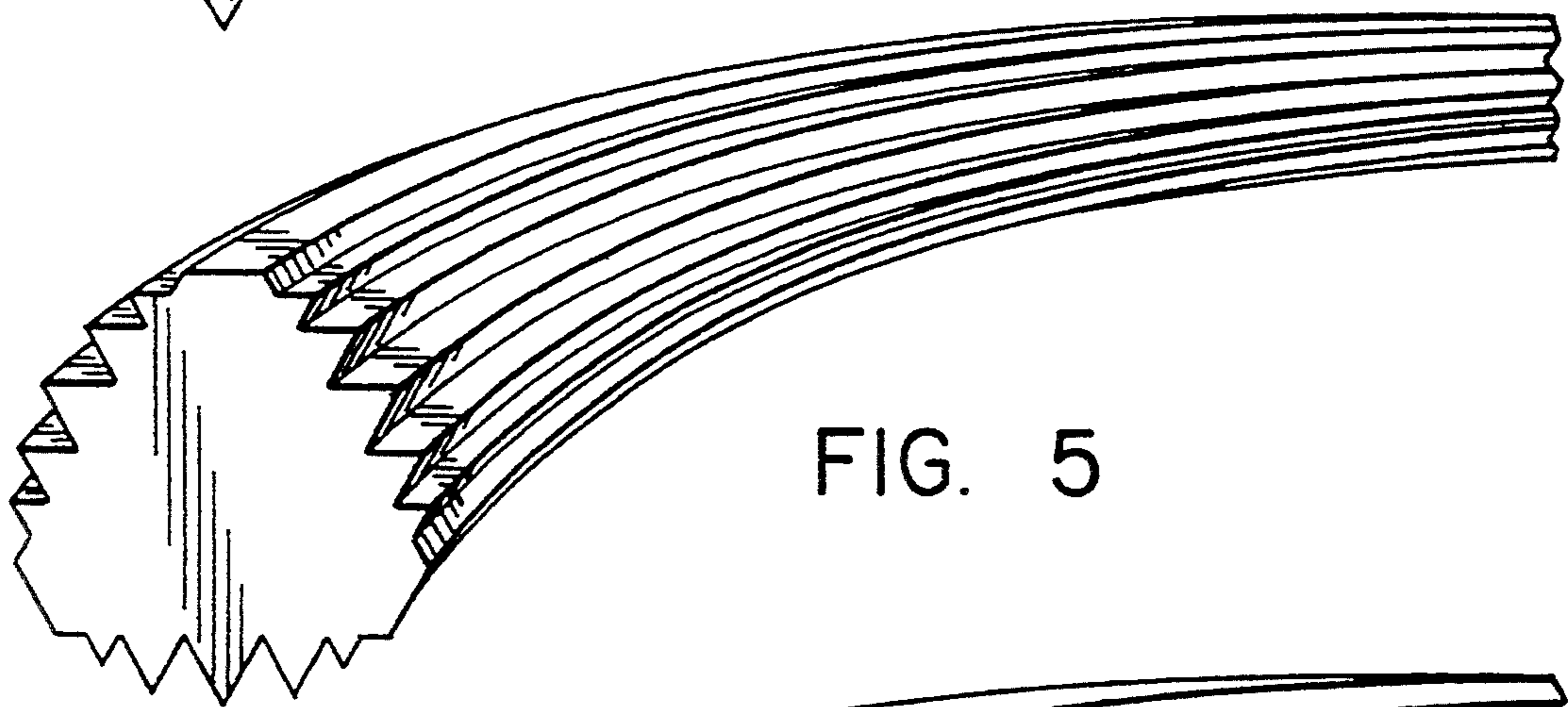


FIG. 5

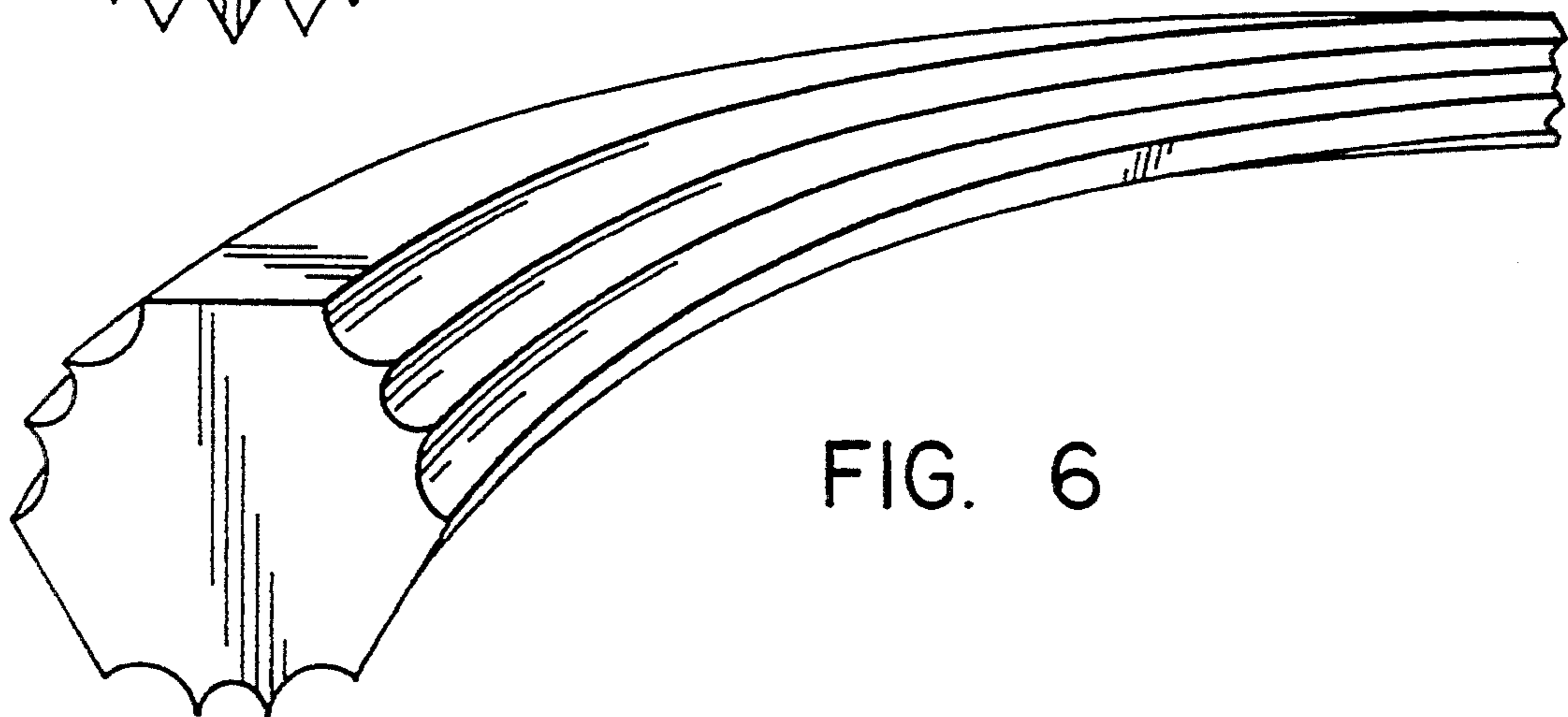


FIG. 6