



US00D358532S

# United States Patent [19]

[11] Patent Number: Des. 358,532

Wang et al.

[45] Date of Patent: \*\* May 23, 1995

[54] CASING FOR A KNIFE BLOCK

Attorney, Agent, or Firm—Morton J. Rosenberg; David I. Klein

[76] Inventors: Ming T. Wang, 3rd Fl., No. 8, Lane 133, Sec. 1, Chung Teh Rd.; Mon C. Wang, 5th Fl., No. 8, Lane 133, Sec. 1, Chung Teh Rd., both of Taichung, Taiwan, Prov. of China

[57] CLAIM

The ornamental design for a casing for a knife block, as shown and described.

[\*\*] Term: 14 Years

DESCRIPTION

[21] Appl. No.: 19,176

FIG. 1 is a front-right-top perspective view of a casing for a knife block, showing our new design; FIG. 2 is a front elevational view thereof; FIG. 3 is a rear elevational view thereof; FIG. 4 is a left elevational view thereof; FIG. 5 is a right elevational view thereof; FIG. 6 is a top plan view thereof; FIG. 7 is a bottom plan view thereof; FIG. 8 is a front-right-top perspective view of a working embodiment of our new design, the knife block is shown in broken lines for illustrative purposes only; and, FIG. 9 is a front-right-top perspective view of a working embodiment of our new design, the knife block and a plurality of knives, spoons and a pair of scissors disposed therein are shown in broken lines for illustrative purposes only.

[22] Filed: Feb. 24, 1994

[52] U.S. Cl. .... D7/641

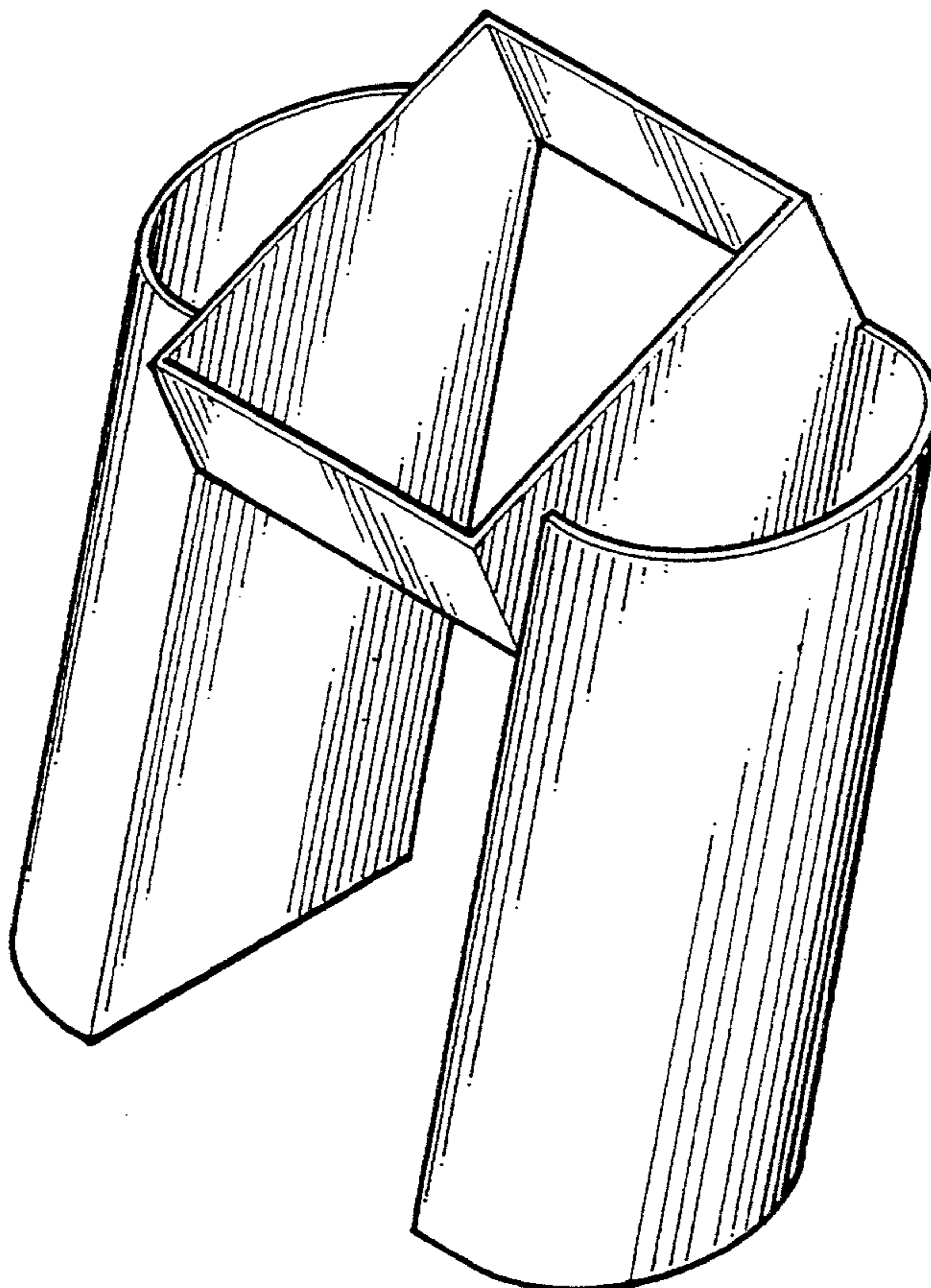
[58] Field of Search ..... D7/637-641; D19/75, 77-78, 81, 84-85; 211/60.1, 70.6, 70.7, 71, 163; 248/37.6, 37.7

[56] References Cited

U.S. PATENT DOCUMENTS

4,693,439 9/1987 Hahn ..... 248/37.6  
5,211,294 5/1993 Garman ..... 211/70.6

Primary Examiner—Terry A. Wallace



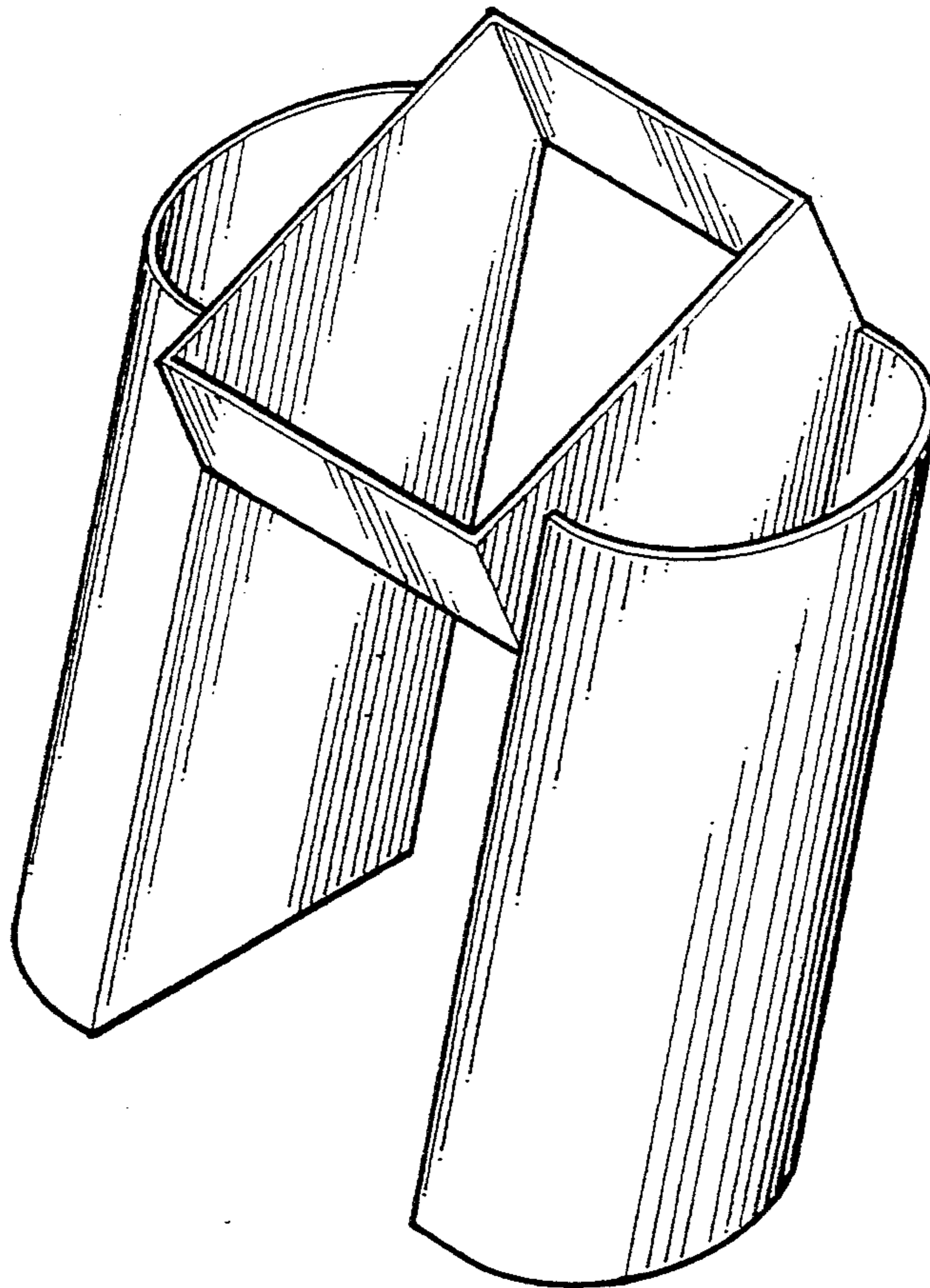


FIG. 1

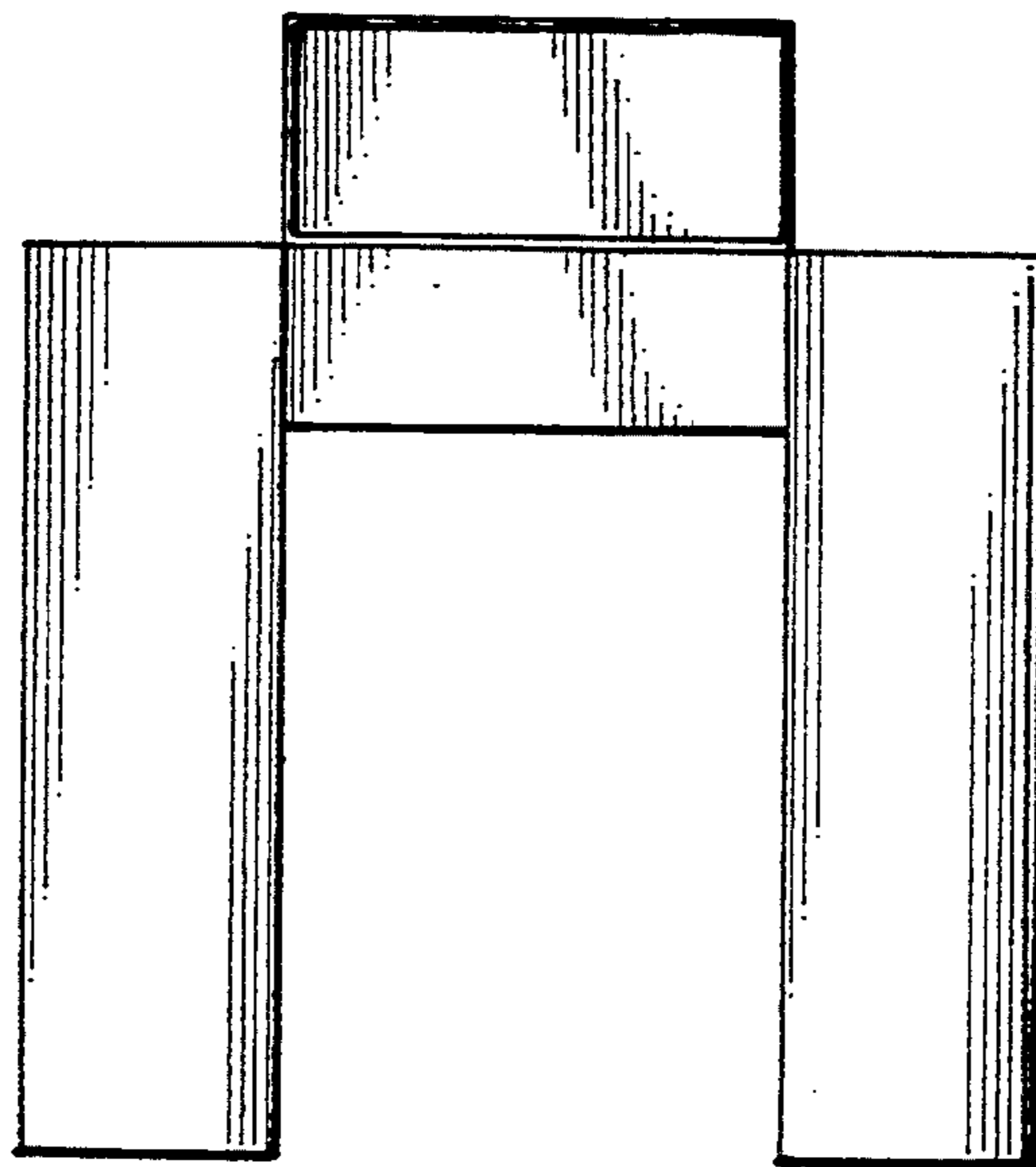


FIG. 2

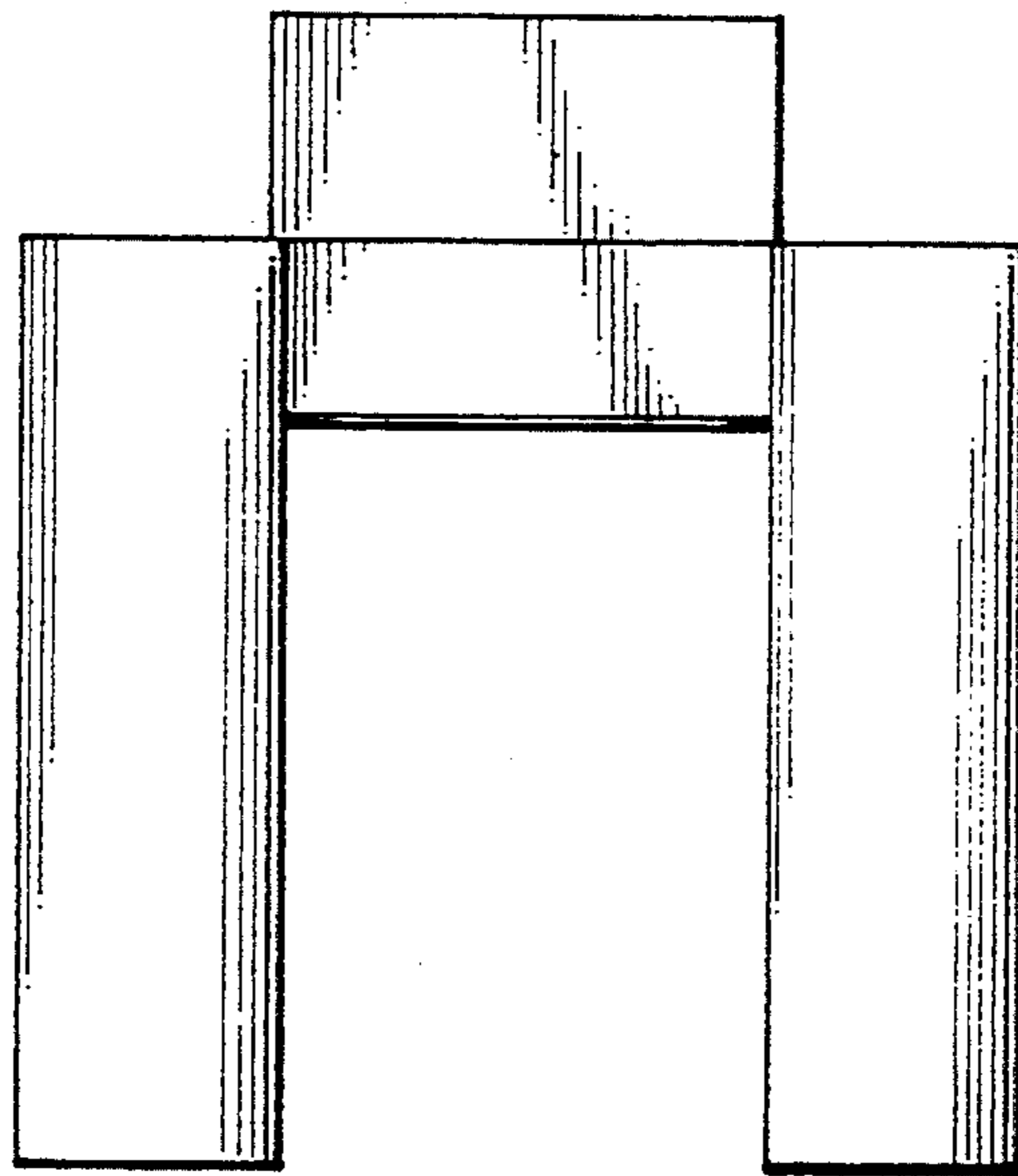


FIG. 3

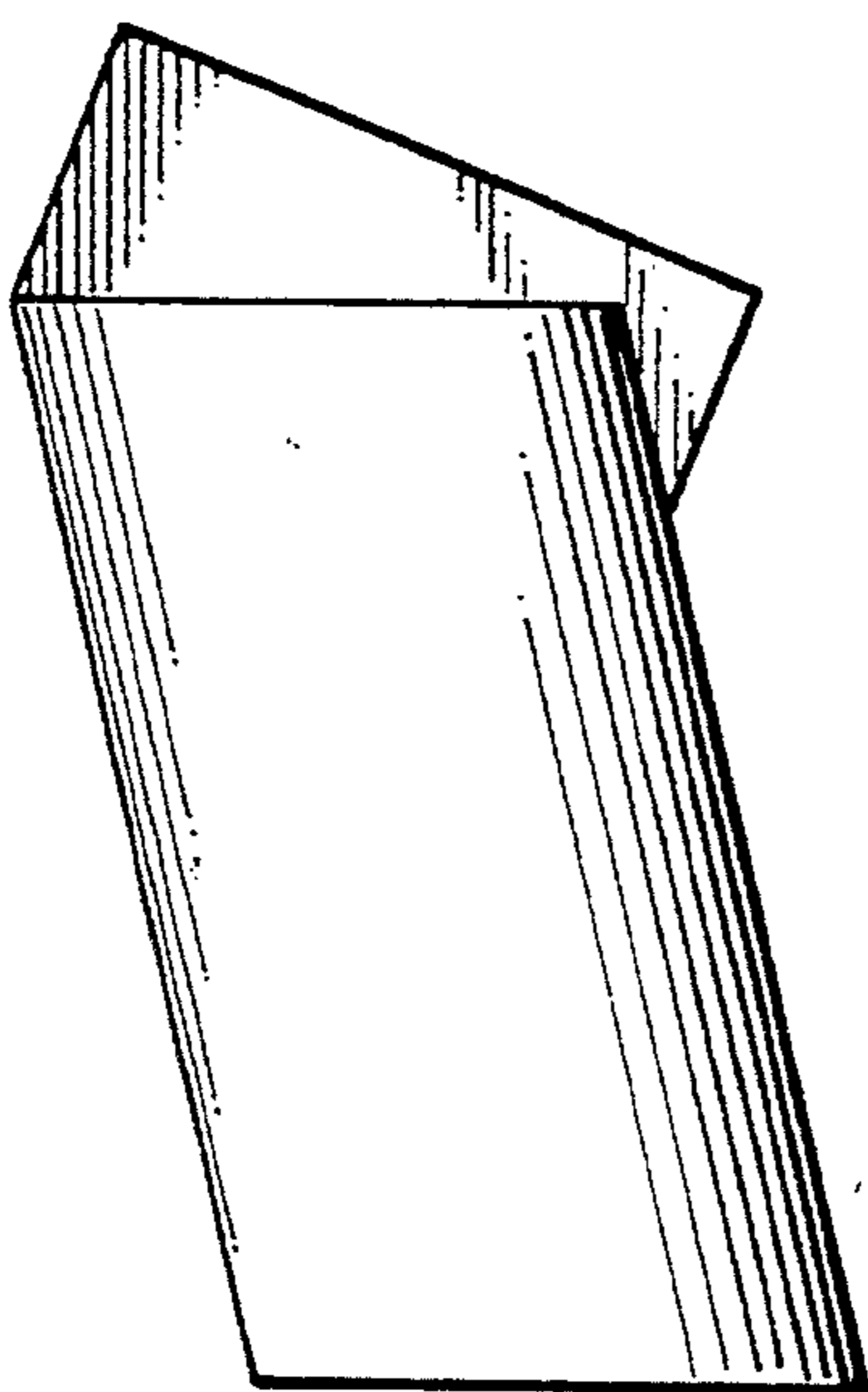


FIG. 4

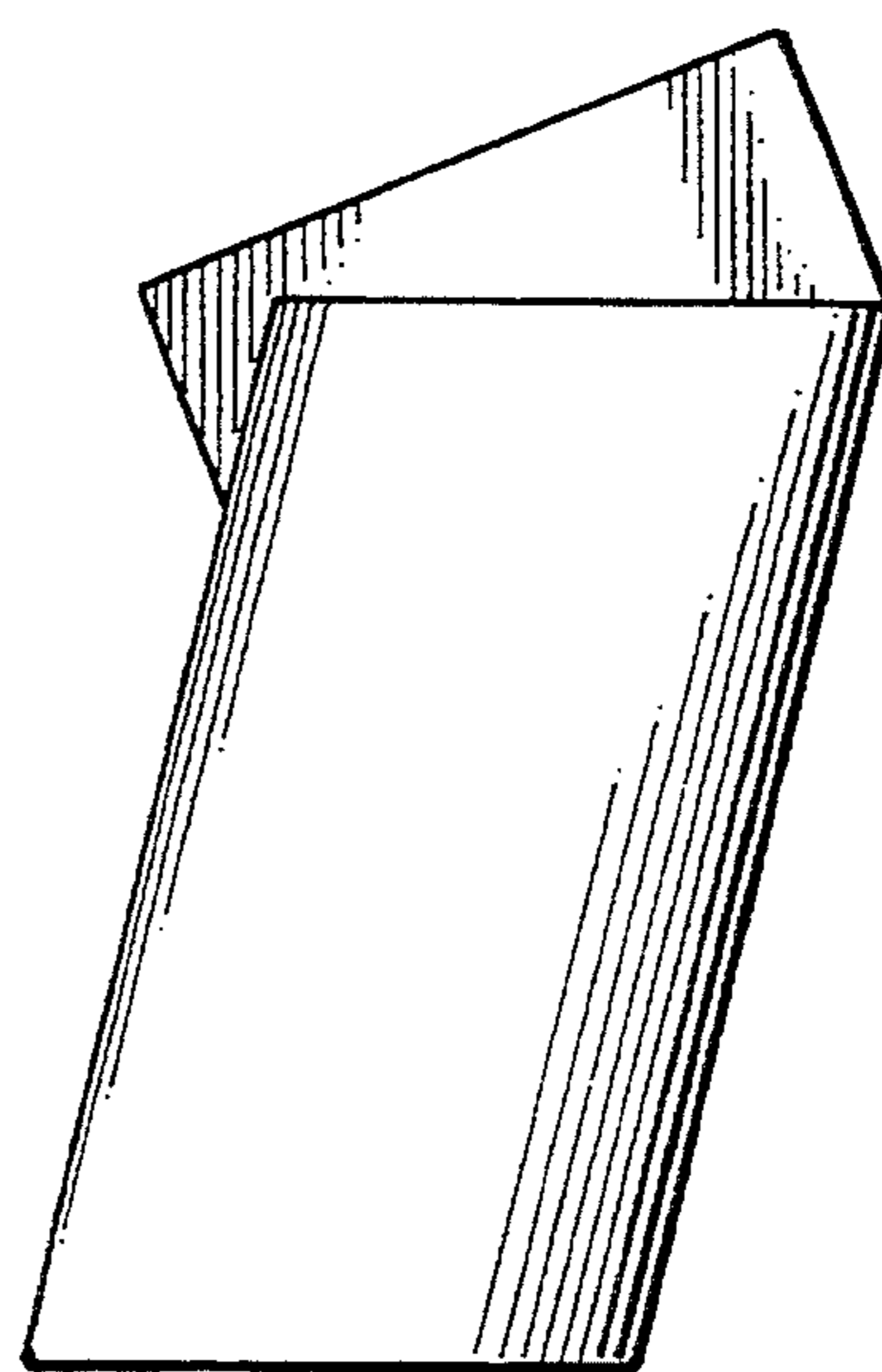


FIG. 5

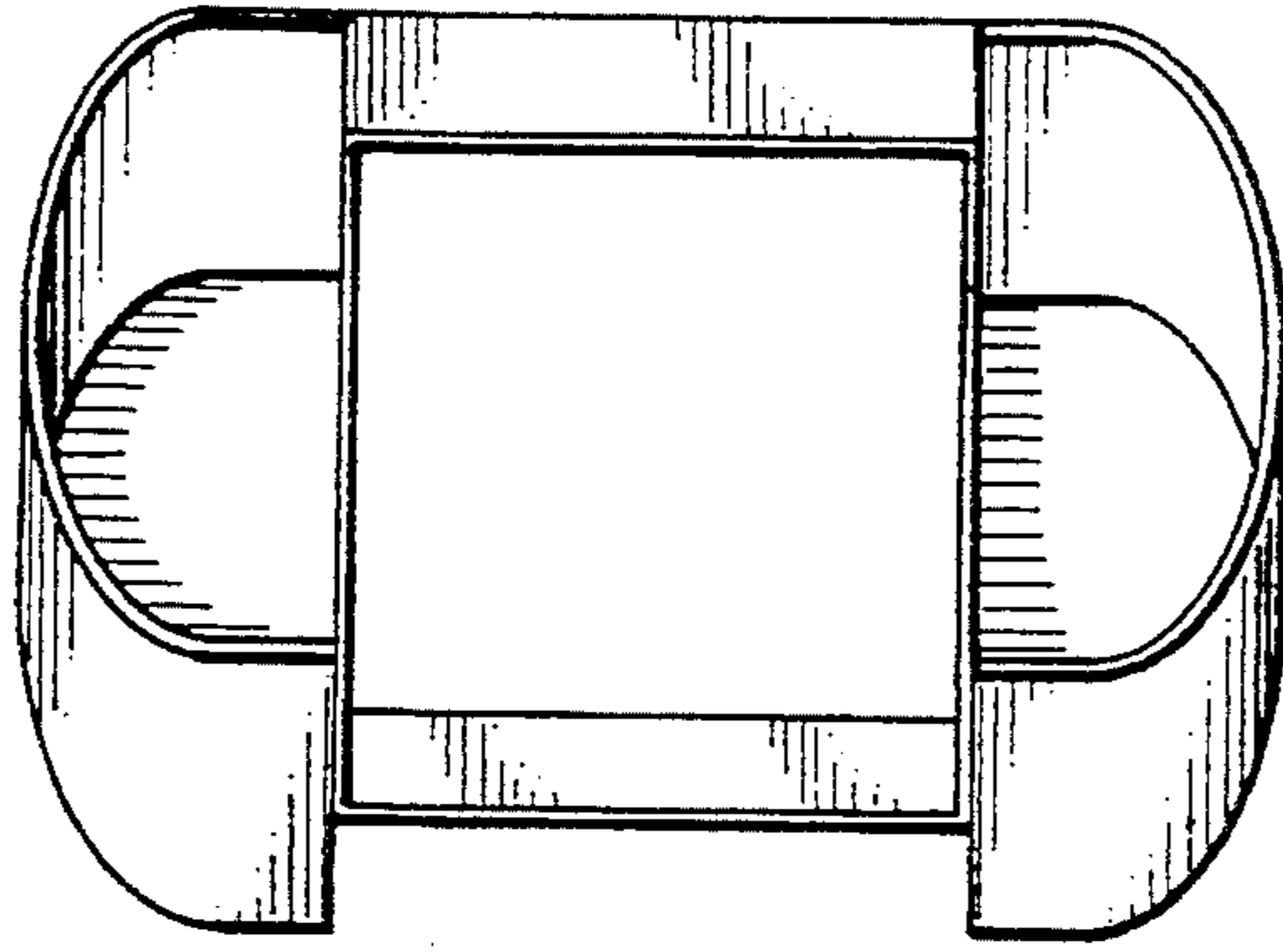


FIG. 6

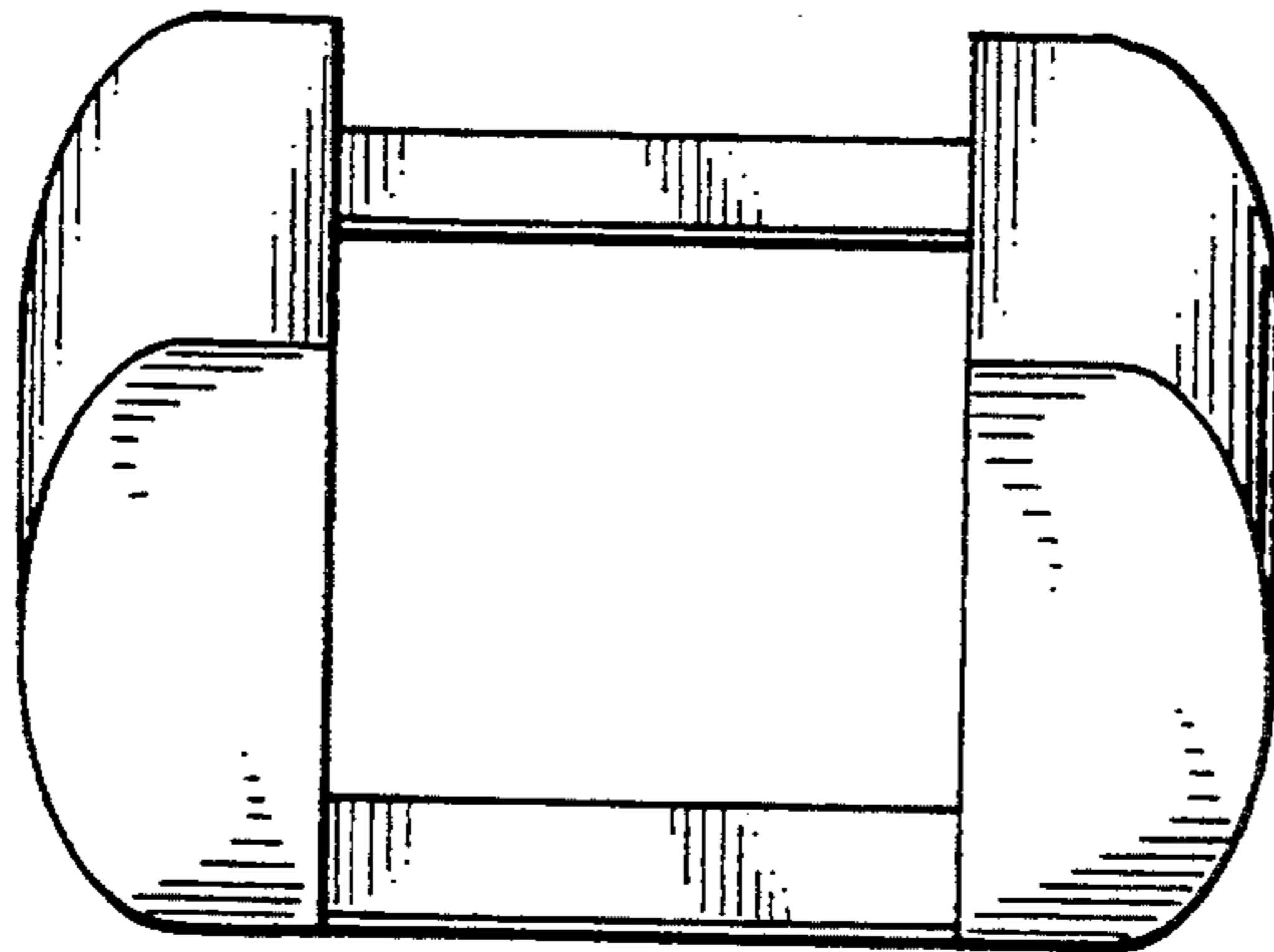


FIG. 7

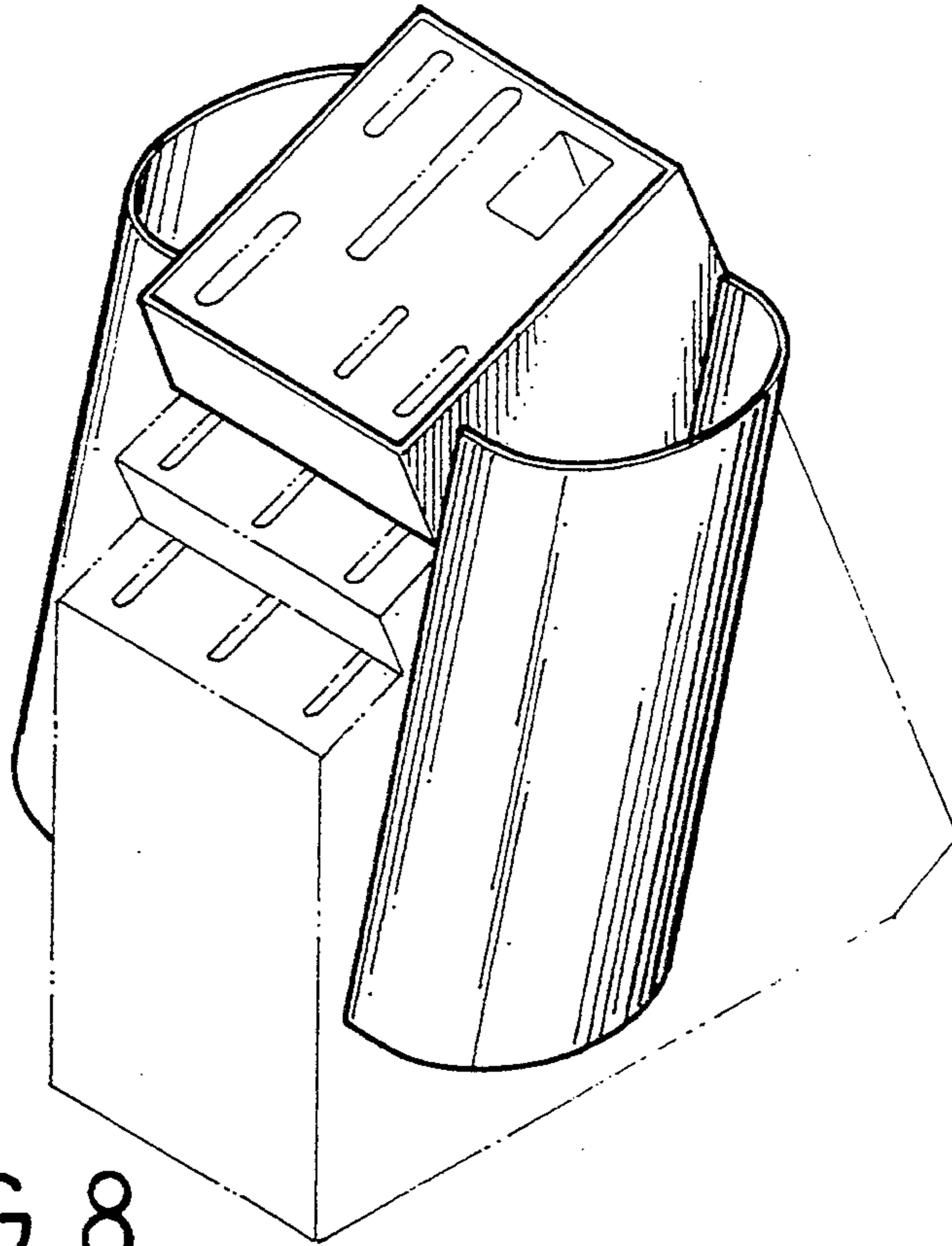


FIG. 8

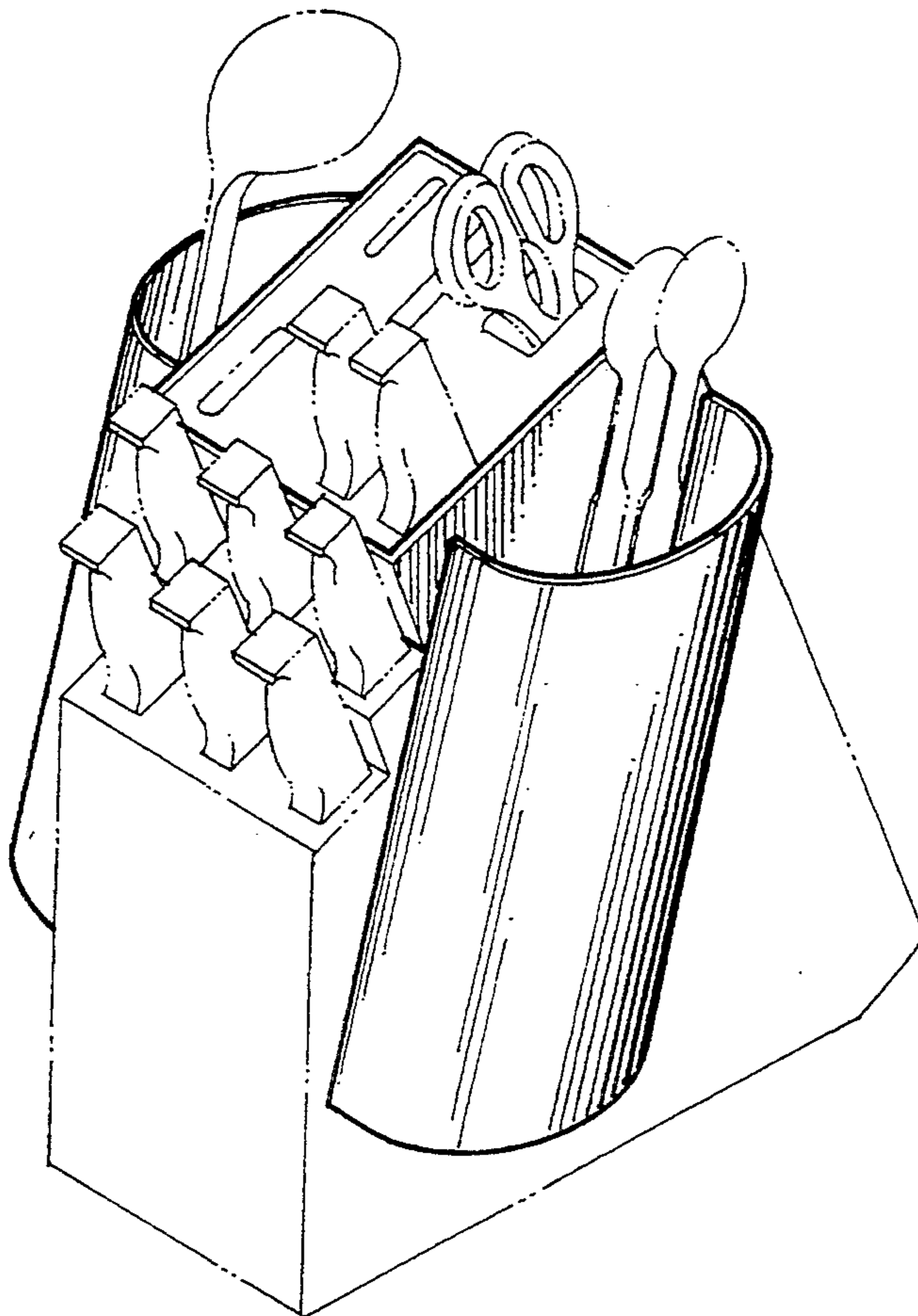


FIG. 9