



US00D358530S

United States Patent [19]

[11] Patent Number: Des. 358,530

Mehra et al.

[45] Date of Patent: ** May 23, 1995

[54] BIKE BOTTLE

[75] Inventors: **Ravinder C. Mehra**, Fairport;
Richard A. Leoncavallo, Pittsford;
Mark Giverc, Canandaigua, all of
N.Y.

[73] Assignee: **Nalge Company**, Rochester, N.Y.

[**] Term: **14 Years**

[21] Appl. No.: **17,528**

[22] Filed: **Jan. 14, 1994**

[52] U.S. Cl. **D7/510; D7/511**

[58] Field of Search **D7/510, 511, 507, 509,**
D7/514, 523, 533; D9/500, 538, 539, 446;
220/703, 711, 713, 705, 707, 709, 714, 715, 675;
215/1 A, 329

[56] **References Cited**

U.S. PATENT DOCUMENTS

| | | | |
|------------|---------|--------------------|-----------|
| D. 40,395 | 12/1909 | Nutter | D7/511 |
| D. 187,757 | 4/1960 | Mart | D9/446 |
| D. 272,139 | 1/1984 | Boughton | D7/510 |
| D. 337,274 | 7/1993 | Thatcher | D9/539 |
| D. 339,068 | 9/1993 | Bell et al. | D9/446 X |
| D. 346,556 | 5/1994 | Sirico et al. | D9/538 |
| D. 350,672 | 9/1994 | Egger et al. | D7/511 X |
| D. 351,313 | 10/1994 | Giard, Jr. | D9/539 X |
| 4,508,235 | 4/1985 | Steele et al. | 220/713 X |
| 4,925,040 | 5/1990 | Wang | 220/705 X |
| 5,029,719 | 7/1991 | Solomon | 220/707 X |
| 5,282,541 | 2/1994 | Chen | 215/1 A X |
| 5,346,081 | 9/1994 | Lin | 220/714 X |

Primary Examiner—Alan P. Douglas
Assistant Examiner—M. N. Pandozzi
Attorney, Agent, or Firm—Wood, Herron & Evans

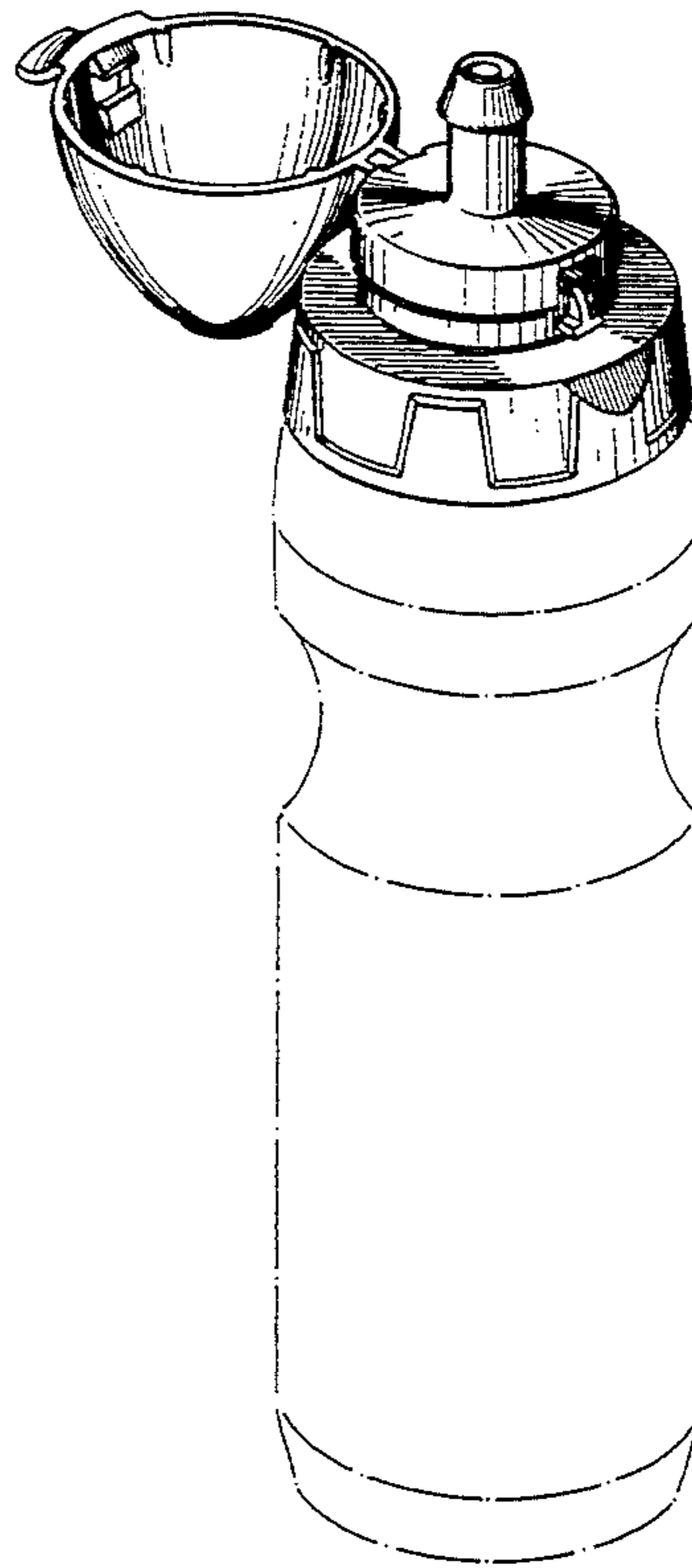
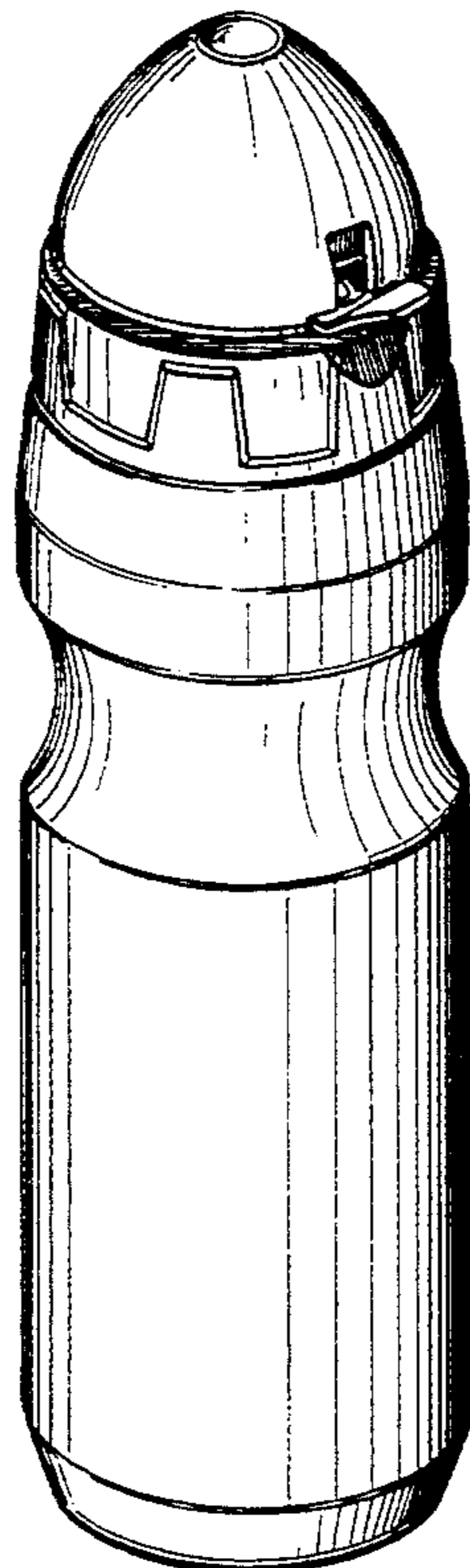
[57] **CLAIM**

The ornamental design for a bike bottle, as shown and described.

DESCRIPTION

FIG. 1 is a perspective view of a bike bottle incorporating the design of our invention, showing the pivotal closure in the closed position;
 FIG. 2 is a front elevational view thereof;
 FIG. 3 is a left side elevational view thereof, with the right side being a mirror image;
 FIG. 4 is a rear elevational view thereof;
 FIG. 5 is a top plan view thereof;
 FIG. 6 is a bottom plan view thereof;
 FIG. 7 is a perspective view of the bike bottle design of FIG. 1, showing the pivotal closure in the open condition;
 FIG. 8 is a front elevational view thereof;
 FIG. 9 is a left side elevational view thereof, with the right side being a mirror image;
 FIG. 10 is a rear elevational view thereof;
 FIG. 11 is a top plan view thereof; and,
 FIG. 12 is a bottom plan view thereof.

The phantom lines (used for convenience of illustration) shown in FIGS. 7-11 for the bike bottle with the closure in the open condition depict the body of the bike bottle which is identical to that shown in FIGS. 1-6, respectively, for the bike bottle with the closure in the closed condition.



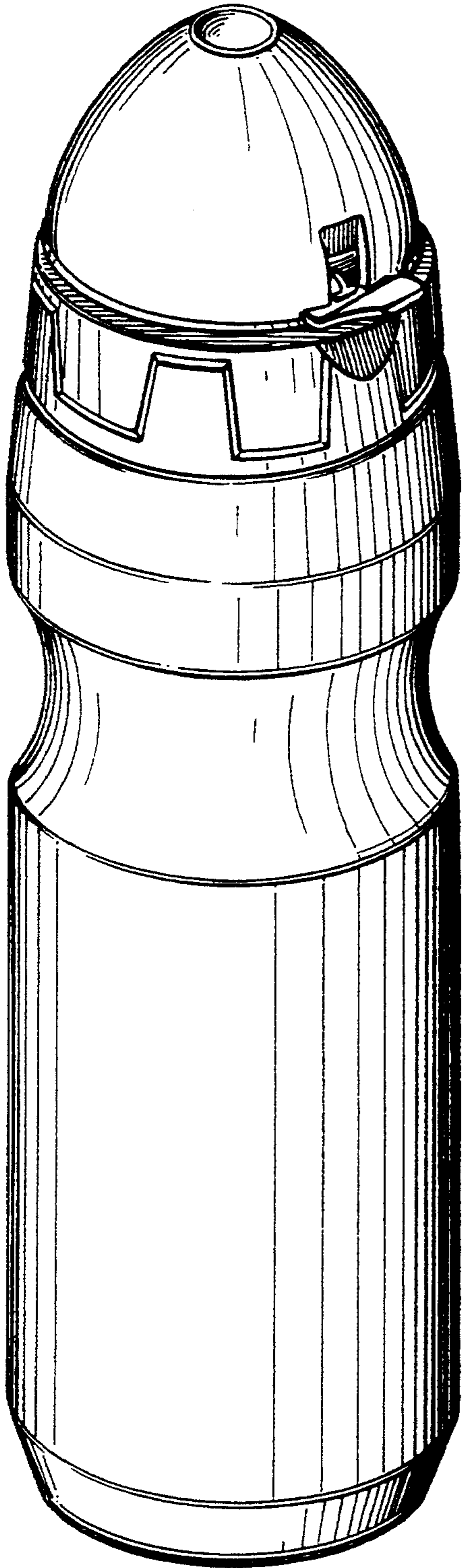


FIG. 1

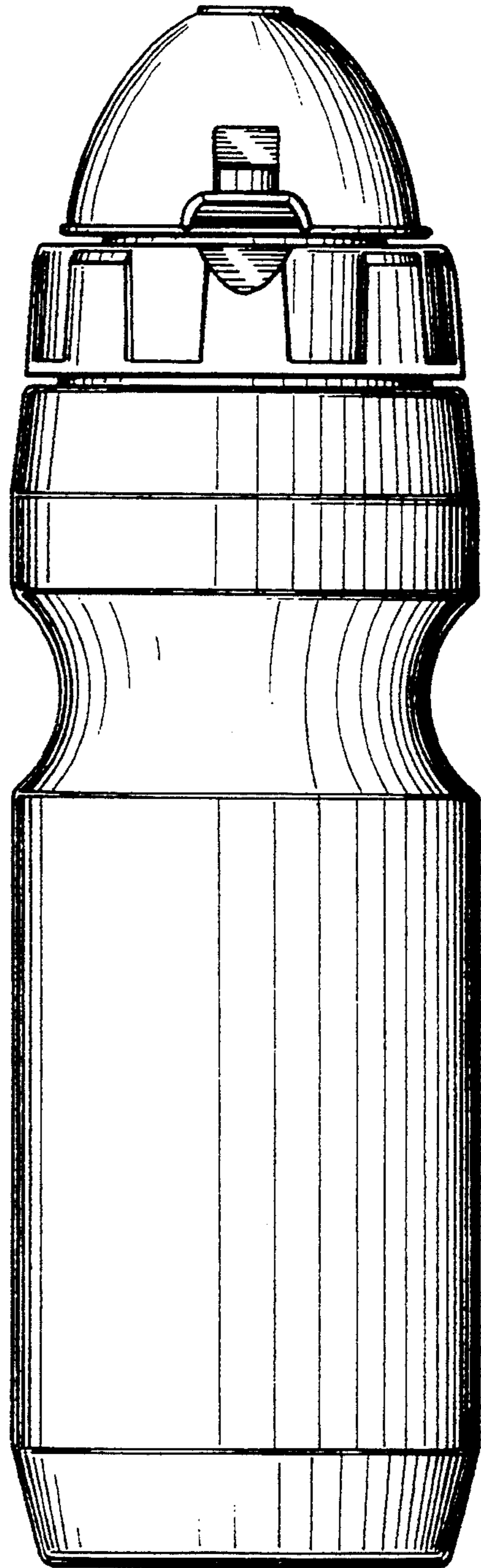


FIG. 2

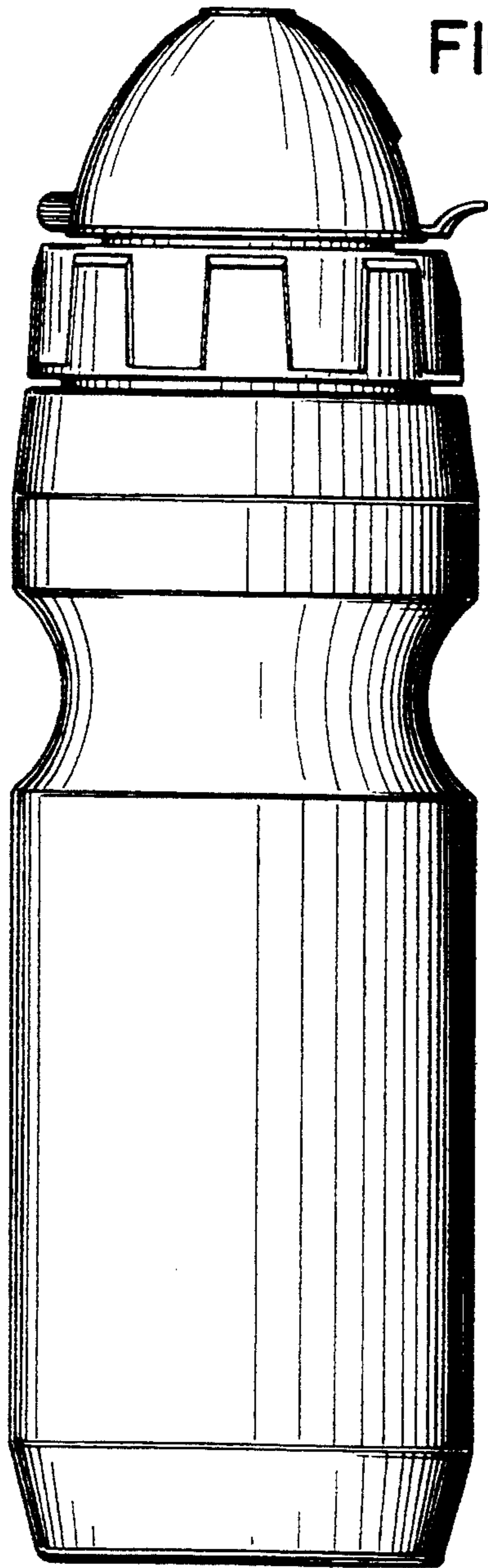


FIG. 3

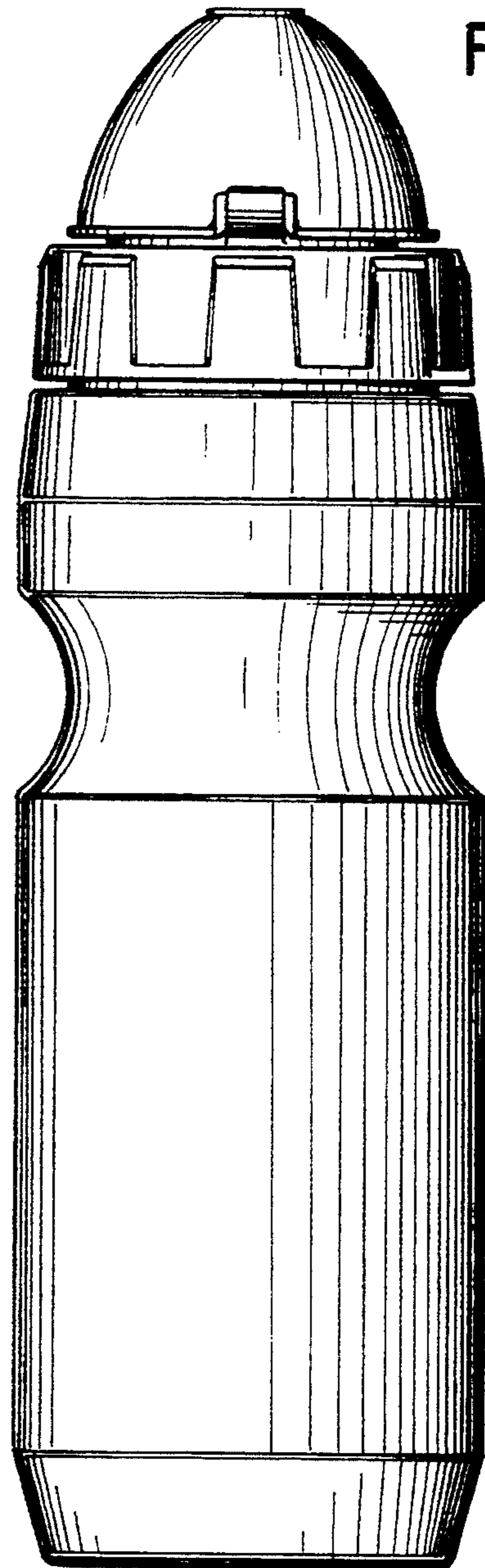


FIG. 4

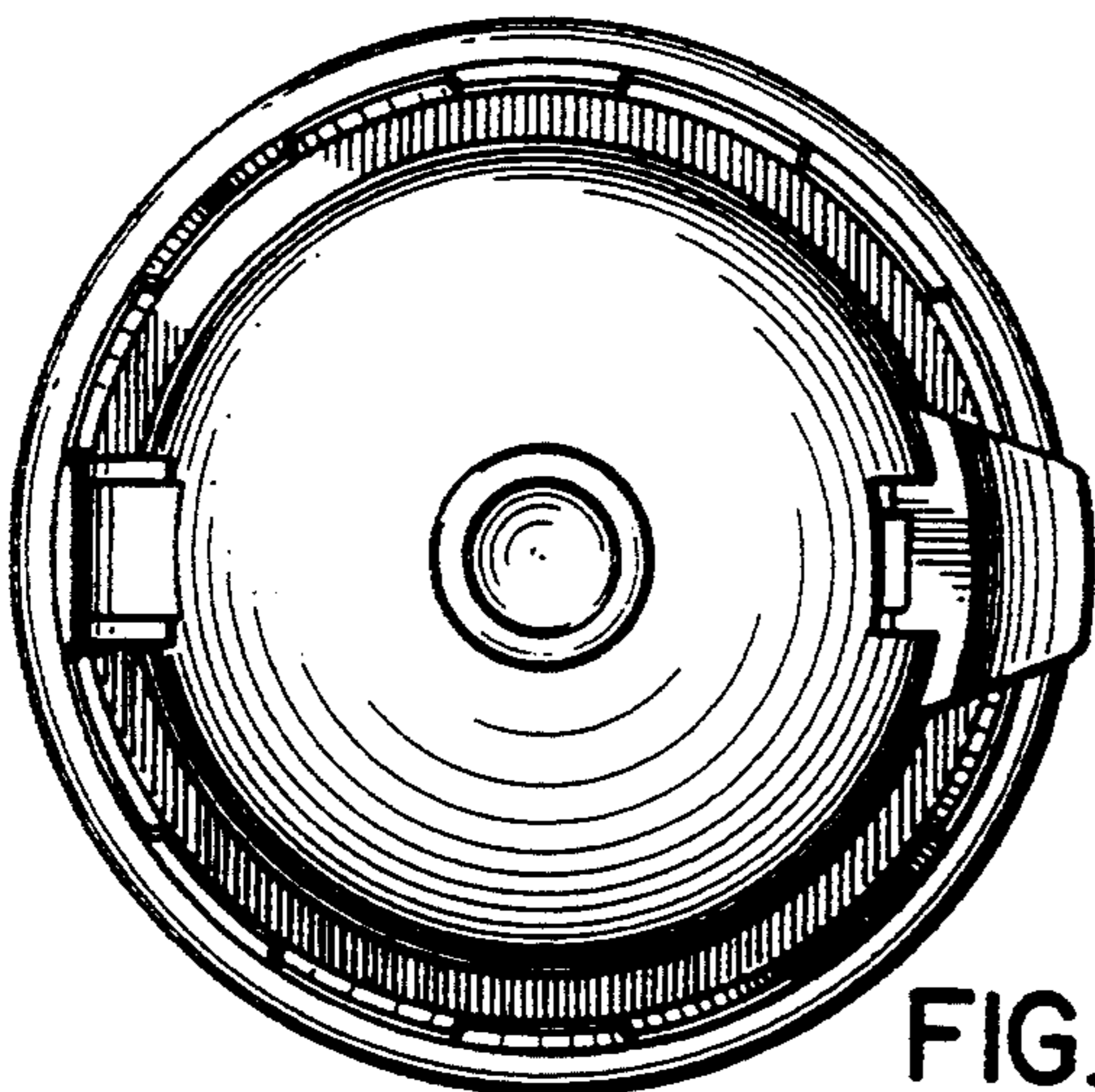


FIG. 5

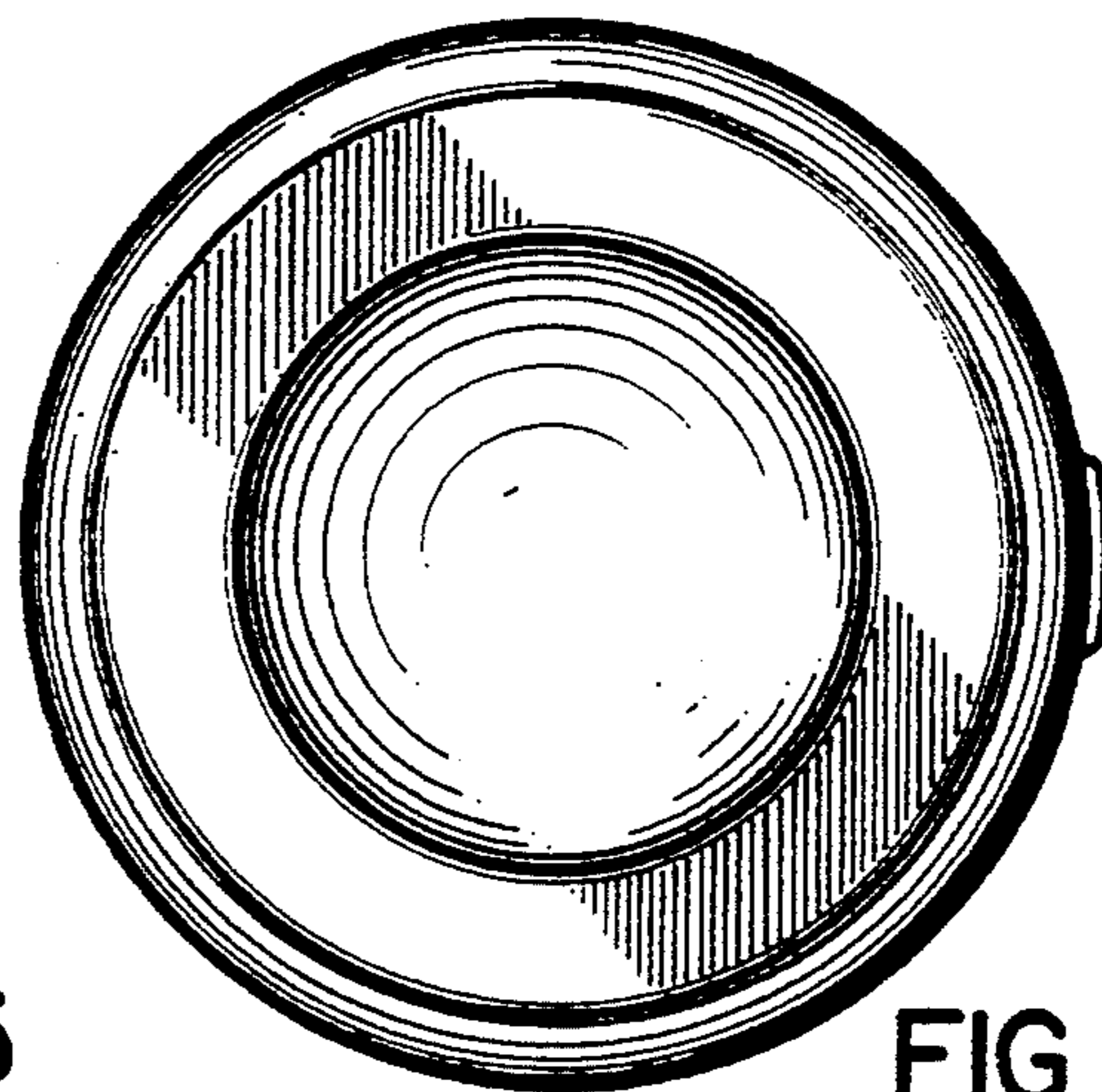


FIG. 6

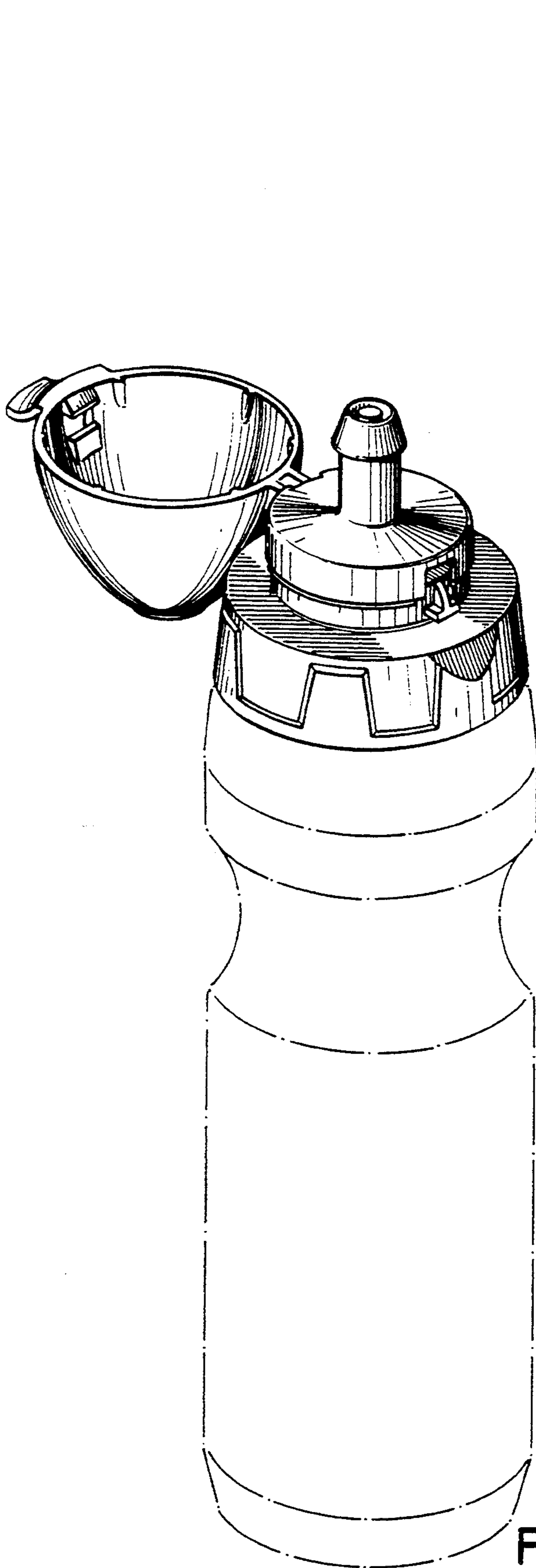


FIG. 7

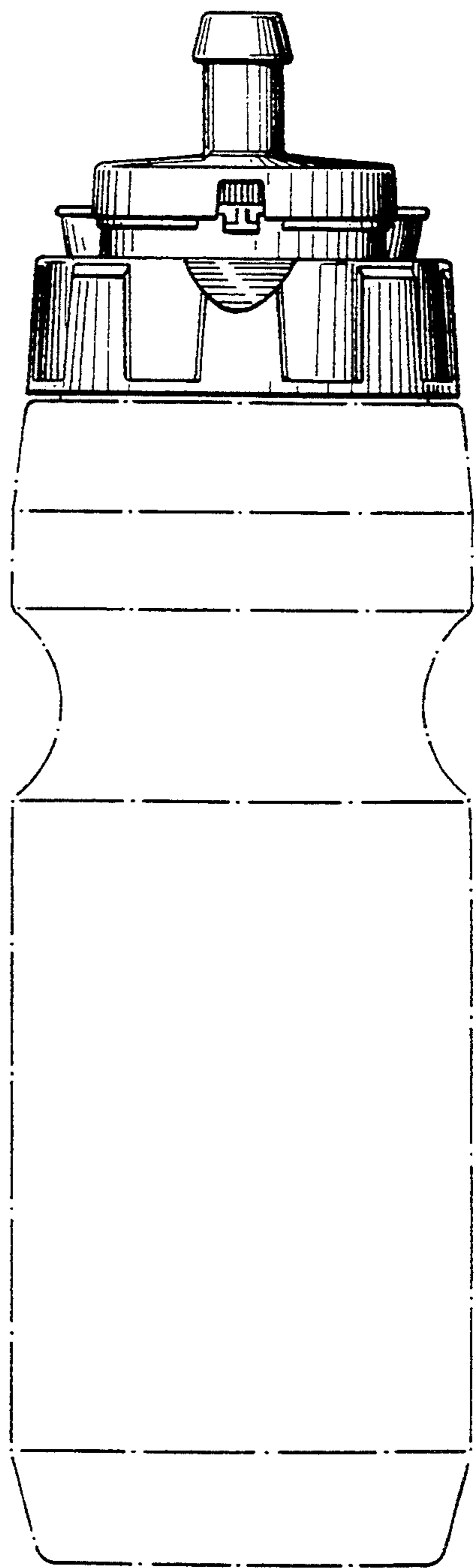


FIG. 8

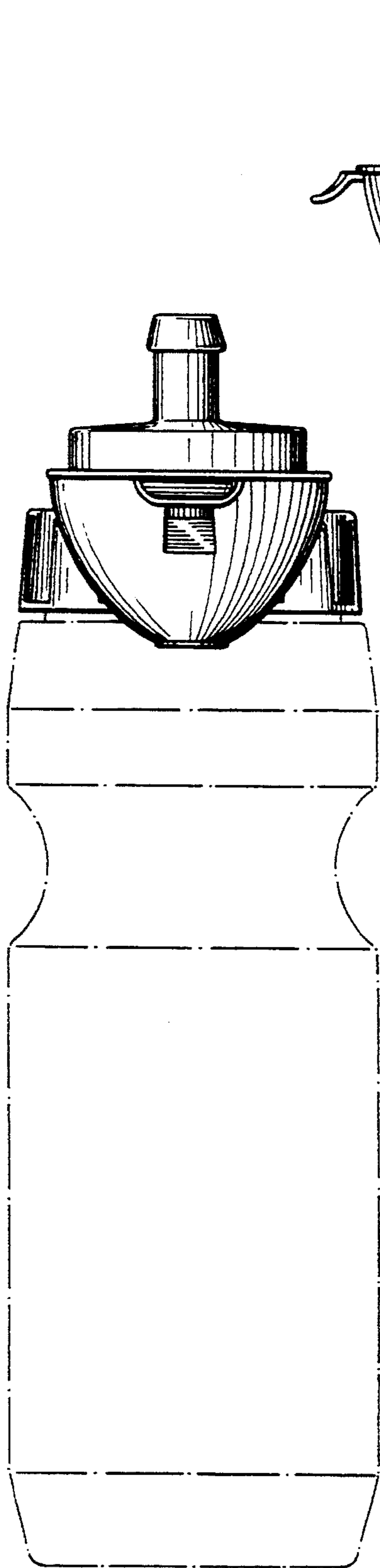


FIG. 10

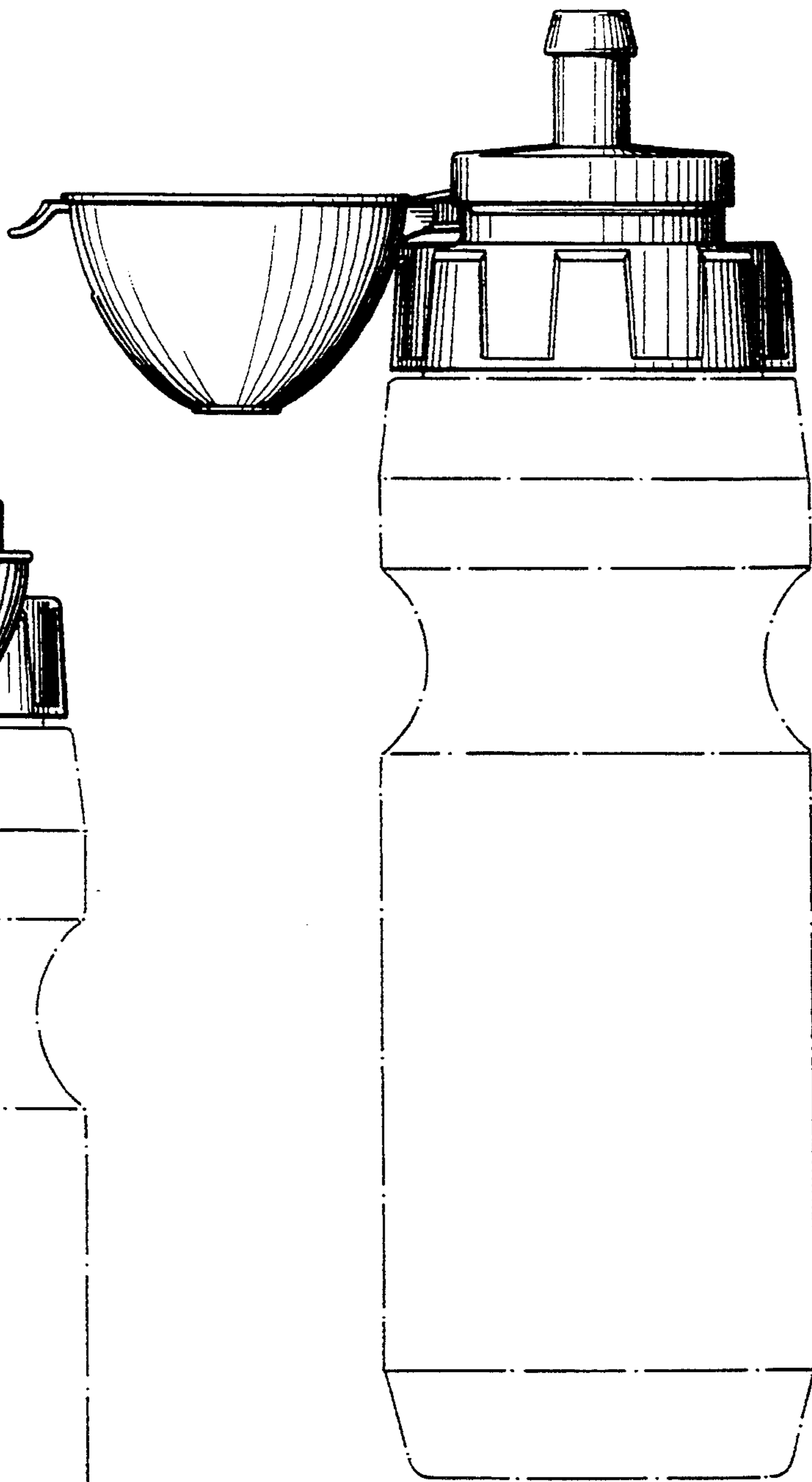


FIG. 9

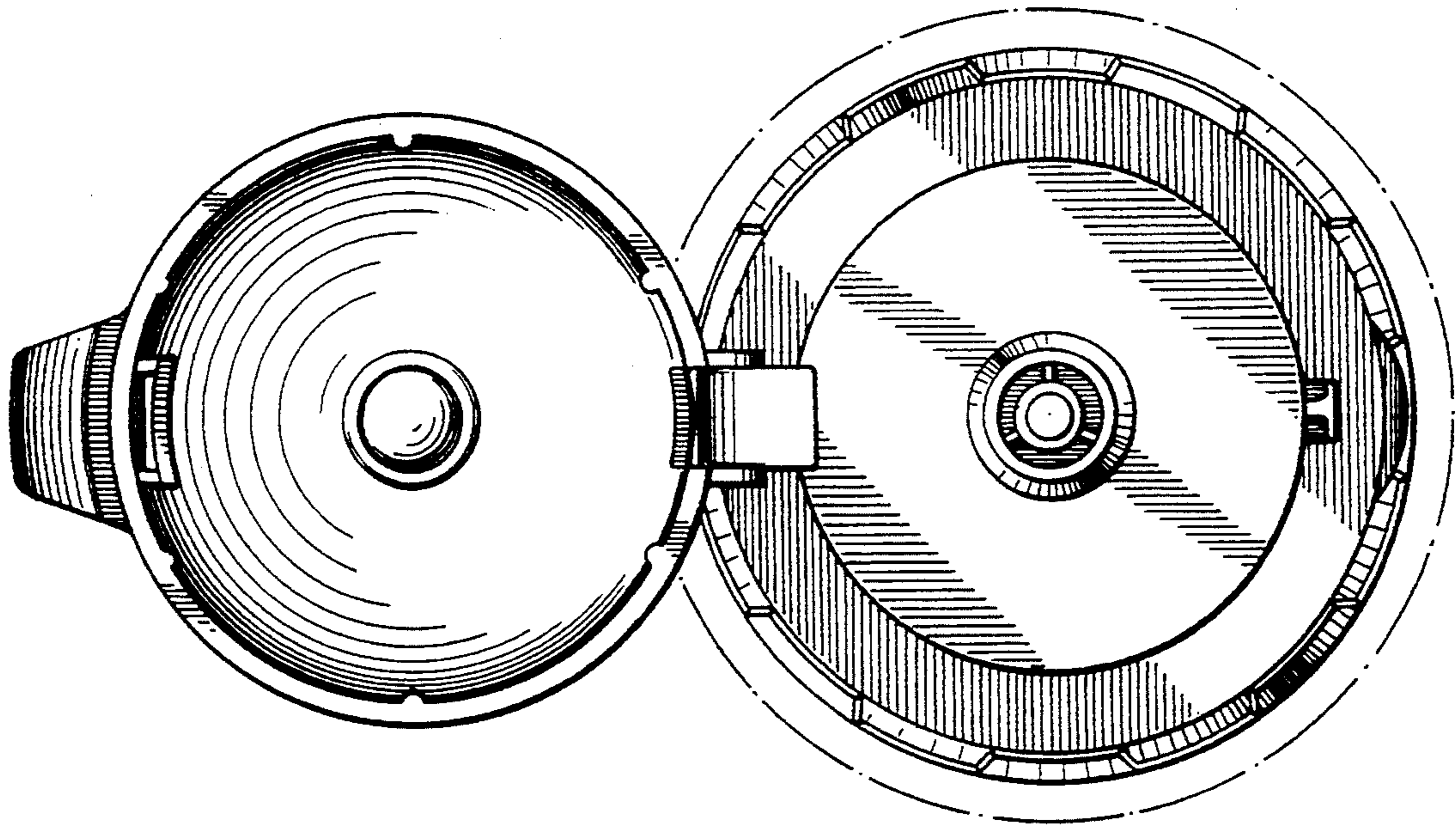


FIG. 11

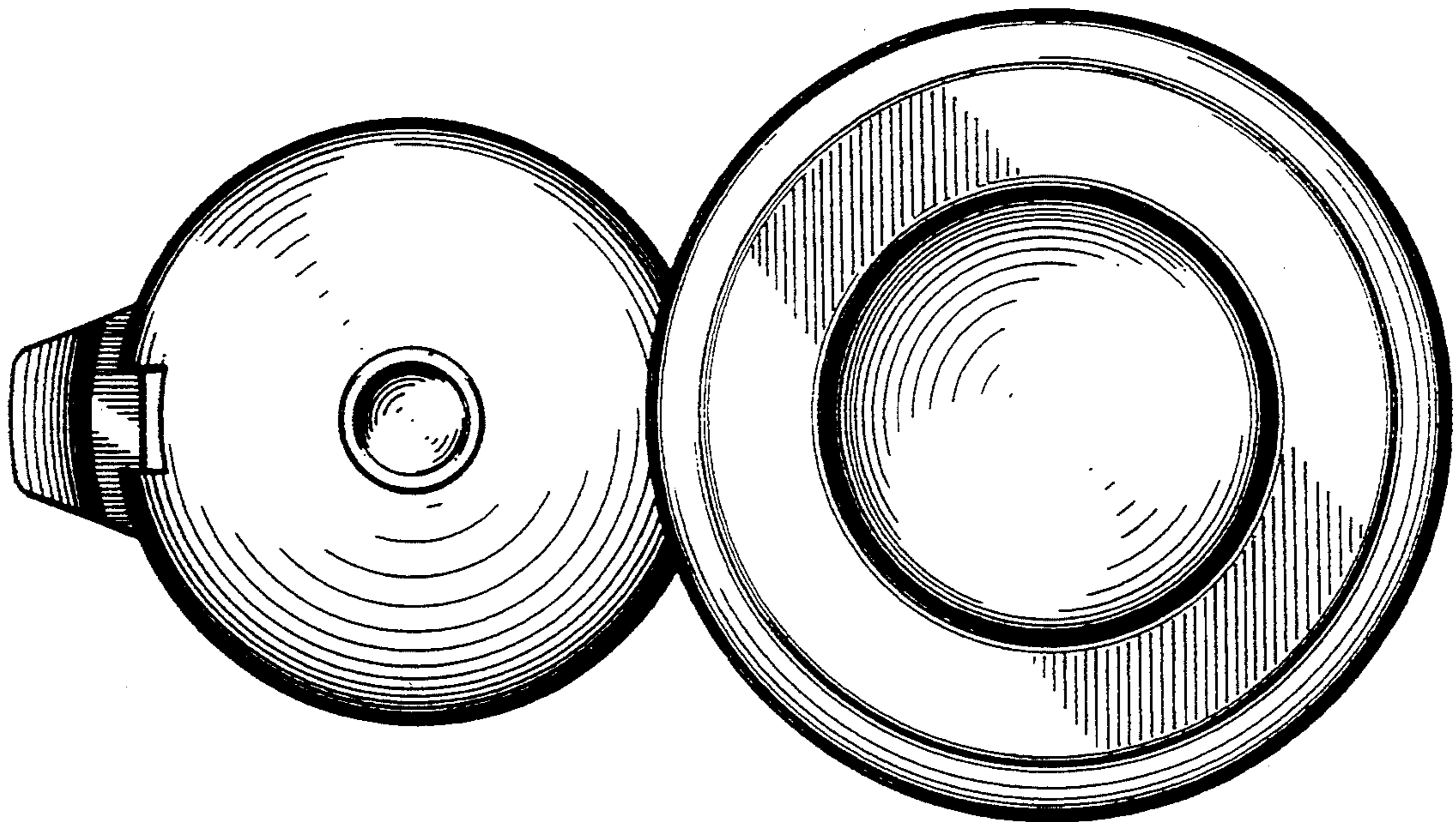


FIG. 12