



US00D358522S

United States Patent [19]

[11] Patent Number: **Des. 358,522**

Weisburn et al.

[45] Date of Patent: **** May 23, 1995**

[54] **COMPACT DISC STORAGE CONTAINER**

5,341,943 8/1994 Fraser 211/40
5,344,028 9/1994 Angele 211/40

[75] Inventors: **James T. Weisburn**, Massillon;
Christopher G. Gallagher, Akron,
both of Ohio

OTHER PUBLICATIONS

Home Decorator Collection Catalogue, p. 22.

[73] Assignee: **Alpha Enterprises, Inc.**, North
Canton, Ohio

Primary Examiner—Alan P. Douglas

Assistant Examiner—S. Snapp

[**] Term: **14 Years**

Attorney, Agent, or Firm—Michael Sand Co.

[21] Appl. No.: **25,451**

[57] CLAIM

[22] Filed: **Jul. 1, 1994**

The ornamental design for a compact disc storage container, as shown and described.

[52] U.S. Cl. **D6/629; D6/407**

[58] Field of Search **D6/396, 405, 407, 626,**
D6/629, 630, 462, 466, 467, 468, 477, 478, 479;
D14/120, 121; D19/8, 27, 75, 76, 91; 206/387;
211/40, 41, 42

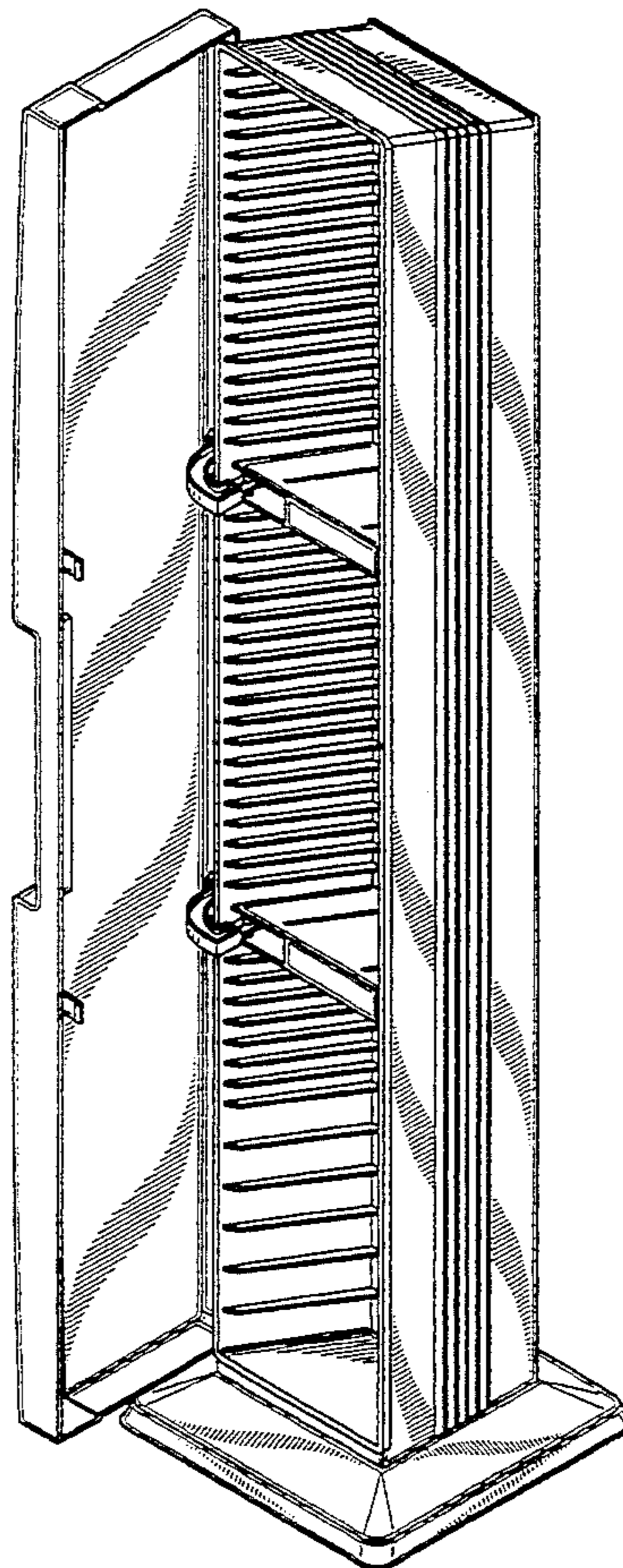
DESCRIPTION

[56] References Cited

U.S. PATENT DOCUMENTS

D. 318,580	7/1991	Sjostrom	D6/407
D. 337,919	8/1993	van der Molen	D6/407
D. 342,395	12/1993	Huang	D6/630 X
D. 346,510	5/1994	Long et al.	D6/407
D. 351,512	10/1994	Thielen	D6/407
D. 353,376	12/1994	Fukutomi	D6/407 X
5,178,284	1/1993	Wojewoda	211/40
5,301,819	4/1994	Moeken	211/40
5,314,077	5/1994	Theosabrata	211/40

FIG. 1 is a perspective view of a compact disc storage container;
 FIG. 2 is a front elevational view thereof;
 FIG. 3 is a right side elevational view thereof, the left side being a mirror image;
 FIG. 4 is a top plan view thereof;
 FIG. 5 is a bottom plan view thereof;
 FIG. 6 is a rear elevational view thereof;
 FIG. 7 is a perspective view similar to FIG. 1 of a modified embodiment of the compact disc storage container having a closure door shown in partially open position; and,
 FIG. 8 is a perspective view of the embodiment of FIG. 7 with the door shown in closed position.



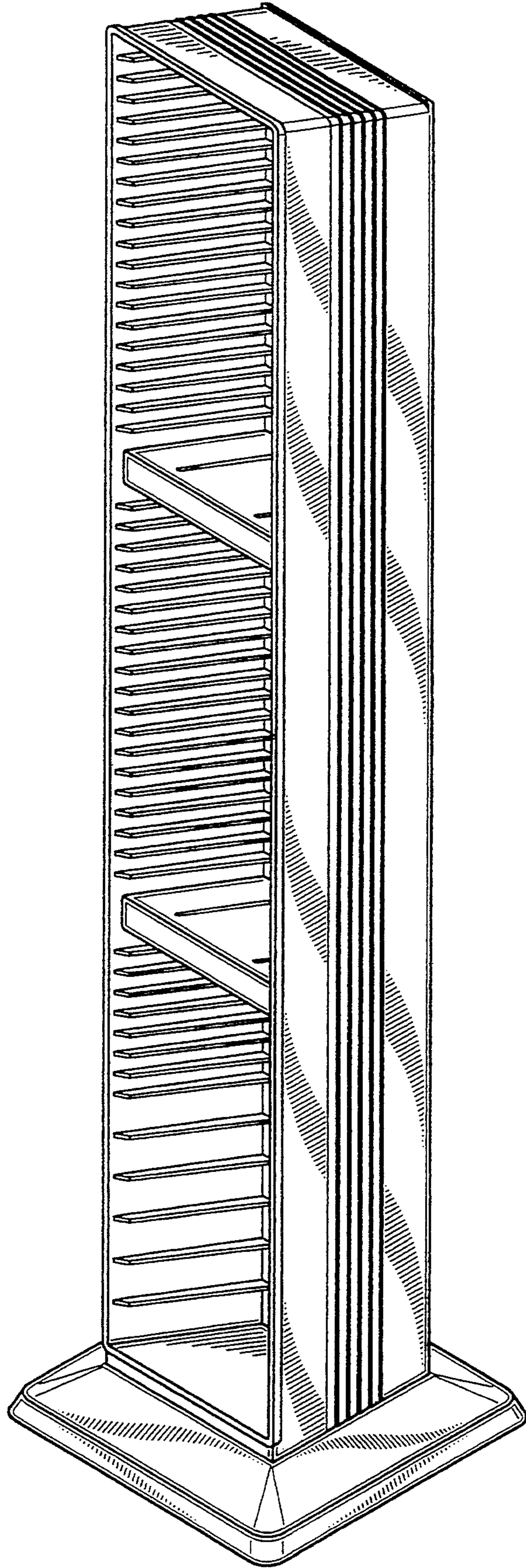


FIG-1

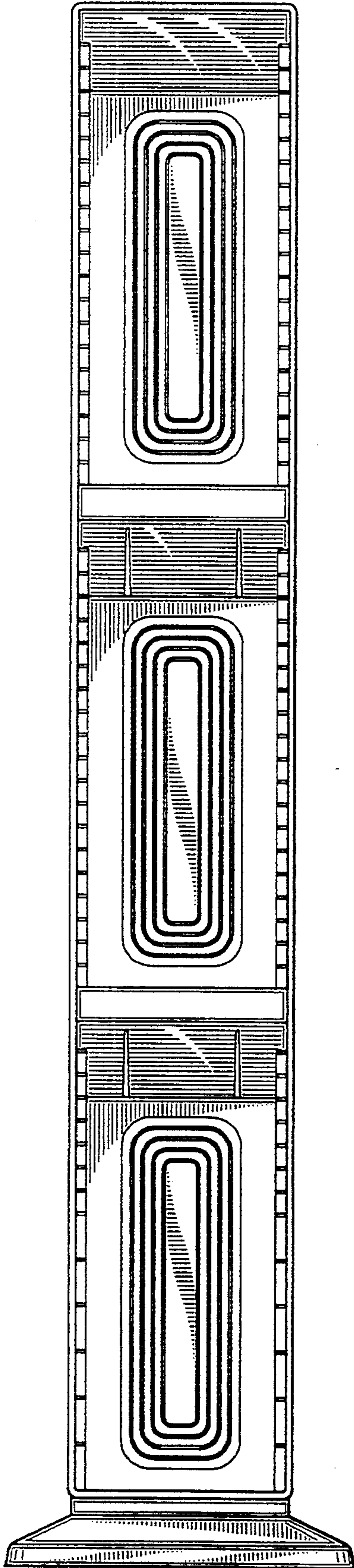


FIG-2

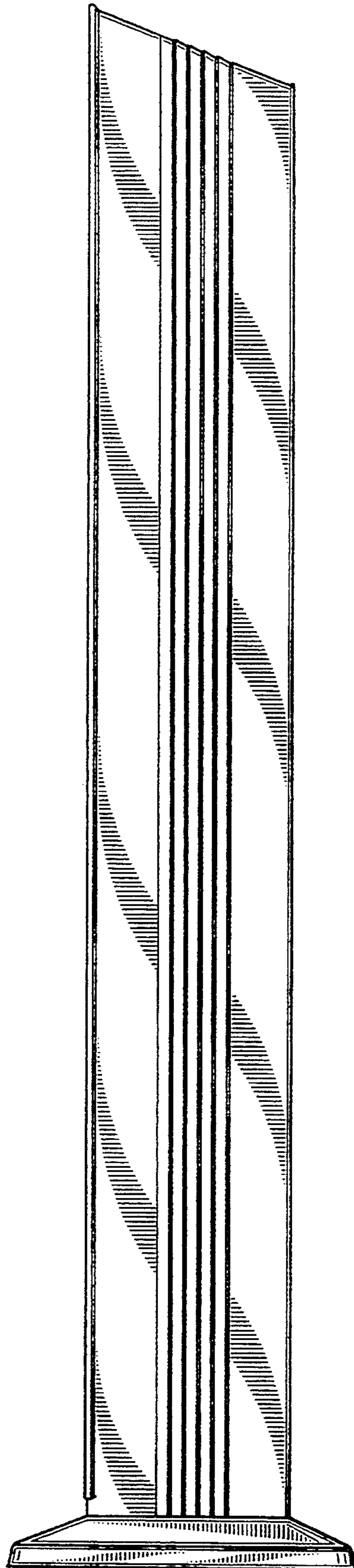


FIG-3

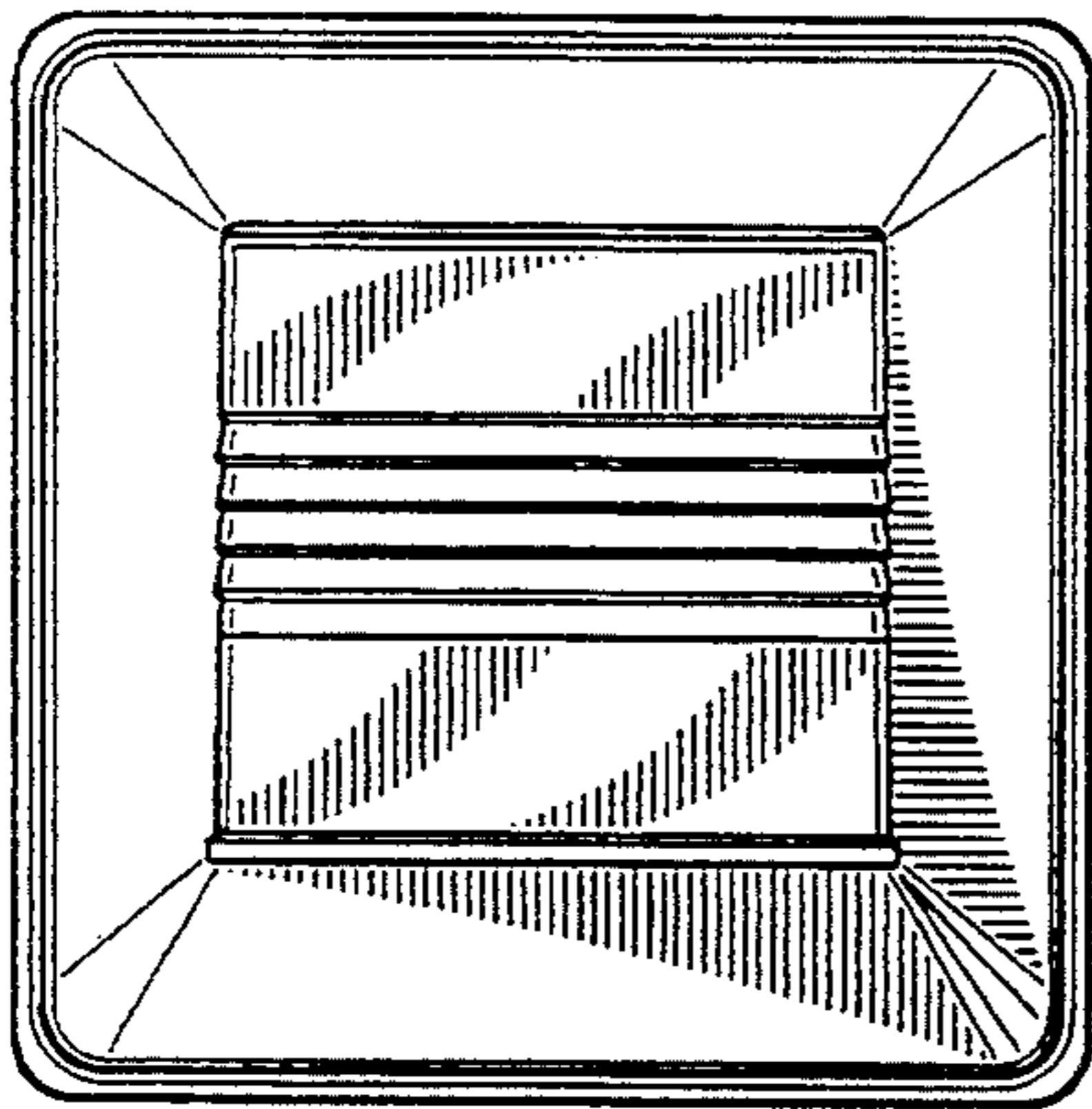


FIG-4

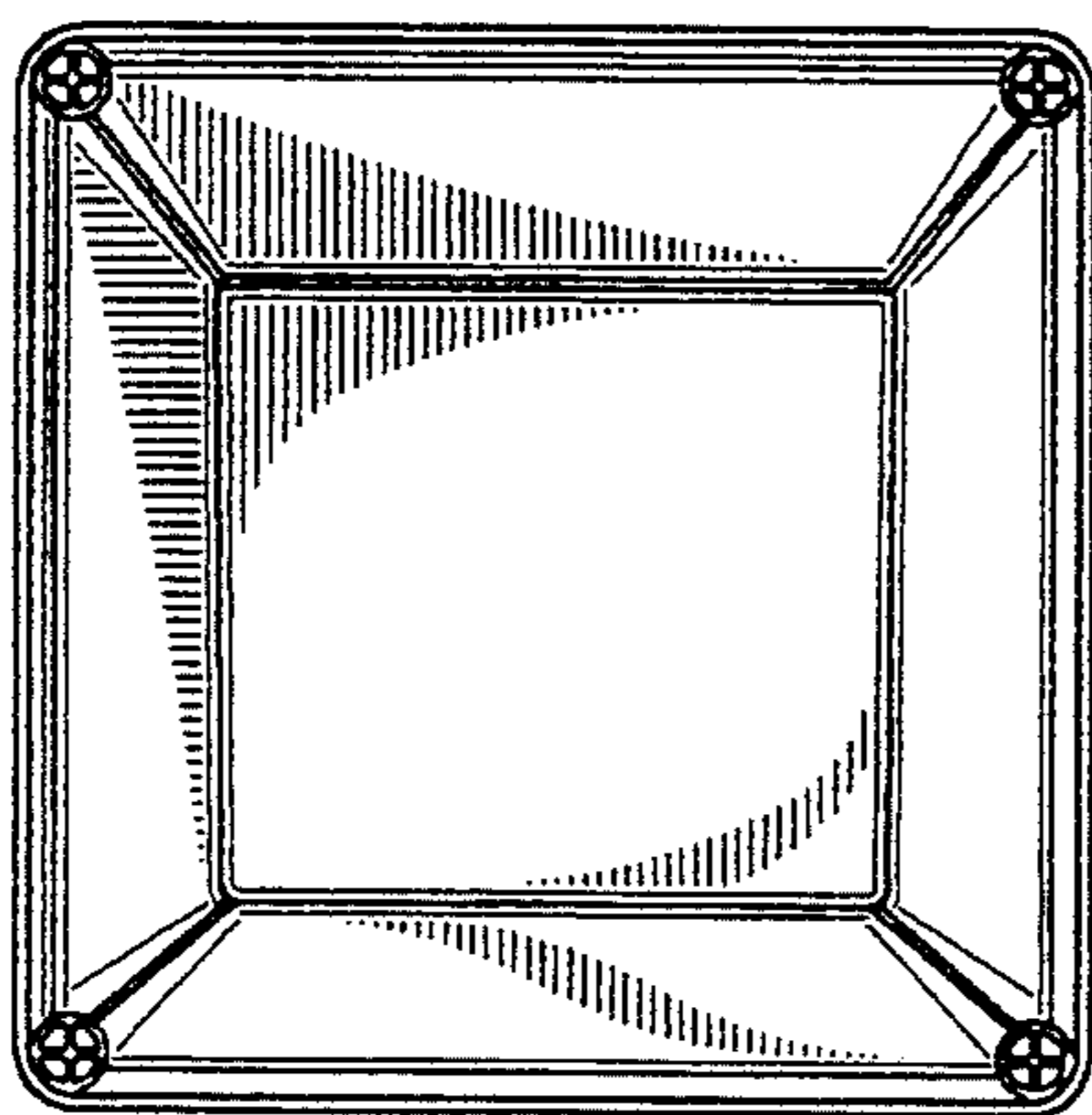


FIG-5

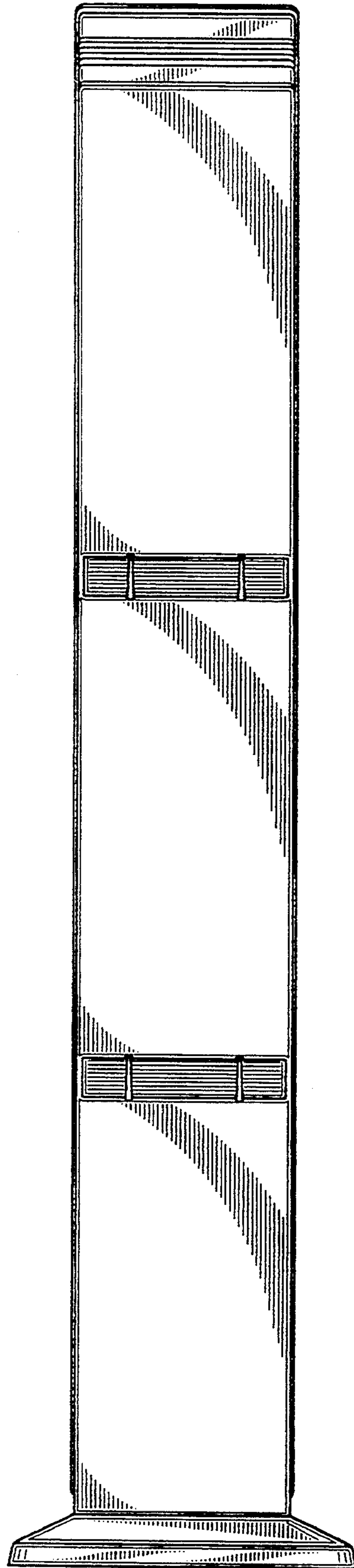


FIG-6

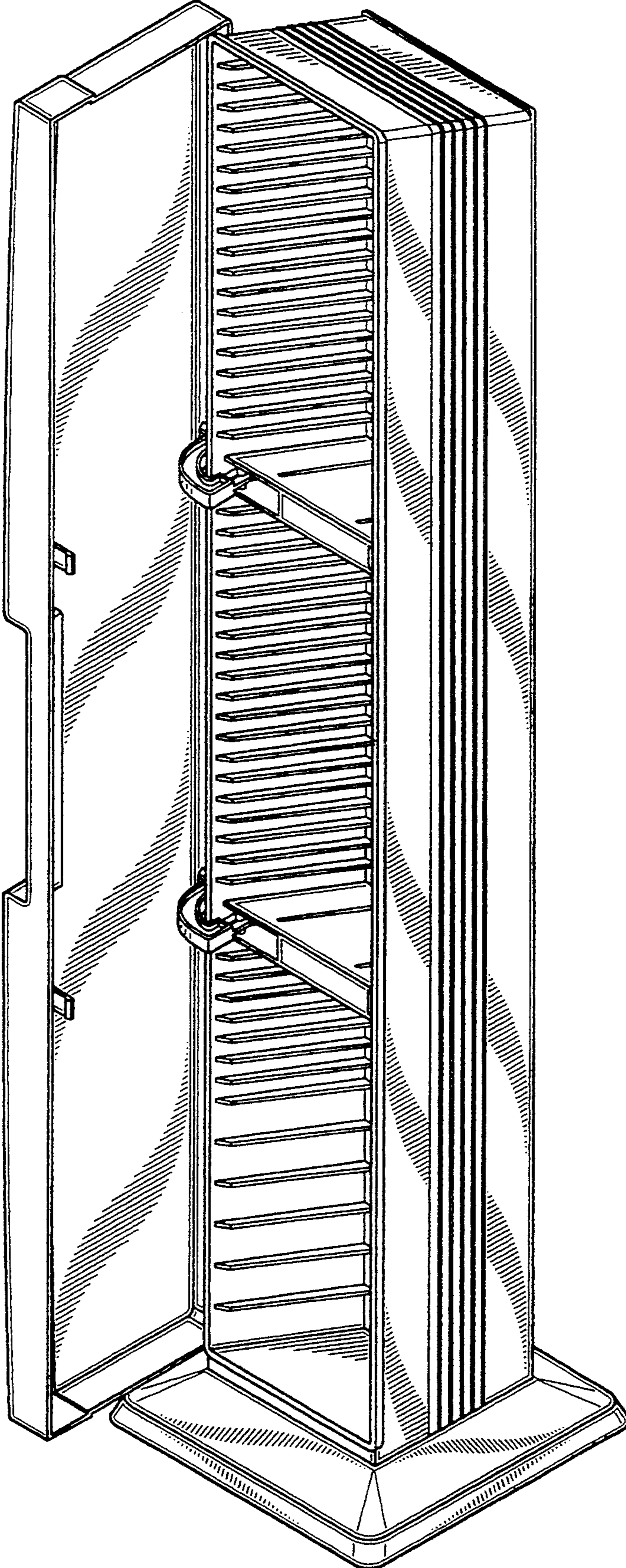


FIG-7

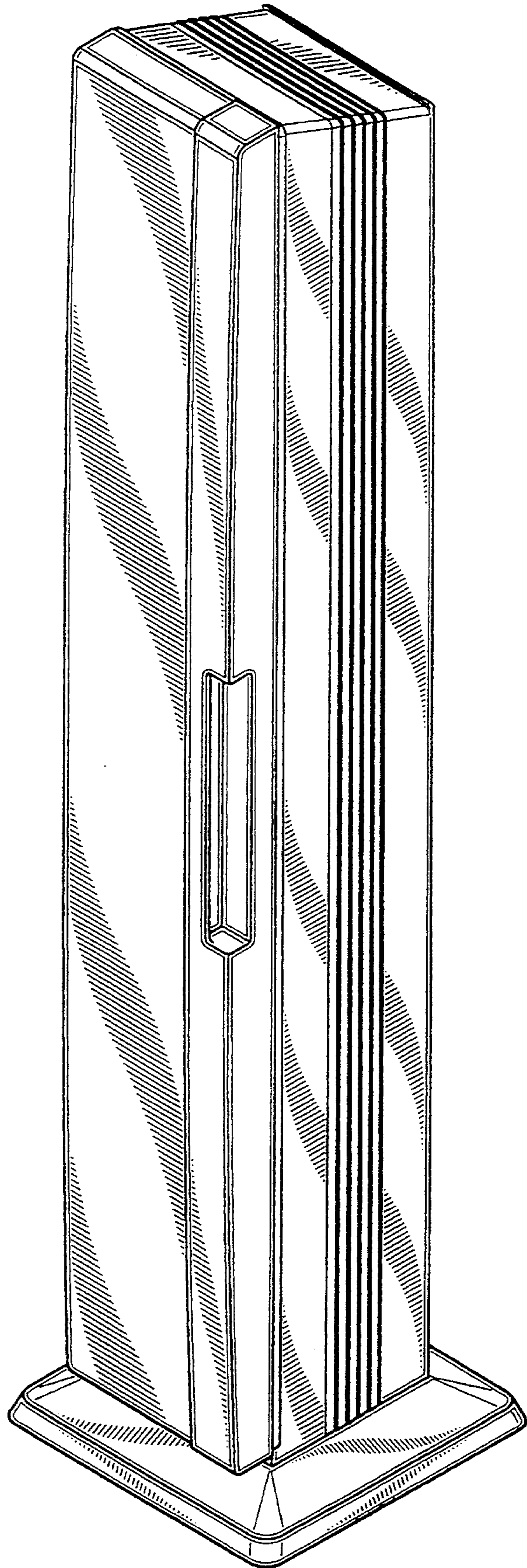


FIG-8