



US00D358519S

# United States Patent [19]

[11] Patent Number: **Des. 358,519**

**Donnelly**

[45] Date of Patent: **\*\* May 23, 1995**

## [54] MINIATURE BASEBALL BAT STAND

D. 324,793 3/1992 Johnson ..... D6/552

[76] Inventor: **J. Paul Donnelly**, 8542 Beech,  
Sterling Heights, Mich. 48312

*Primary Examiner*—Brian N. Vinson  
*Attorney, Agent, or Firm*—Young, MacFarlane & Wood

[\*\*] Term: **14 Years**

### [57] CLAIM

[21] Appl. No.: **15,595**

The ornamental design for the miniature baseball bat stand, as shown an described.

[22] Filed: **Nov. 22, 1993**

### DESCRIPTION

[52] U.S. Cl. .... **D6/552**

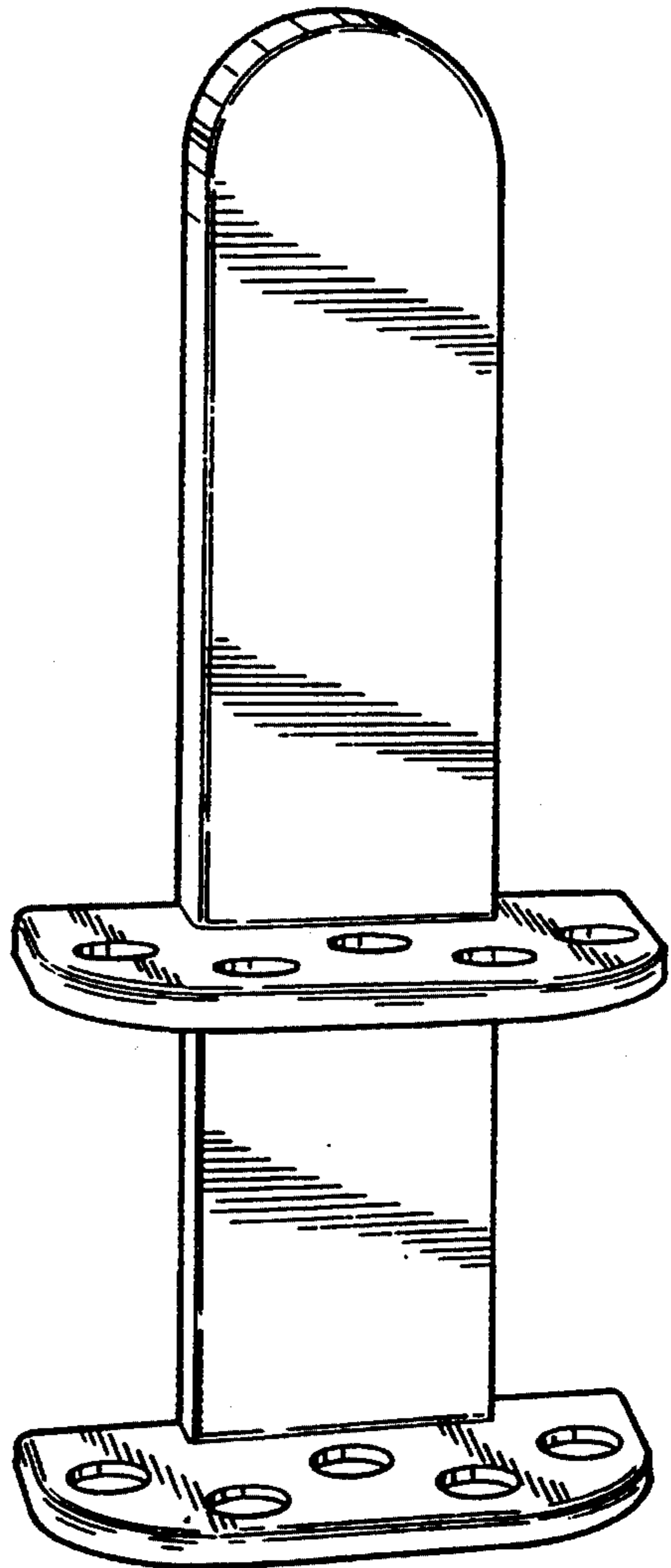
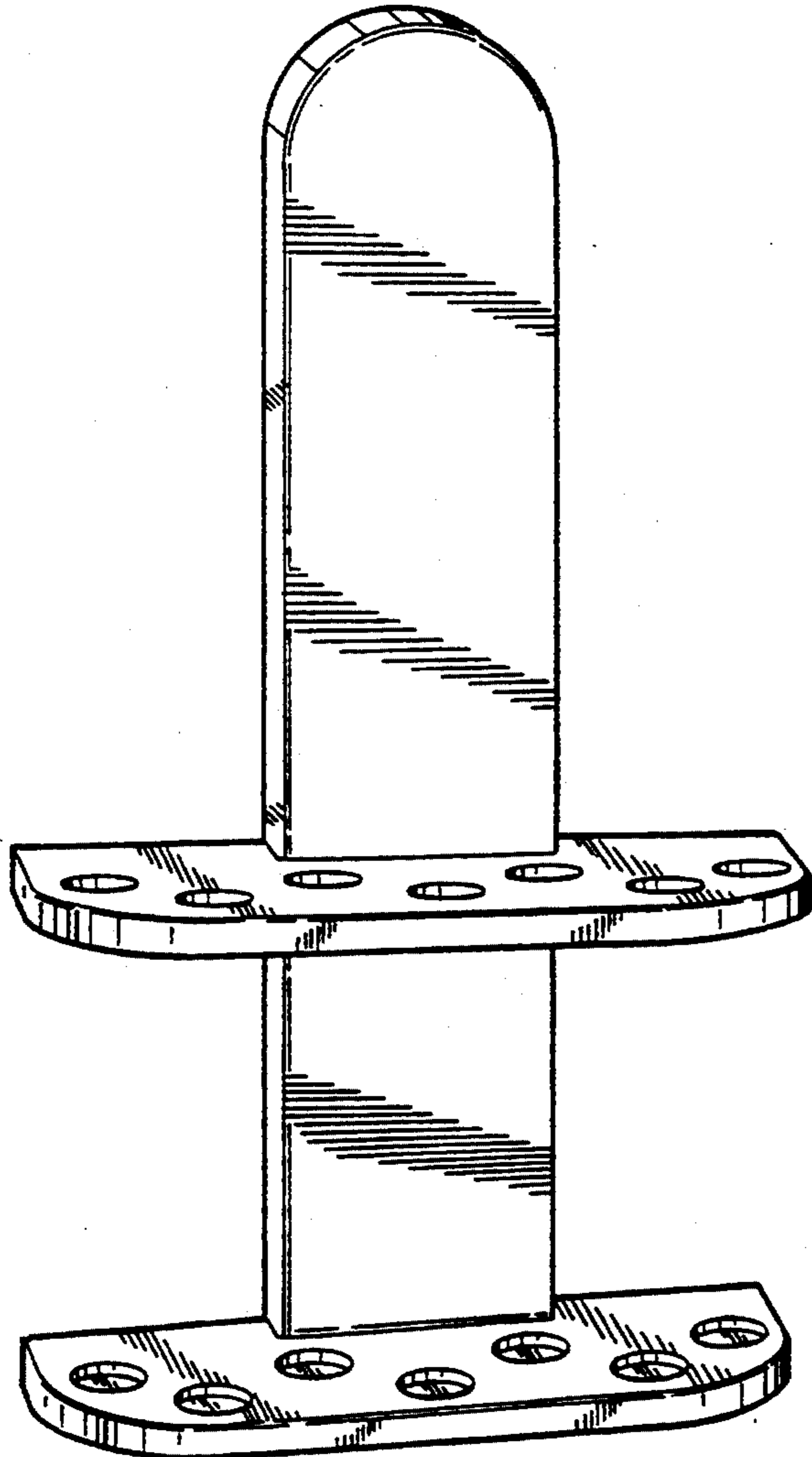
[58] Field of Search ..... D6/552; 211/13, 60.1,  
211/62, 64-66, 70.5, 70.6, 70.7, 70.8

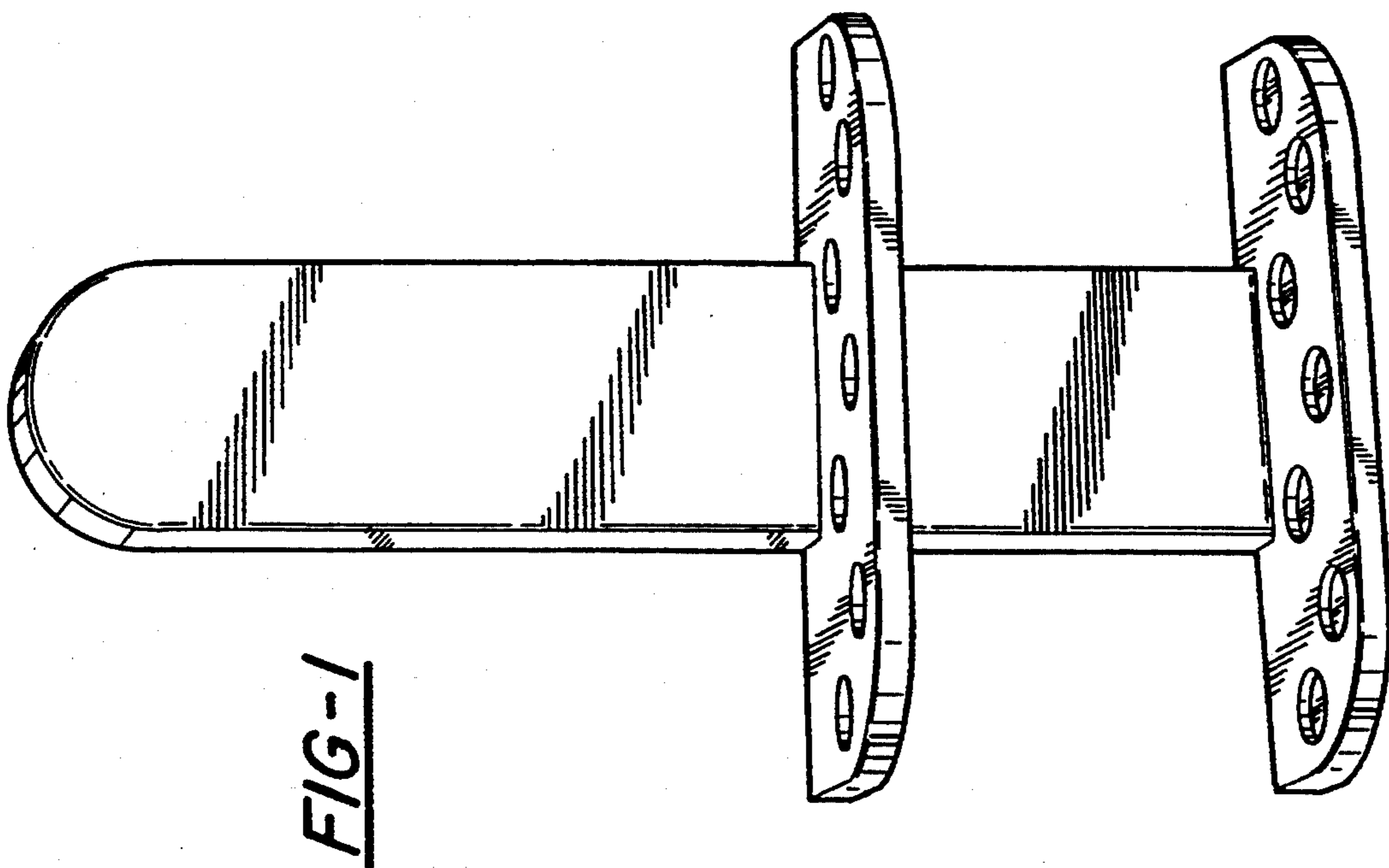
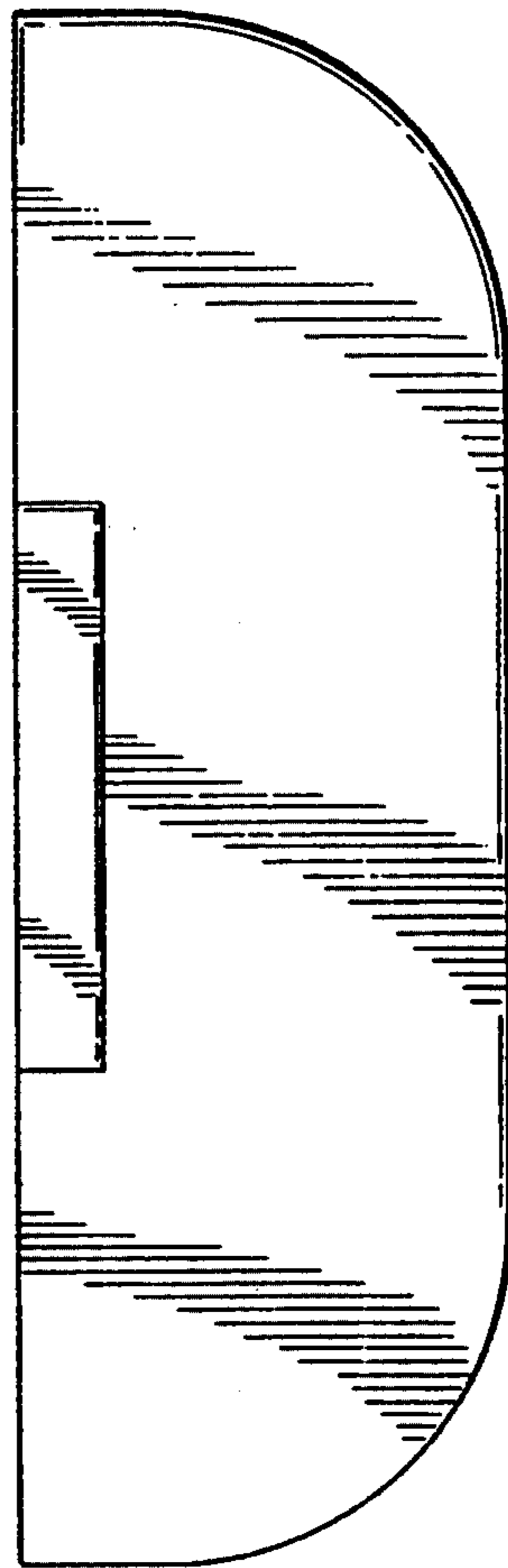
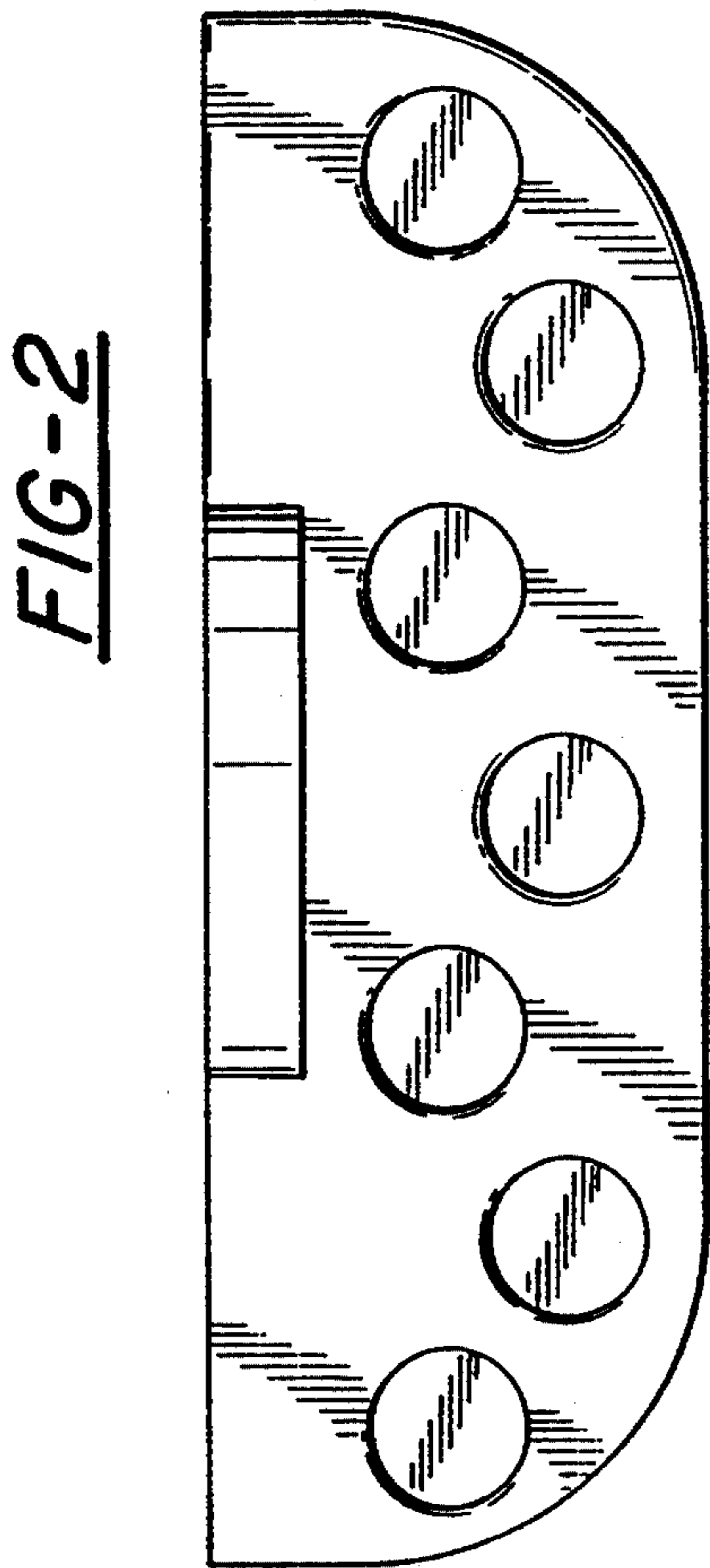
FIG. 1 is a top front and left perspective view of a miniature baseball bat stand showing my new design; FIG. 2 is an enlarged top plan view thereof; FIG. 3 is an enlarged bottom plan view thereof; FIG. 4 is an enlarged left side elevational view thereof, the right side being a mirror image of that shown; and, FIG. 5 is a top, front and left side perspective view of an alternate embodiment thereof, the difference residing in the width of the horizontal elements, and the number of apertures therein.

### [56] References Cited

#### U.S. PATENT DOCUMENTS

- D. 181,639 12/1957 Garner et al. .... D6/552
- D. 256,303 8/1980 Rieman ..... D6/552
- D. 272,787 2/1984 Rumbaugh ..... D6/552
- D. 320,325 10/1991 Barfield ..... D6/552





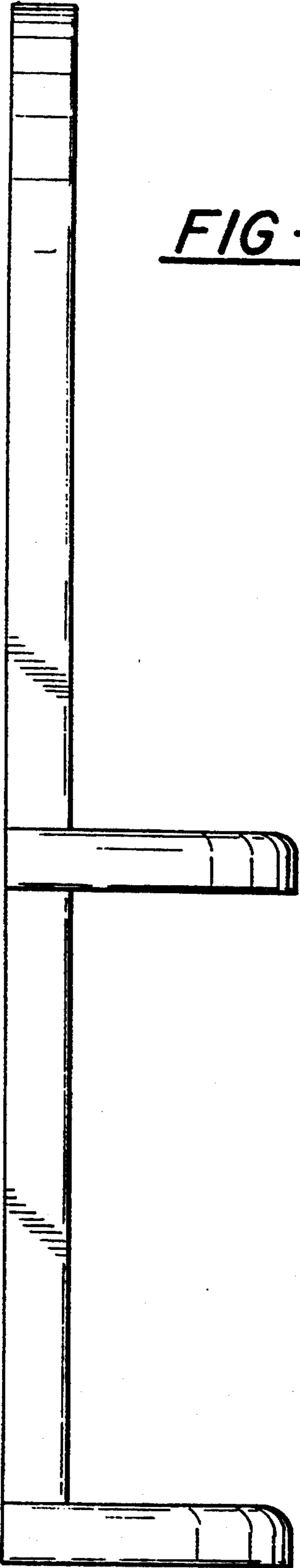


FIG-4

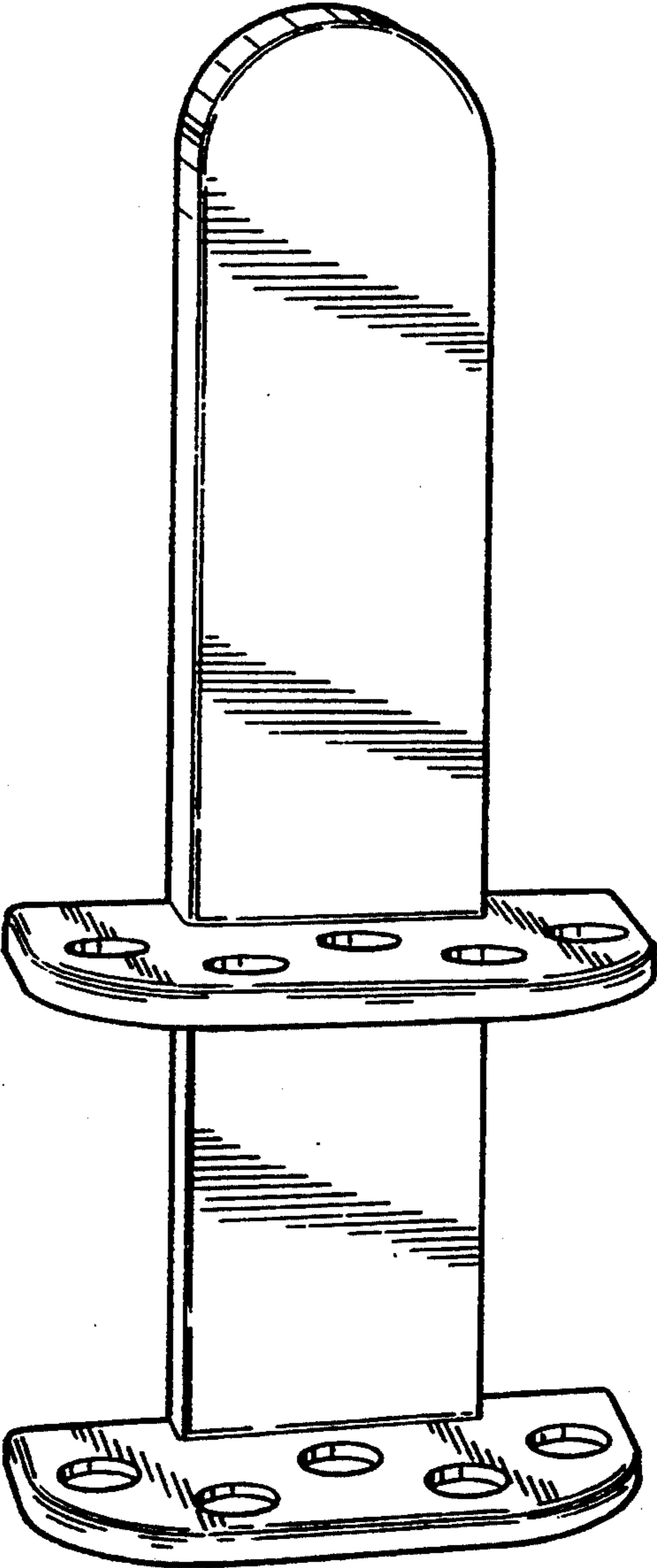


FIG-5