



US00D358516S

United States Patent [19]
Chen

[11] **Patent Number: Des. 358,516**

[45] **Date of Patent: ** May 23, 1995**

[54] **TOILET PAPER ROLL CONTAINER**
[75] Inventor: **Cheng-Chang Chen**, Taipei City,
Taiwan, Prov. of China
[73] Assignee: **Cheng-Feng Chen**, Taipei City,
Taiwan, Prov. of China
[**] Term: **14 Years**
[21] Appl. No.: **23,953**
[22] Filed: **Jun. 3, 1994**
[52] U.S. Cl. **D6/523**
[58] Field of Search **D6/515, 522-523;**
206/389; 312/34.1, 34.8

D. 351,520 10/1994 Frazier et al. D6/523
4,702,373 10/1987 Meade 206/389

Primary Examiner—Brian N. Vinson
Attorney, Agent, or Firm—Ladas & Parry

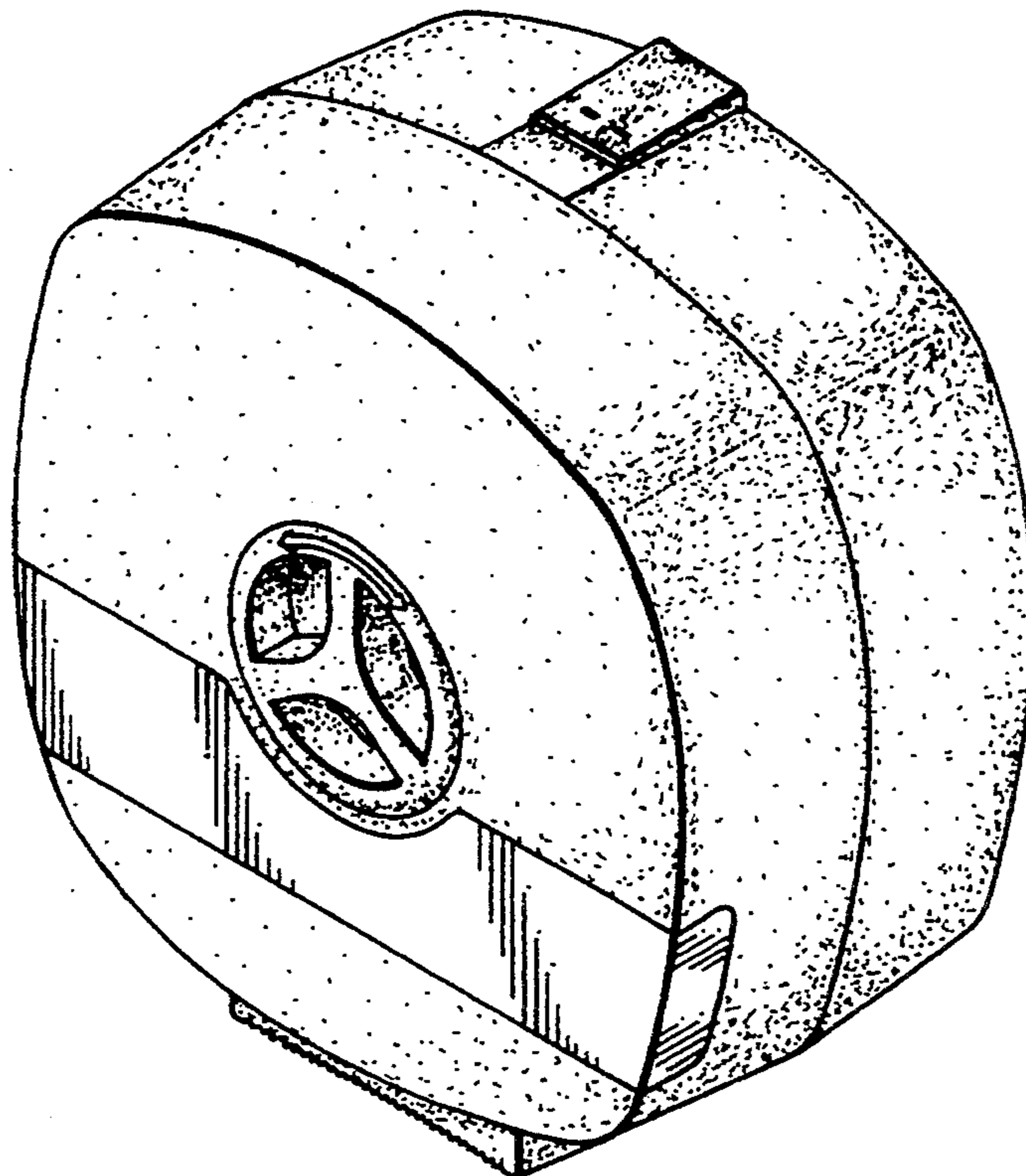
[57] **CLAIM**

The ornamental design for toilet paper roll container, as shown and described.

DESCRIPTION

FIG. 1 is a perspective view of toilet paper roll container showing my new design;
FIG. 2 is a front elevational view thereof;
FIG. 3 is a rear elevational view thereof;
FIG. 4 is a left side elevational view thereof;
FIG. 5 is a right side elevational view thereof;
FIG. 6 is a top plan view thereof; and,
FIG. 7 is a bottom plan view thereof.

[56] **References Cited**
U.S. PATENT DOCUMENTS
D. 326,973 6/1992 Froidevaux D6/523



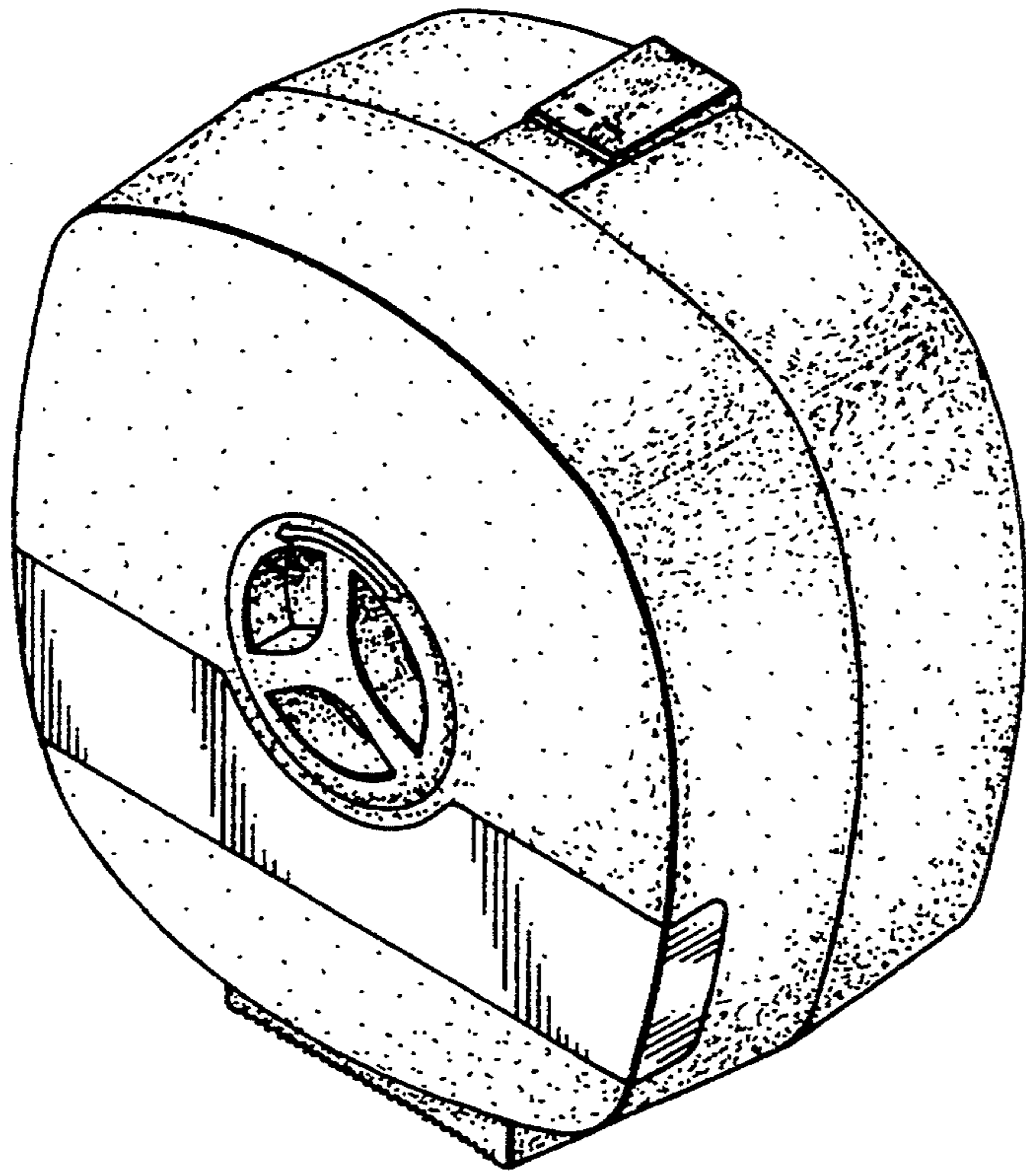


FIG. 1

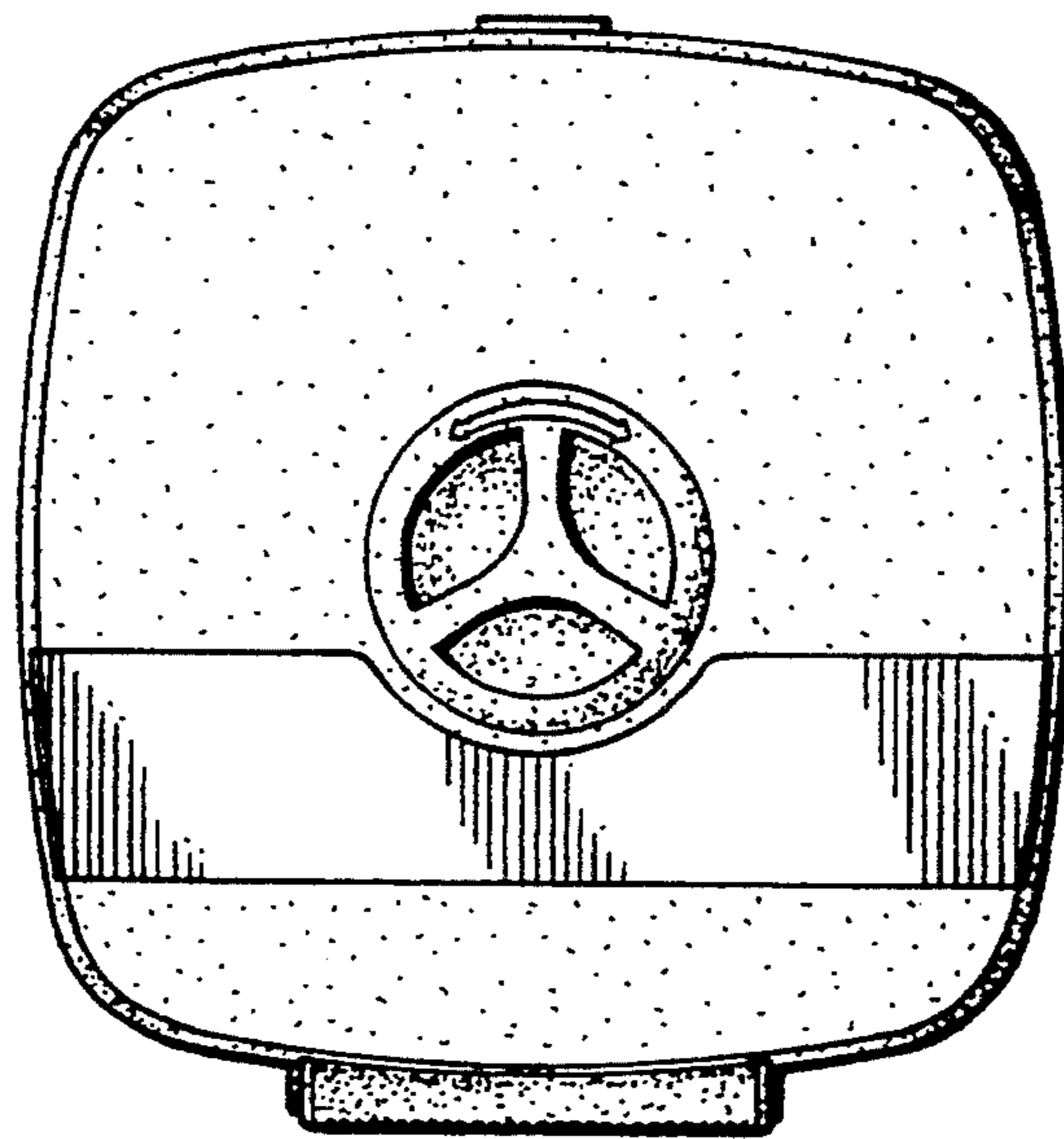


FIG. 2

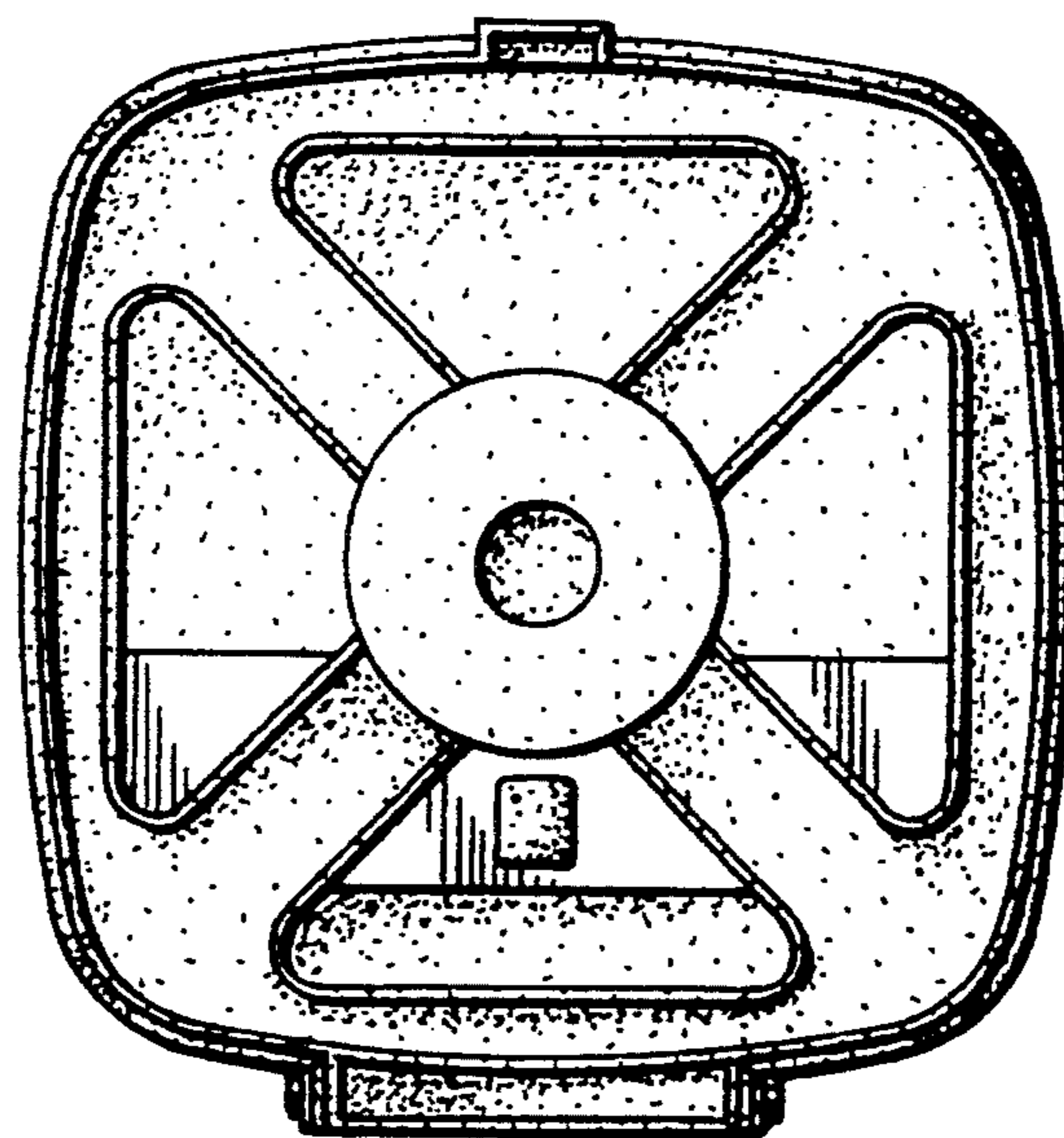


FIG. 3

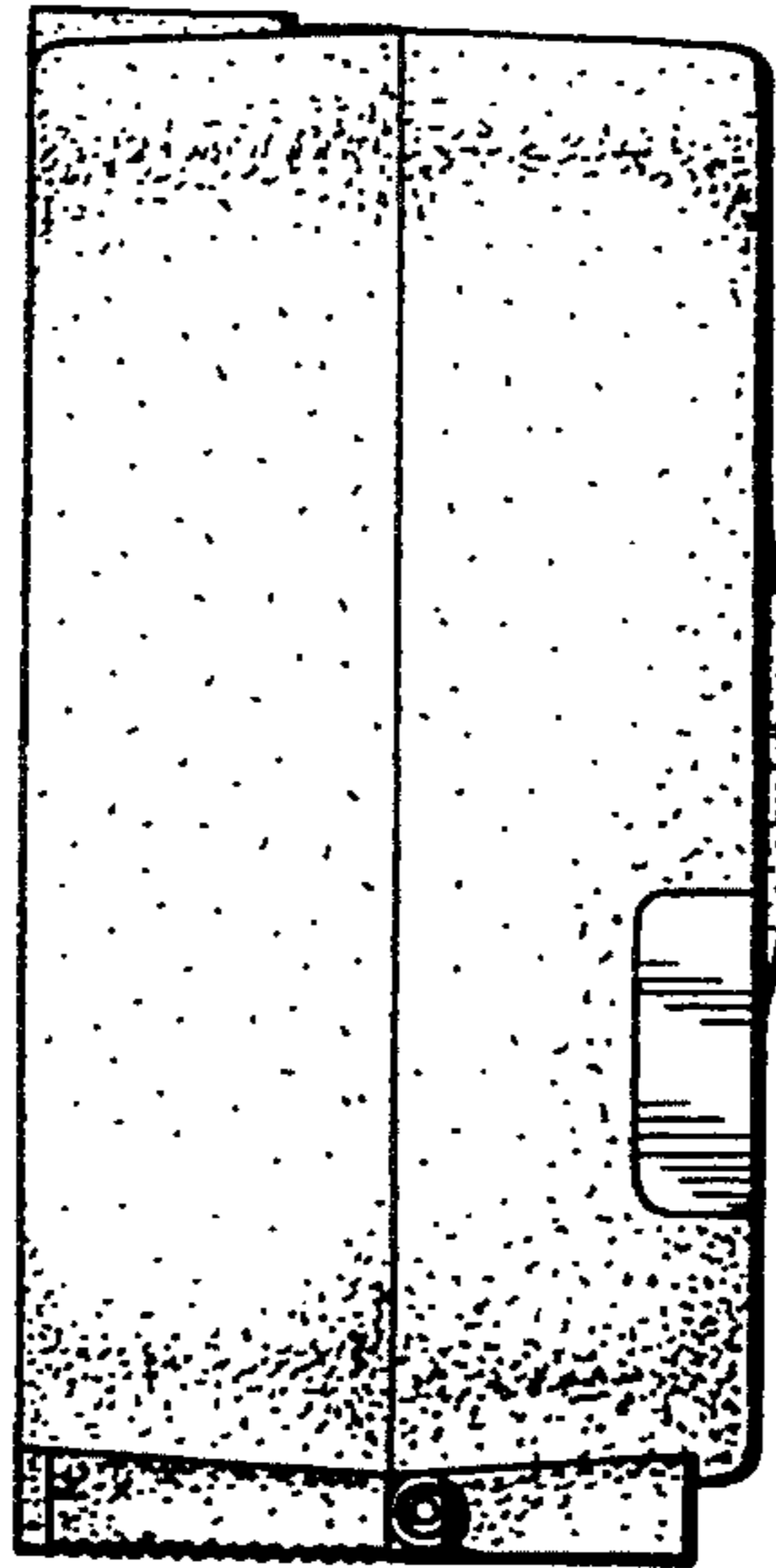


FIG. 4

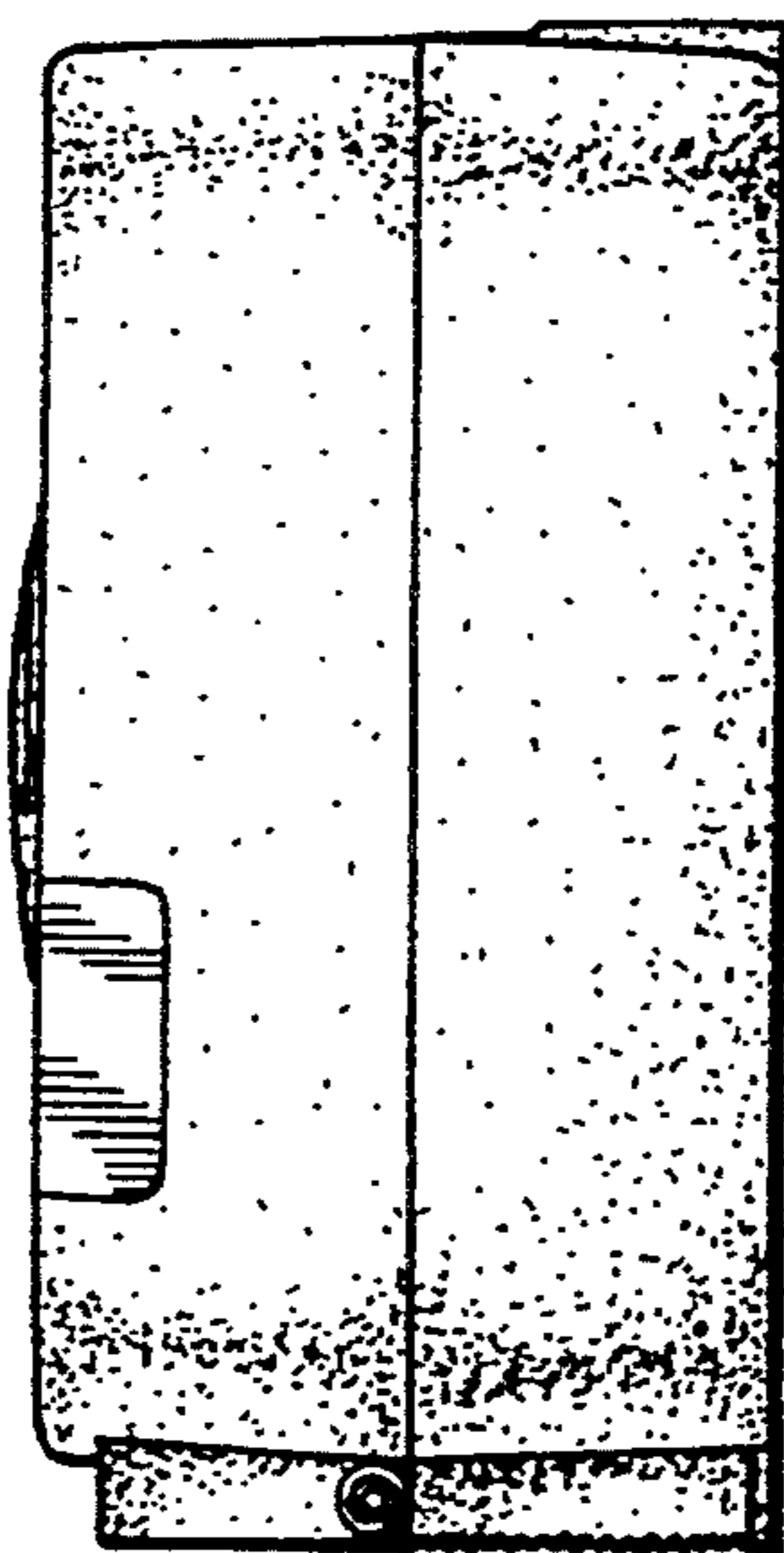


FIG. 5

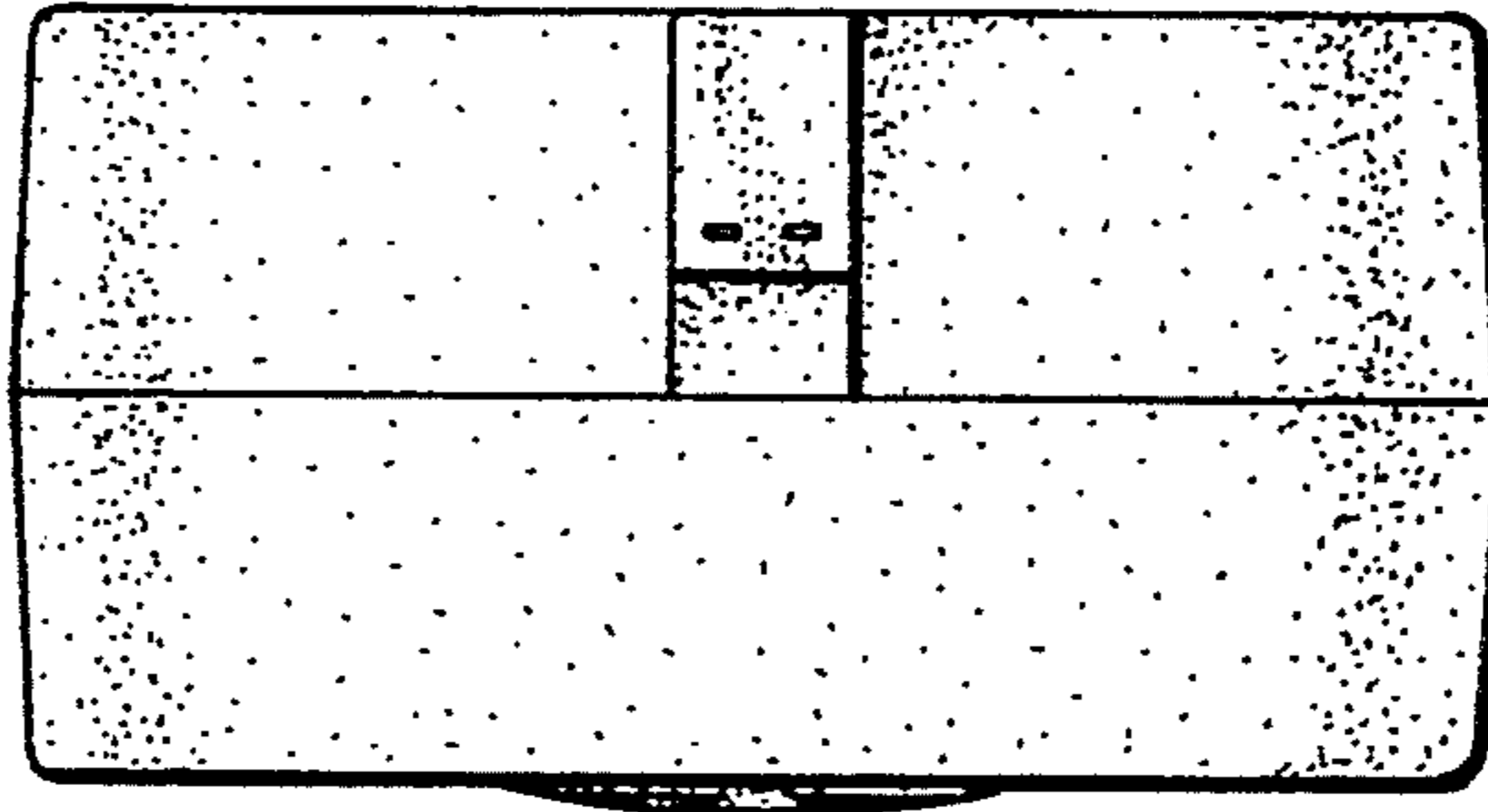


FIG. 6

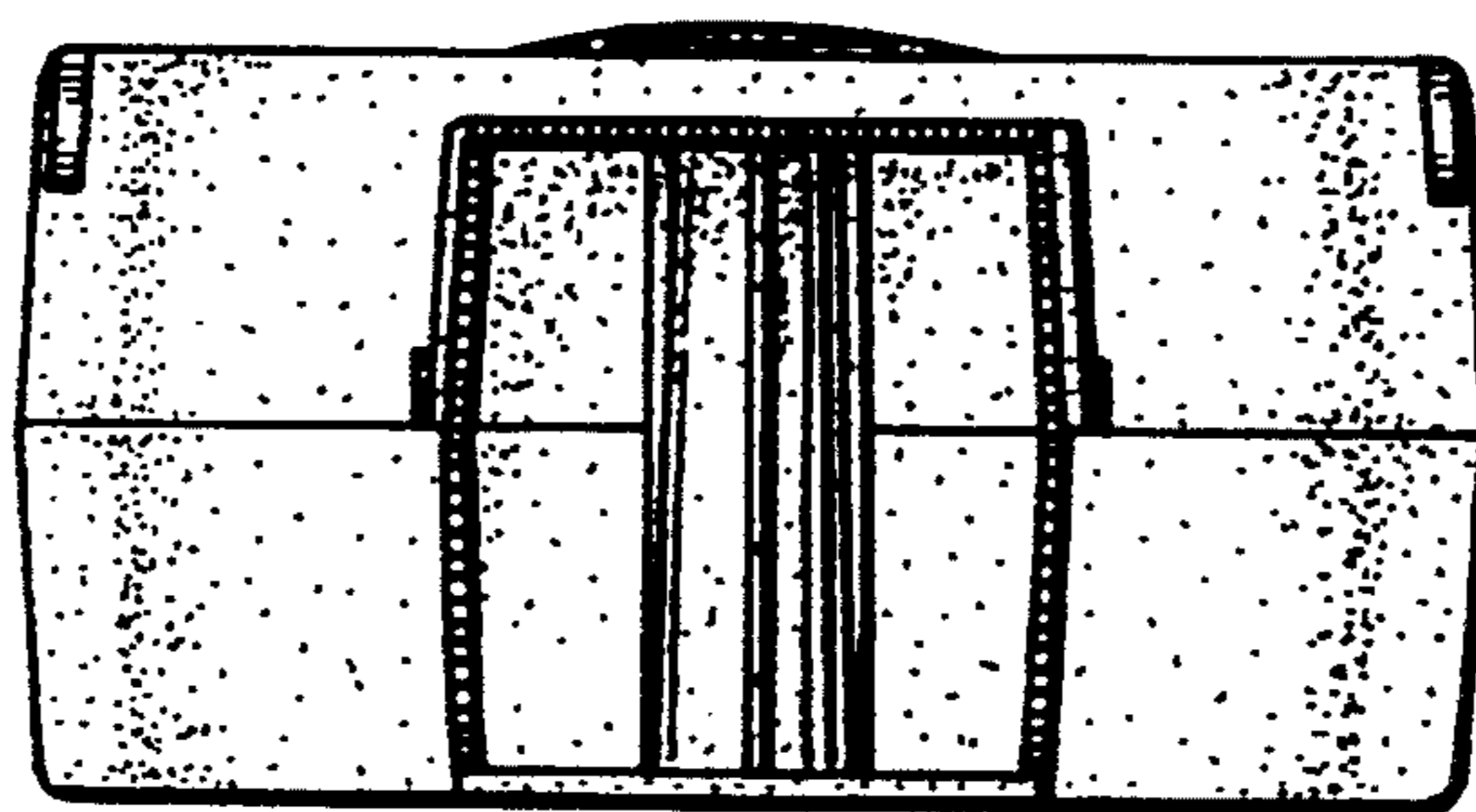


FIG. 7