



US00D358513S

# United States Patent [19]

[11] Patent Number: **Des. 358,513**

Hansen et al.

[45] Date of Patent: **\*\* May 23, 1995**

[54] **ADJUSTABLE STAND BASE**

### OTHER PUBLICATIONS

[76] Inventors: **Thomas C. Hansen**, 1842 Arbor Ave., Santa Rose, Calif. 95404; **Robert S. Hansen**, 7450 Calder Ave., Sebastopol, Calif. 95472

B. I. Furn Cat. p. 51, Rack #B 2nd from left.

*Primary Examiner*—Janice E. Seeger

[\*\*] Term: **14 Years**

### [57] CLAIM

The ornamental design for a adjustable stand base, as shown and described.

[21] Appl. No.: **4,398**

### DESCRIPTION

[22] Filed: **Feb. 4, 1993**

FIG. 1 is a perspective view of an adjustable stand base, showing my new design;

[52] U.S. Cl. .... **D6/495; D6/498**

FIG. 2 is a front elevational view thereof;

[58] Field of Search ..... **D6/491, 495-497, D6/475, 476, 468; 211/71, 72, 188.1; 248/150, 473**

FIG. 3 is a side elevational view, the opposite side being a mirror image thereof;

FIG. 4 is a rear elevational view thereof;

FIG. 5 is a top plan view thereof;

FIG. 6 is a bottom plan view thereof;

FIG. 7 is a perspective view showing the stand base in folded out condition;

FIG. 8 is a front elevational view thereof;

FIG. 9 is a side elevational view, the opposite side being a mirror image thereof;

FIG. 10 is a rear elevational view thereof;

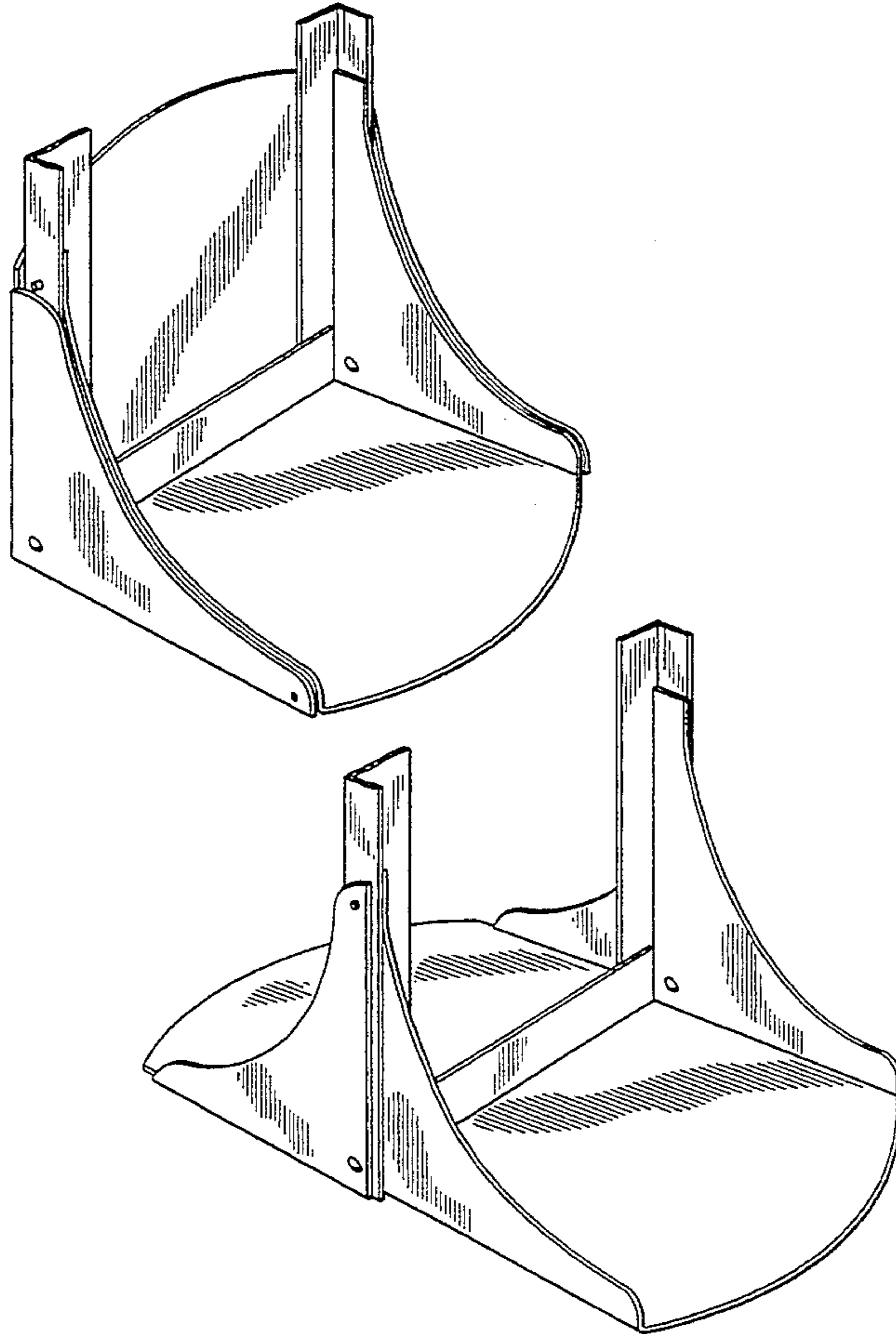
FIG. 11 is a top plan view thereof; and,

FIG. 12 is a bottom plan view thereof.

### [56] References Cited

#### U.S. PATENT DOCUMENTS

D. 54,640	3/1920	Lothrop .....	D6/495
D. 221,192	7/1971	Dogliotti .....	D6/498
D. 248,801	8/1978	Tafoya .....	D6/498
4,187,948	2/1980	Perrella .....	D6/498 X



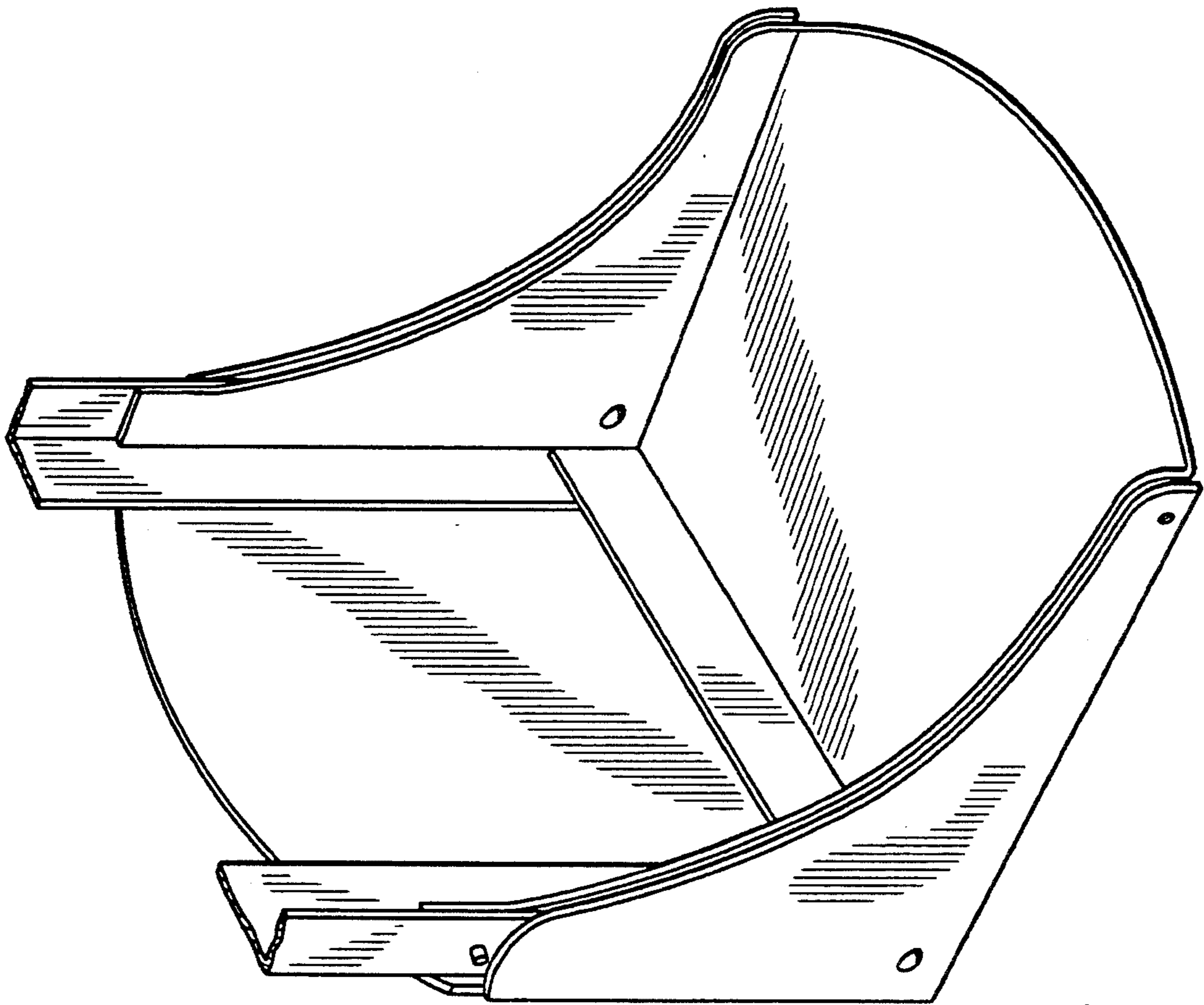
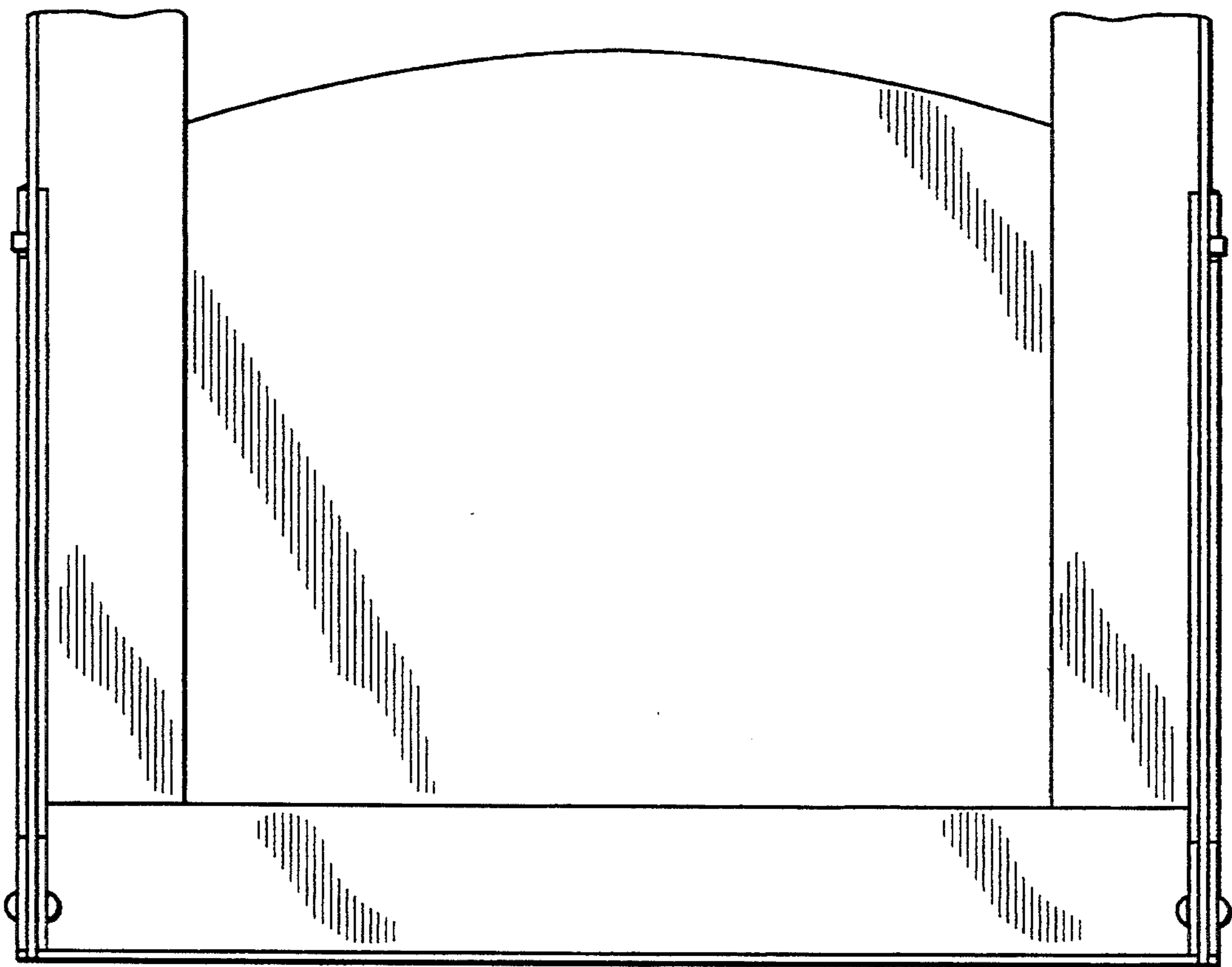


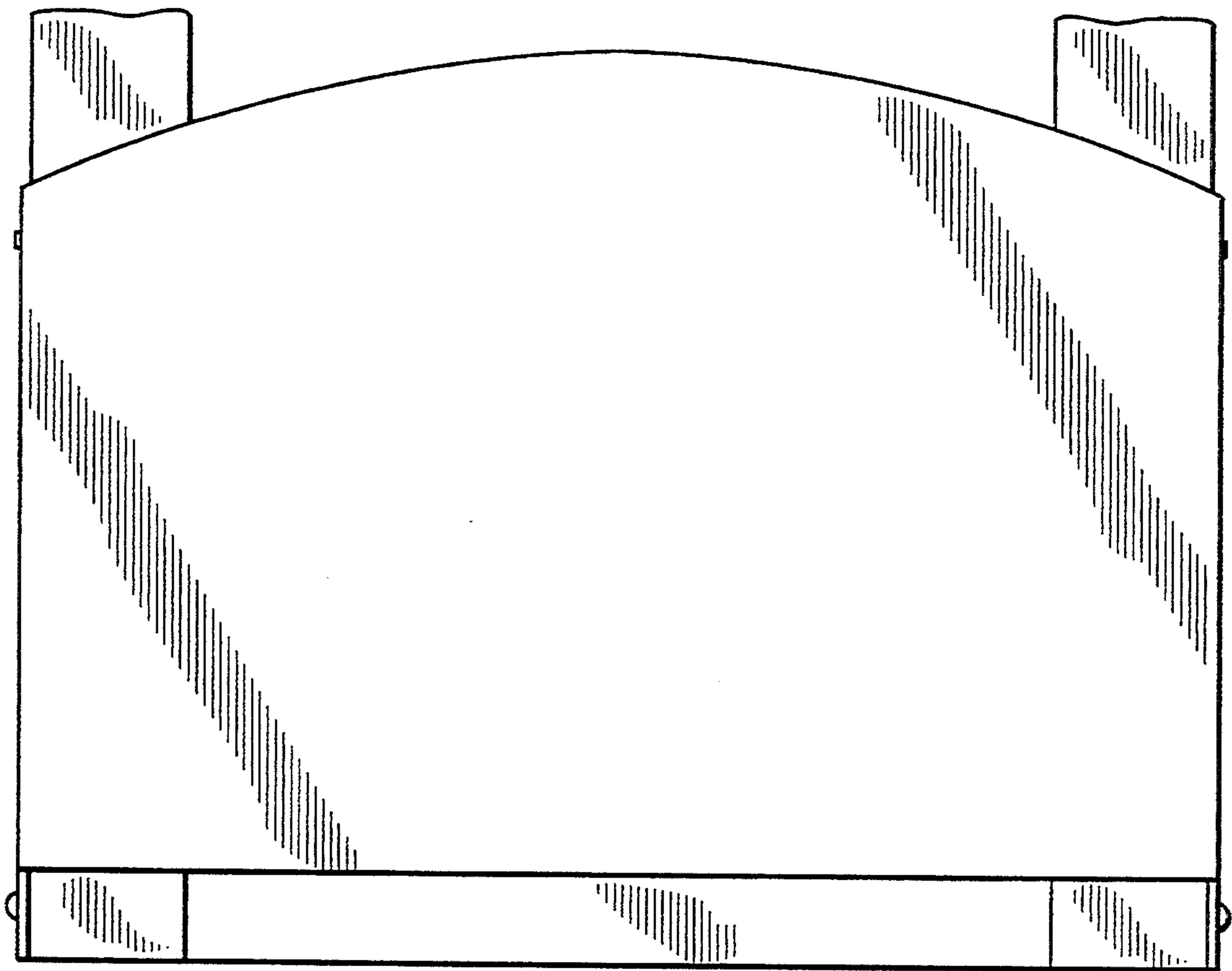
FIG. 1



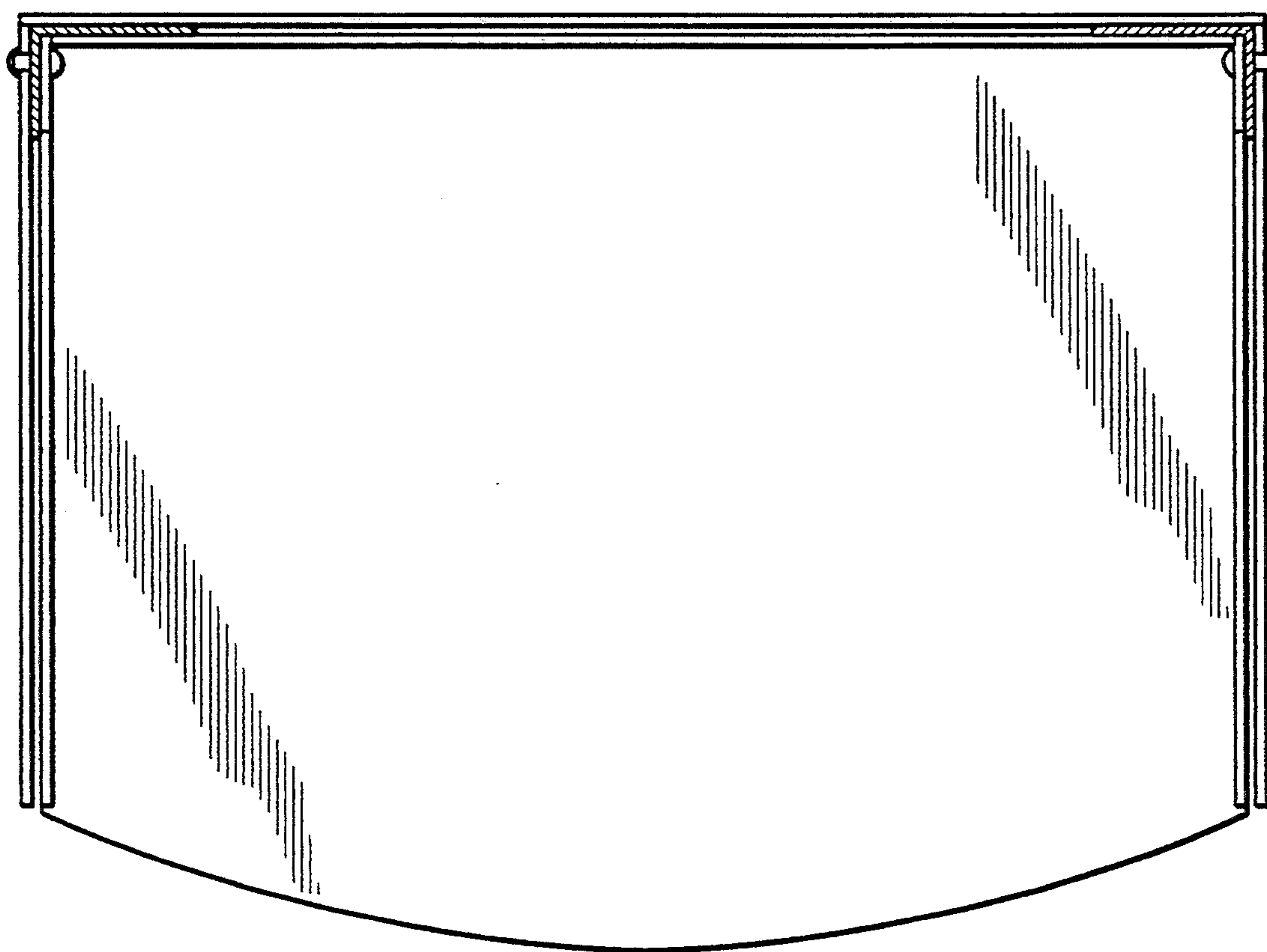
**FIG.\_2**

A technical drawing of a corner bracket. The bracket has a horizontal base and a vertical back. The top edge of the vertical back is curved. There are three circular fasteners: one on the horizontal base near the left end, one on the vertical back near the top, and one at the bottom right corner. The area between the horizontal base and the vertical back is filled with diagonal hatching lines. The top portion of the vertical back is also filled with diagonal hatching lines.

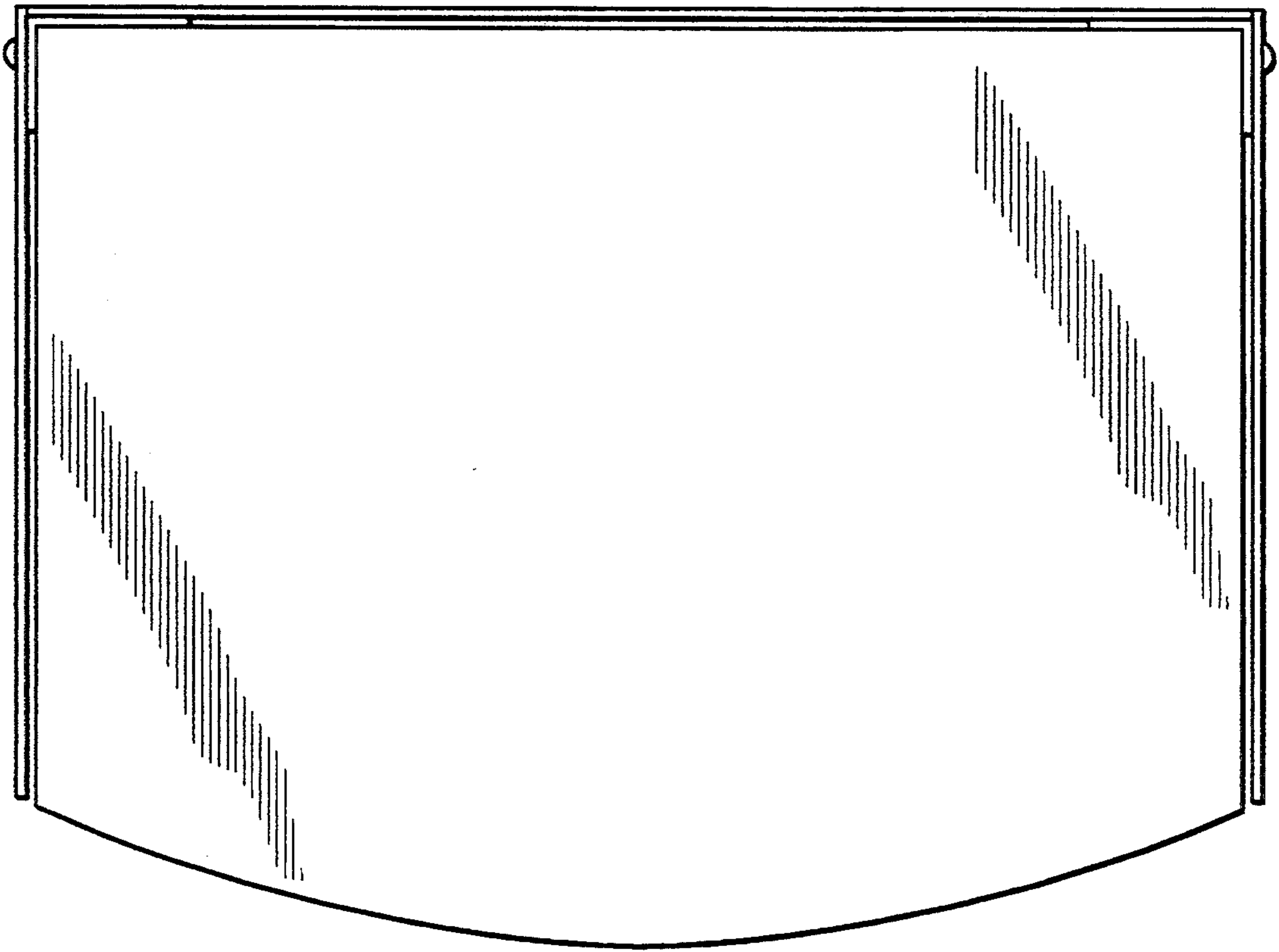
**FIG. 3**



**FIG. 4**



**FIG. 5**



**FIG.\_6**

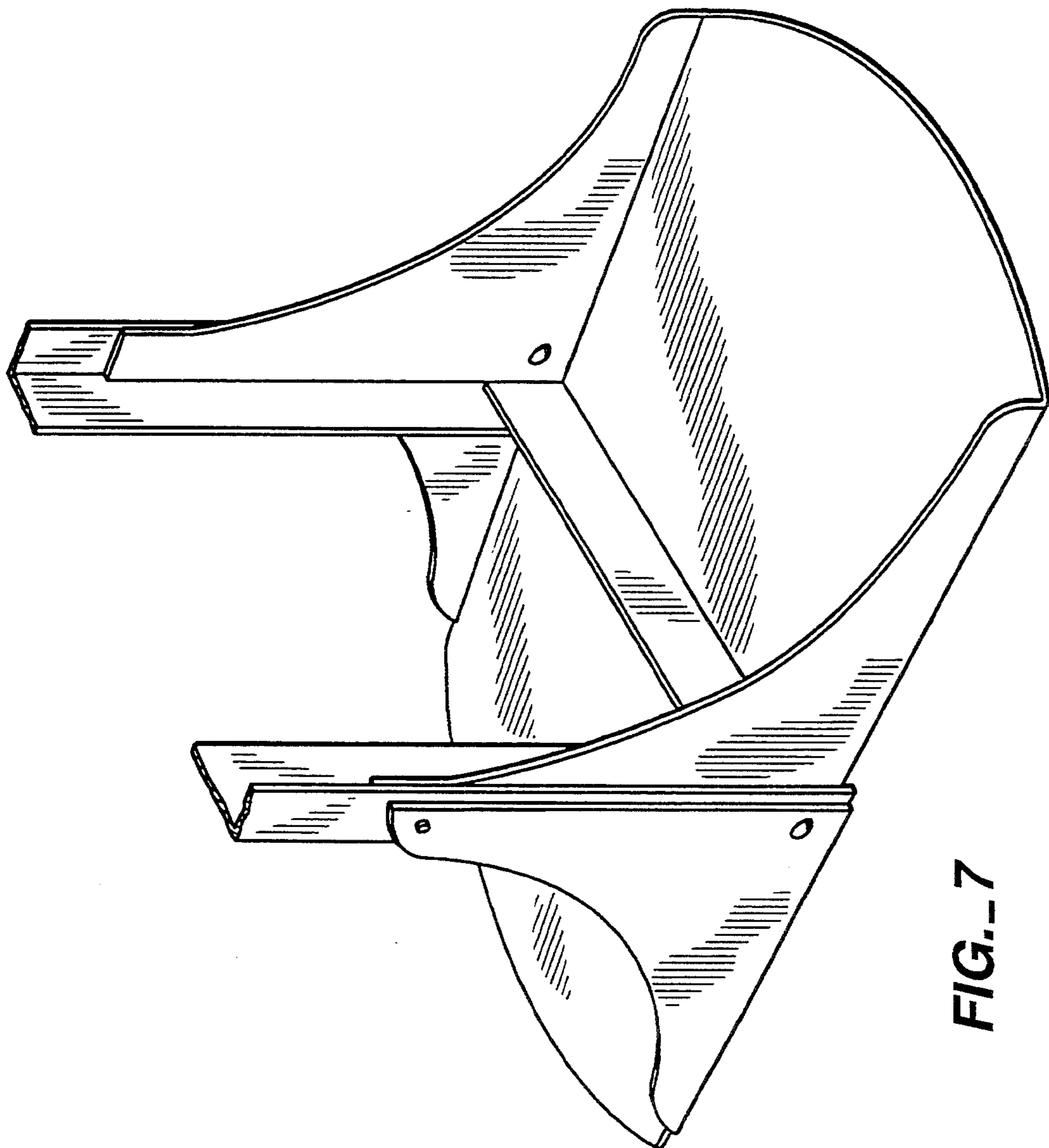
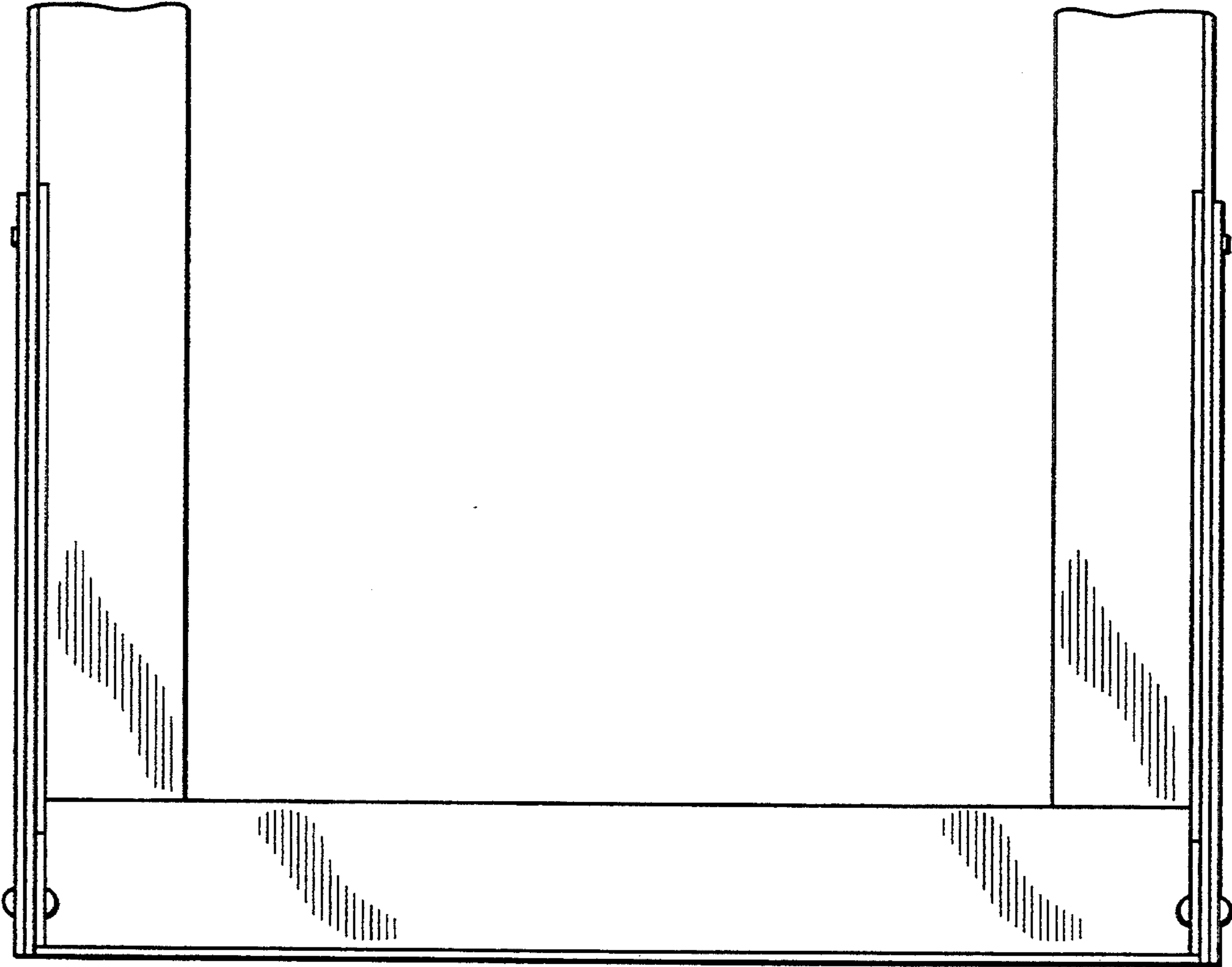
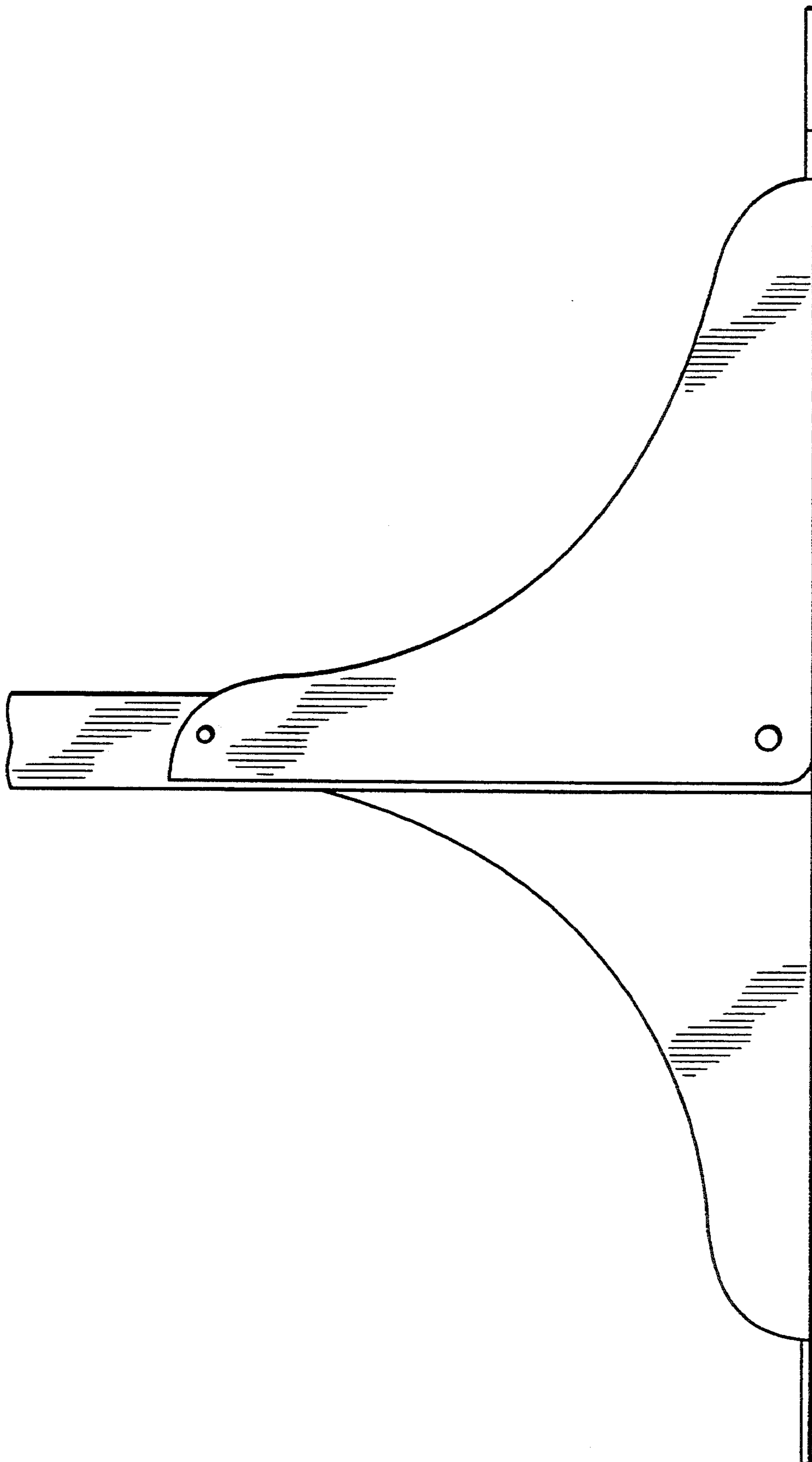


FIG. 7

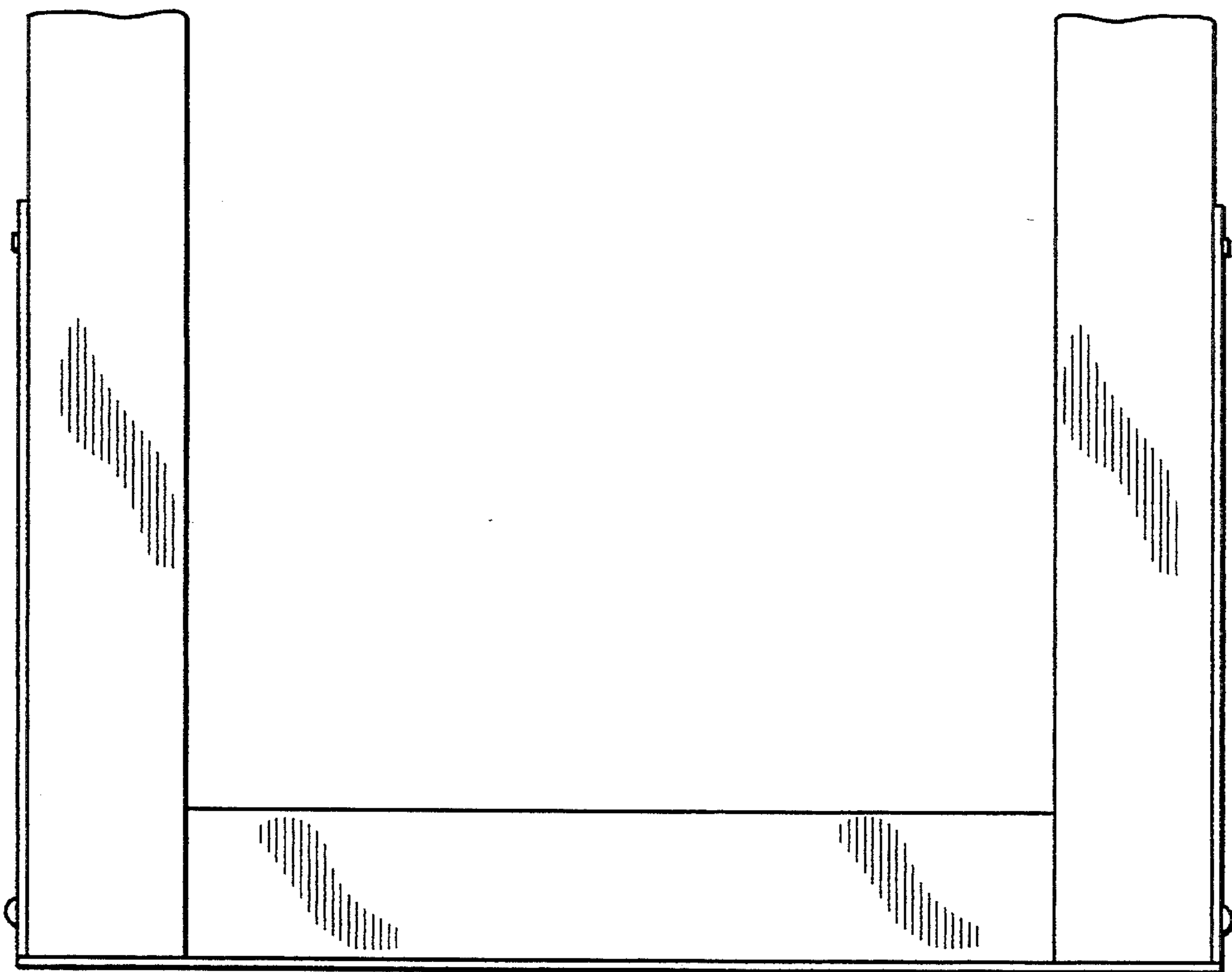




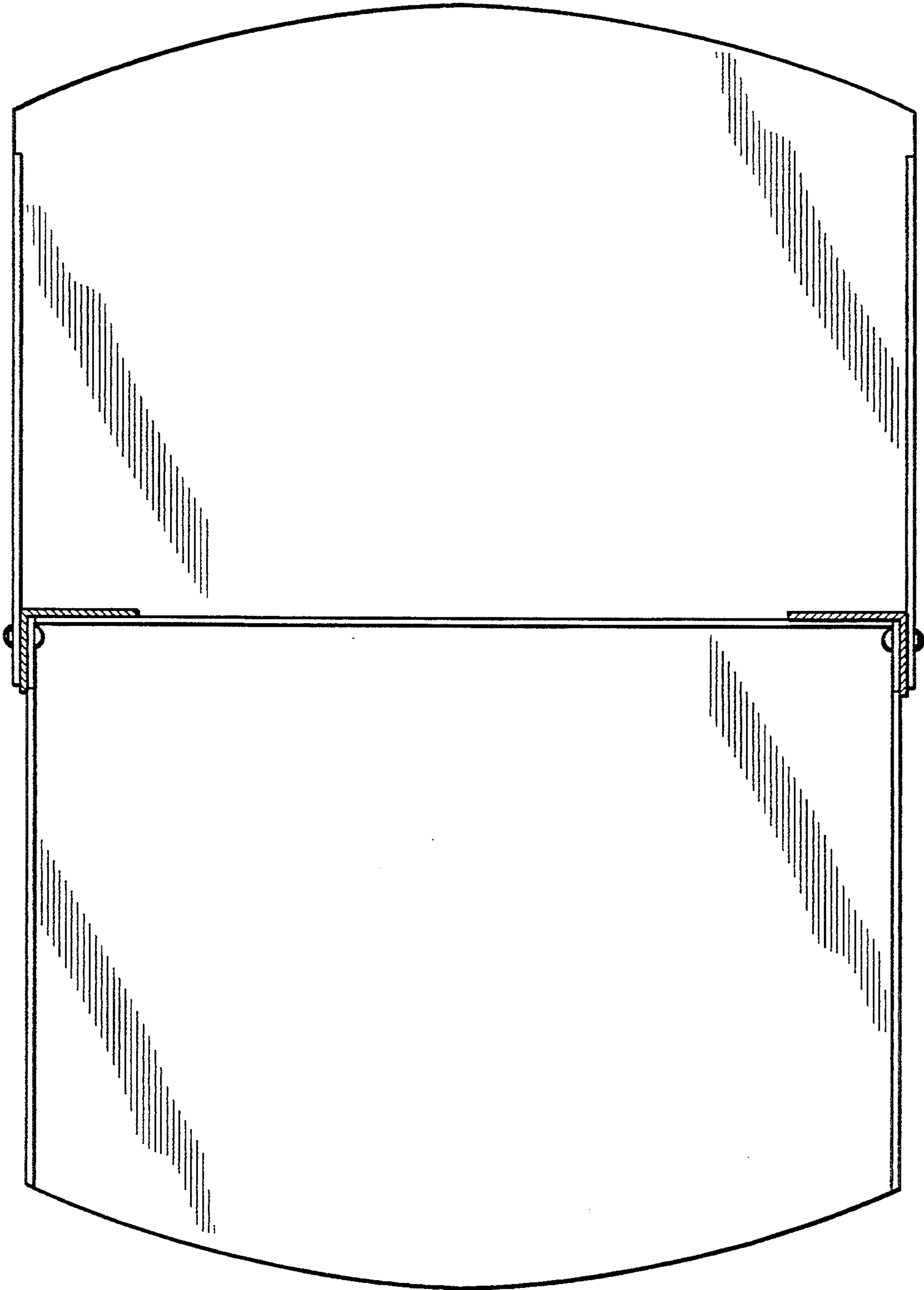
**FIG. 8**



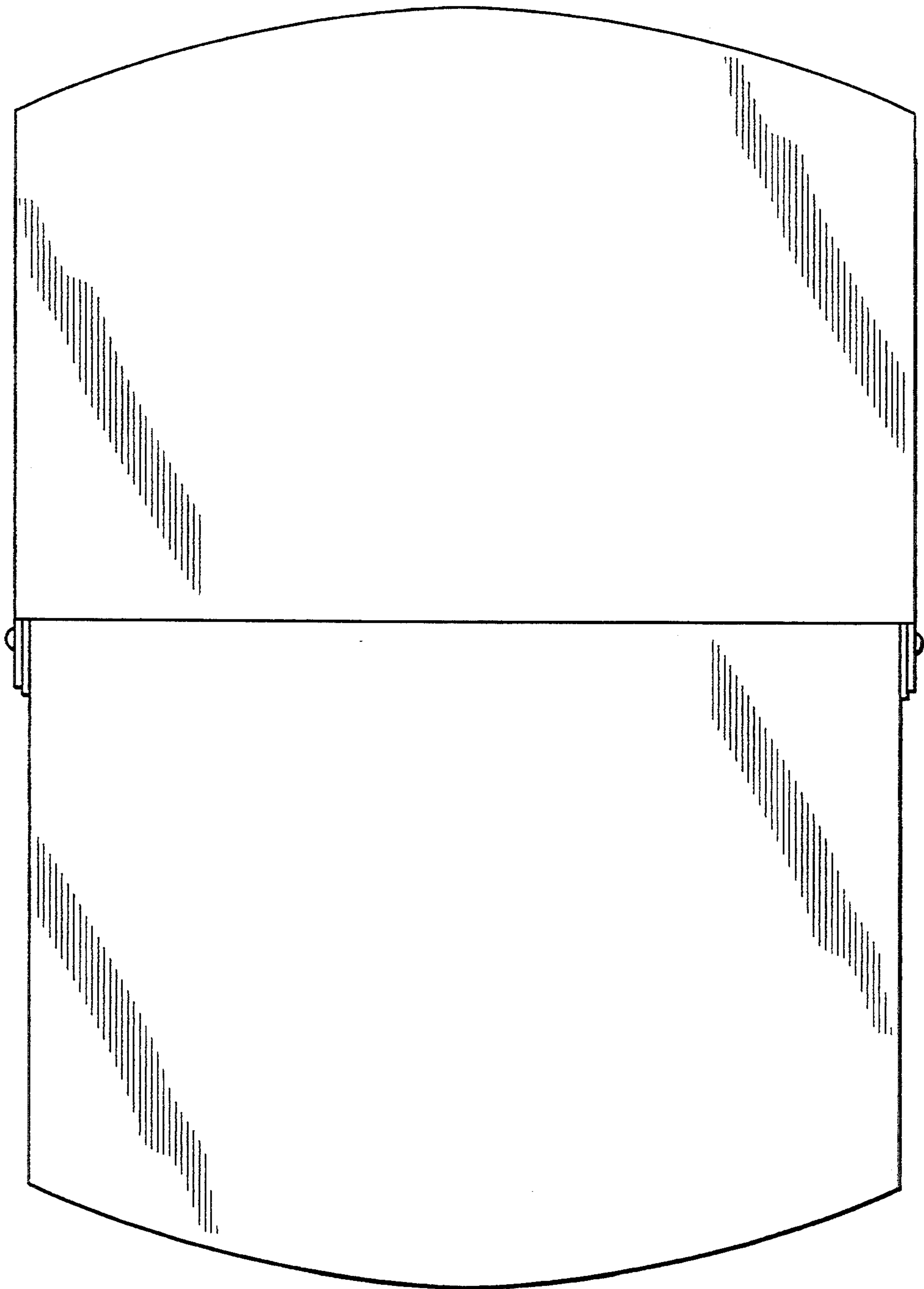
**FIG. 9**



**FIG. 10**



**FIG. 11**



**FIG. 12**