



US00D358512S

United States Patent [19]

[11] Patent Number: **Des. 358,512**

Keller

[45] Date of Patent: **** May 23, 1995**

[54] FURNITURE TRIM

[75] Inventor: **H. Thomas Keller**, High Point, N.C.

[73] Assignee: **Henredon Furniture Industries, Inc.**,
Morganton, N.C.

[**] Term: **14 Years**

[21] Appl. No.: **6,331**

[22] Filed: **Mar. 24, 1993**

[52] U.S. Cl. **D6/491; D6/492;**
D6/509; D25/136

[58] Field of Search **D6/491-494,**
D6/451, 388, 505, 506; D25/136; 5/907, 279.1,
280, 281; 108/153, 161

D. 16,523 2/1886 Mankey D25/136
 D. 216,464 1/1970 Jefferson D25/136 X
 898,616 9/1908 Williamson D25/136 X

Primary Examiner—Janice E. Seeger
Attorney, Agent, or Firm—Edgar A. Zarins; Malcolm L.
 Sutherland

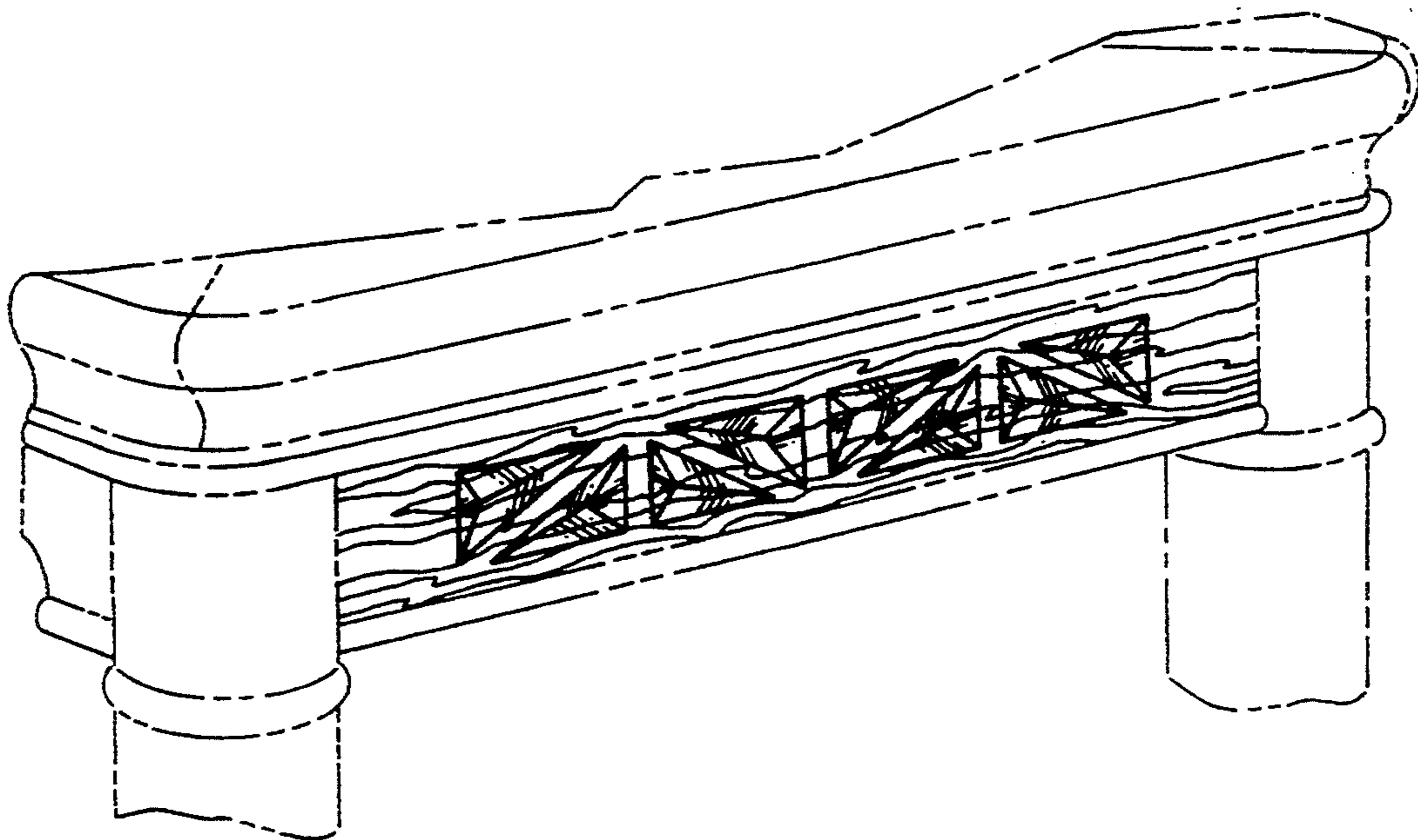
[57] CLAIM

The ornamental design for furniture trim, as shown and described.

DESCRIPTION

FIG. 1 is a perspective view of furniture trim showing my new design;
 FIG. 2 is a front elevation view thereof; and,
 FIG. 3 is a cross-sectional view thereof taken along lines 3—3 of FIG. 2.
 The table is shown in the drawing for environmental purposes only and forms no part of the claimed design.

[56] **References Cited**
U.S. PATENT DOCUMENTS
 D. 14,893 3/1884 Smith D25/136



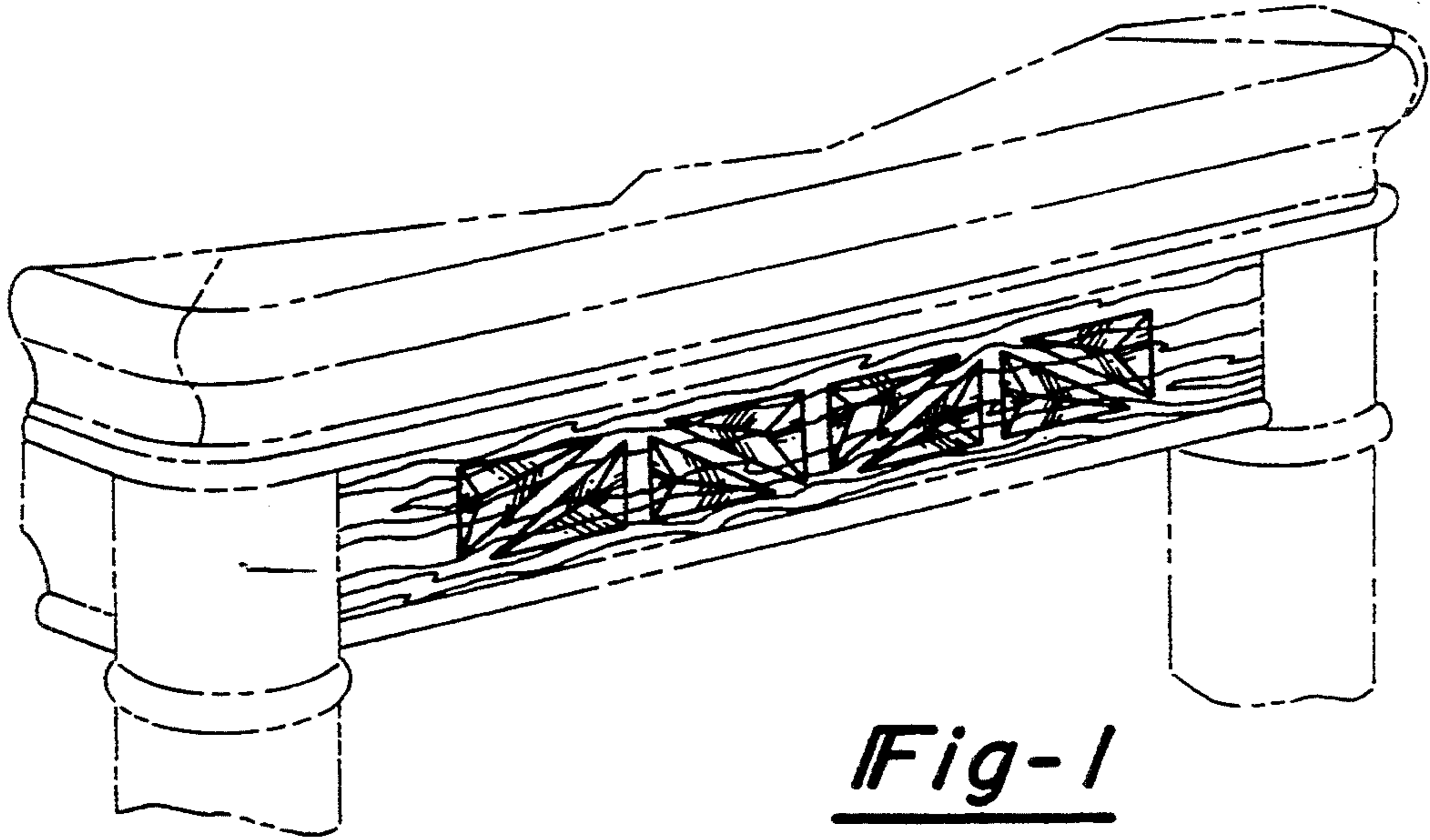


Fig-1

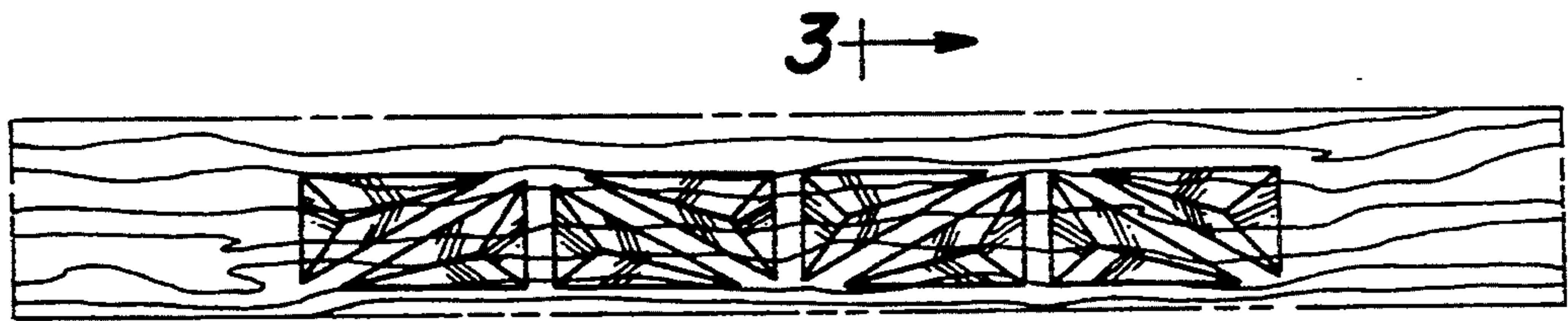


Fig-2

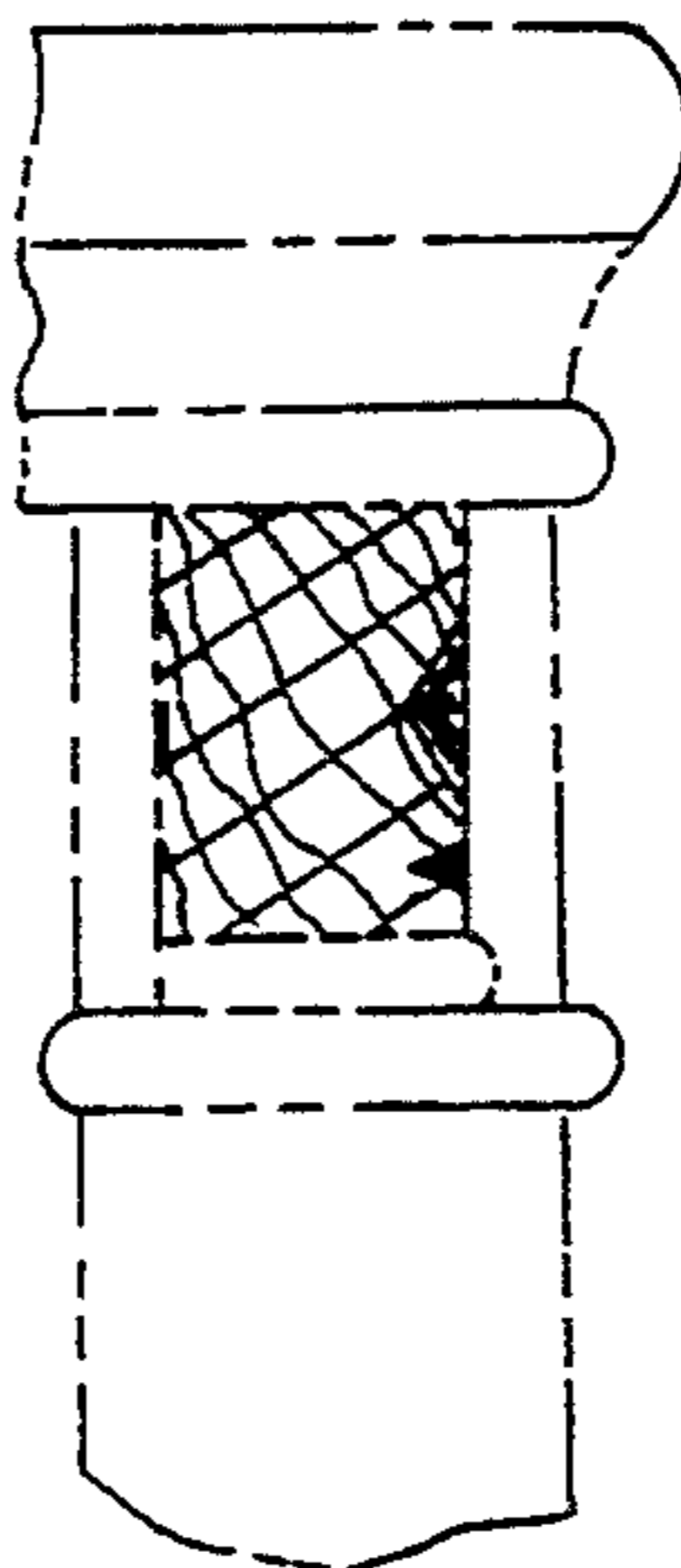


Fig-3