



US00D358508S

United States Patent [19]

[11] Patent Number: **Des. 358,508**

Levine

[45] Date of Patent: **** May 23, 1995**

[54] **MAGAZINE RACK**

[76] Inventor: **Bart J. Levine**, 4147 W. Ogden,
Second Floor, Chicago, Ill. 60623

[**] Term: **14 Years**

[21] Appl. No.: **3,989**

[22] Filed: **Jan. 22, 1993**

[52] U.S. Cl. **D6/464; D6/410;**
D6/411

[58] Field of Search **D6/410, 411, 449, 474,**
D6/462-465; D34/21, 17, 14; D32/58, 55;
D21/245; 211/181, 182, 13, 42; D19/88, 91

[56] **References Cited**

U.S. PATENT DOCUMENTS

- D. 91,026 11/1933 Guild D6/464 X
- D. 136,015 7/1943 Luger D32/58
- D. 137,373 2/1944 Davis D6/464 X
- D. 187,278 2/1960 Gusdorf D34/21
- D. 256,040 7/1980 Beller D21/245

- D. 268,620 4/1983 Schreiner D34/17 X
- D. 317,095 5/1991 Albers et al. D6/464
- D. 330,468 10/1992 Jester, Jr. D6/464 X
- 2,137,029 11/1938 Scholl 211/182 X
- 2,243,370 5/1941 Bell 211/182
- 3,094,216 6/1963 Gordon D6/410 X

Primary Examiner—Jeffrey Asch
Attorney, Agent, or Firm—Knechtel, Demeur & Samlan

[57] **CLAIM**

The ornamental design for a “magazine rack”, as shown and described.

DESCRIPTION

FIG. 1 is a perspective view of a “magazine rack” showing my new design;
 FIG. 2 is a left side elevational view thereof, the right side elevational view being identical thereto;
 FIG. 3 is a top plan view thereof;
 FIG. 4 is a front elevational view thereof;
 FIG. 5 is a rear elevational view thereof; and,
 FIG. 6 is a bottom plan view thereof.

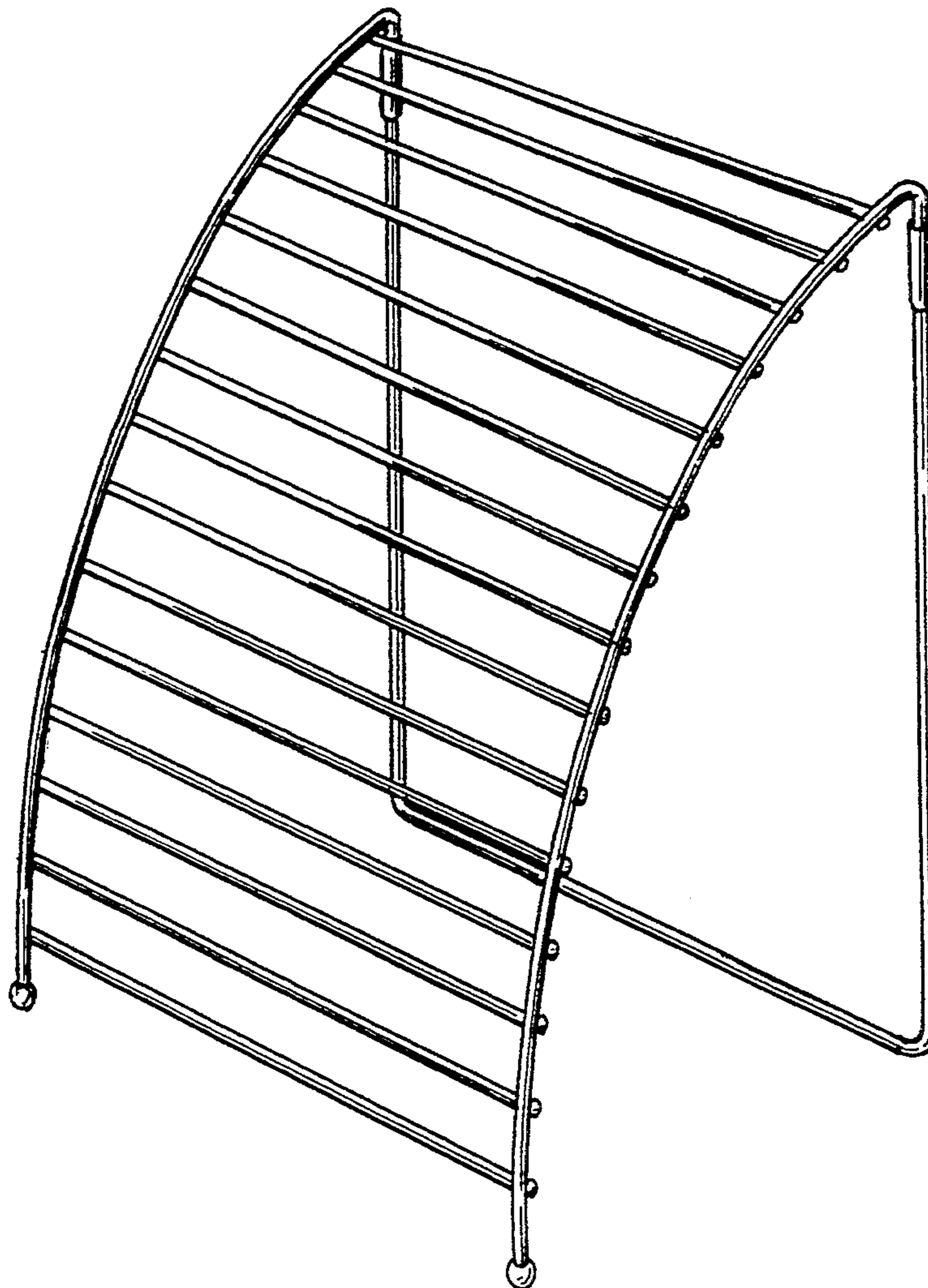


Fig. 1

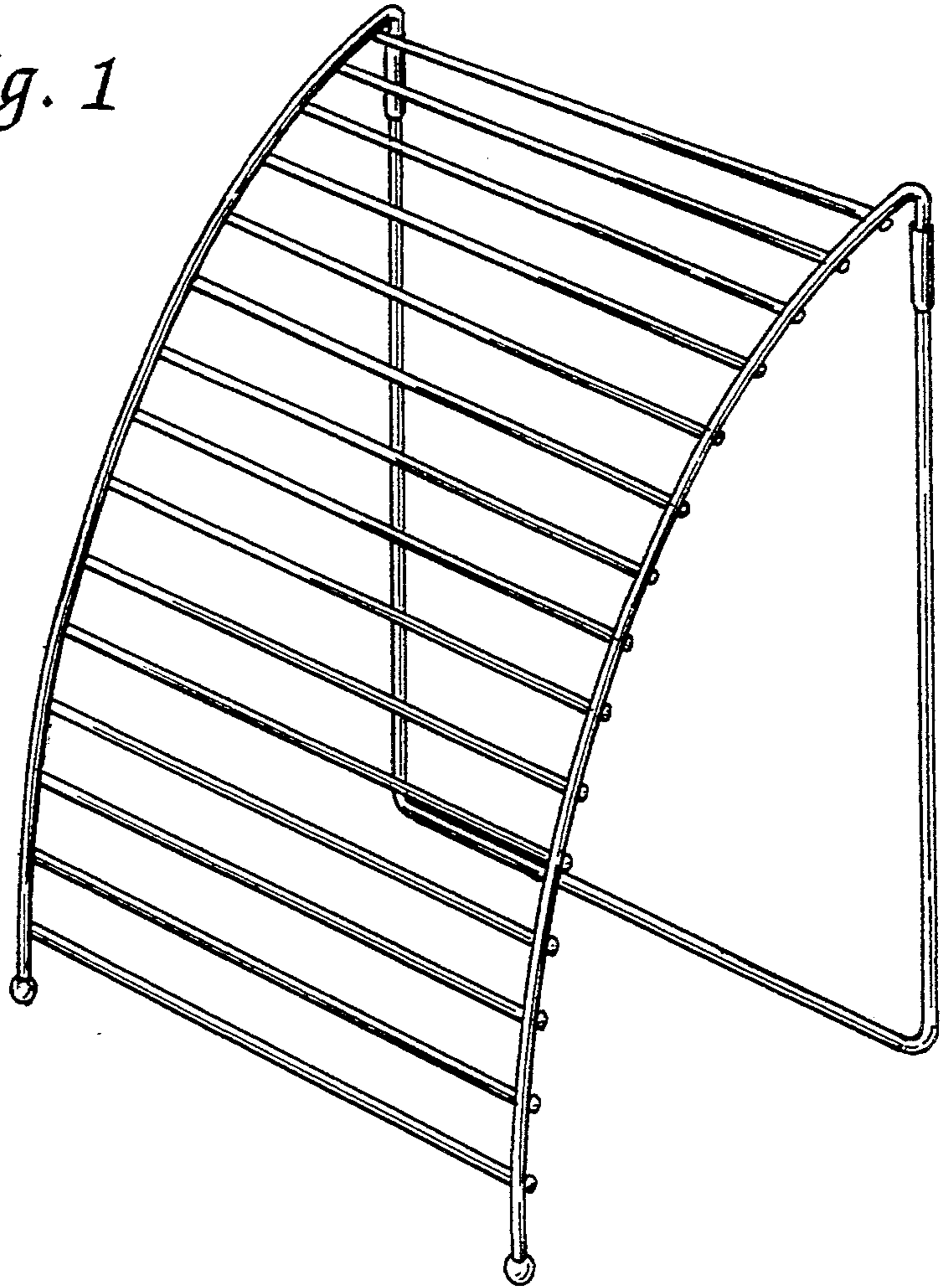


Fig. 2

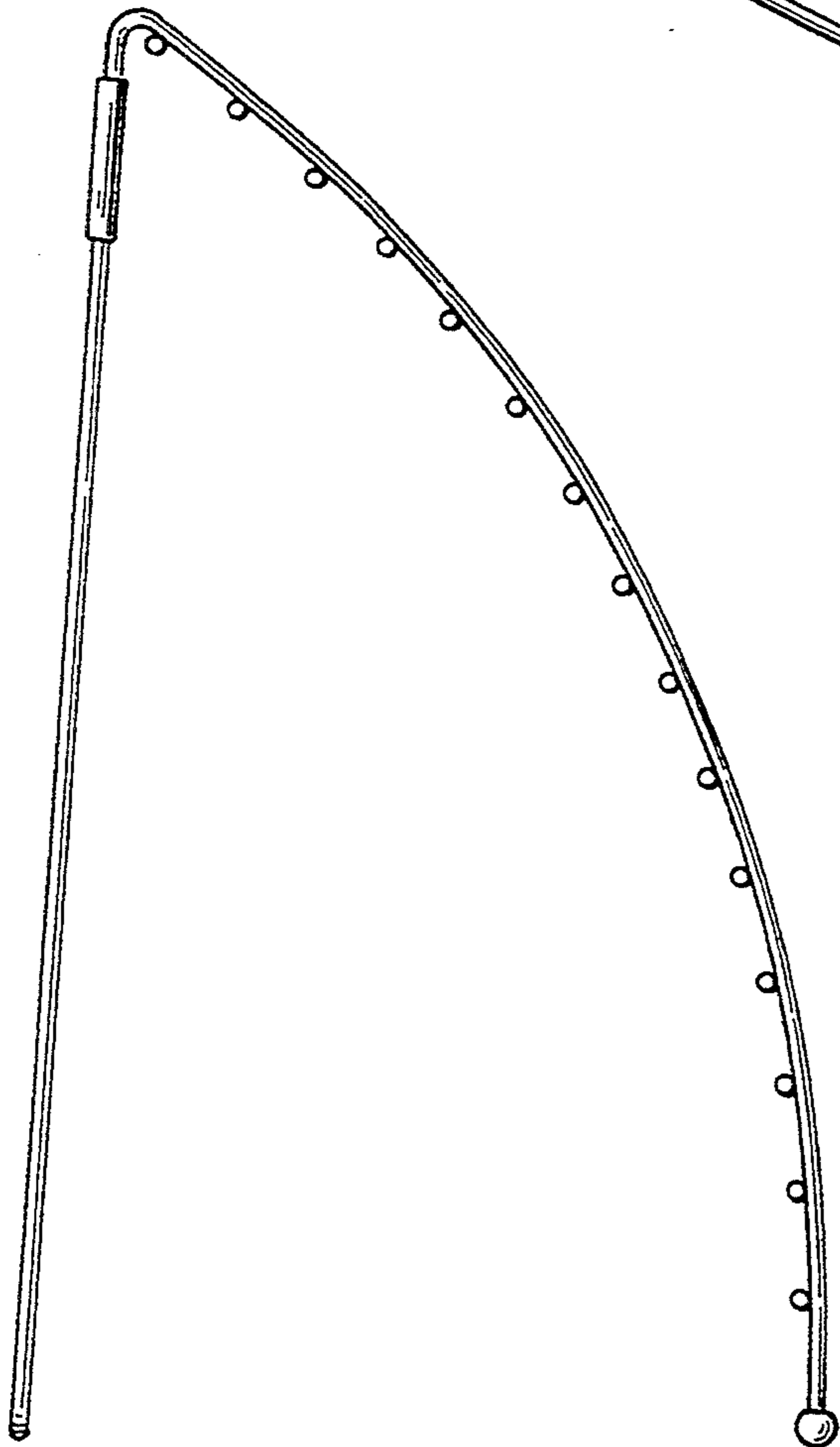


Fig. 3

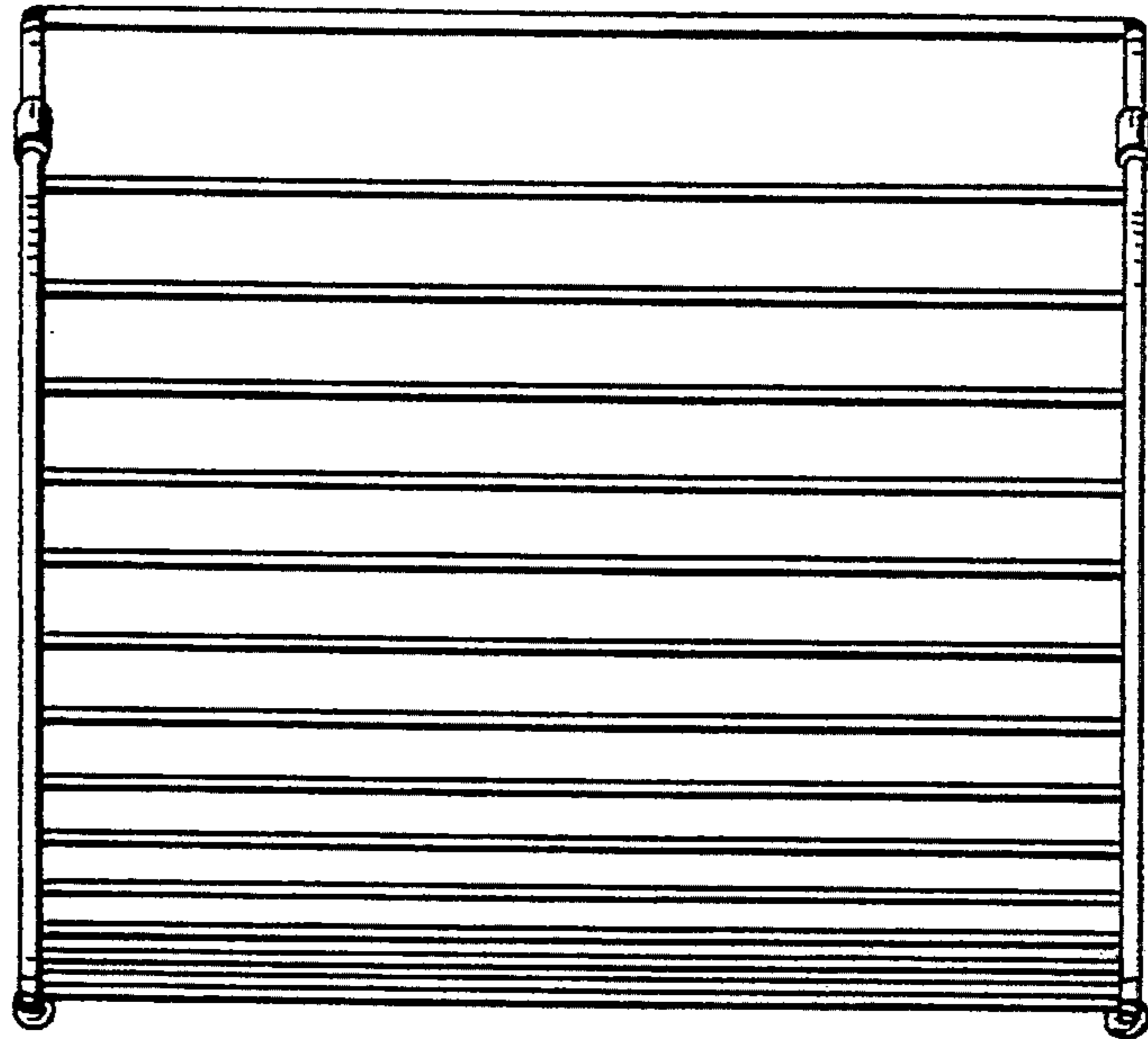


Fig. 4

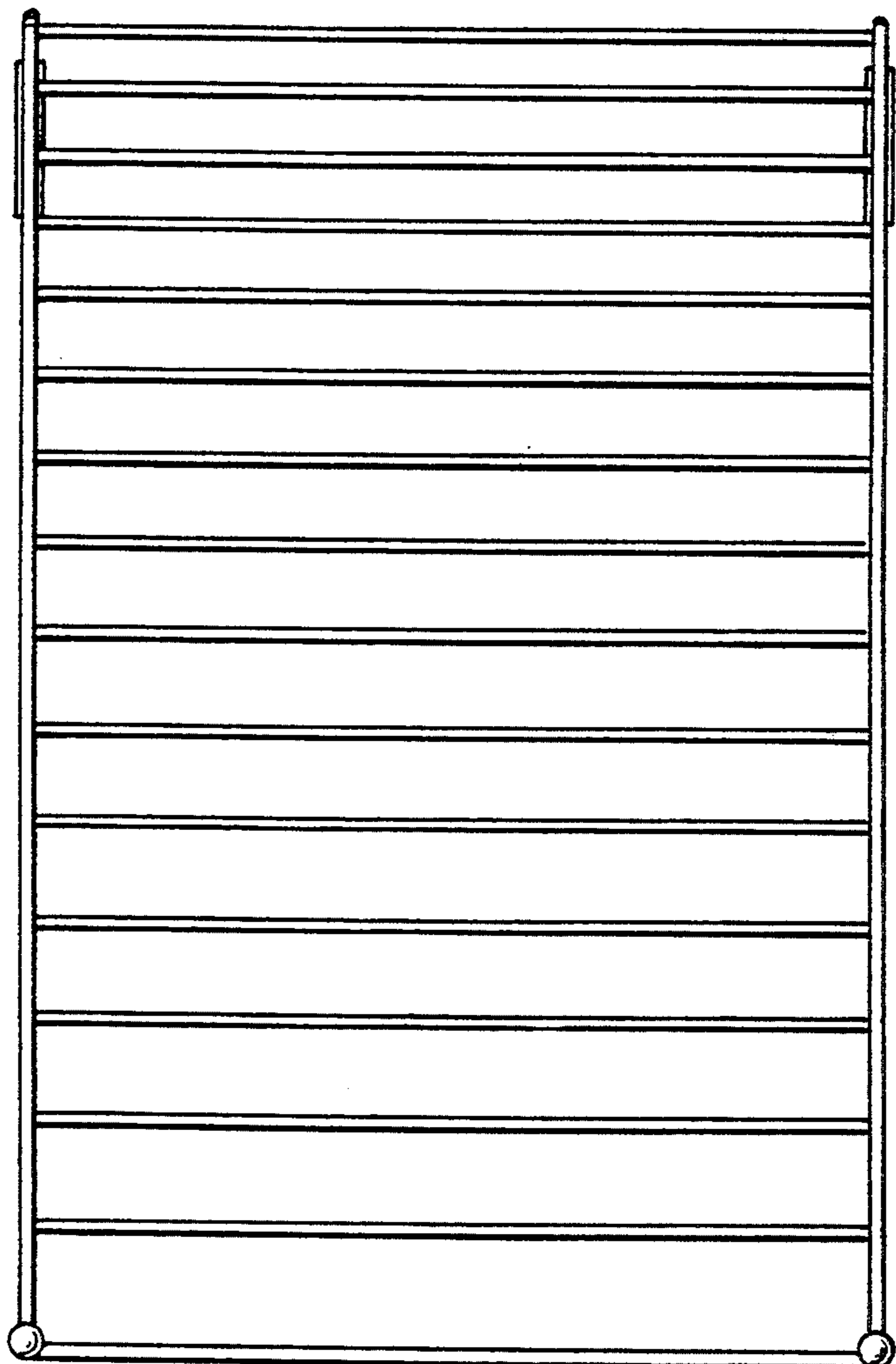


Fig. 5

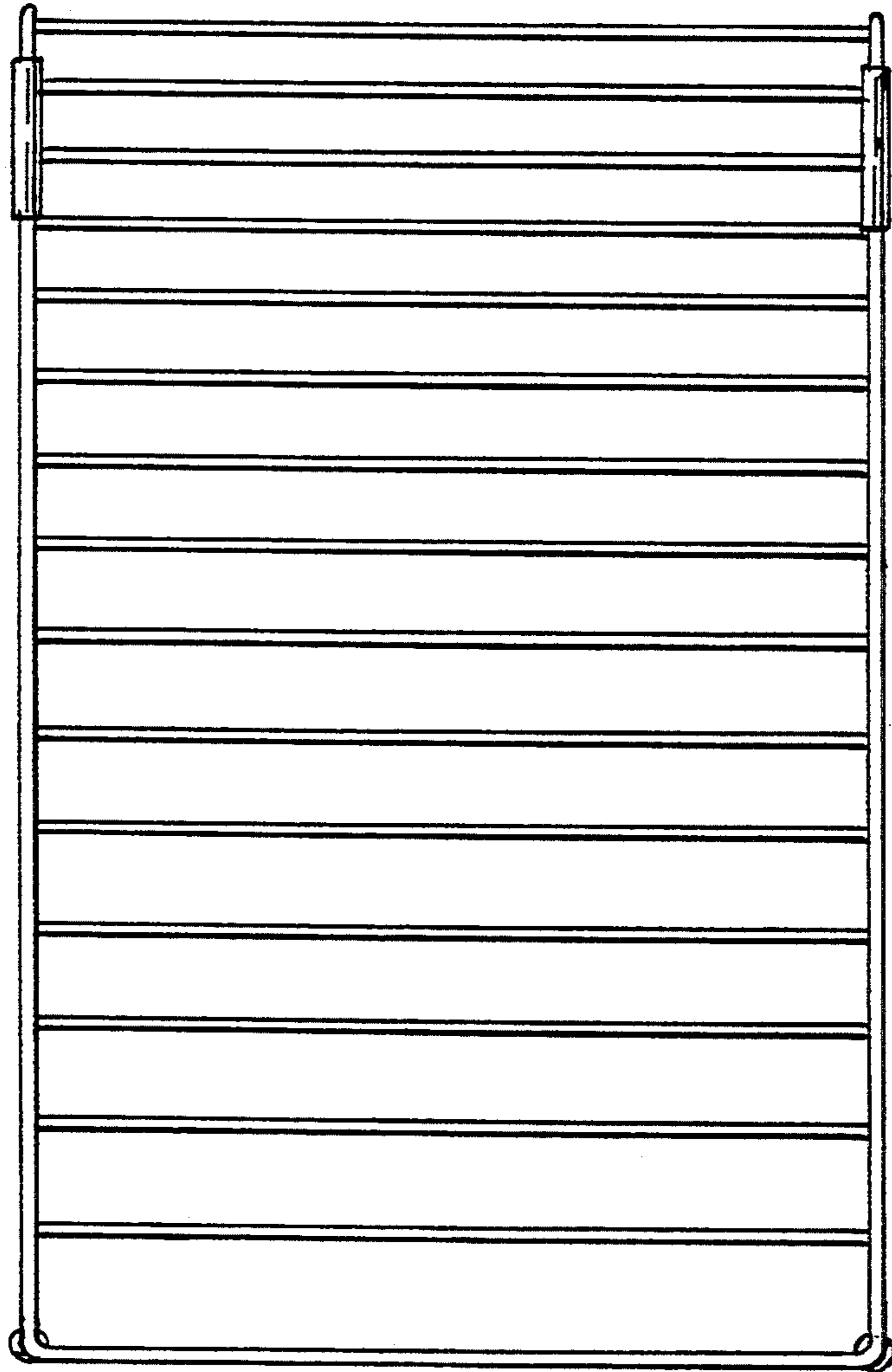


Fig. 6

