



US00D358507S

United States Patent [19]

[11] Patent Number: **Des. 358,507**

Goodman et al.

[45] Date of Patent: **** May 23, 1995**

[54] **ORGANIZER**

[76] Inventors: **Sheldon H. Goodman**, 30905 Stratford, Solon, Ohio 44139; **Steven E. Greenhut**, 6368 NW. 23rd Way, Boca Raton, Fla. 33496

[**] Term: **14 Years**

[21] Appl. No.: **11,965**

[22] Filed: **Aug. 18, 1993**

[52] U.S. Cl. **D6/462; D7/409; D23/398**

[58] Field of Search **D6/449, 474, 462-465, D6/475, 476, 407, 349, 537, 566; D7/409; D23/398; D32/55, 58; 211/181, 182, 13; 126/541, 298, 152 R, 277; 99/449, 426**

[56] **References Cited**

U.S. PATENT DOCUMENTS

D. 154,415	7/1949	Moran	D6/537
D. 159,947	9/1950	Bell	D6/349
D. 180,366	5/1957	Hitchins	D6/462
D. 192,477	3/1962	Chapman	D32/55
D. 199,292	9/1964	Rhodes	D6/566
D. 247,344	2/1978	Smith	D23/398
D. 260,227	8/1981	Bentson	D7/409

D. 267,464	1/1983	Hassett et al.	D23/398
D. 278,196	4/1985	Koves	D6/465
D. 292,860	11/1987	Motta	D6/566
D. 311,953	11/1990	Martinson	D6/407 X
333,382	12/1885	Belding	D23/398 X
2,635,528	4/1953	Torres	99/426 X
2,703,046	3/1955	Ahlquist	211/181 X
2,985,165	5/1961	Peterson et al.	D23/398 X
3,830,218	8/1974	Shelton	126/541
4,069,808	1/1978	Cranberg	126/541
4,593,613	6/1986	Waltman	99/449 X
4,640,263	2/1987	Nelson	126/541

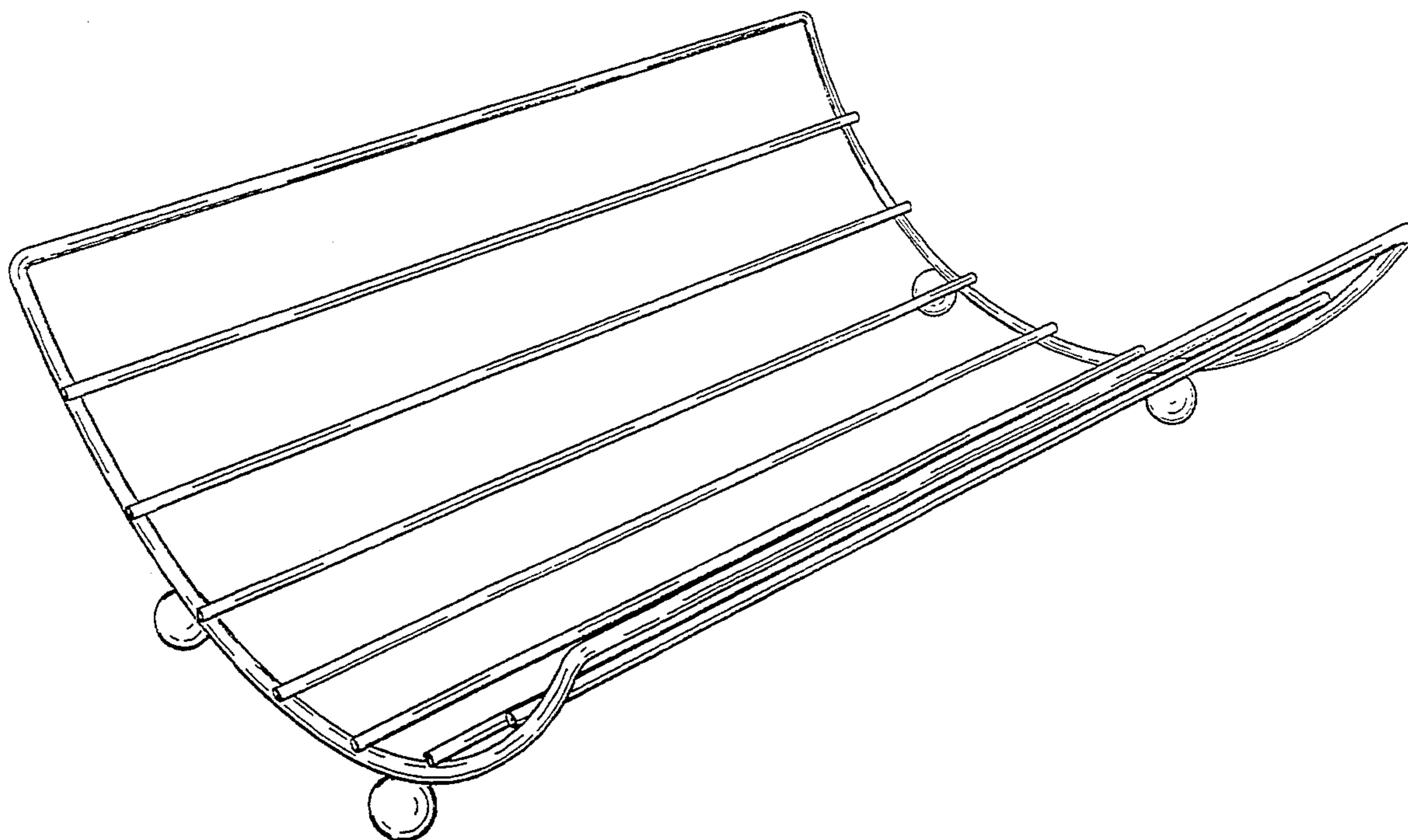
Primary Examiner—Jeffrey Asch

[57] **CLAIM**

The ornamental design for an organizer, as shown and described.

DESCRIPTION

FIG. 1 is a perspective view of an organizer showing our new design; FIG. 2 is a top plan view thereof; FIG. 3 is a bottom plan view thereof; FIG. 4 is a front elevational view thereof, the rear elevational view being identical; and, FIG. 5 is a left side elevational view thereof, the right side elevational view being identical.



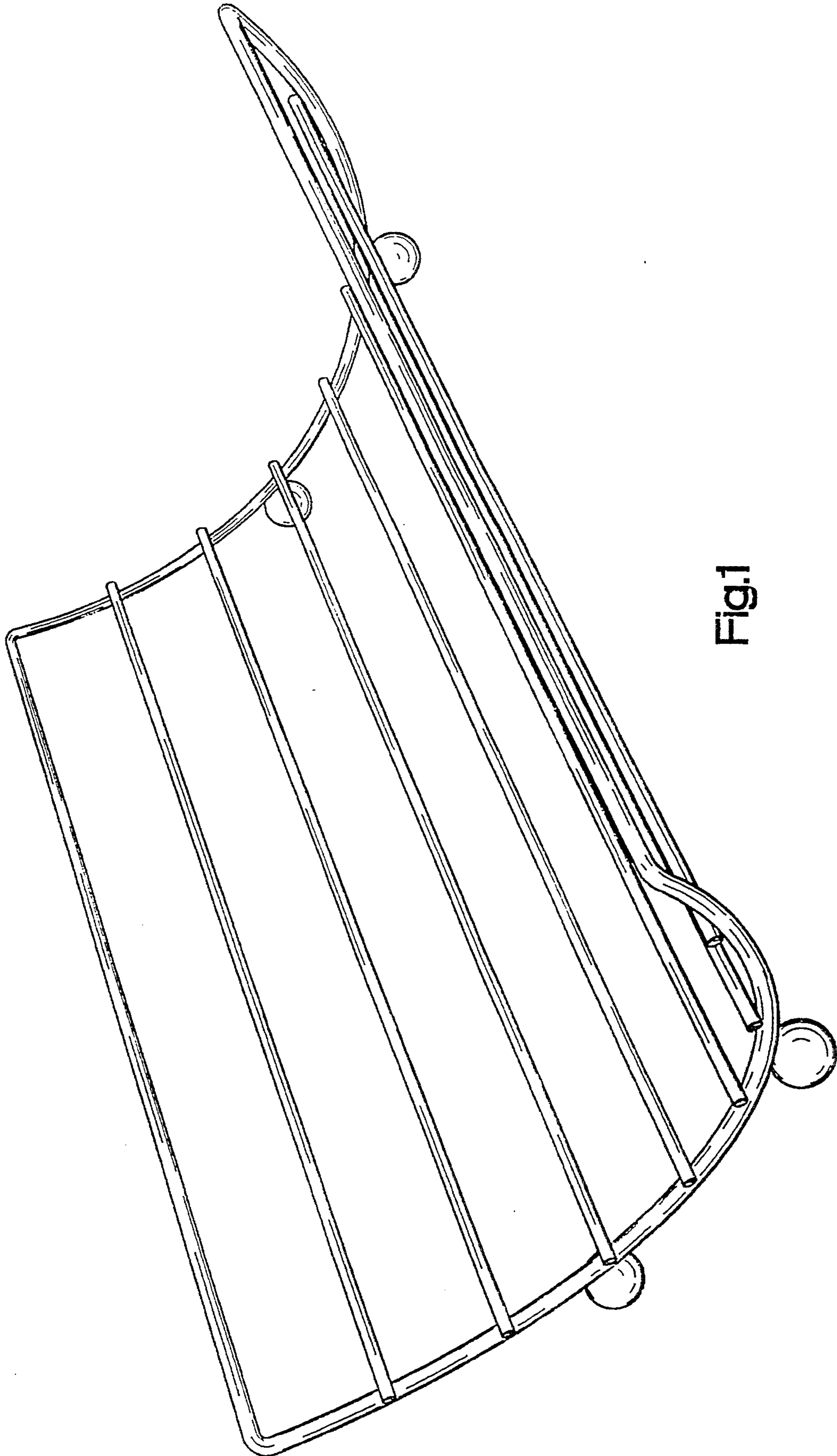


Fig.1

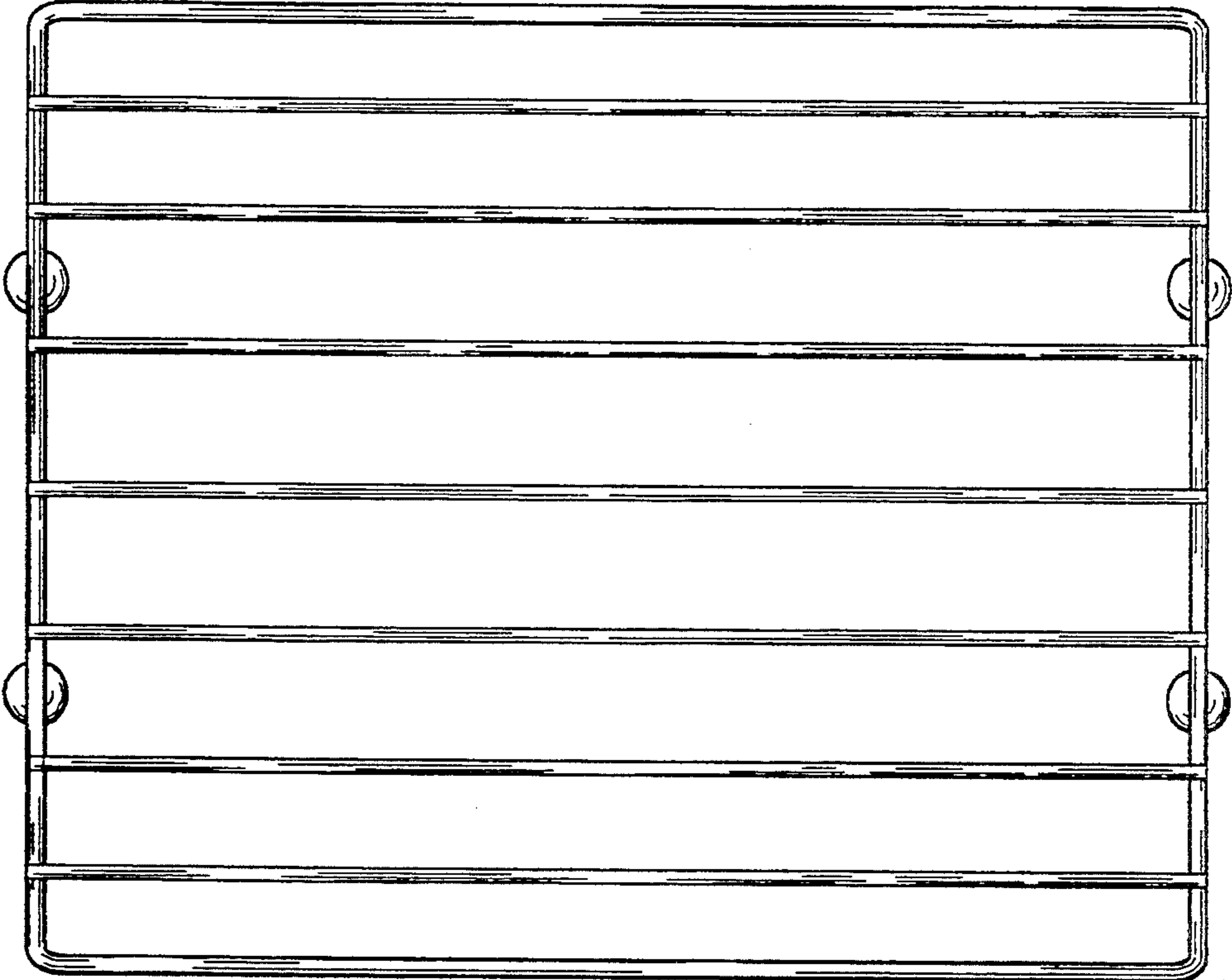


Fig.2

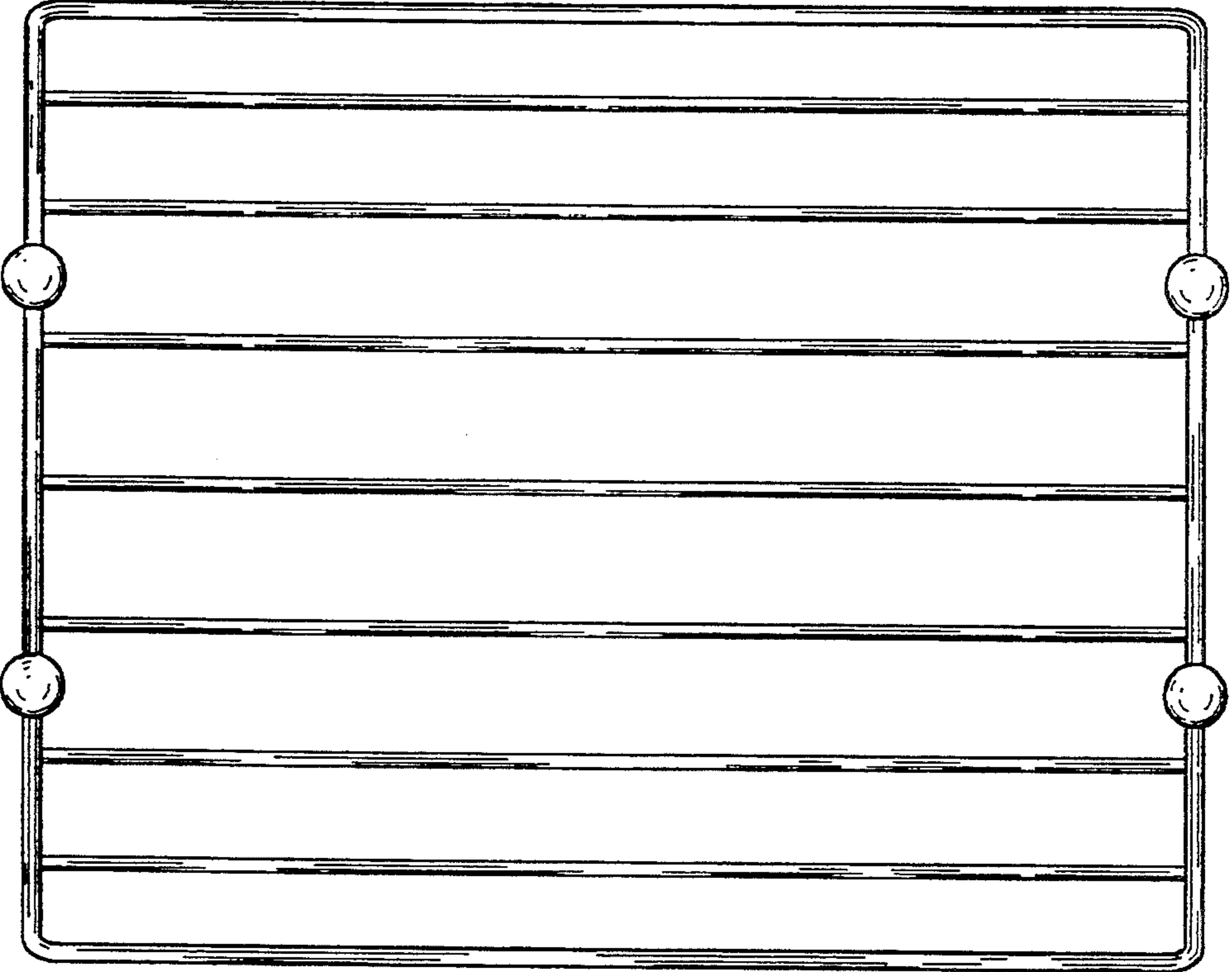


Fig.3

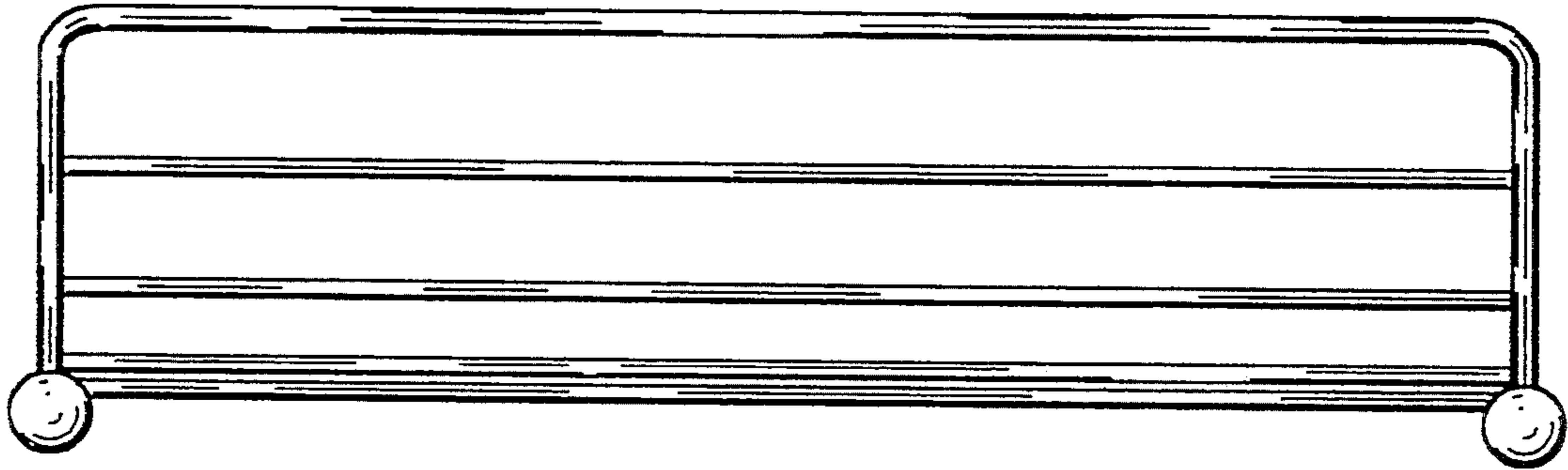


Fig.4

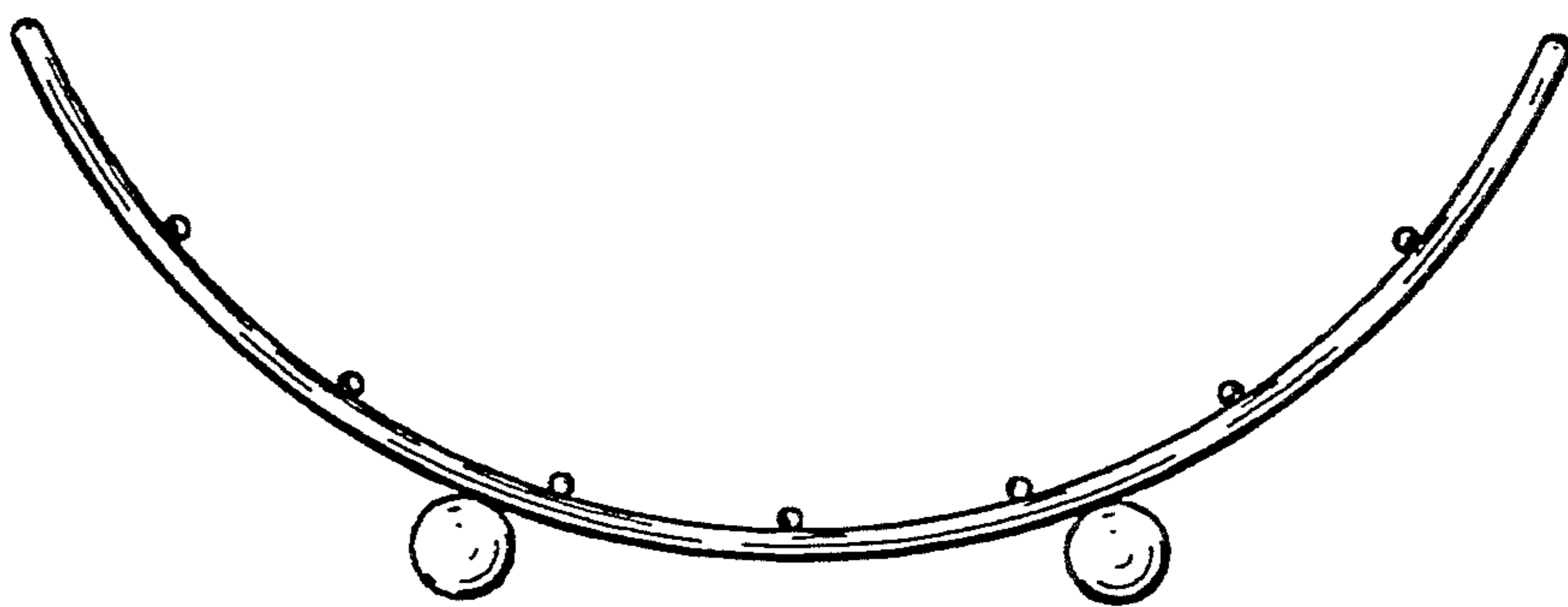


Fig.5