



US00D358502S

United States Patent [19]

[11] Patent Number: **Des. 358,502**

Gioacchini

[45] Date of Patent: **** May 23, 1995**

[54] SEAT

[75] Inventor: **Nilo Gioacchini, Pelago, Italy**

[73] Assignee: **Castelli S.p.A., Ozzano Dell'Amilia, Italy**

[**] Term: **14 Years**

[21] Appl. No.: **19,857**

[22] Filed: **Mar. 14, 1994**

D. 298,492 11/1988 Ochsner D6/379
 D. 342,624 12/1993 Vogtherr D6/380
 D. 346,911 5/1994 Lucci et al. D6/374

Primary Examiner—Alan P. Douglas
Assistant Examiner—Gary D. Watson
Attorney, Agent, or Firm—Sughrue, Mion, Zinn,
 Macpeak & Seas

[30] Foreign Application Priority Data

Sep. 14, 1993 [IT] Italy B0930000037

[52] U.S. Cl. **D6/379; D6/380**

[58] Field of Search D6/334, 374, 379, 380,
 D6/500, 501, 502; 297/411.44

[57] CLAIM

The ornamental design for a seat, as shown.

DESCRIPTION

FIG. 1 is a front elevational view of a seat showing my new design;
 FIG. 2 is a left side elevational view thereof;
 FIG. 3 is a right side elevational view thereof;
 FIG. 4 is a top plan view thereof;
 FIG. 5 is a rear elevational view thereof;
 FIG. 6 is a bottom plan view thereof; and,
 FIG. 7 is a perspective view of the top, front and left side thereof.

[56] References Cited

U.S. PATENT DOCUMENTS

D. 272,393 1/1984 Klier D6/334
 D. 292,149 10/1987 Monesi D6/380

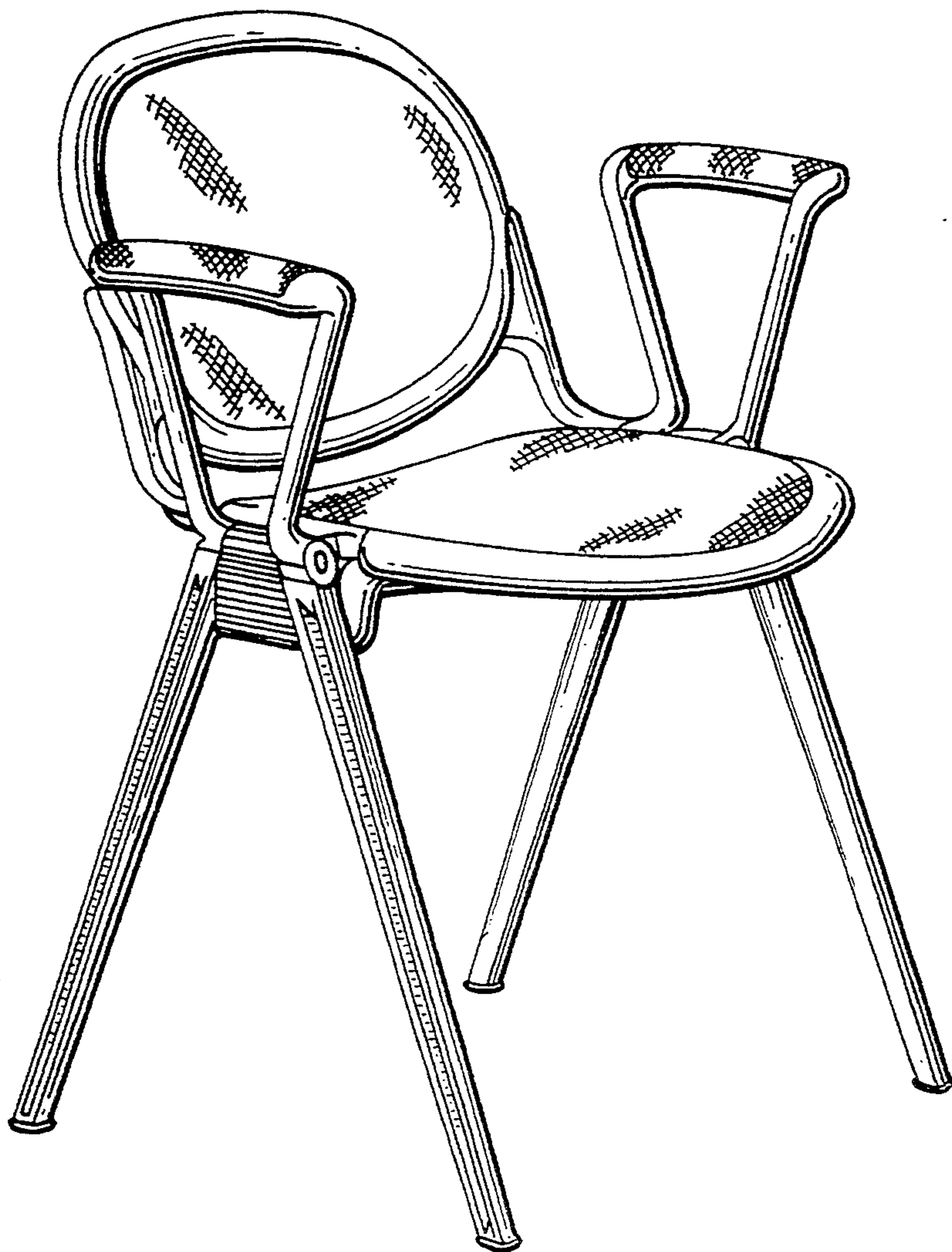


FIG. 1

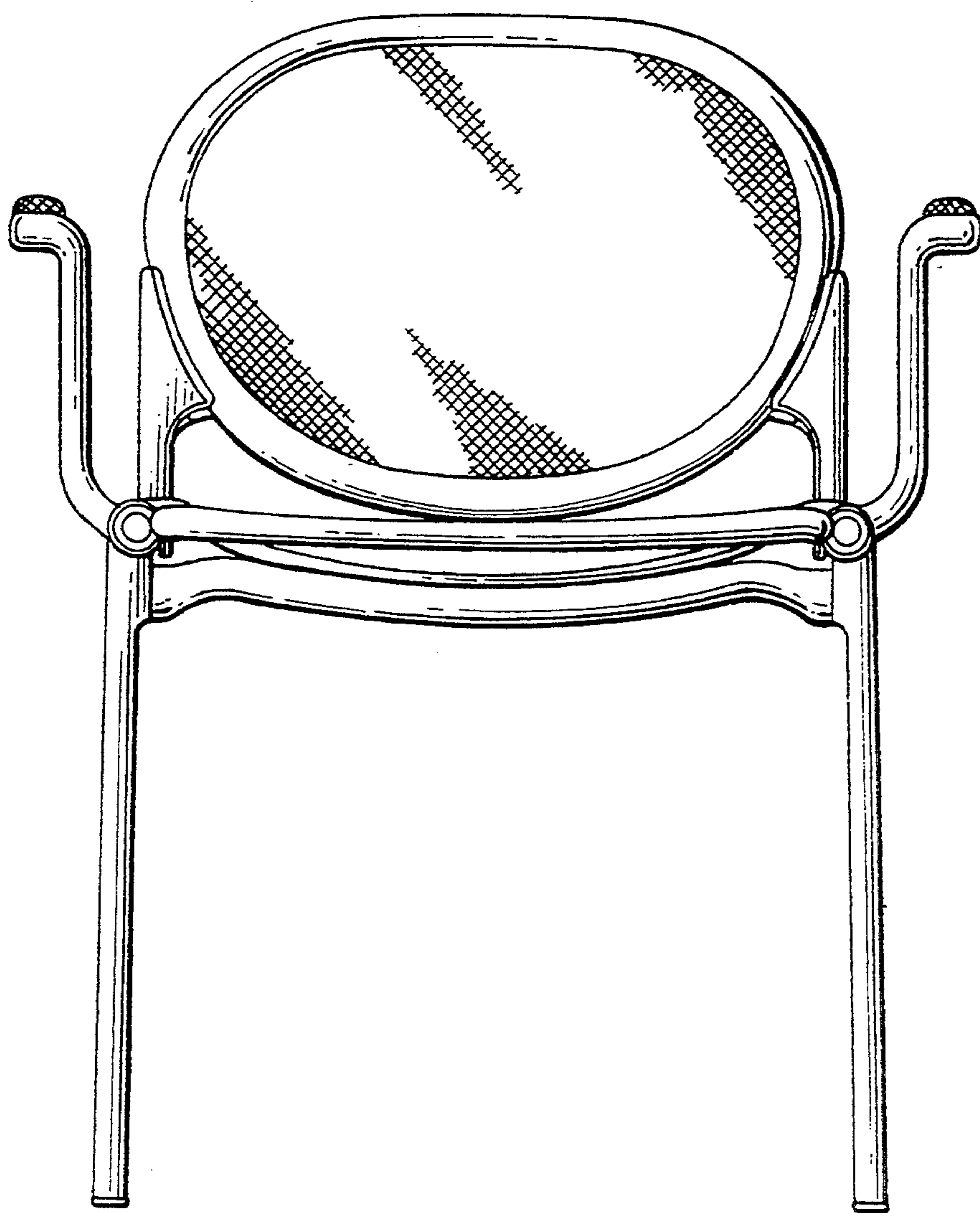


FIG. 2

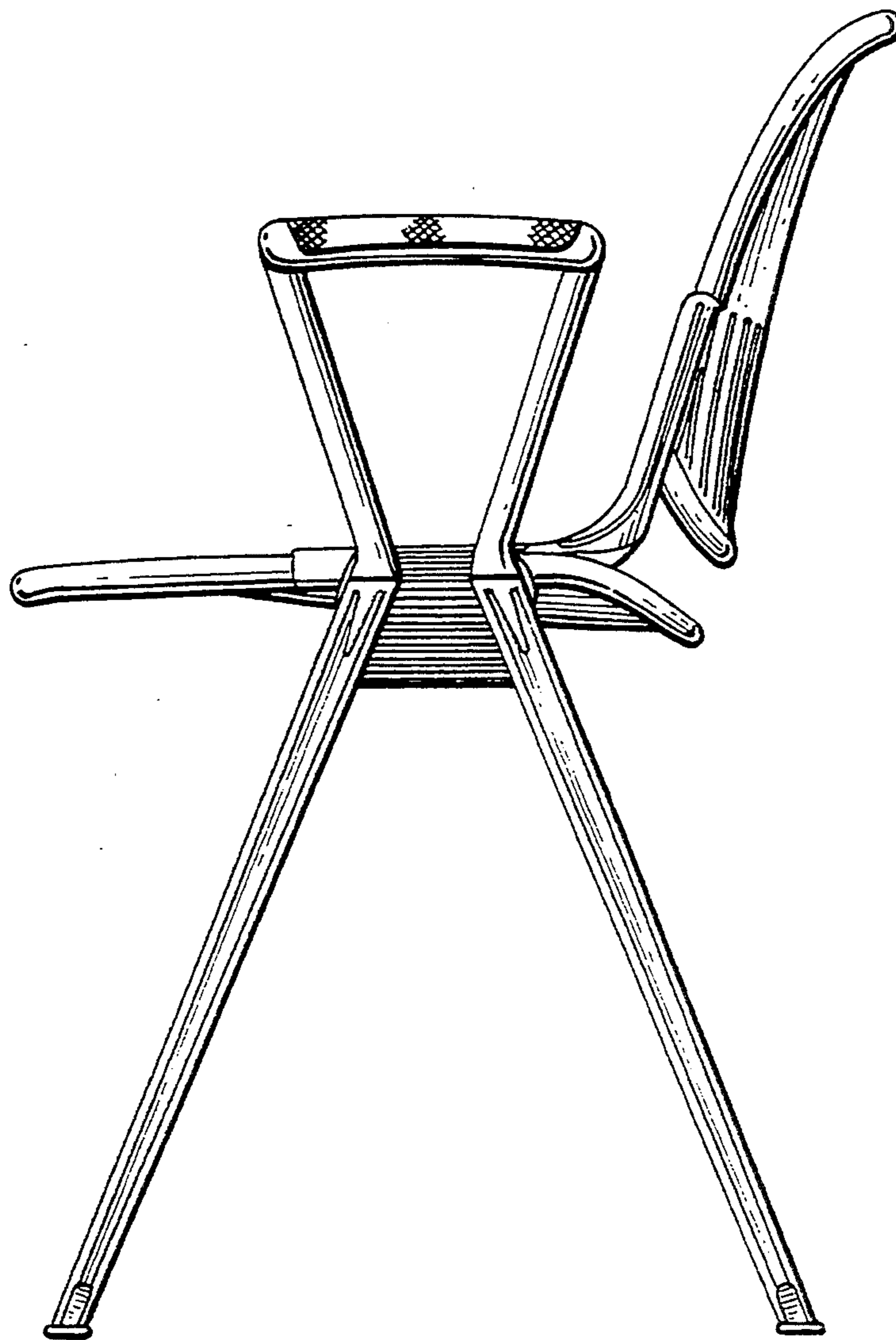


FIG. 3

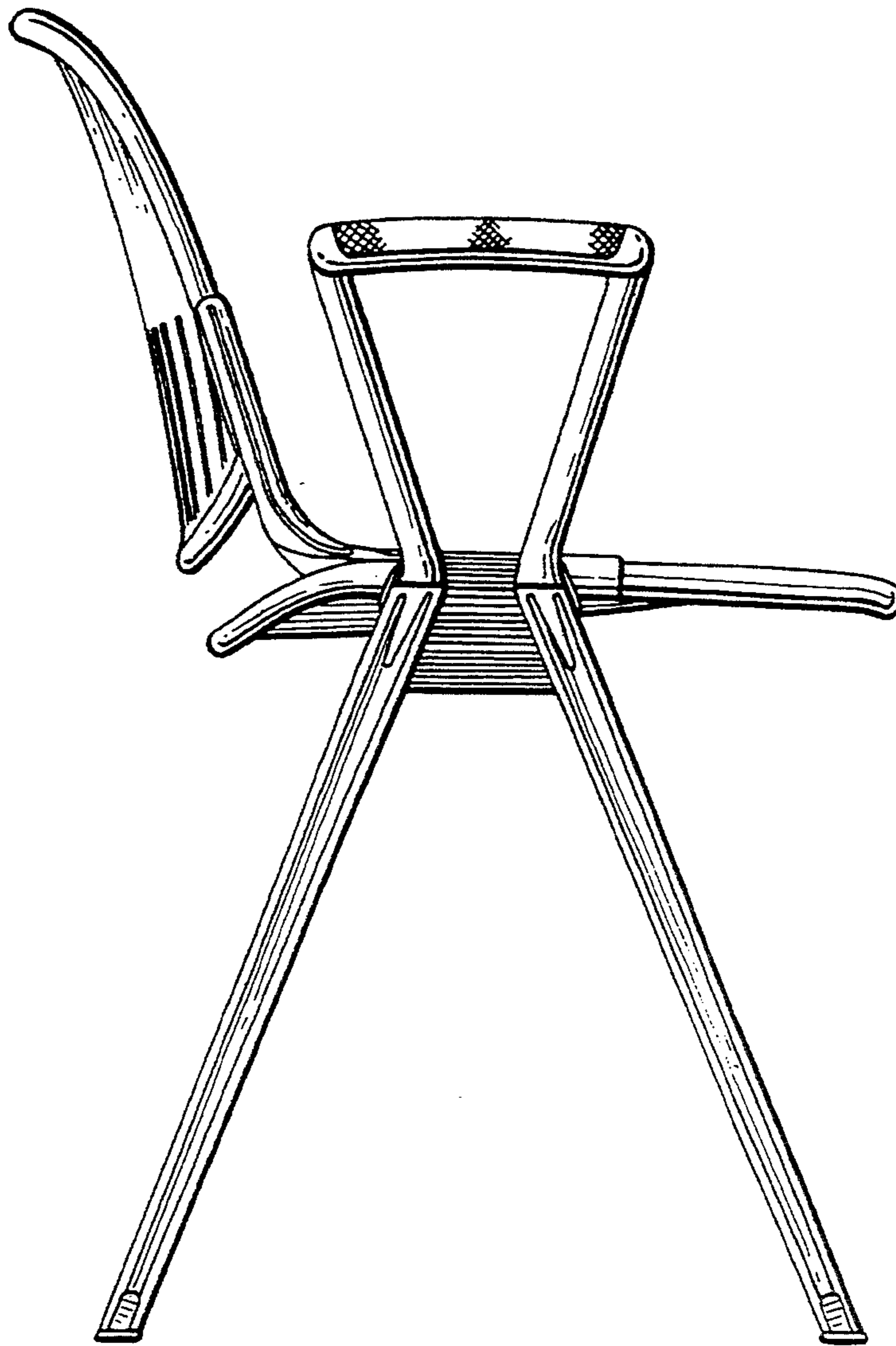


FIG. 4

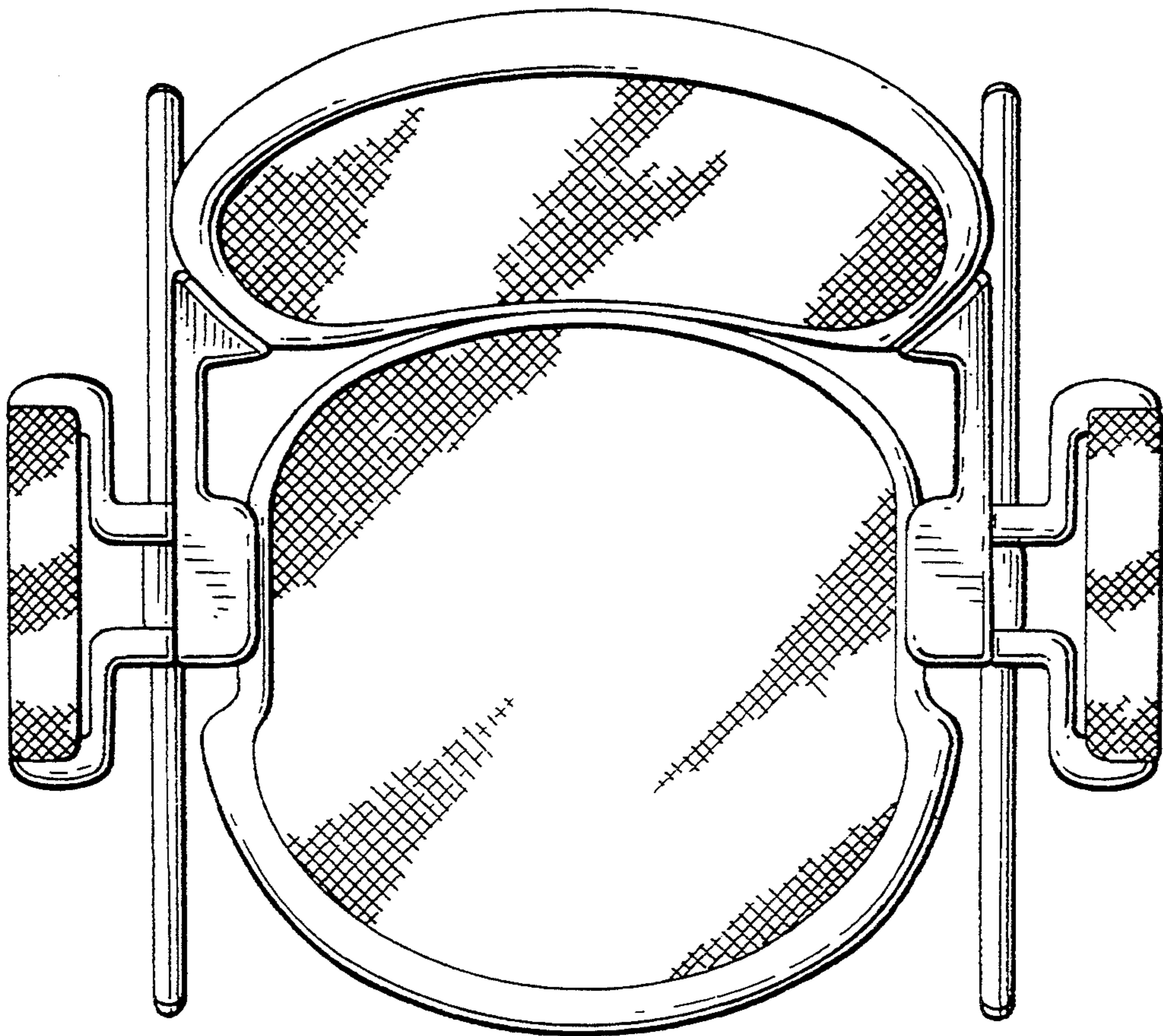


FIG. 5

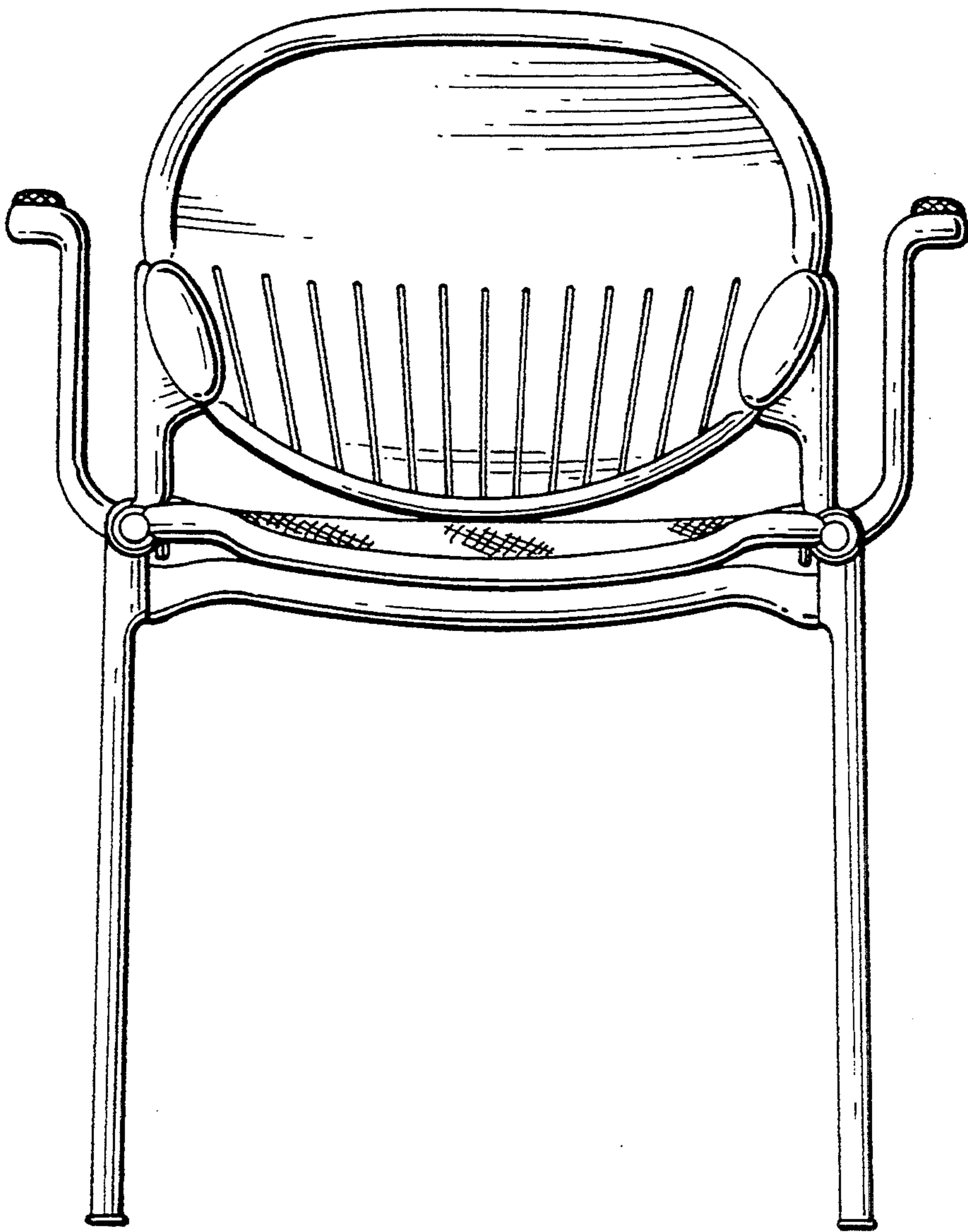


FIG. 6

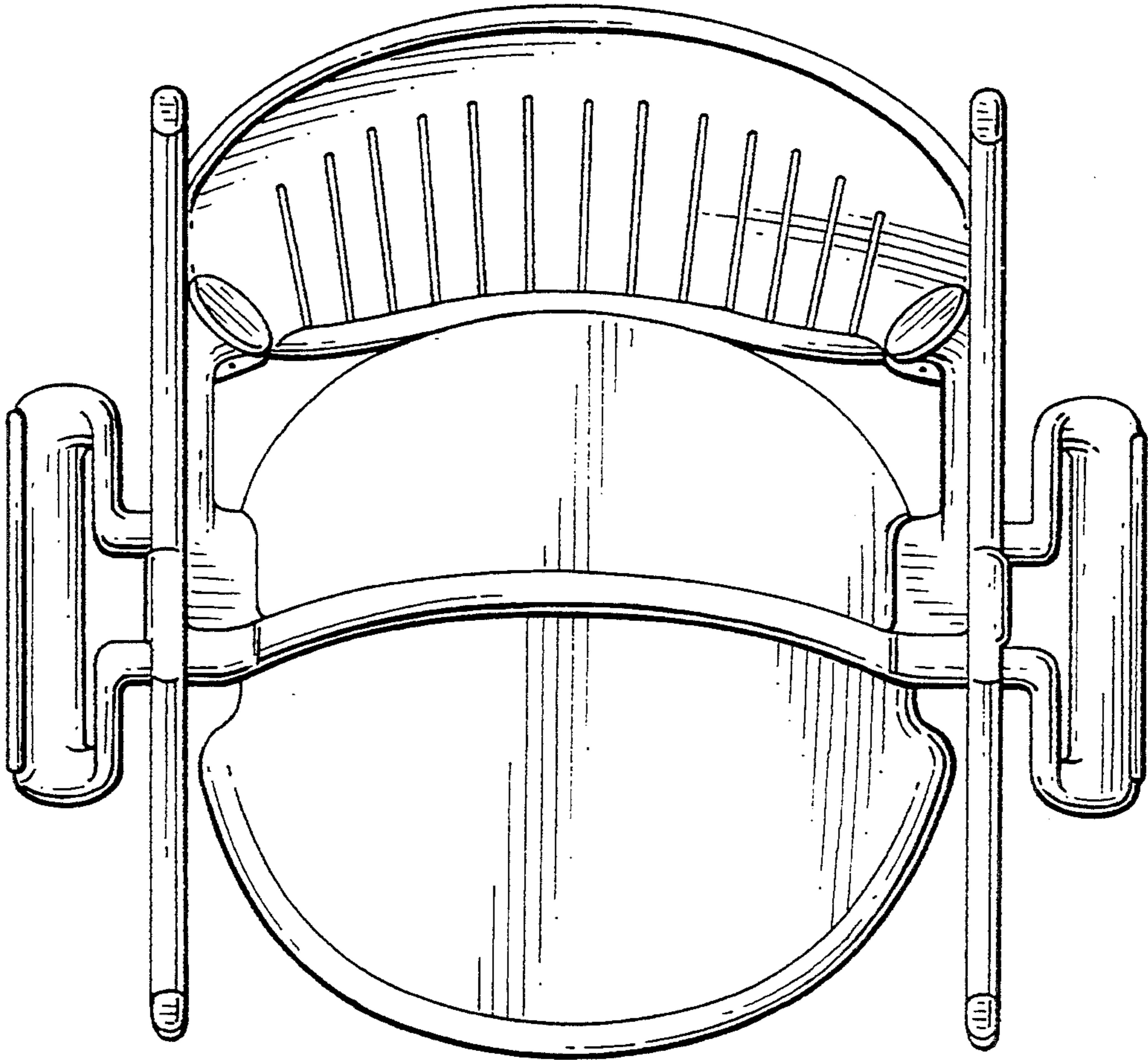


FIG. 7

