



US00D358500S

# United States Patent [19]

[11] Patent Number: **Des. 358,500**

Pedersen

[45] Date of Patent: **\*\* May 23, 1995**

[54] **ARMLESS DINING CHAIR**

[76] Inventor: **William Pedersen**, 7 W. 81st St., New York, N.Y. 10024

[\*\*] Term: **14 Years**

[21] Appl. No.: **18,920**

[22] Filed: **Feb. 17, 1994**

[52] U.S. Cl. .... **D6/371; D6/375**

[58] Field of Search ..... **D6/334, 370, 371, 373, D6/374, 375, 379, 380, 500, 501, 502; 297/452.10, 452.12, 452.15, 452.29, 452.30, 452.31**

D. 345,864 4/1994 Beaulieu ..... D6/334  
 3,700,282 10/1972 Rowland ..... D6/371 X  
 4,856,846 8/1989 Lohmeyer ..... D6/374 X

### OTHER PUBLICATIONS

Schöner Wohnen, Apr. 1985, p. 93, chair at top left.

*Primary Examiner*—Alan P. Douglas  
*Assistant Examiner*—Gary D. Watson  
*Attorney, Agent, or Firm*—Michael Ebert

### [57] CLAIM

The ornamental design for an armless dining chair, as shown.

[56] **References Cited**  
**U.S. PATENT DOCUMENTS**

D. 236,395 8/1975 Kinsman ..... D6/374 X  
 D. 266,378 10/1982 Offredi ..... D6/371  
 D. 269,748 7/1983 Berlic ..... D6/334  
 D. 284,814 7/1986 Culler ..... D6/375  
 D. 318,381 7/1991 Nugent ..... D6/375 X  
 D. 330,292 10/1992 Nguyen ..... D6/370  
 D. 332,530 1/1993 Nguyen ..... D6/370

### DESCRIPTION

FIG. 1 is a perspective view of my design for armless dining chair;  
 FIG. 2 is a front elevational view of the chair;  
 FIG. 3 is a rear elevational view of the chair;  
 FIG. 4 is a view of one side of the chair;  
 FIG. 5 is a view of the opposite side of the chair;  
 FIG. 6 is a top plan view of the chair; and,  
 FIG. 7 is a bottom plan view of the chair.

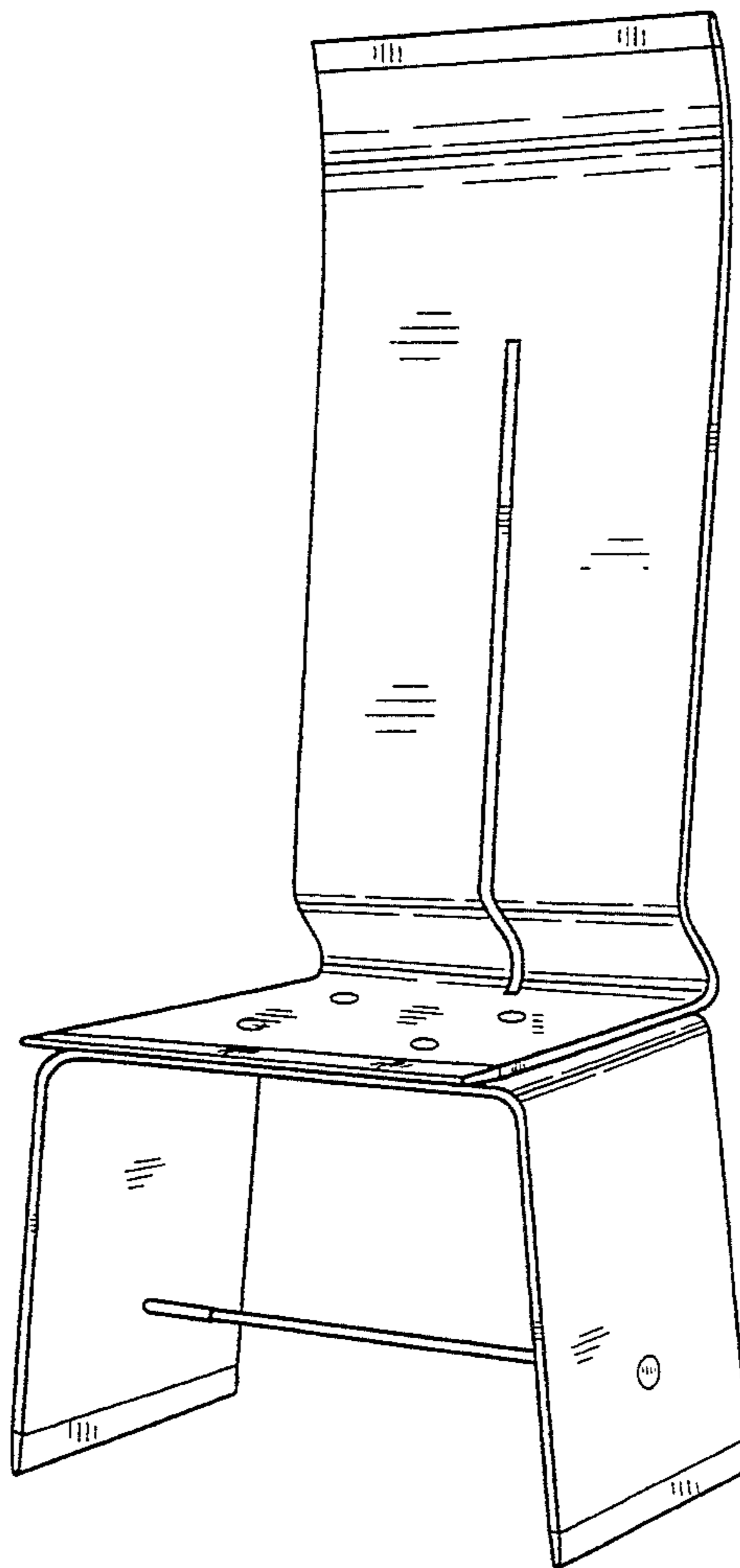


FIG. 1

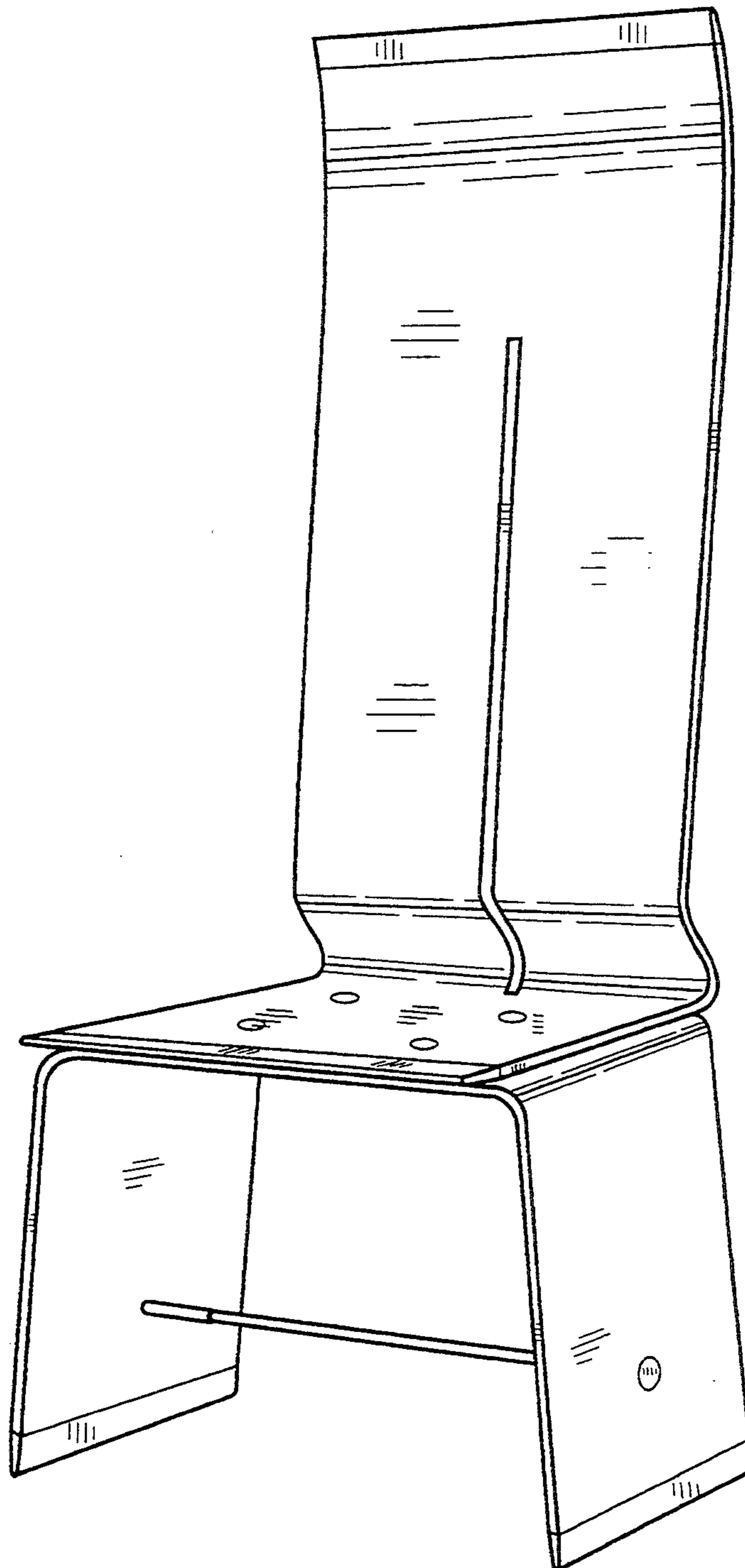


FIG. 3

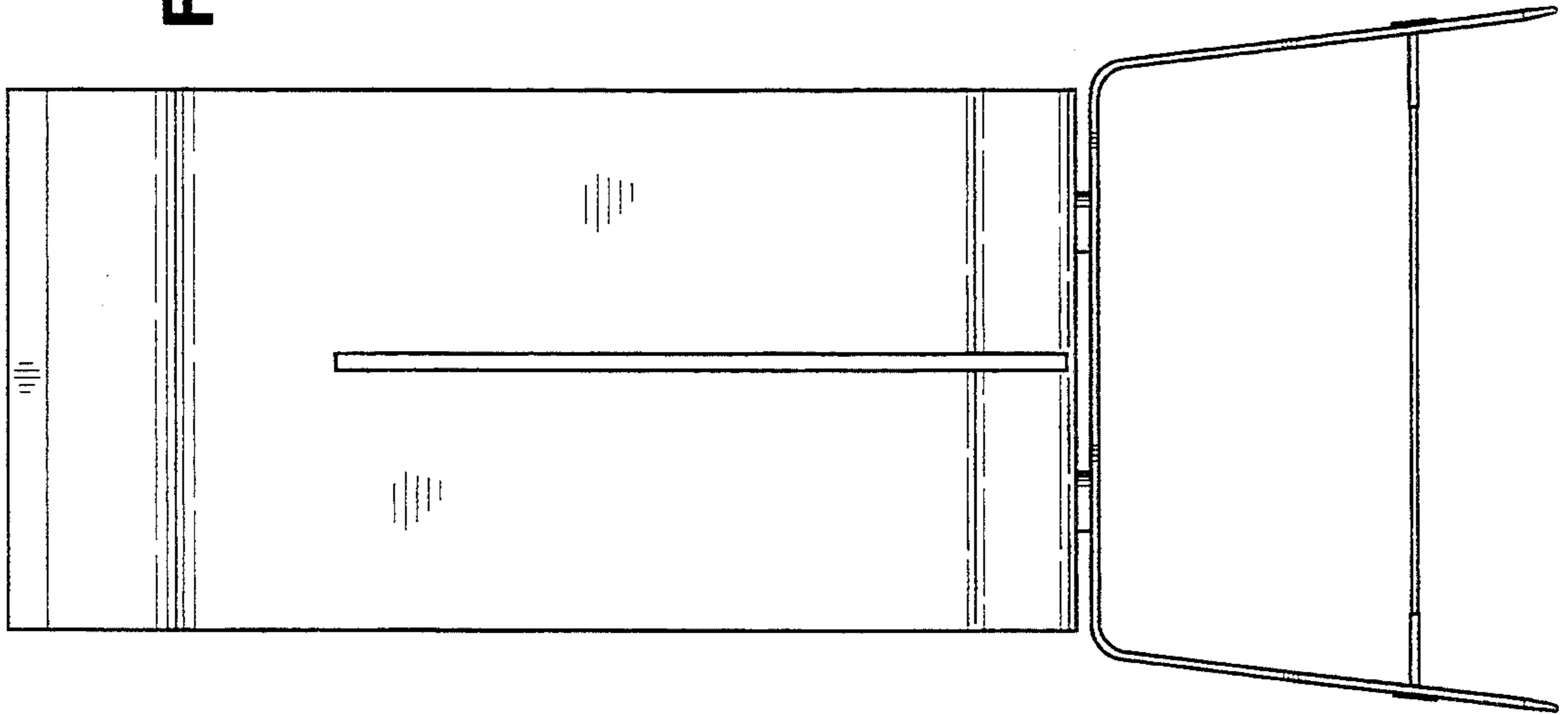


FIG. 2

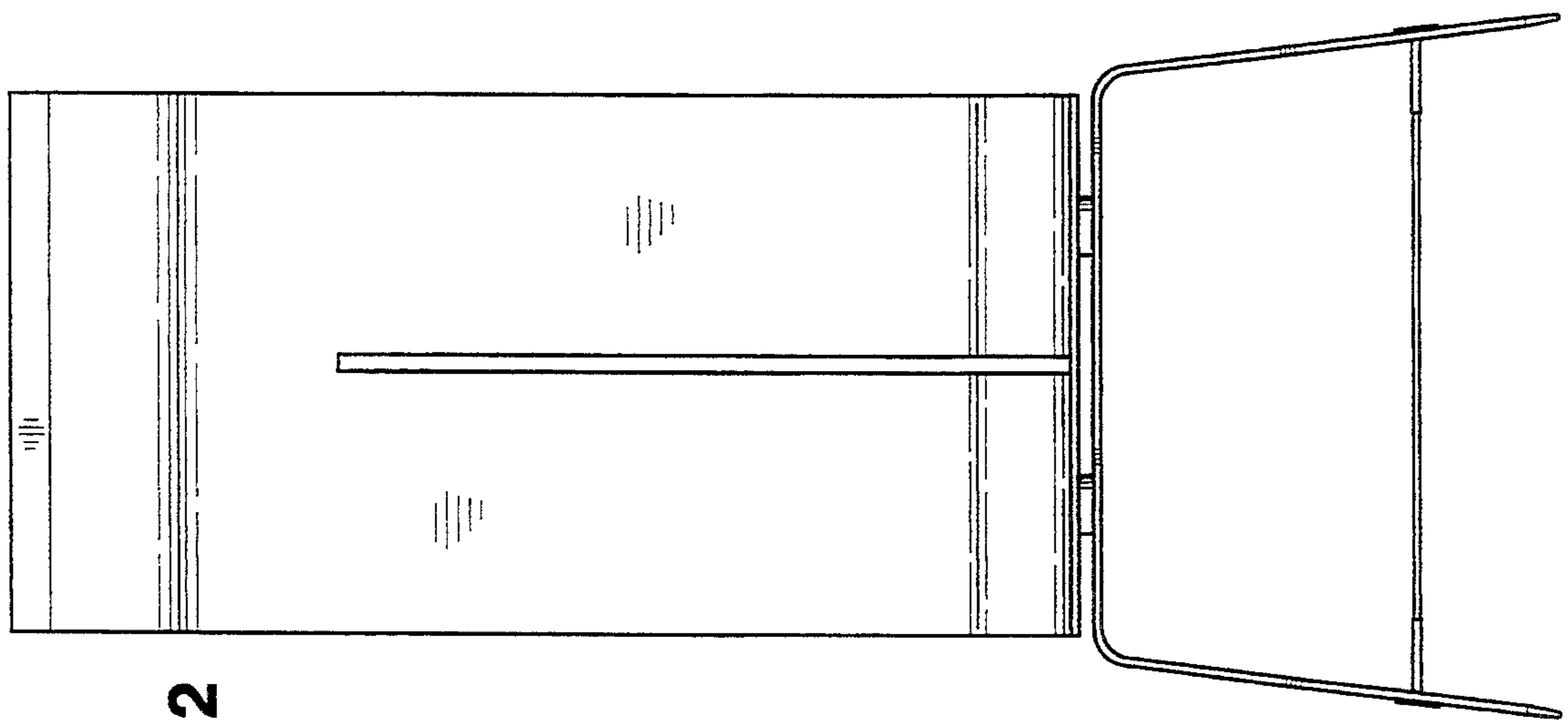


FIG. 5

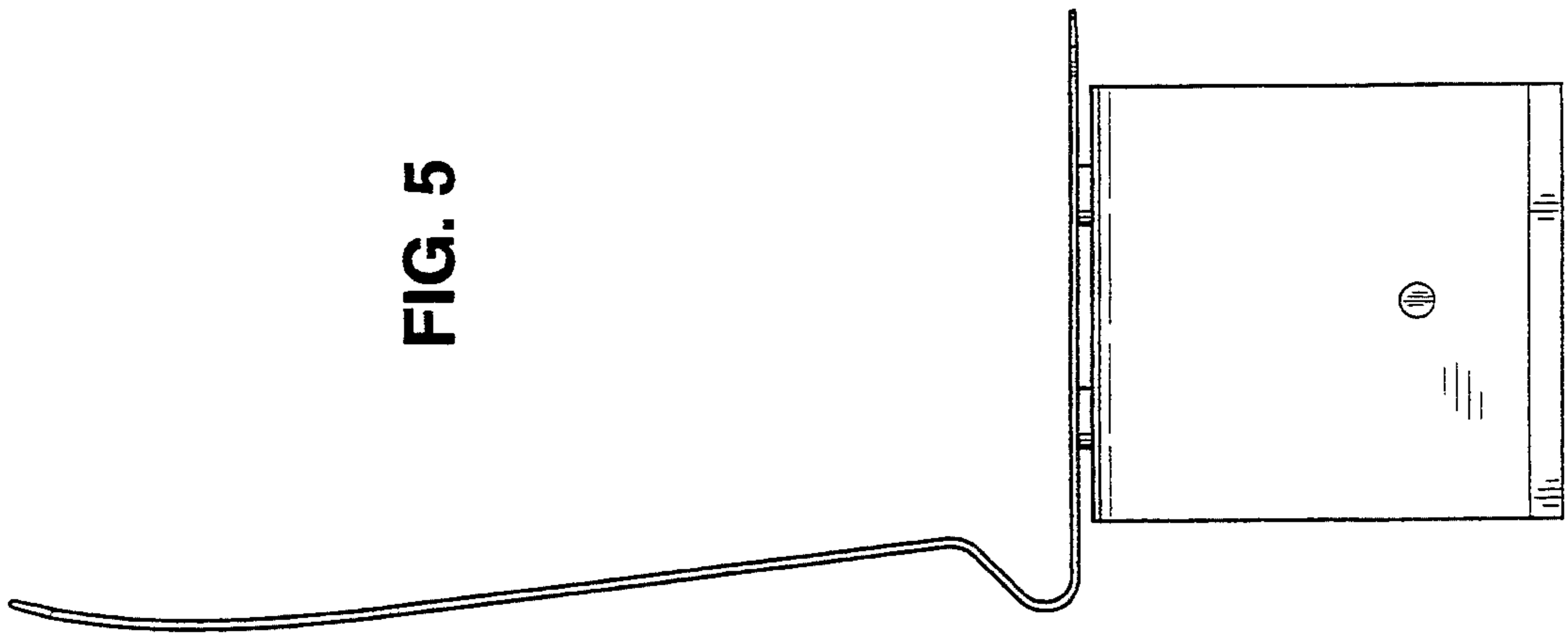
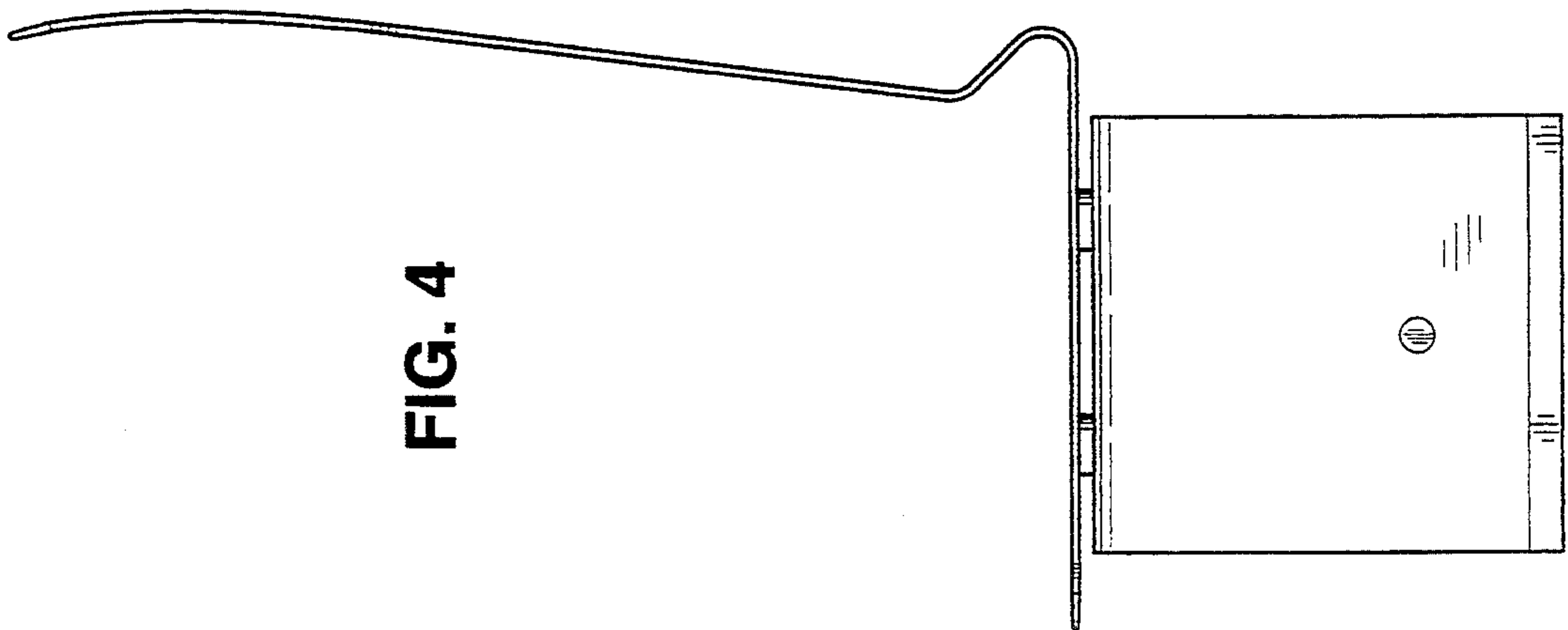
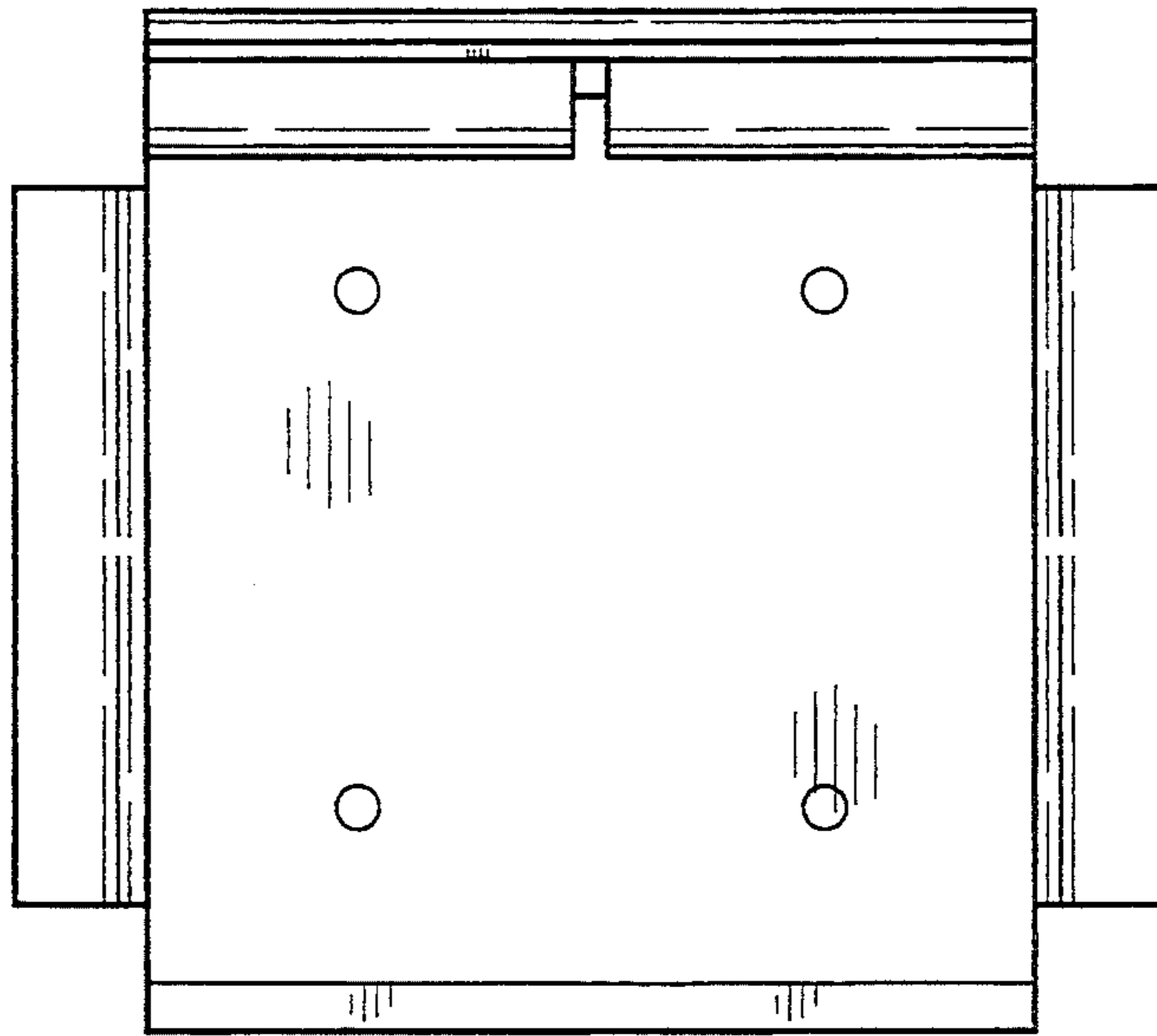


FIG. 4



**FIG. 6**



**FIG. 7**

