



US00D358498S

# United States Patent [19]

[11] Patent Number: **Des. 358,498**

**Bruns**

[45] Date of Patent: **\*\* May 23, 1995**

[54] **ERGONOMIC CHAIR**

[76] Inventor: **Timothy G. Bruns**, 627 Grand Ave.,  
St. Paul, Minn. 55105

[\*\*] Term: **14 Years**

[21] Appl. No.: **22,281**

[22] Filed: **May 3, 1994**

[52] U.S. Cl. .... **D6/366; D6/380**

[58] Field of Search ..... **D6/334, 364, 365, 366,**  
**D6/367, 379, 380, 500, 501, 502; 248/188.7;**  
**297/445, 446**

1,065,022	6/1913	Bell .	
3,142,514	7/1964	Ginat .....	D6/365 X
3,541,313	11/1970	Buzzi .....	297/195
3,669,493	6/1972	Vowles .....	297/429
3,754,787	8/1973	Garber .....	297/390
4,367,897	1/1983	Cousins .....	297/284
4,522,404	11/1985	Congleton .....	297/330
5,246,266	9/1993	Ostergaard .....	297/84

*Primary Examiner*—Alan P. Douglas  
*Assistant Examiner*—Gary D. Watson  
*Attorney, Agent, or Firm*—Merchant, Gould, Smith,  
Edell, Welter & Schmidt

[56] **References Cited**

**U.S. PATENT DOCUMENTS**

D. 135,474	4/1943	Wagner .....	D6/366
D. 135,778	6/1943	Wood .....	D6/364
D. 137,214	2/1944	Koenig .....	D6/366
D. 181,032	9/1957	Winer .....	D6/380
D. 188,656	8/1960	Wagner .....	D6/366
D. 207,102	3/1967	Hennessey .....	D6/365
D. 243,296	2/1977	Gottsegen .....	D6/334
D. 243,486	3/1977	Buhk .....	D6/366
D. 275,242	8/1984	Stephens .....	D6/360
D. 283,858	5/1986	Opsvik .....	D6/366

[57] **CLAIM**

The ornamental design for an ergonomic chair, as shown and described.

**DESCRIPTION**

FIG. 1 is a perspective view of the ergonomic chair embodying my new design;  
FIG. 2 is a frontal view thereof;  
FIG. 3 is a rear view thereof;  
FIG. 4 is a top plan view thereof;  
FIG. 5 is a bottom plan view thereof; and,  
FIG. 6 is a side view thereof.

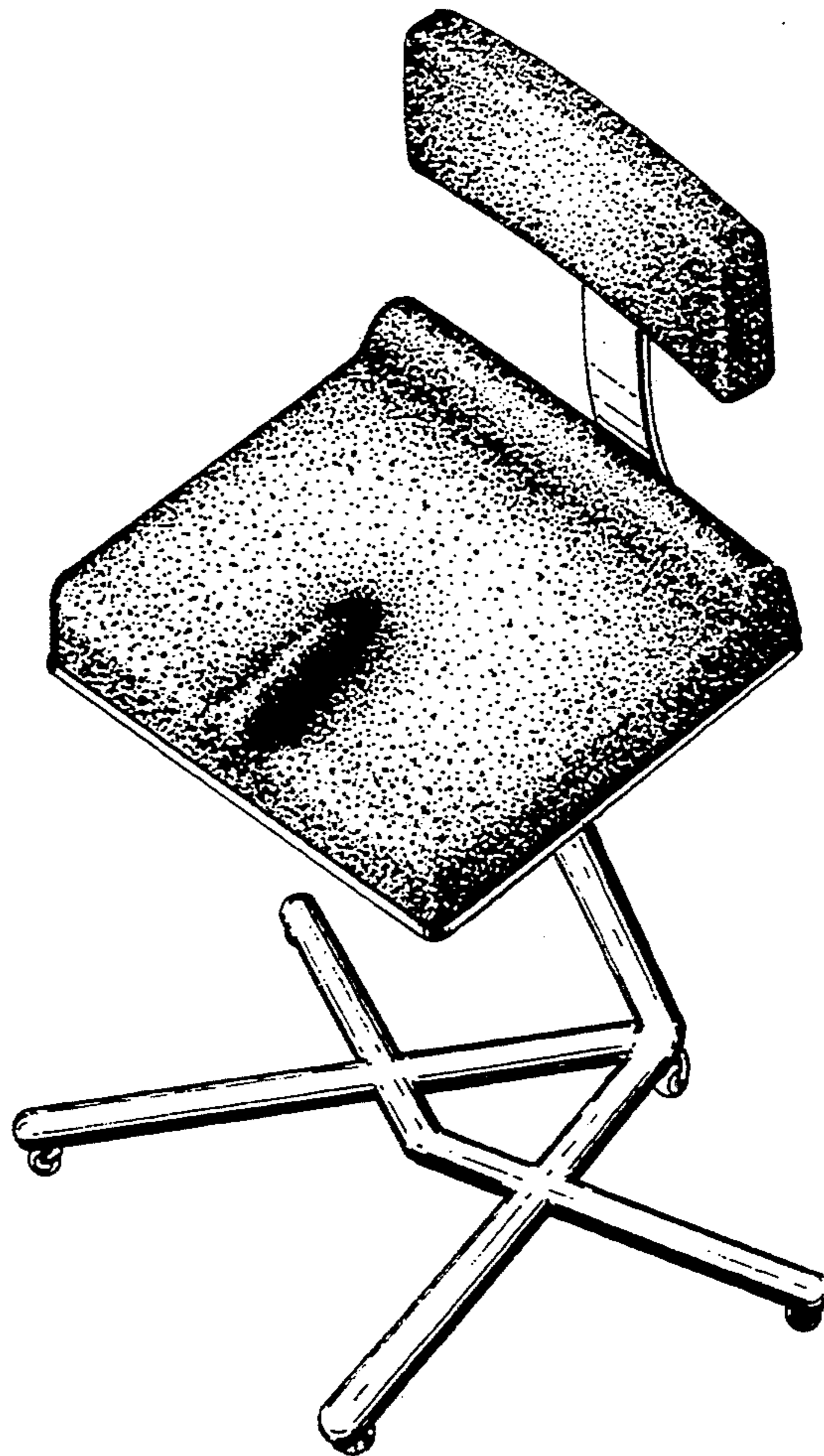


FIG. 1

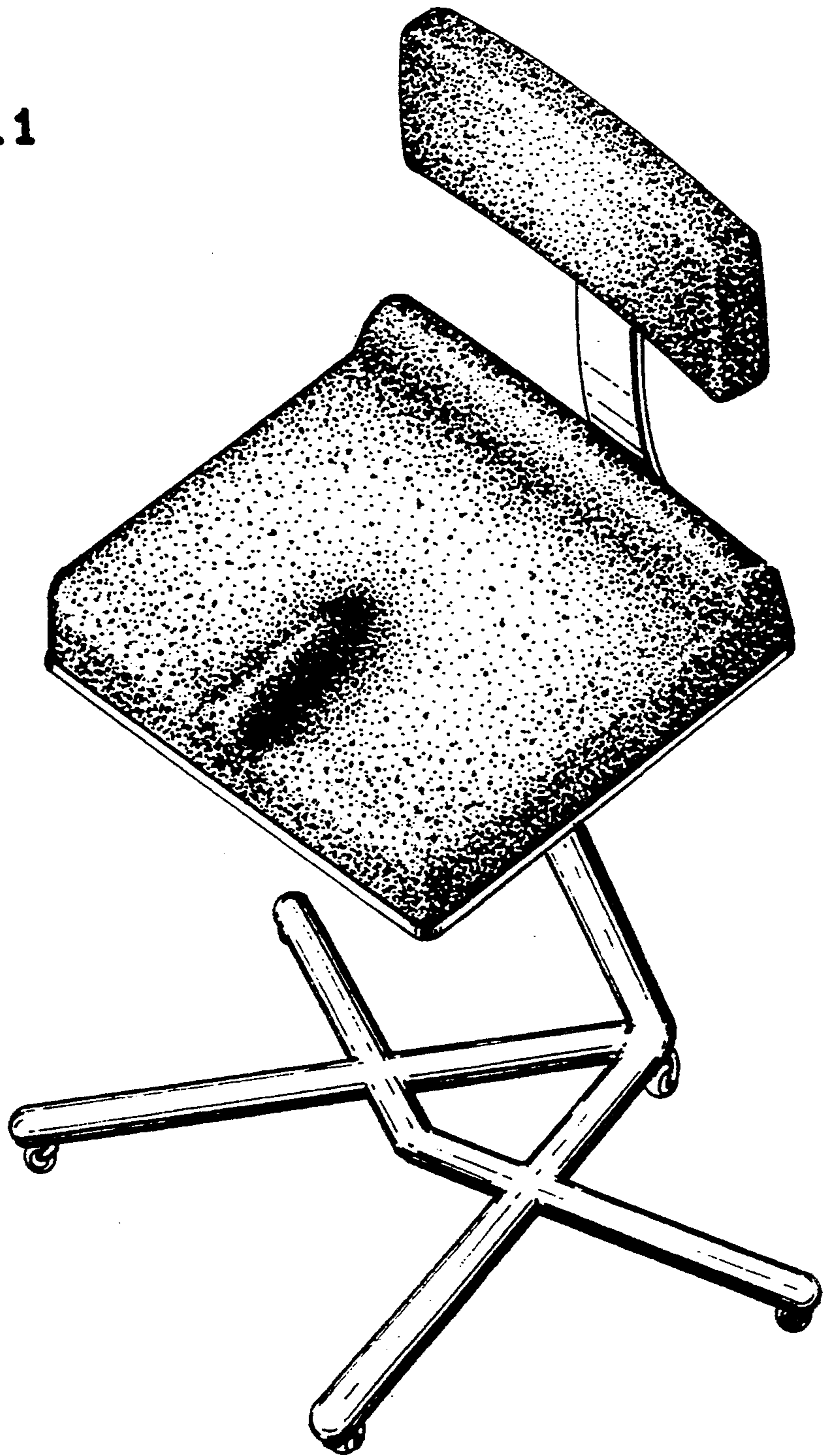


FIG. 2

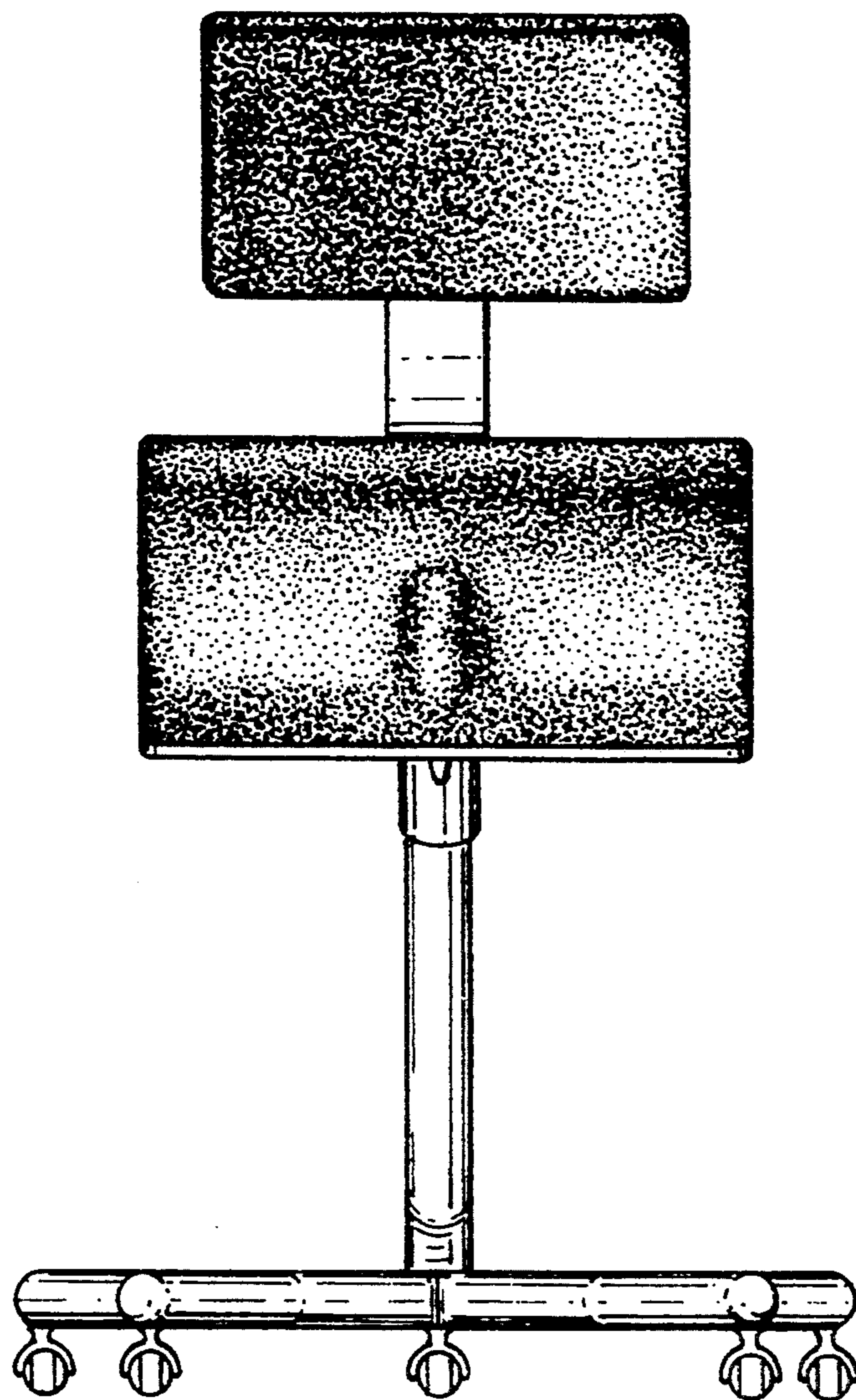


FIG.3

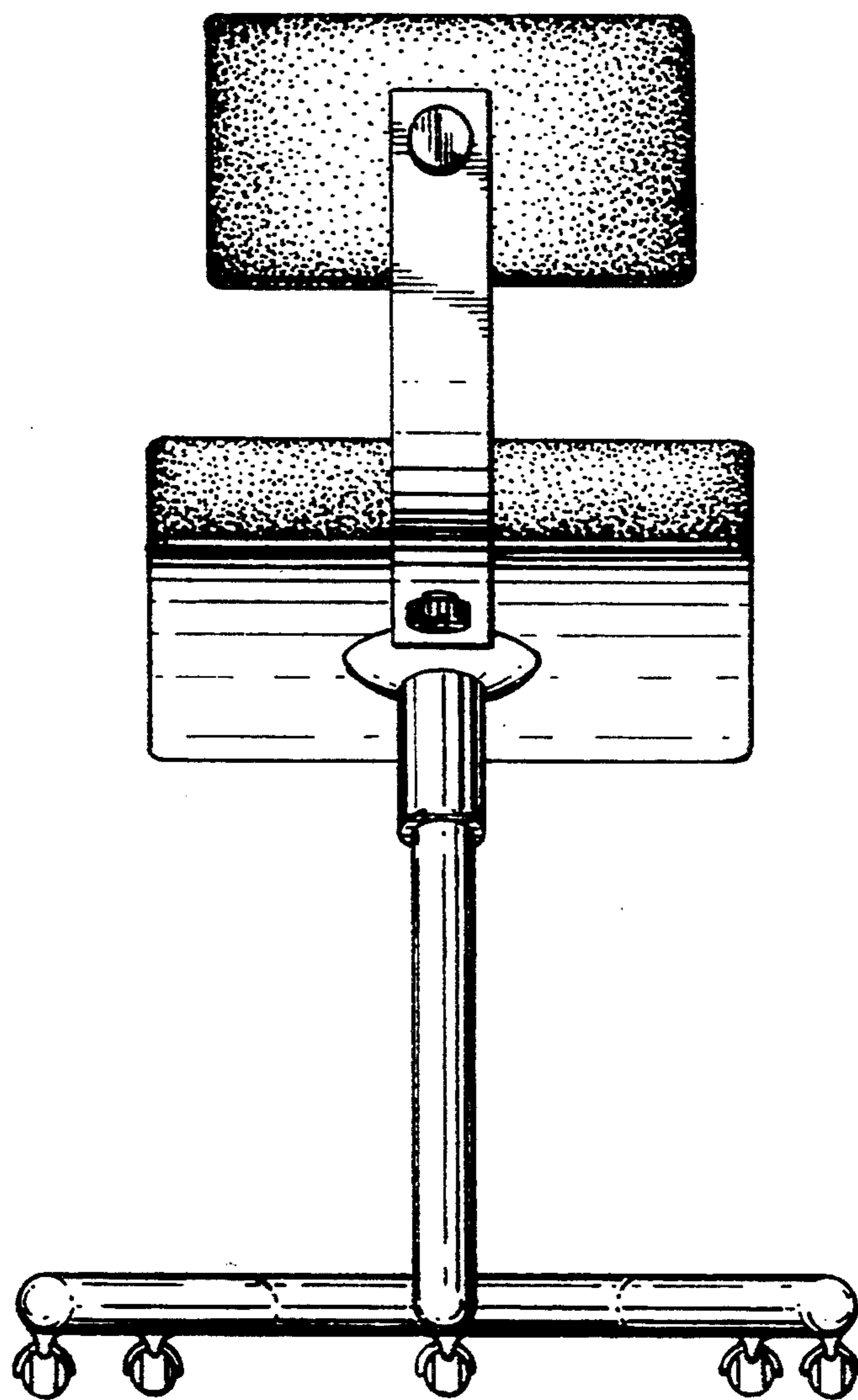


FIG. 4

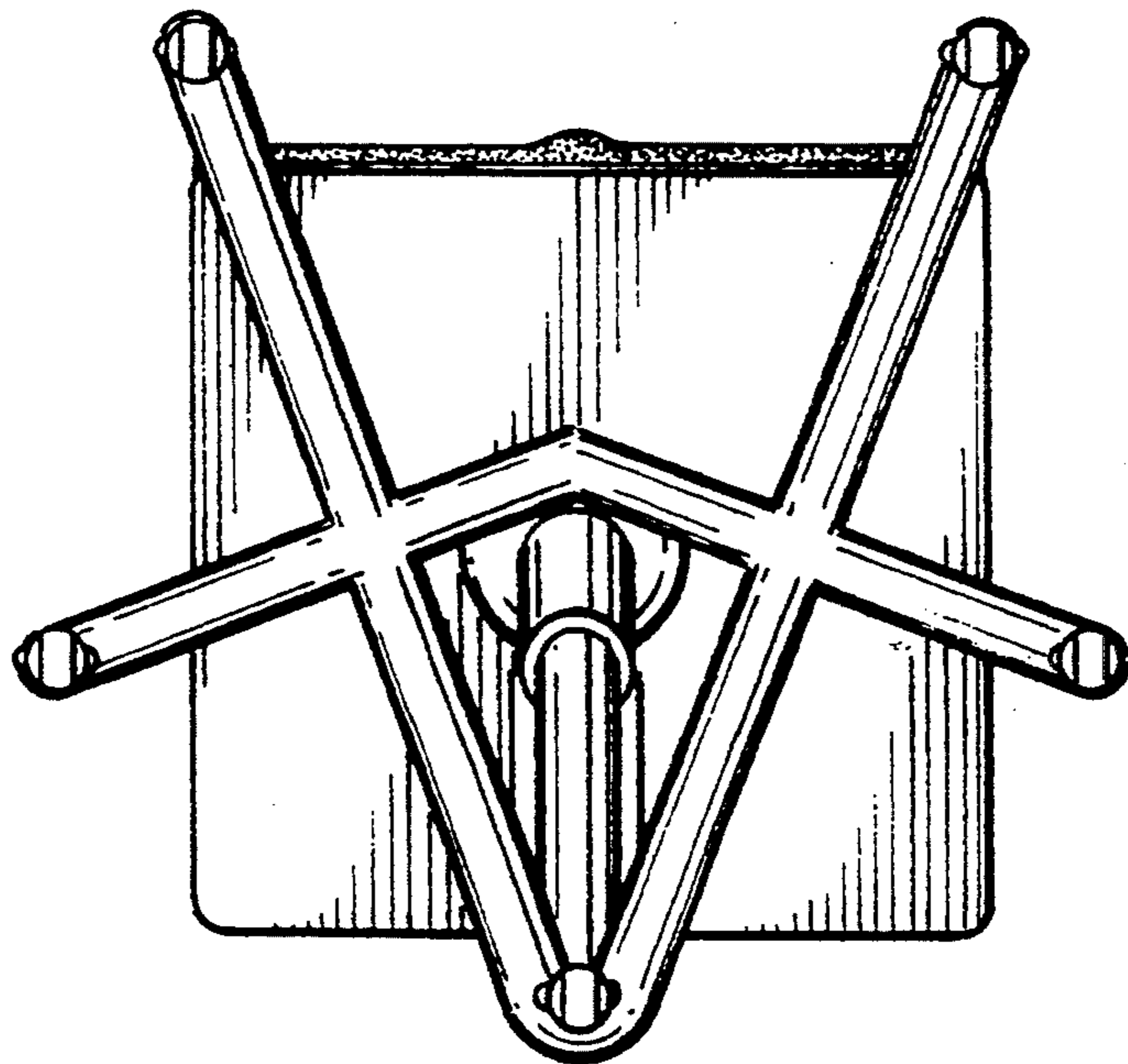
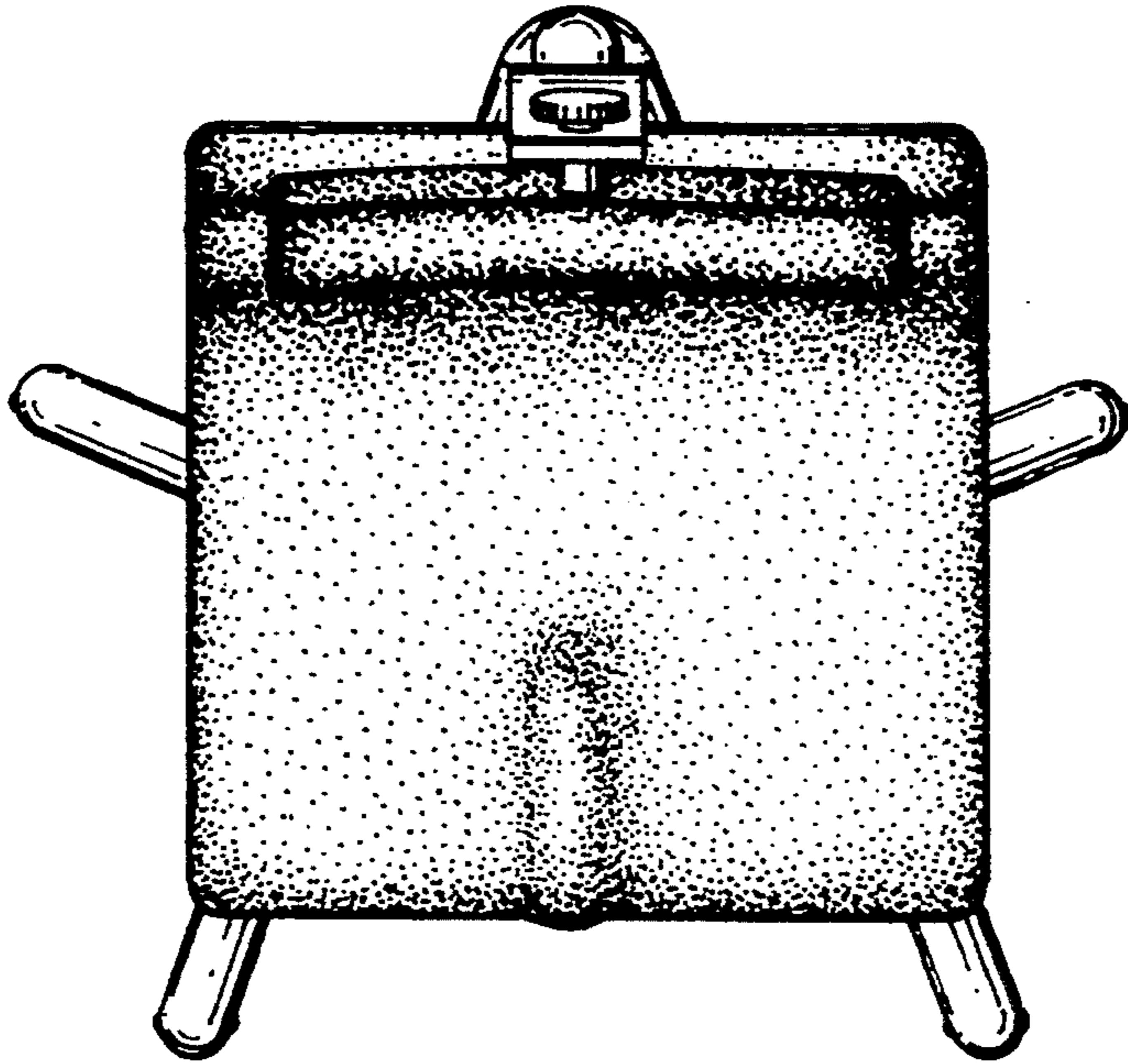


FIG. 5

FIG. 6

