



US00D358497S

# United States Patent [19]

Jones et al.

[11] Patent Number: **Des. 358,497**

[45] Date of Patent: **\*\* May 23, 1995**

- [54] **MOVABLE LOUNGE CHAIR**
- [76] Inventors: **Joy G. Jones; Ed G. Jones**, both of  
1440 Wolfe La. A-17, Mt. Carmel,  
Tenn. 37645
- [\*\*] Term: **14 Years**
- [21] Appl. No.: **16,859**
- [22] Filed: **Dec. 28, 1993**
- [52] U.S. Cl. .... **D6/361**
- [58] Field of Search ..... **D6/334, 335, 360, 361,**  
**D6/364, 365, 367, 368, 370, 374, 375, 500, 501,**  
**502; 297/217, 344.23**

- 4,379,588 4/1983 Speice .
- 4,648,143 3/1987 Breaux et al. .
- 4,765,542 8/1988 Carlson .
- 5,211,172 5/1993 McGuane et al. .... 297/217 X

*Primary Examiner*—Alan P. Douglas  
*Assistant Examiner*—Gary D. Watson  
*Attorney, Agent, or Firm*—Terry M. Gernstein

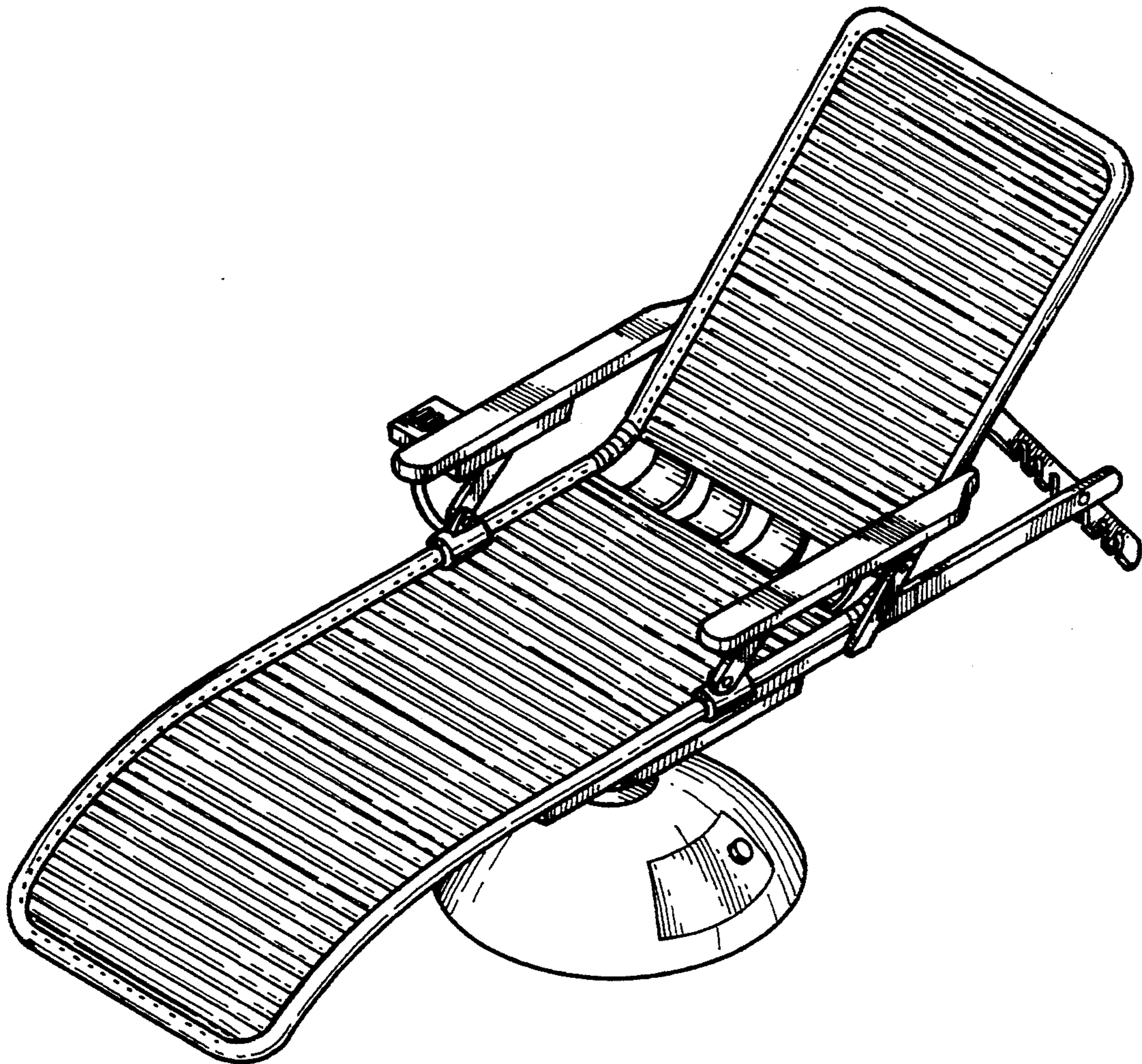
### [57] CLAIM

The ornamental design for a movable lounge chair, as shown and described.

### DESCRIPTION

FIG. 1 is a front, top and side perspective view of the movable lounge chair showing our new design; FIG. 2 is a front elevational view thereof; FIG. 3 is a rear elevational view thereof; FIG. 4 is a side elevational view thereof; FIG. 5 is a side elevational view thereof; FIG. 6 is a top plan view thereof; and, FIG. 7 is a bottom plan view thereof.

- [56] **References Cited**
- U.S. PATENT DOCUMENTS**
- D. 176,813 1/1956 Parker ..... D6/361
- D. 233,810 12/1974 Uyeda ..... D6/361
- D. 310,921 10/1990 Nagengast et al. .... D6/361
- D. 350,240 9/1994 Carstarphen ..... D6/361



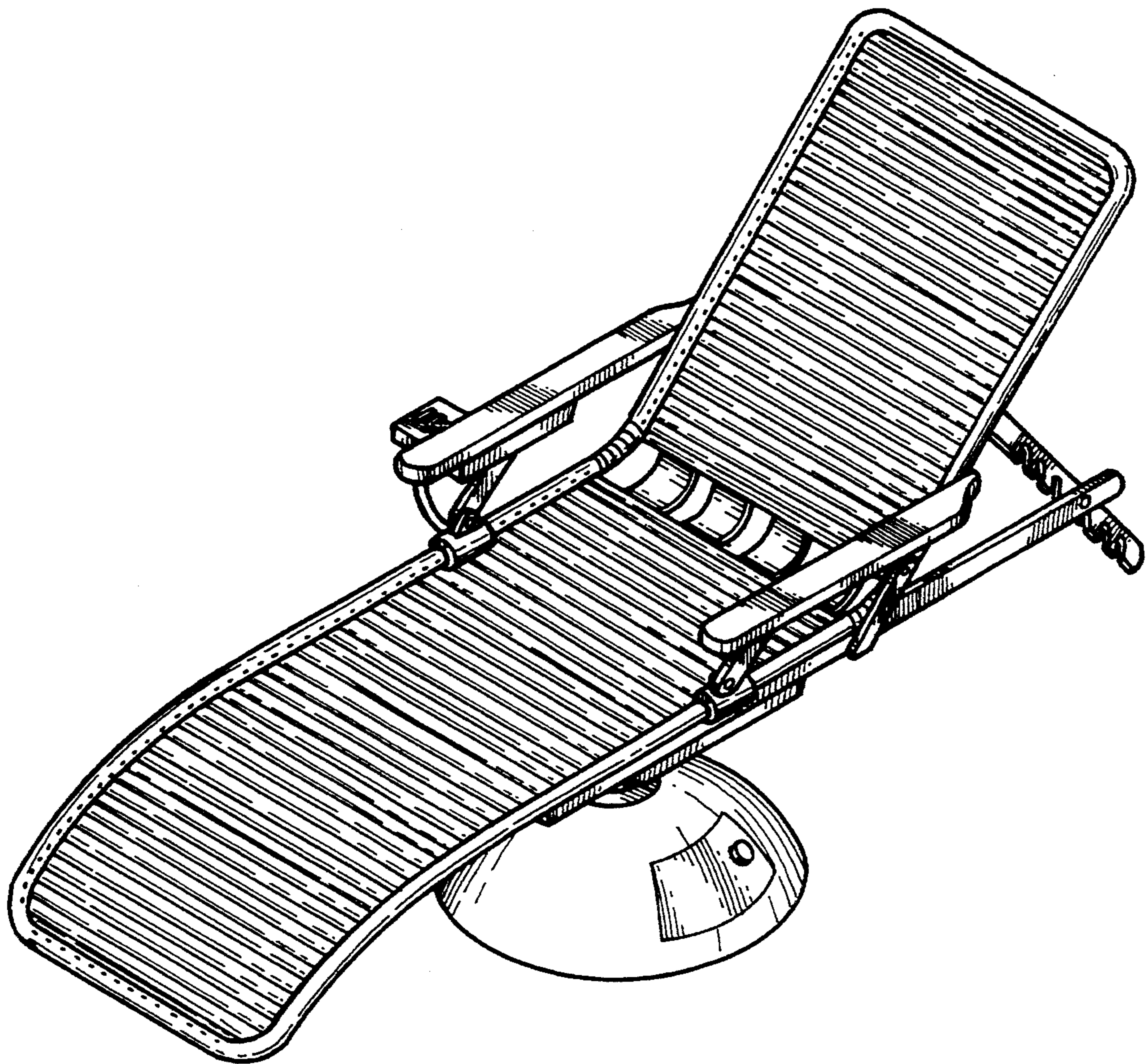


FIG. 1

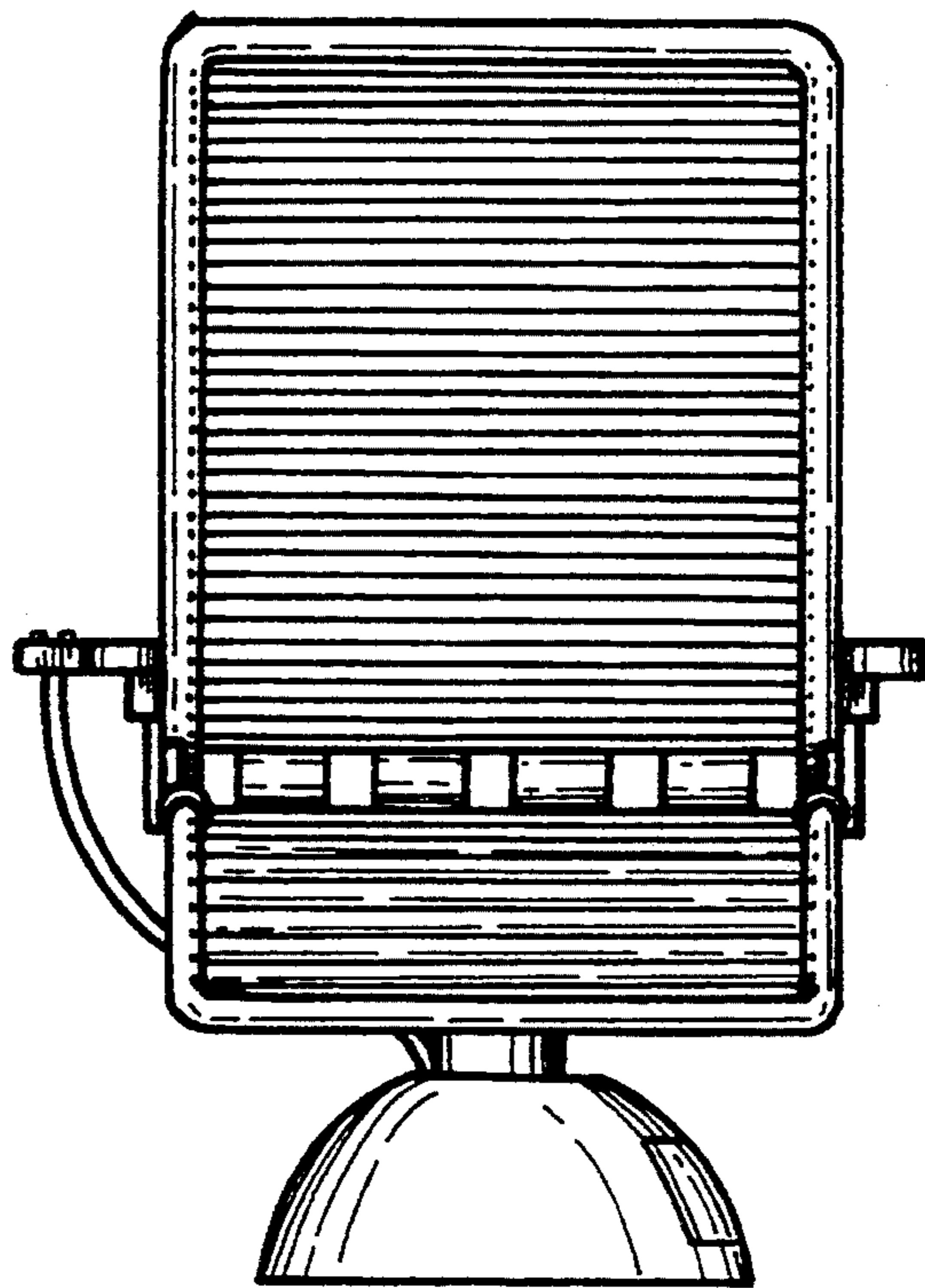


FIG. 2

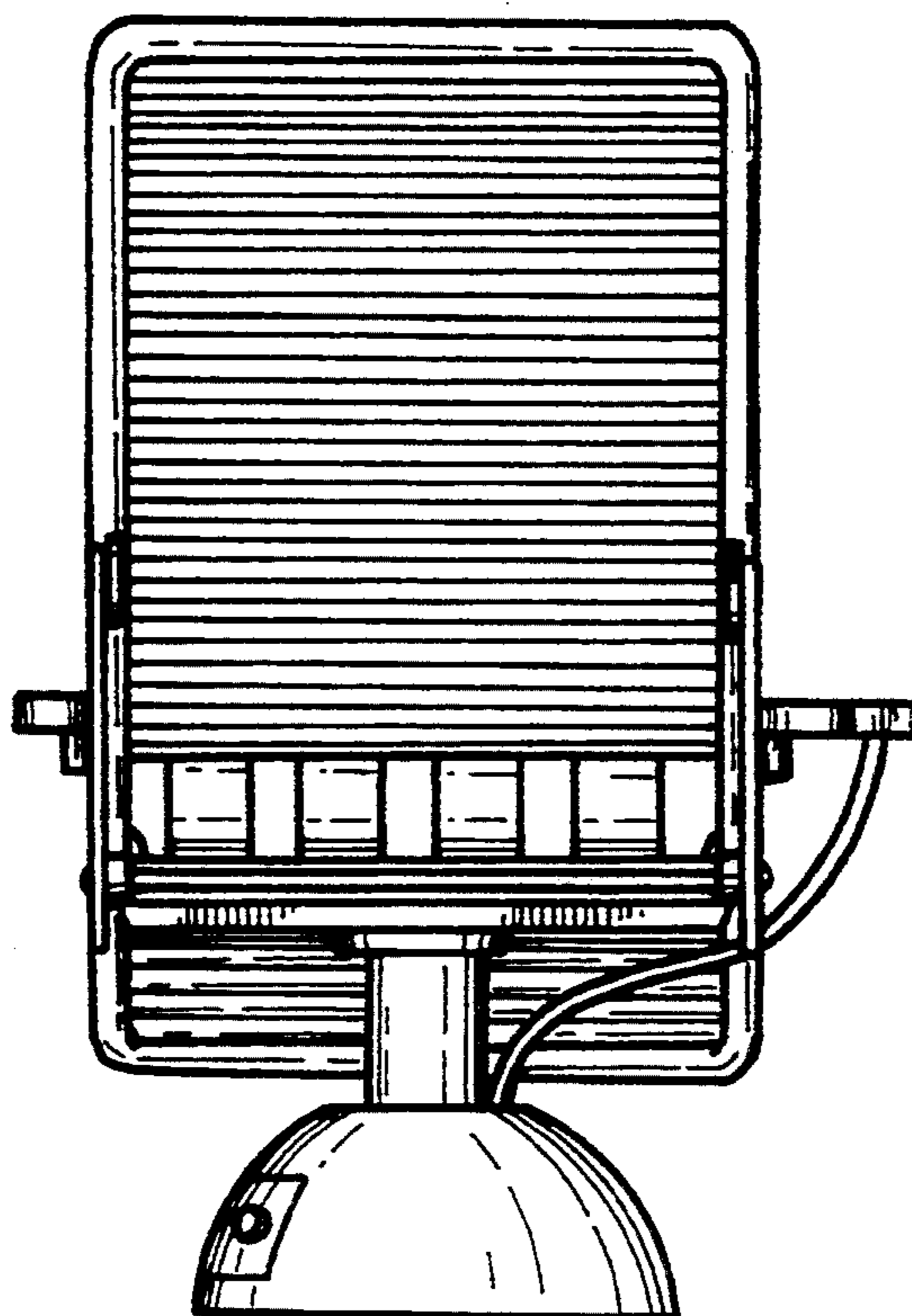


FIG. 3

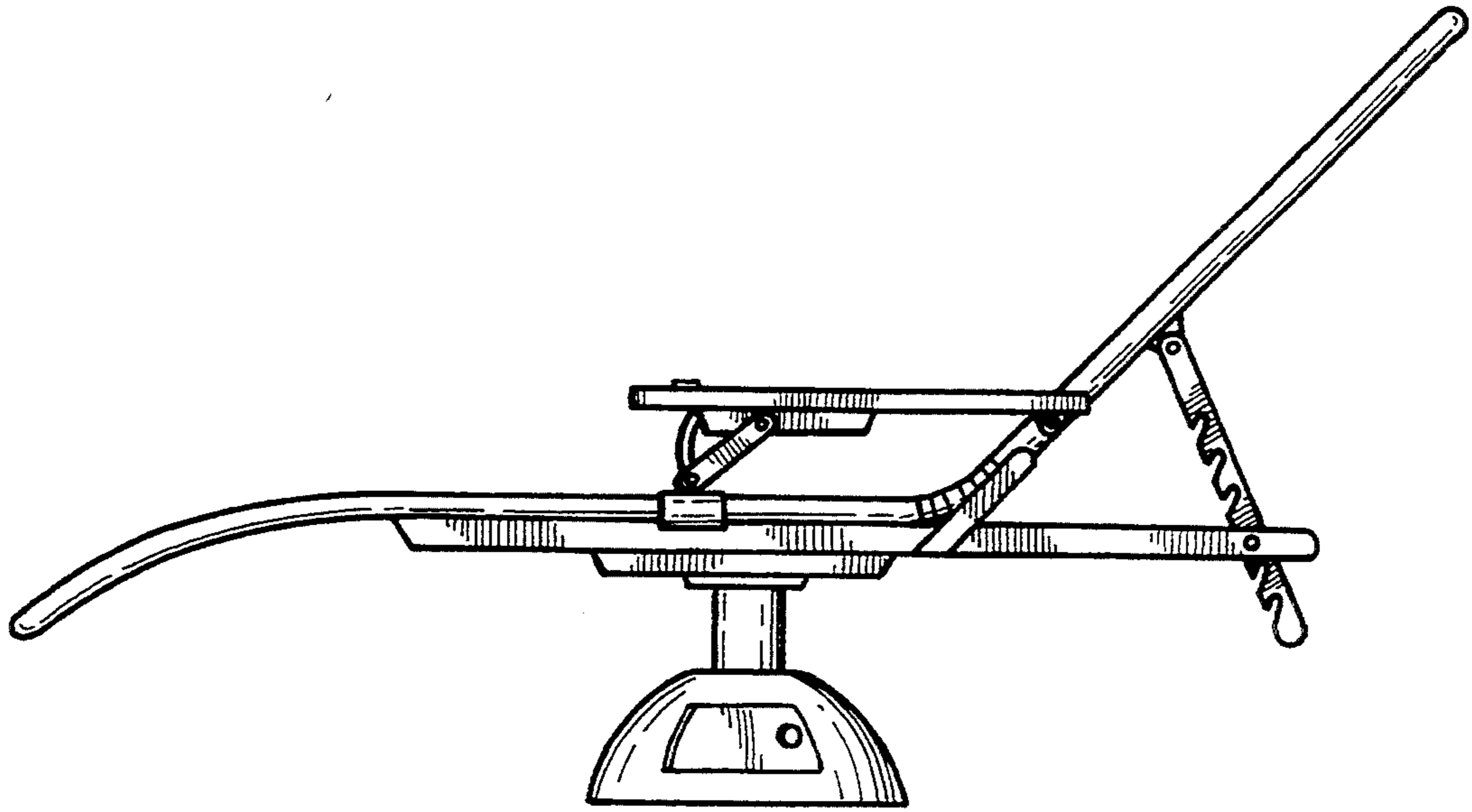


FIG. 4

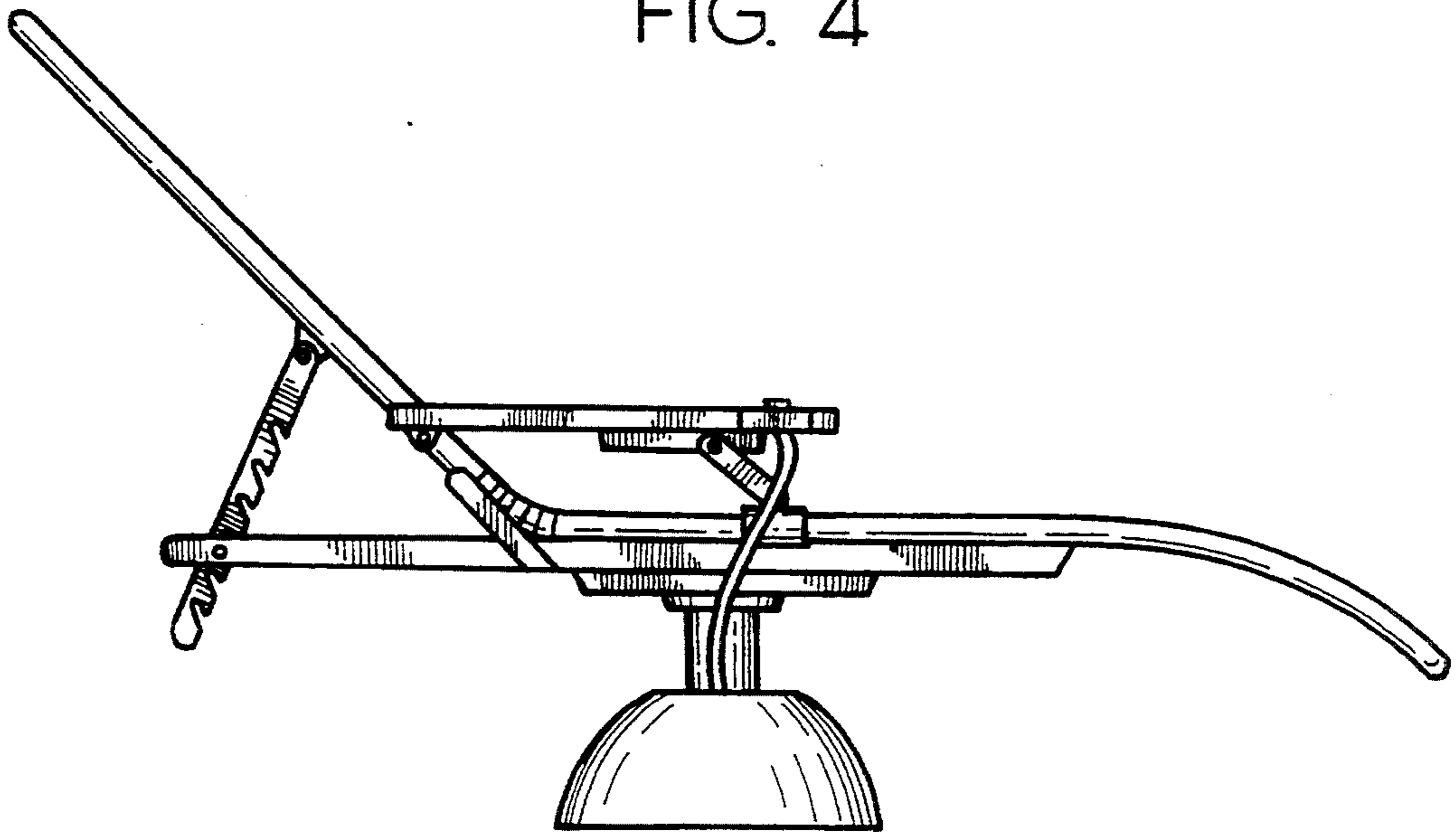


FIG. 5

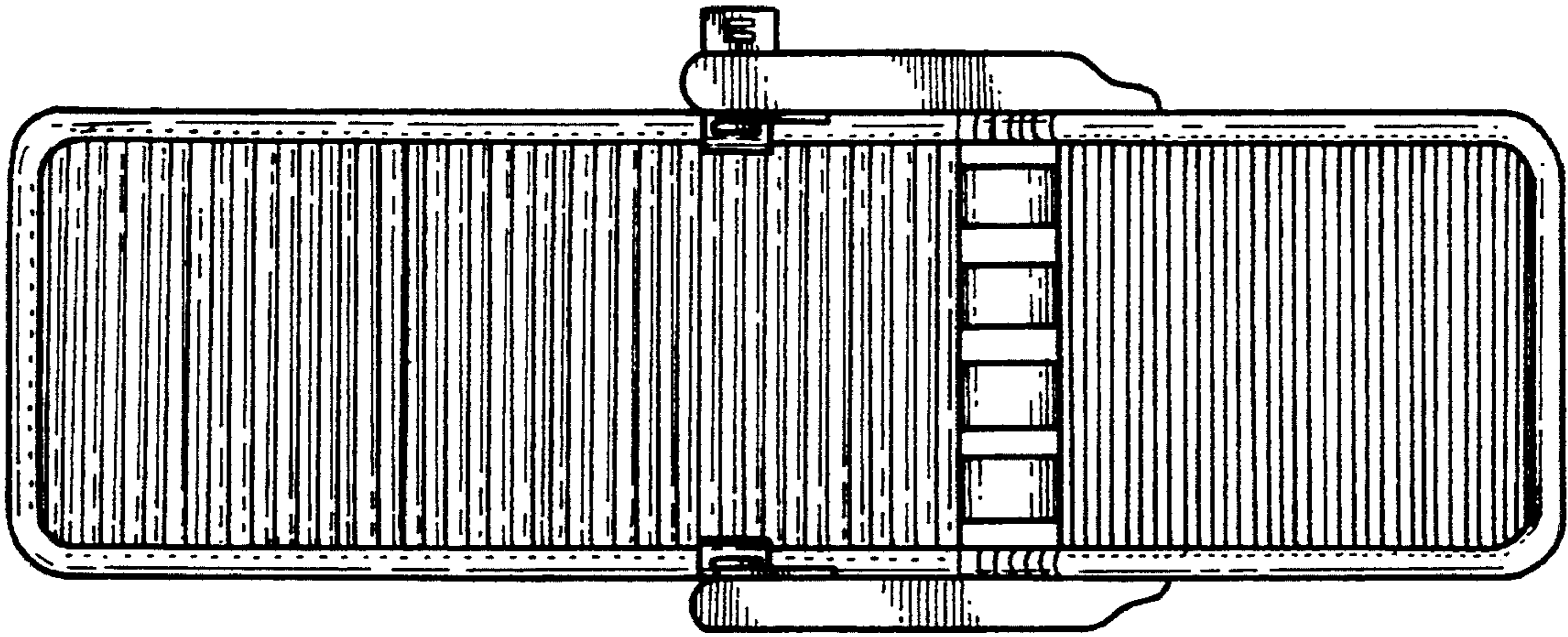


FIG. 6

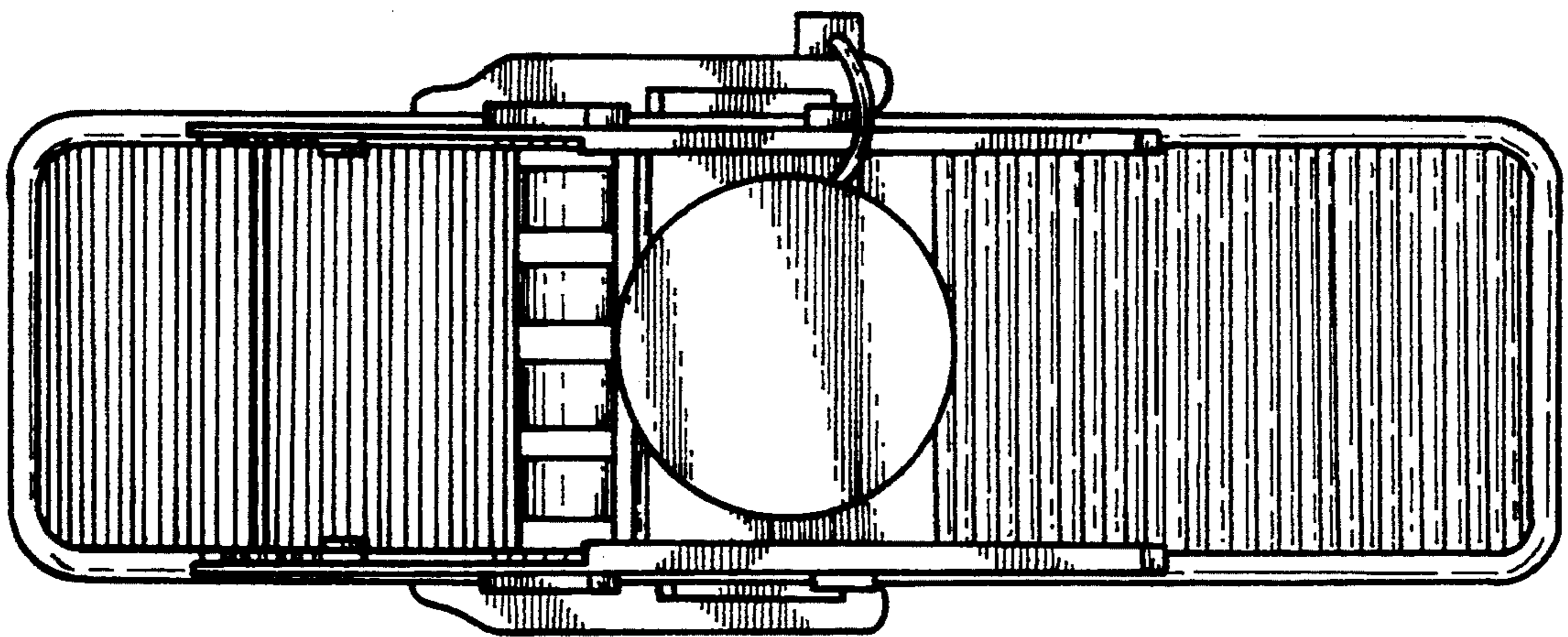


FIG. 7