



US00D358495S

United States Patent [19] Miles

[11] Patent Number: **Des. 358,495**

[45] Date of Patent: **** May 23, 1995**

[54] **ROCKER**

[76] Inventor: **James L. Miles**, Rte. 2, Box 47,
Ridgeville, Ind. 47380

[**] Term: **14 Years**

[21] Appl. No.: **895,821**

[22] Filed: **Jun. 5, 1992**

[52] U.S. Cl. **D6/348; D6/344**

[58] Field of Search **D6/334, 344, 345, 347,
D6/351, 358, 359, 370, 374; 293/273, 277, 280,
281, 282; D21/121, 123**

D. 329,758 9/1992 Meeker D6/381
D. 333,575 3/1993 Hanson D21/123 X
D. 335,224 5/1993 Freeman et al. D6/345 X

Primary Examiner—Louis S. Zarfes
Assistant Examiner—Monica A. Hannon

[57] CLAIM

The ornamental design for a rocker, as shown and described.

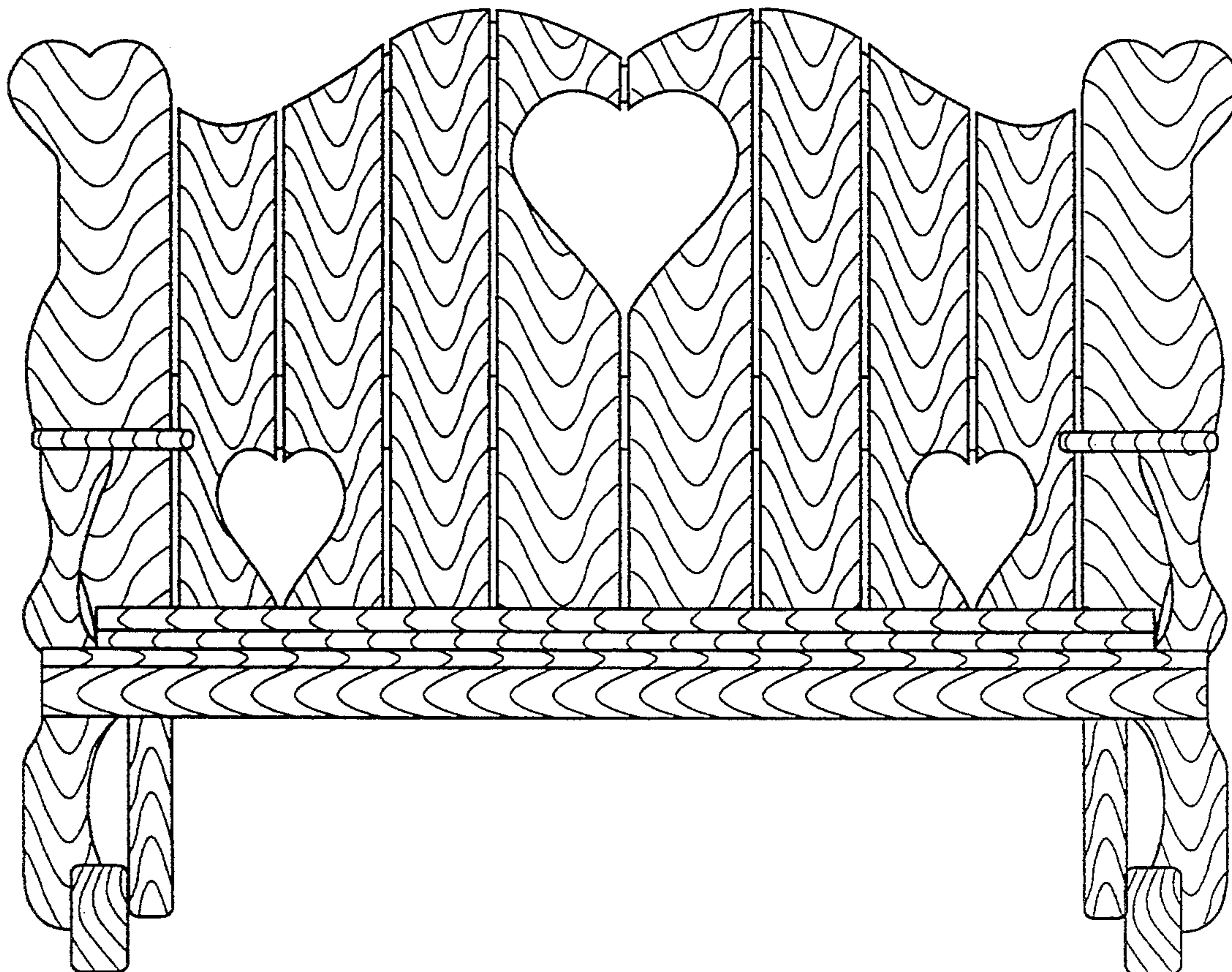
DESCRIPTION

FIG. 1 is a front elevational view of a rocker showing my new design;
FIG. 2 is a right side elevational view, the left side being a mirror image thereof;
FIG. 3 is a top plan view thereof;
FIG. 4 is a bottom plan view thereof; and,
FIG. 5 is a rear elevational view thereof.

[56] References Cited

U.S. PATENT DOCUMENTS

D. 328,821 8/1992 Wooding et al. D6/344
D. 329,757 9/1992 Meeker D6/370 X



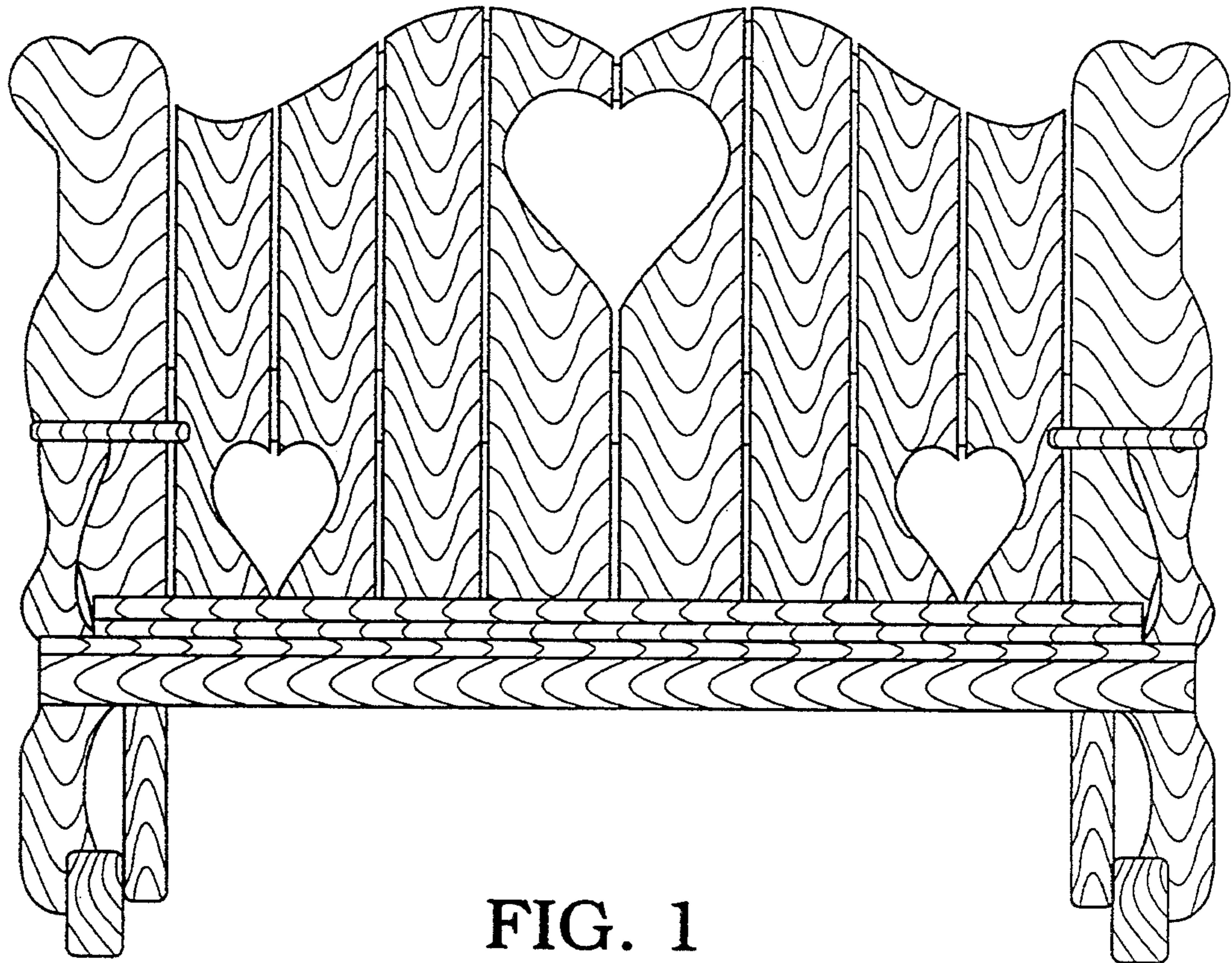


FIG. 1

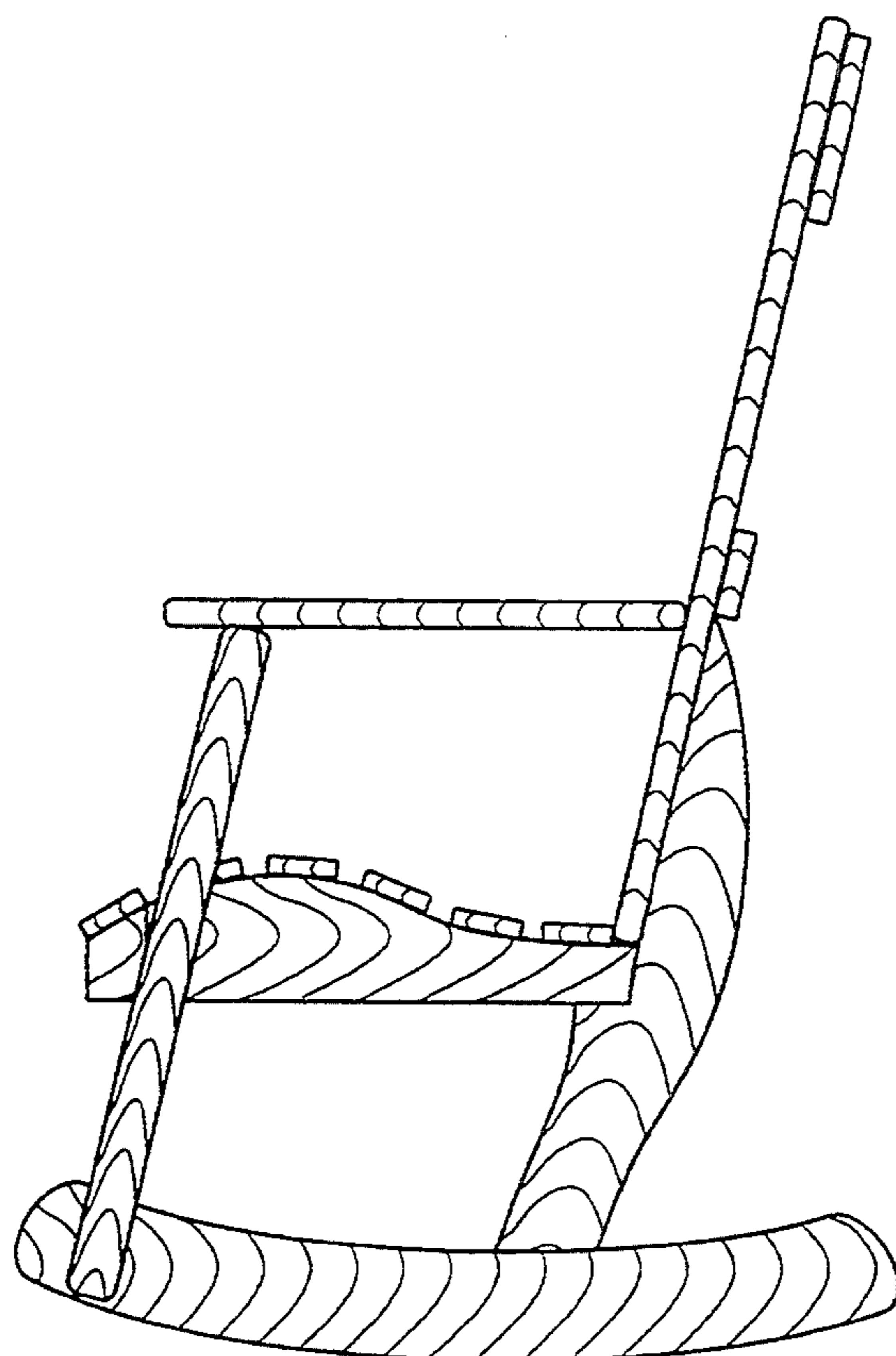


FIG. 2

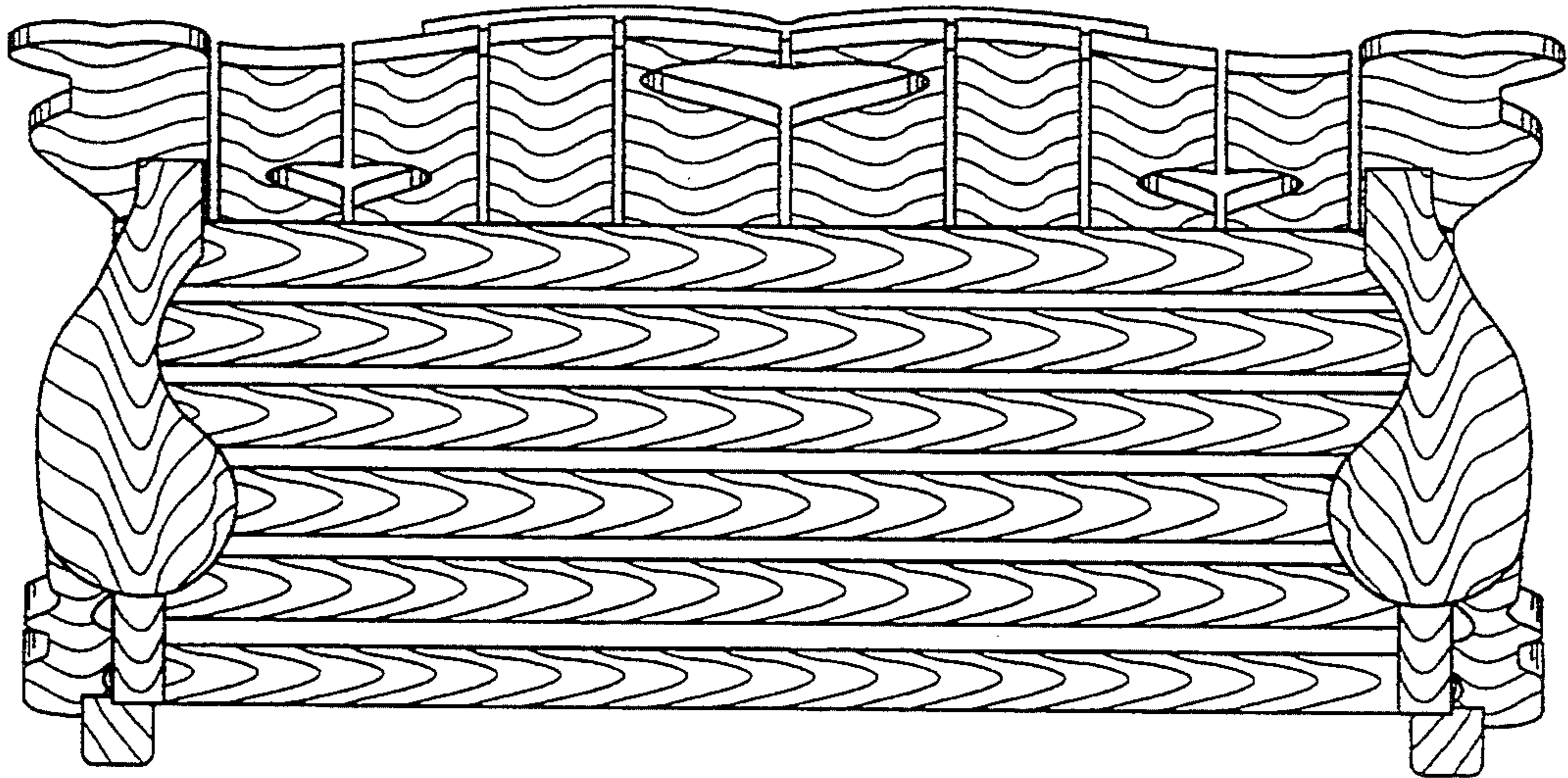


FIG. 3

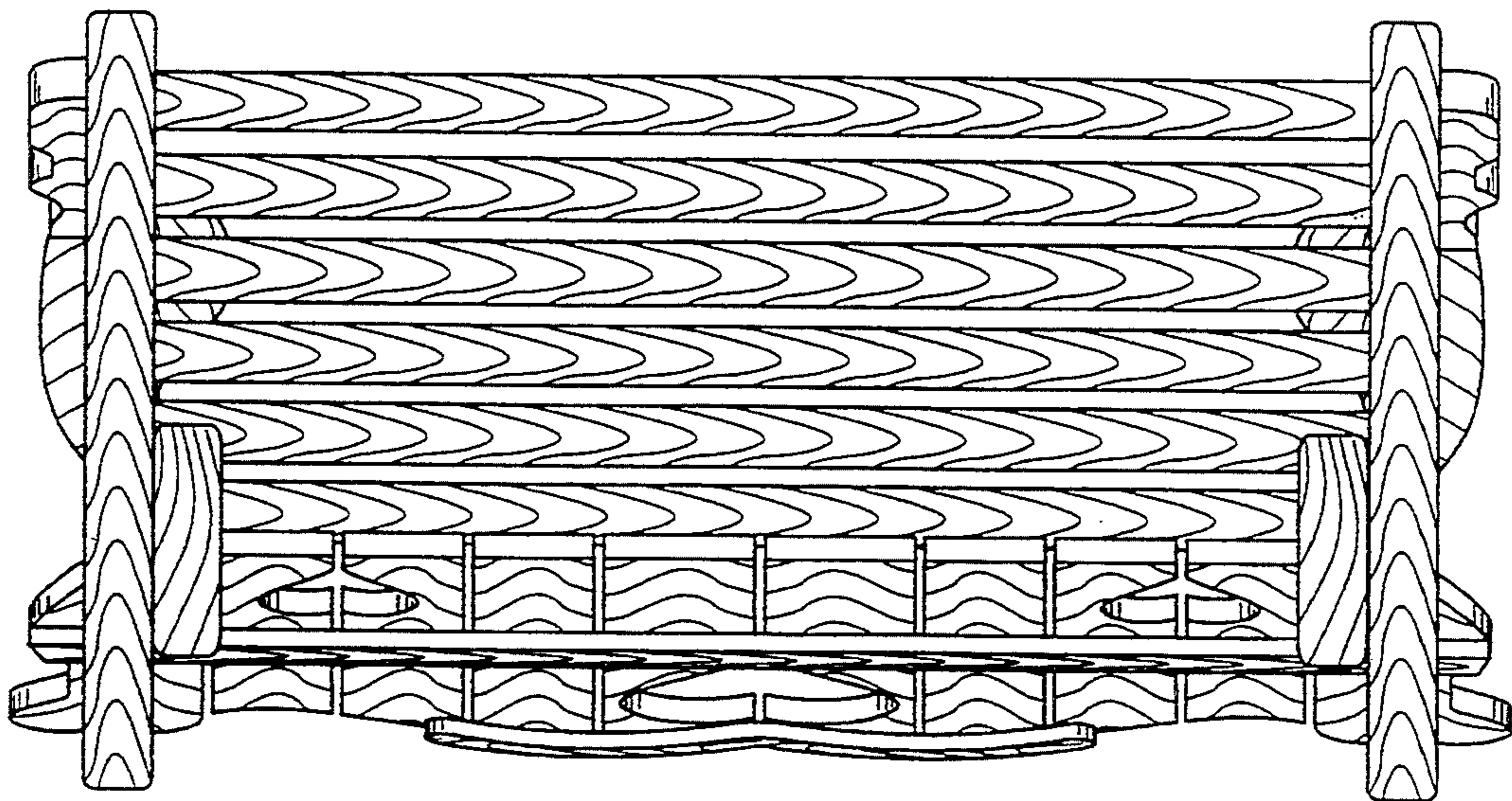


FIG. 4

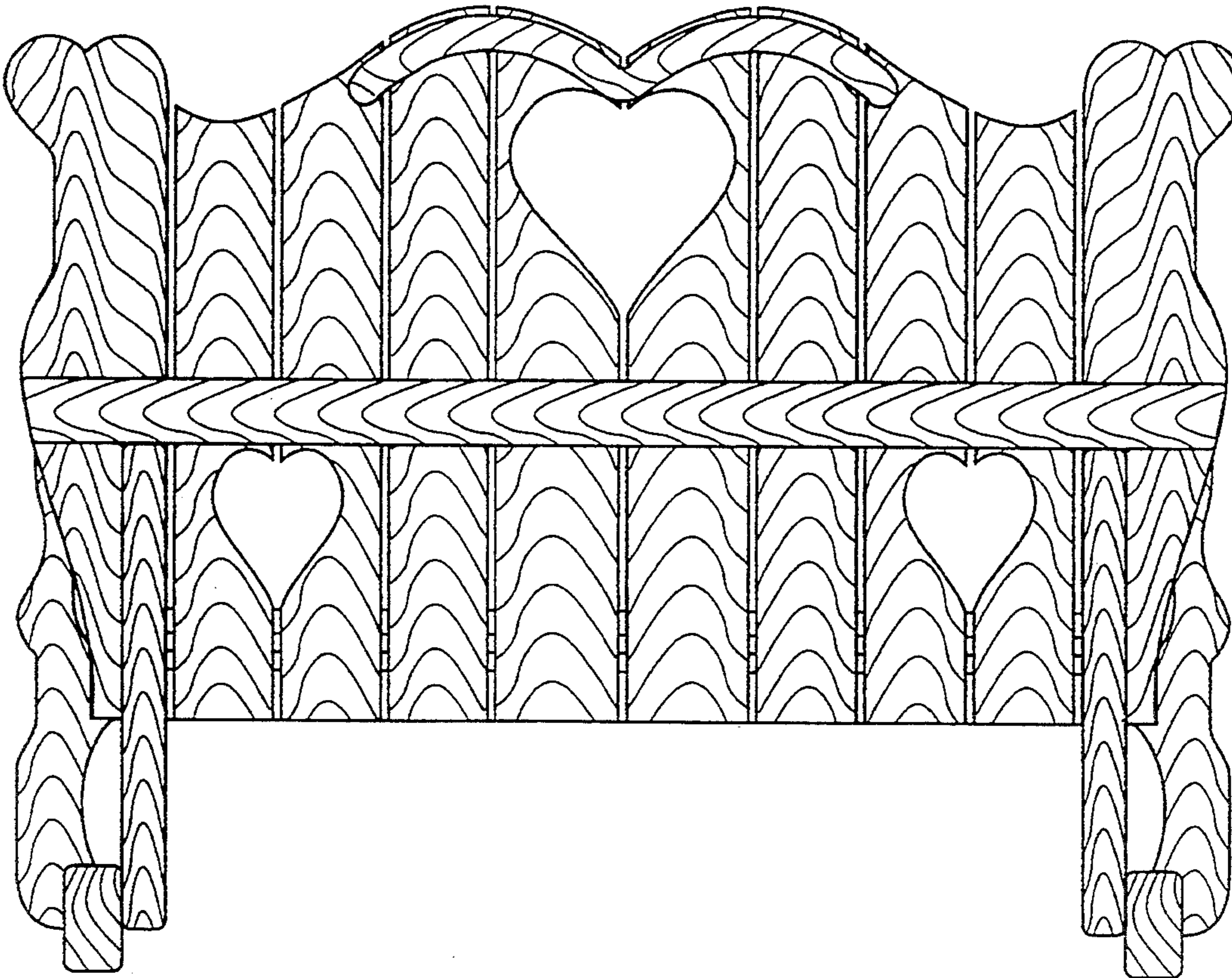


FIG. 5