



US00D358493S

United States Patent [19]
Ginat

[11] **Patent Number: Des. 358,493**
[45] **Date of Patent: ** May 23, 1995**

[54] **CLOSED INTERIOR ARM GUEST CHAIR**

[75] **Inventor: Jonathan Ginat, New York, N.Y.**

[73] **Assignee: The Gunlocke Company, Wayland, N.Y.**

[**] **Term: 14 Years**

[21] **Appl. No.: 21,796**

[22] **Filed: Apr. 25, 1994**

[52] **U.S. Cl. D6/334**

[58] **Field of Search D6/334, 374, 375, 379, D6/380, 500, 501, 502; 297/446**

[56] **References Cited**

U.S. PATENT DOCUMENTS

- D. 84,860 8/1931 Tucker D6/379
- D. 335,587 5/1993 Backer D6/379
- D. 336,793 6/1993 Claman D6/379
- D. 340,364 10/1993 Caldwell D6/379

OTHER PUBLICATIONS

Taylor Chair, Chair #807 shown.

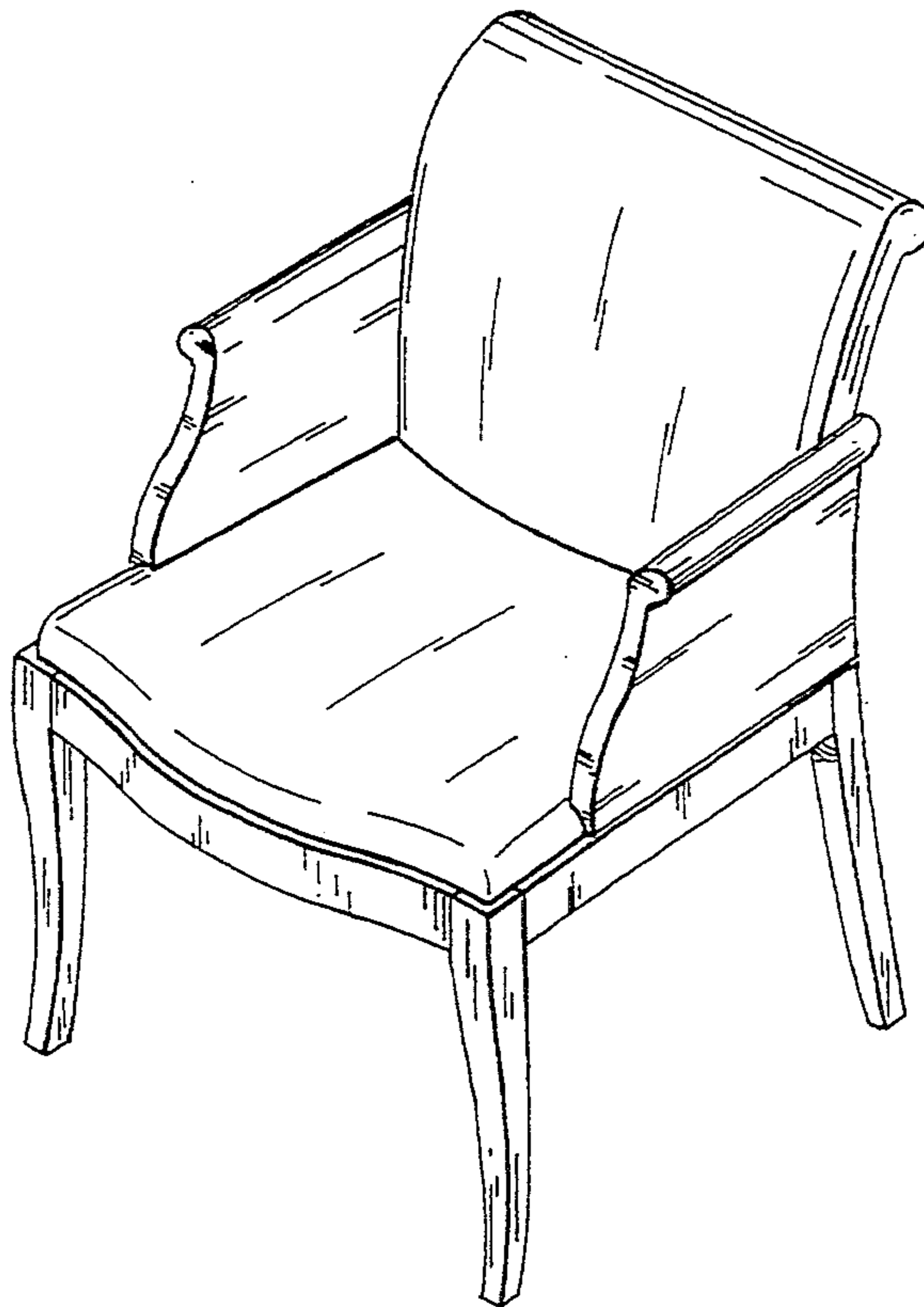
Primary Examiner—Alan P. Douglas
Assistant Examiner—Gary D. Watson
Attorney, Agent, or Firm—Jones, Day, Reavis & Pogue

[57] **CLAIM**

The ornamental design for a closed interior arm guest chair, as shown and described.

DESCRIPTION

FIG. 1 is a perspective view of a first embodiment of the closed interior arm guest chair;
 FIG. 2 is a left side elevational view of the first embodiment of the closed interior arm guest chair, wherein the right side view is a mirror image thereof;
 FIG. 3 is a front elevational view of the first embodiment of the closed interior arm guest chair;
 FIG. 4 is a rear elevational view of the closed interior arm guest chair;
 FIG. 5 is a top plan view of the first embodiment of the closed interior arm guest chair;
 FIG. 6 is a bottom plan view of the first embodiment of the closed interior arm guest chair;
 FIG. 7 is a perspective view of a second embodiment of the closed interior arm guest chair;
 FIG. 8 is a left side elevational view of the second embodiment of the closed interior arm guest chair; wherein the right elevational view is a mirror image thereof;
 FIG. 9 is a front elevational view of the second embodiment of the closed interior arm guest chair;
 FIG. 10 is a rear elevational view of the second embodiment of the closed interior arm guest chair;
 FIG. 11 is a top plan view of the second embodiment of the closed interior arm guest chair; and,
 FIG. 12 is a bottom plan view of the closed interior arm guest chair.



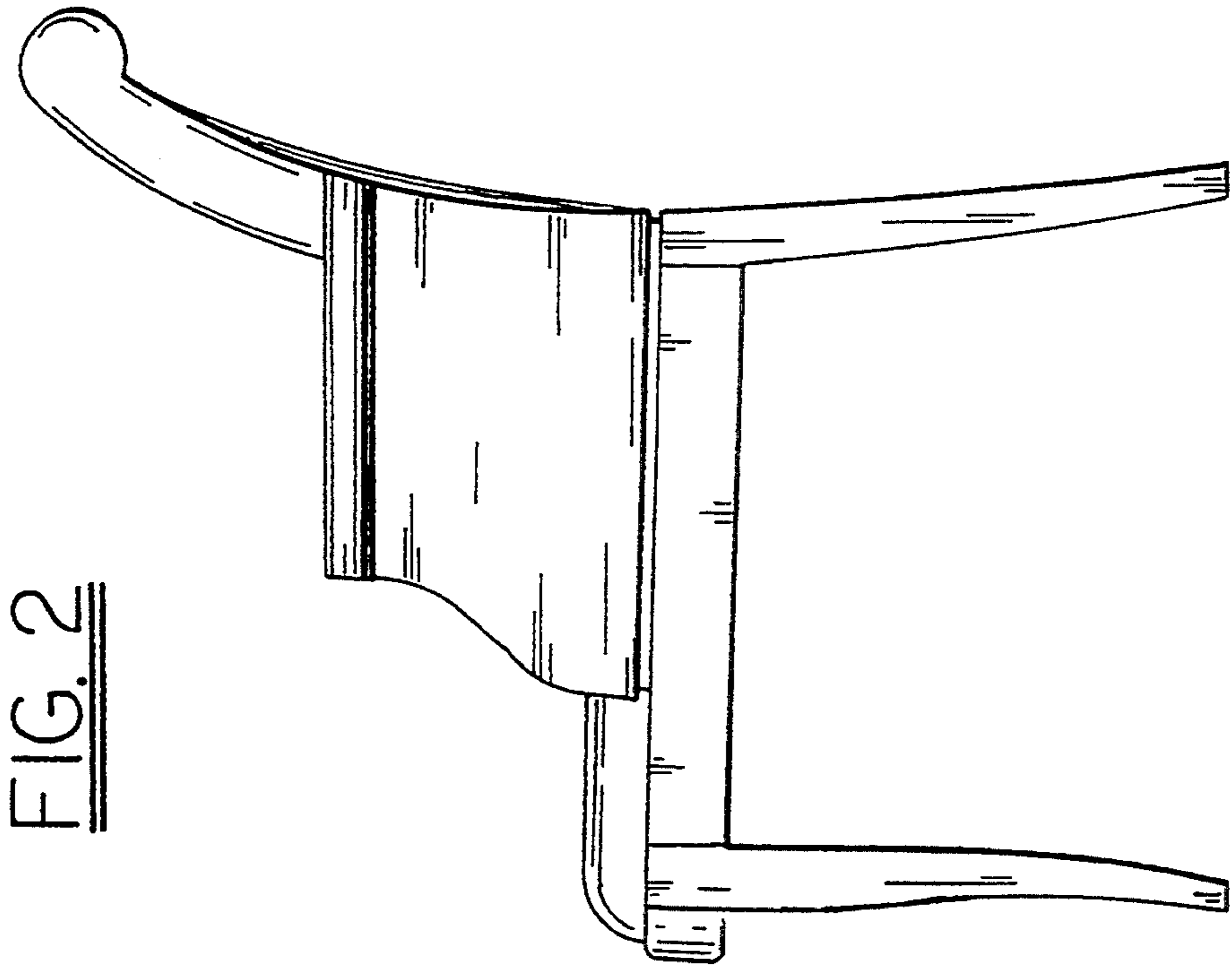


FIG. 2

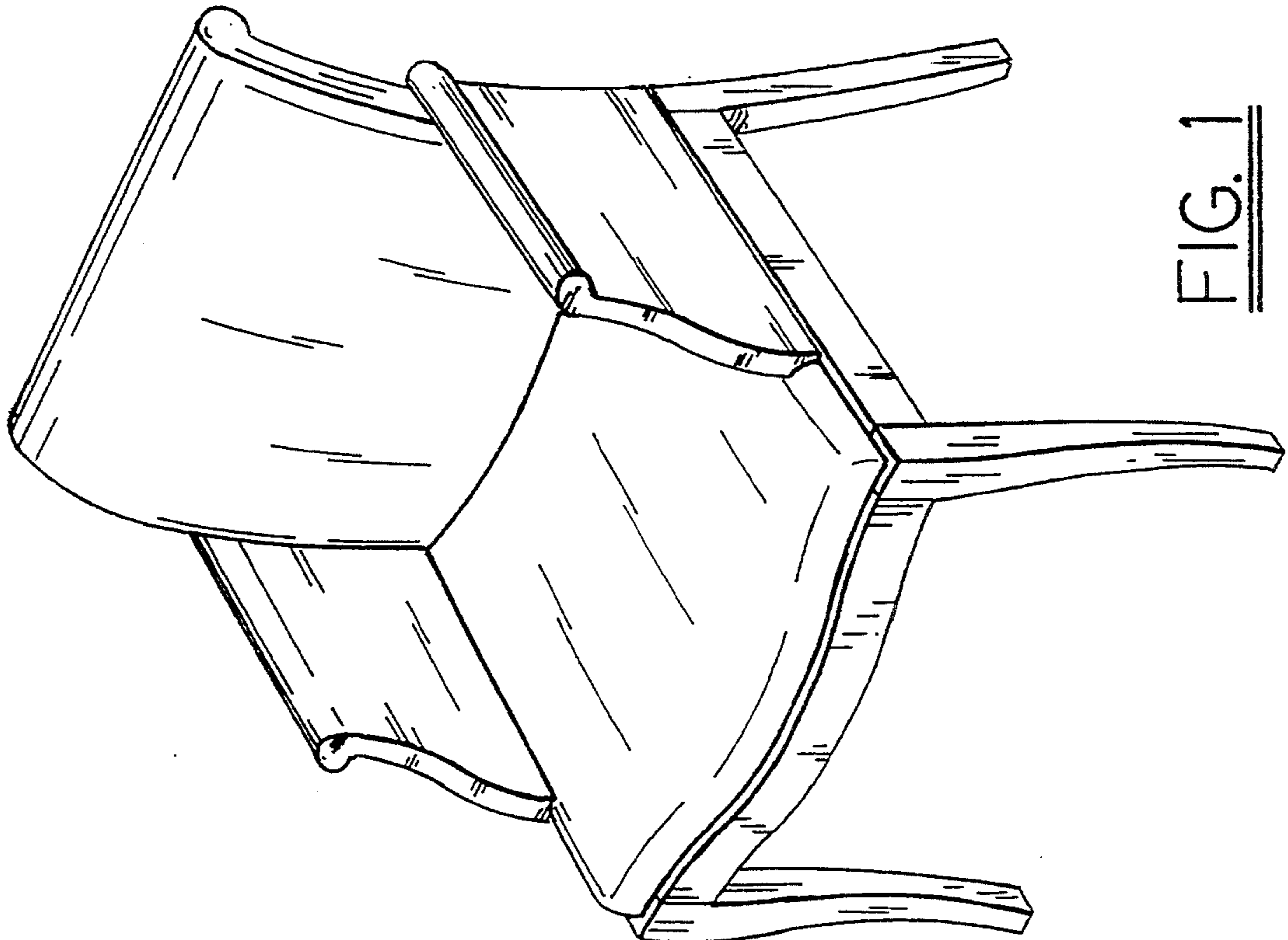


FIG. 1

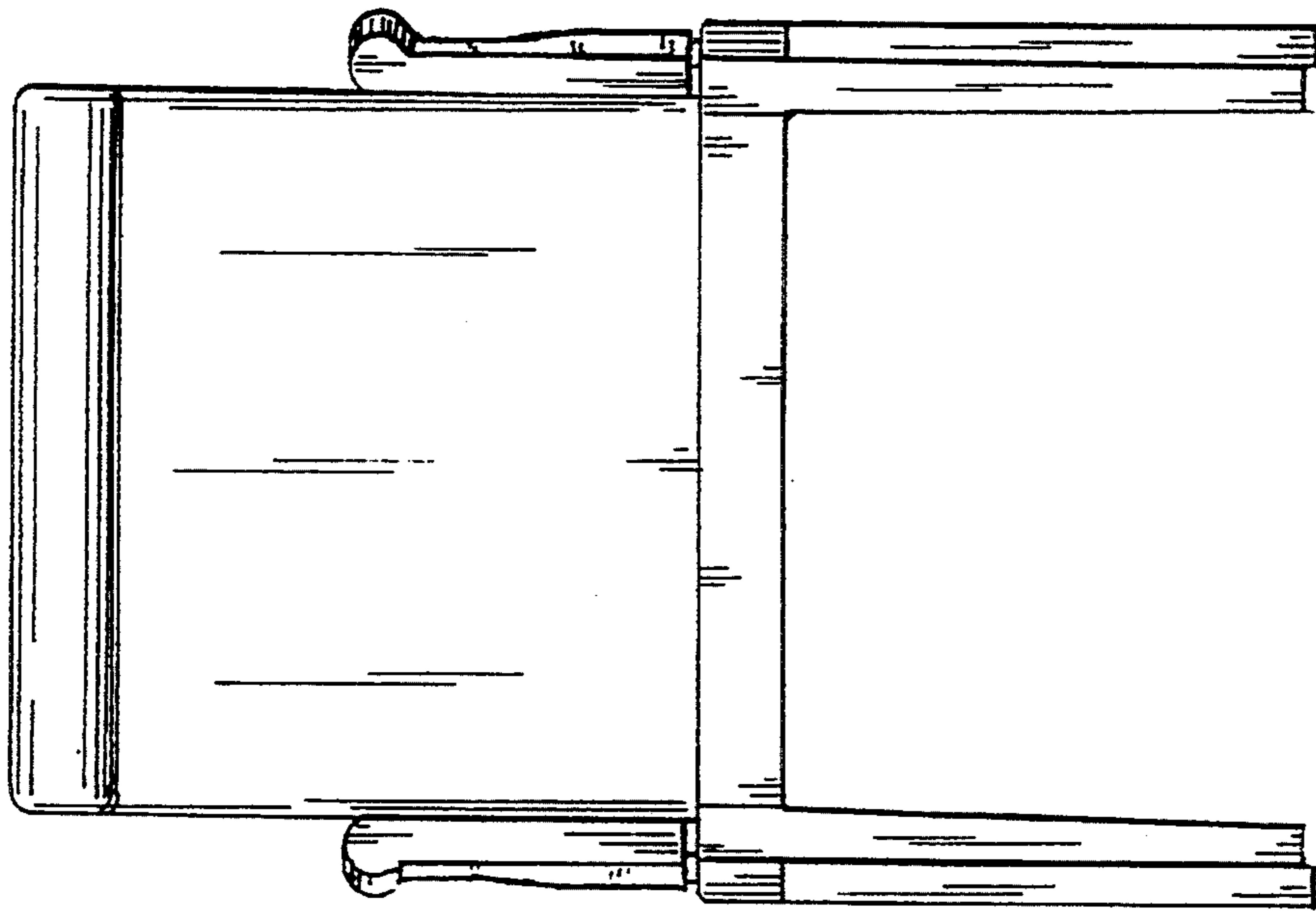


FIG. 3

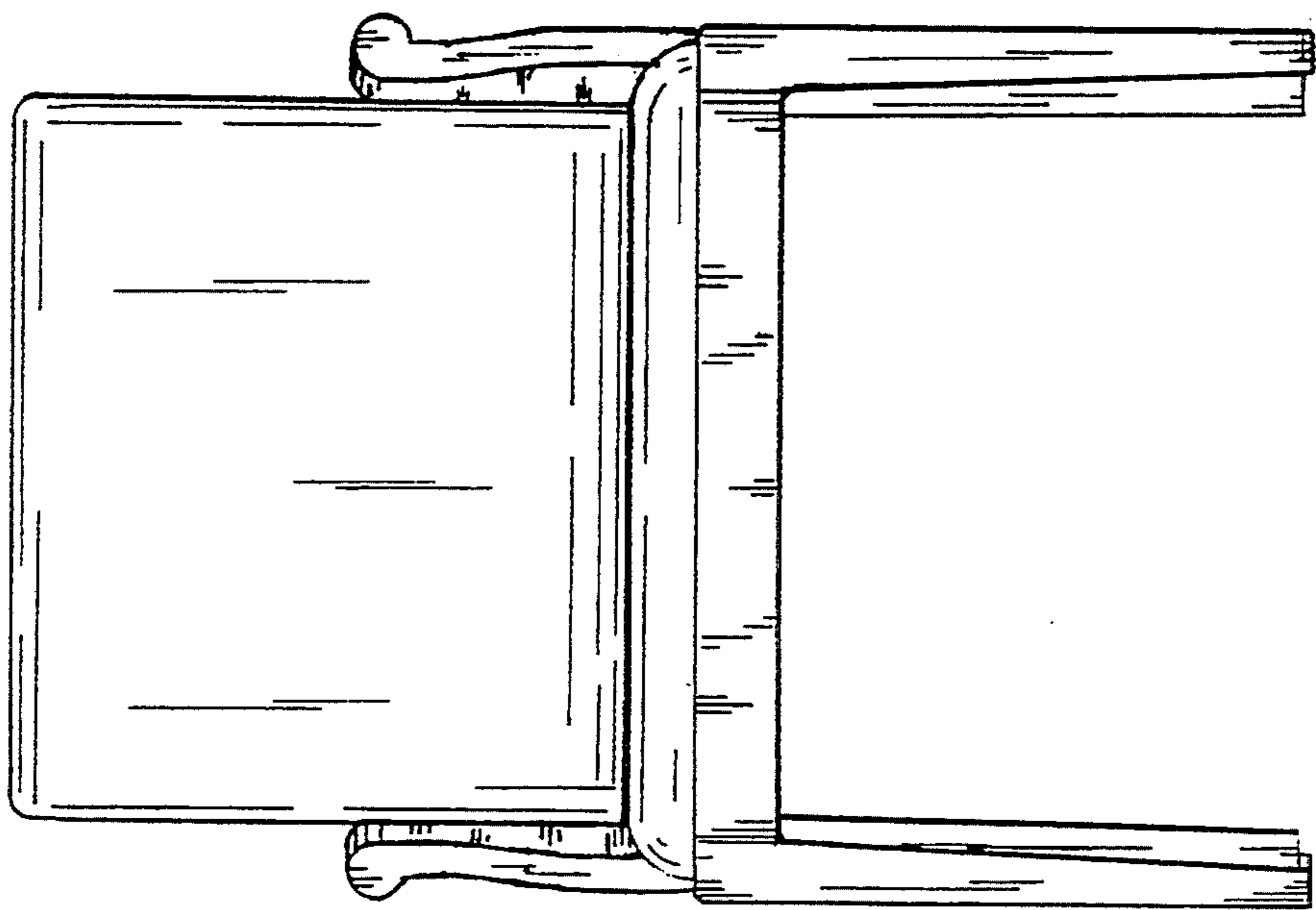


FIG. 4

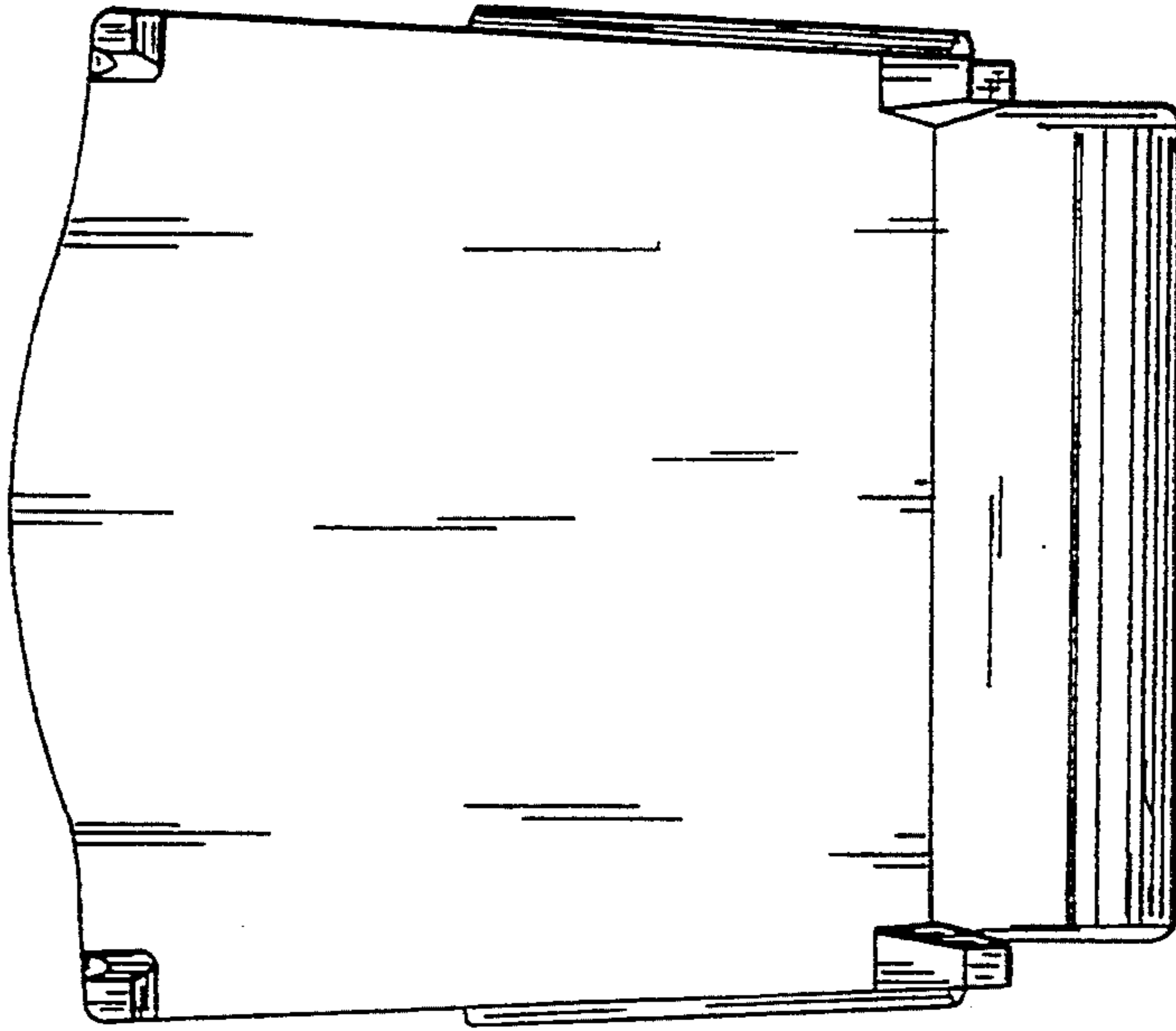


FIG. 5

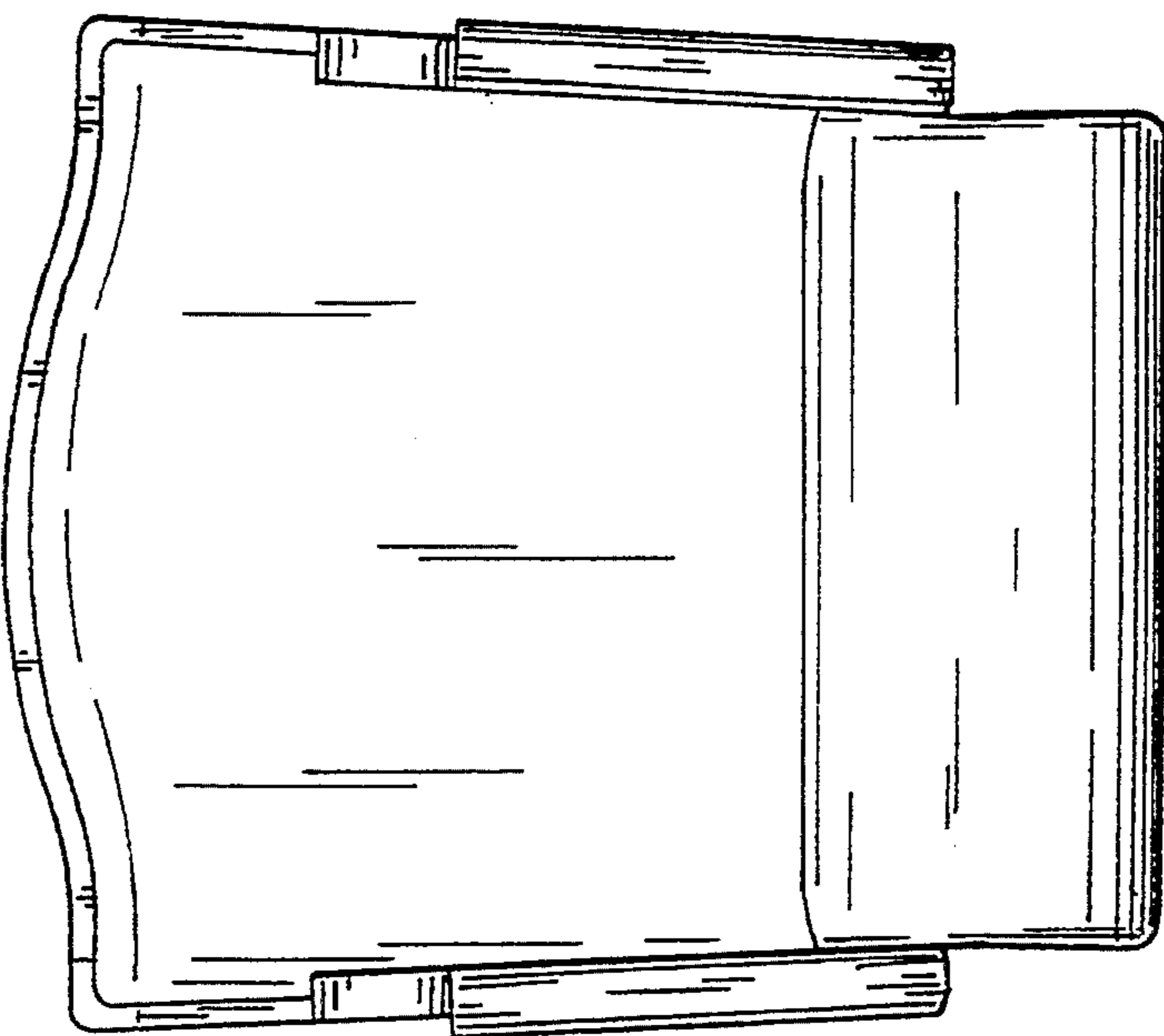


FIG. 6

FIG. 8

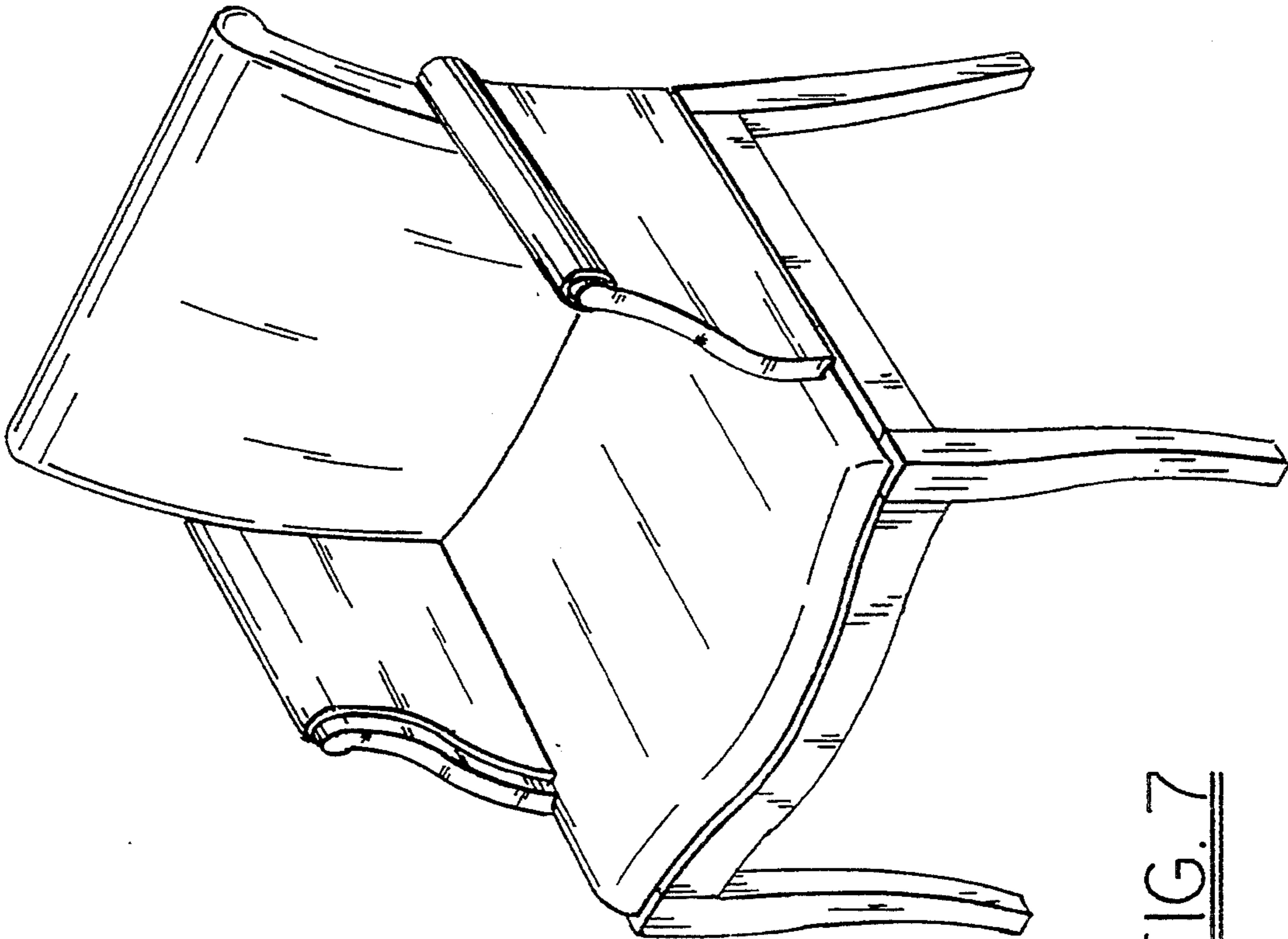
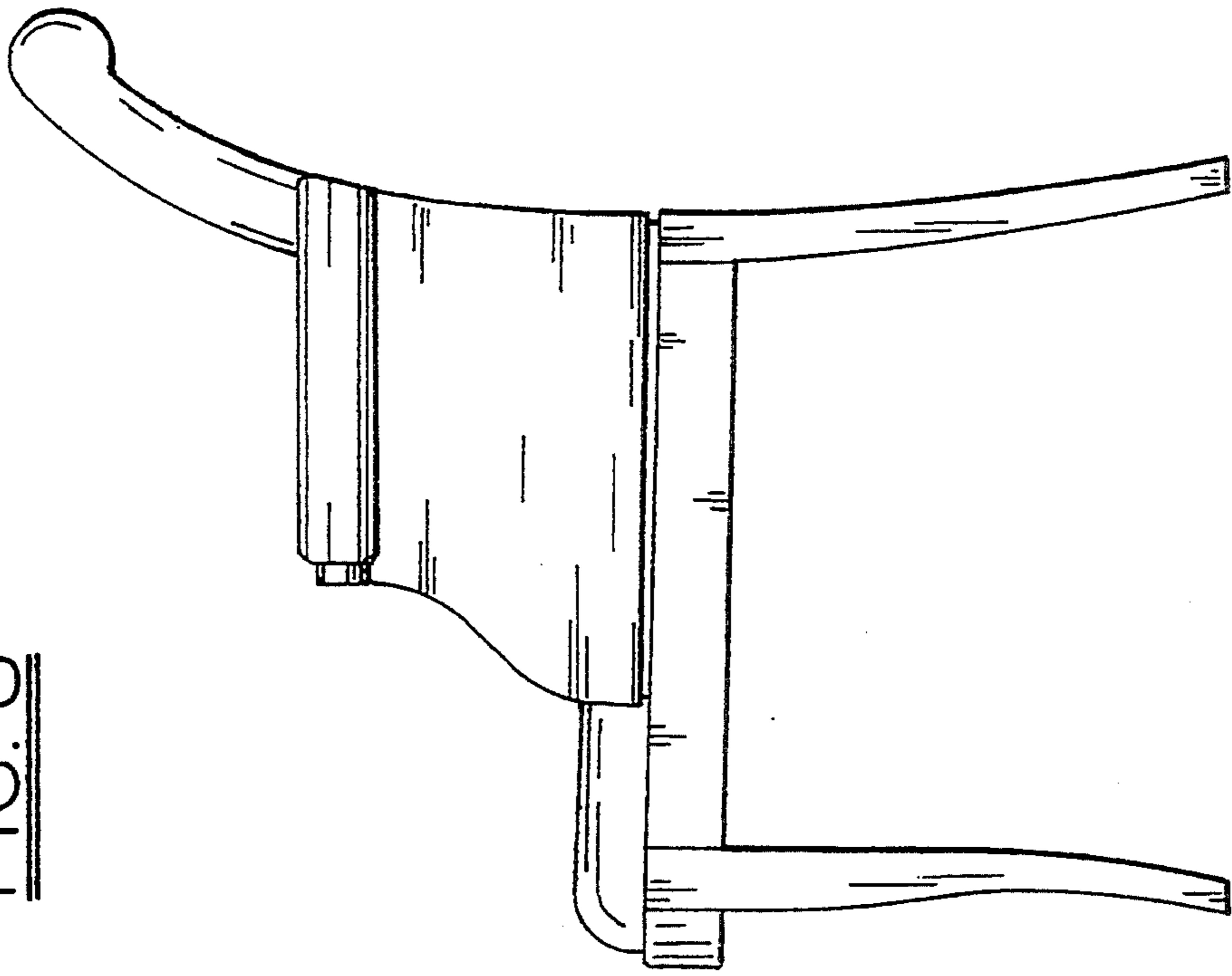


FIG. 7

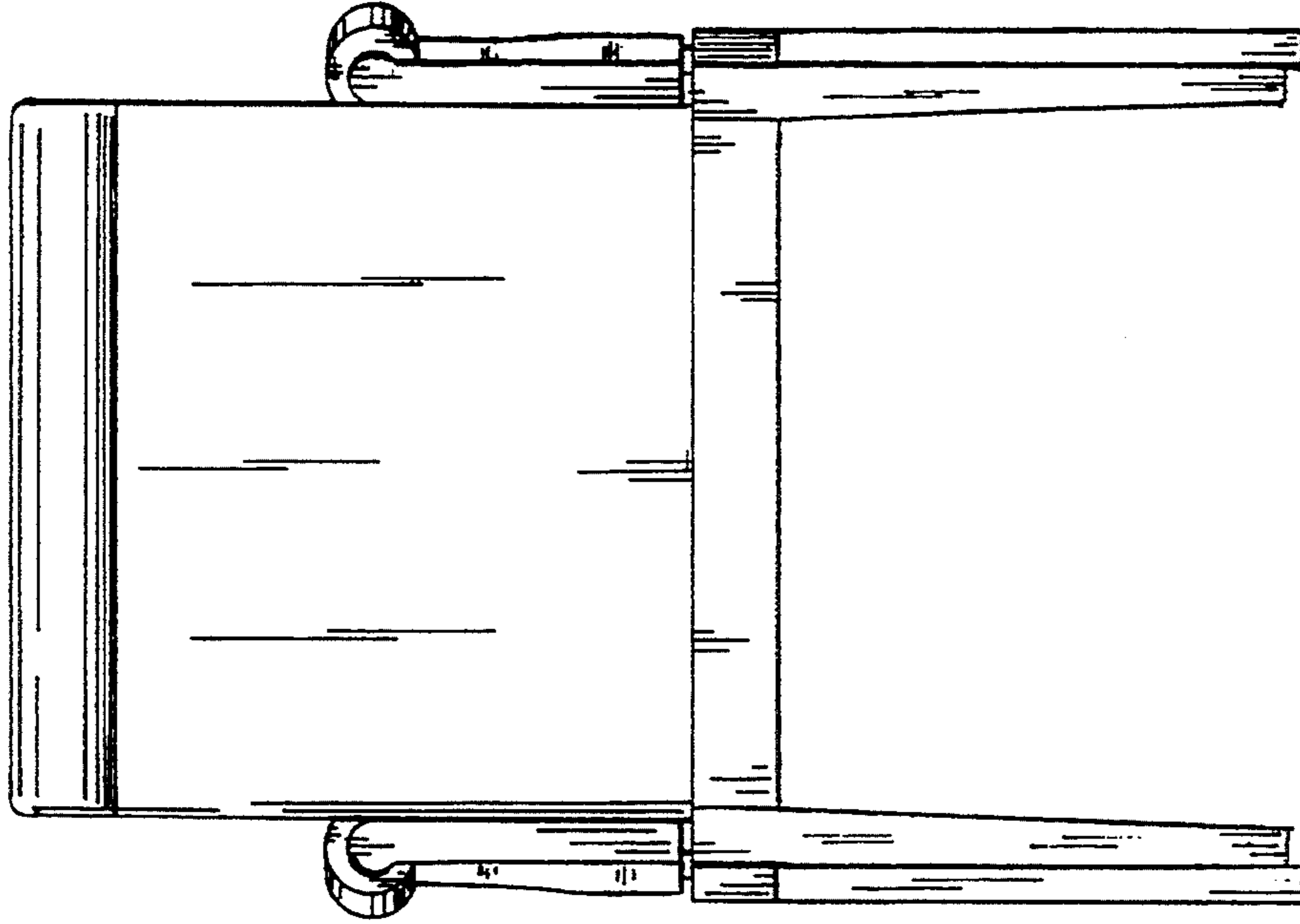


FIG. 9

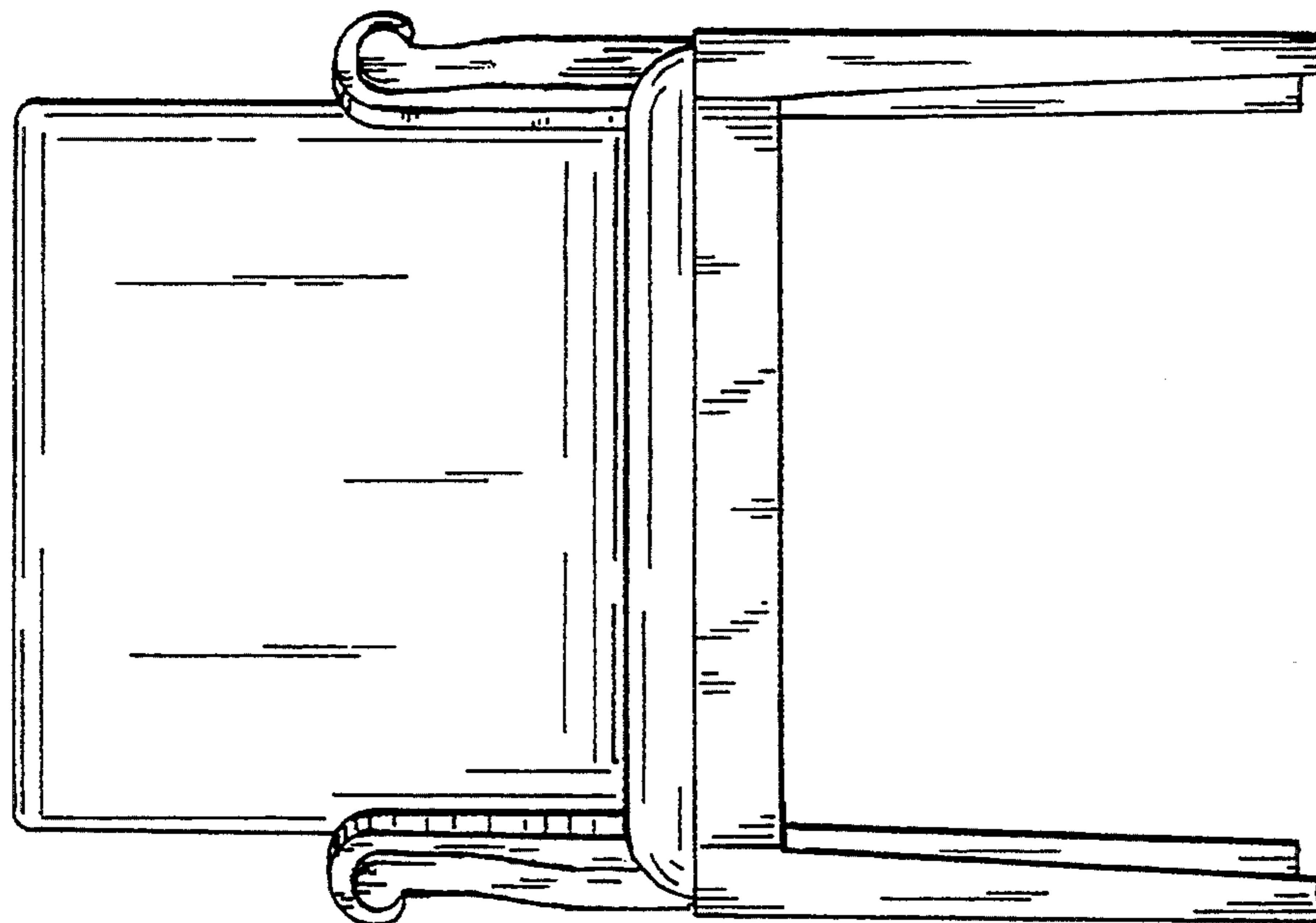


FIG. 10

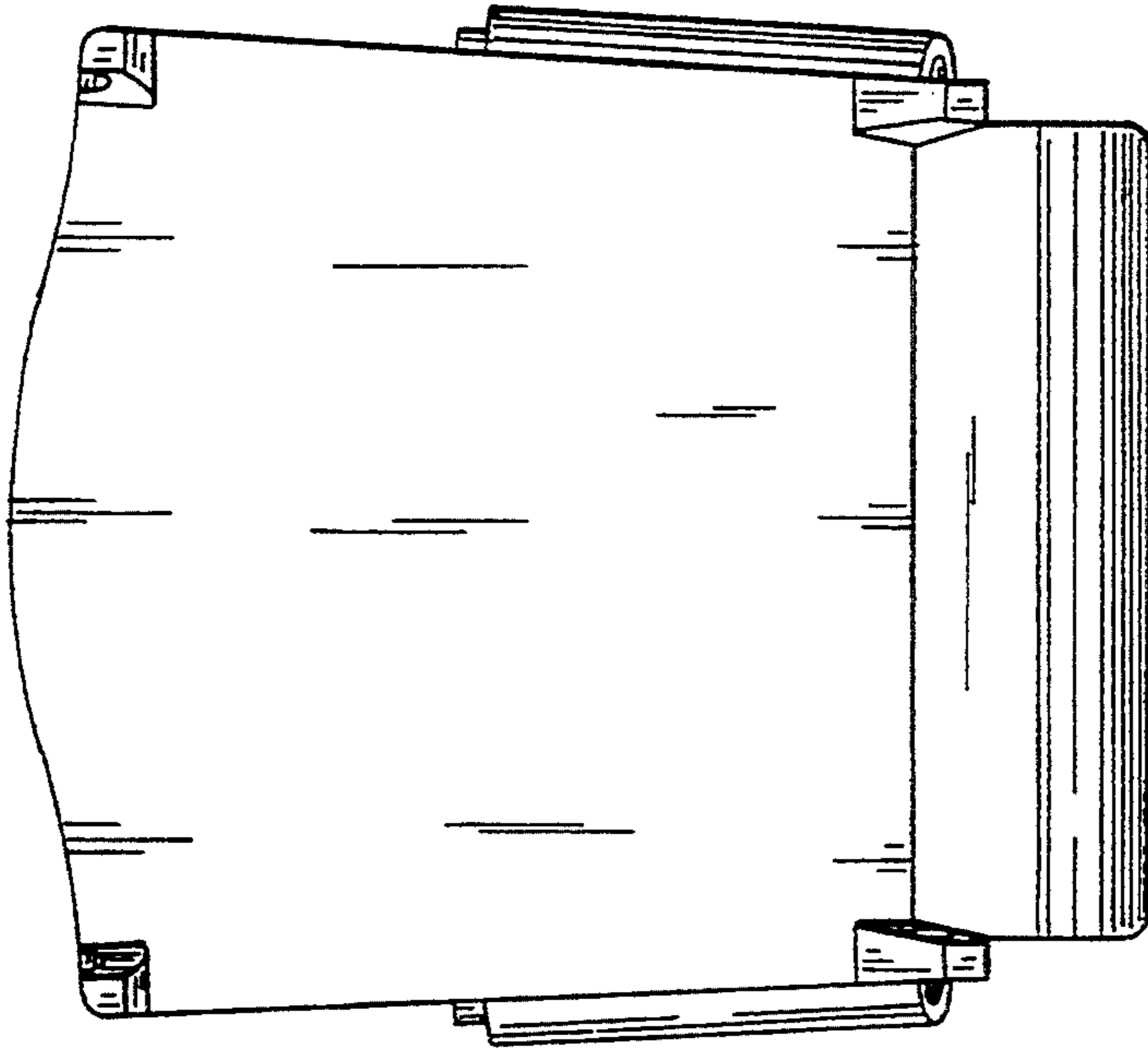


FIG. 11

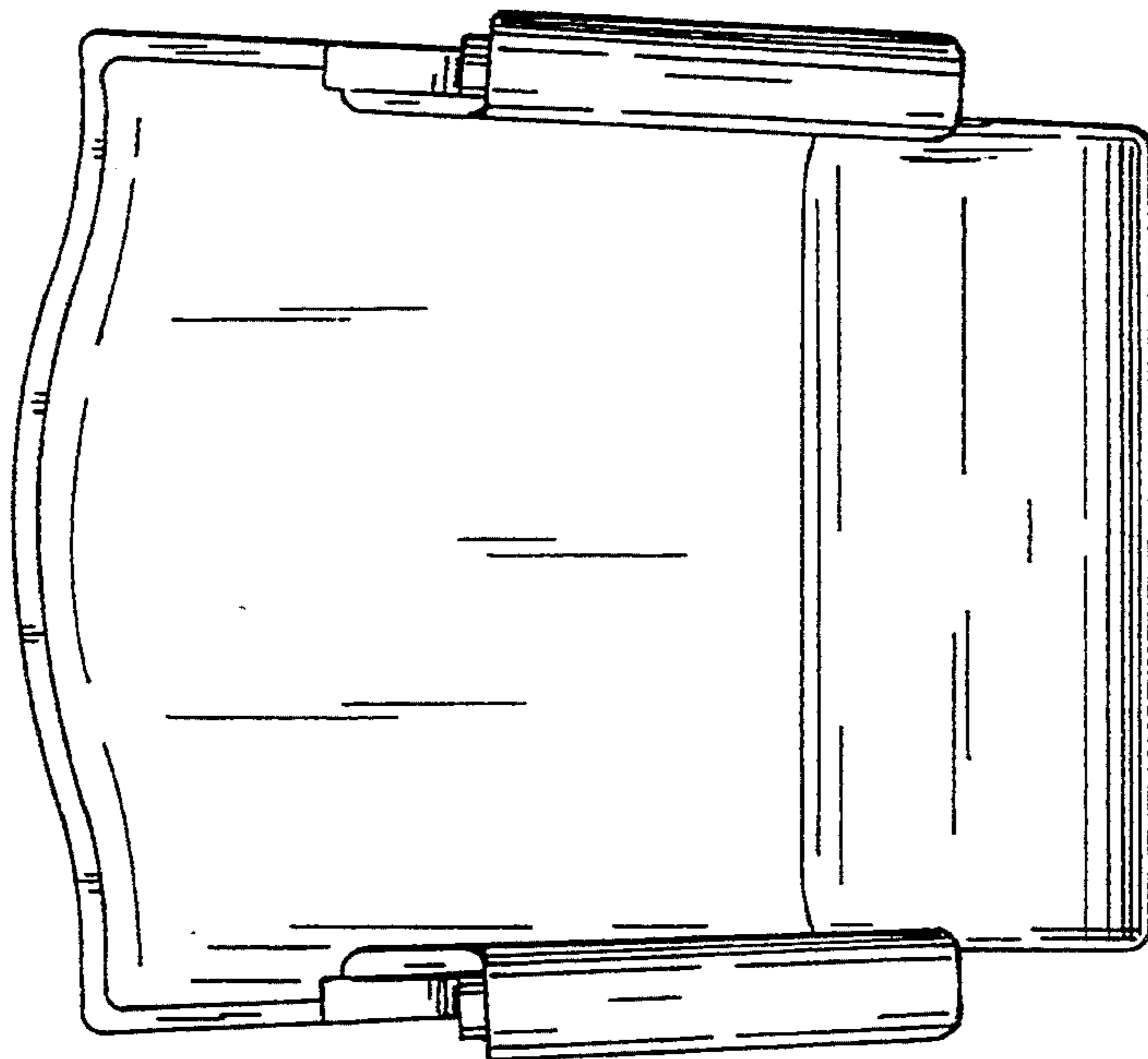


FIG. 12