



US00D358491S

United States Patent [19]

[11] Patent Number: **Des. 358,491**

Hoagland

[45] Date of Patent: **** May 23, 1995**

- [54] **GRILL CLEANER BRUSH HANDLE WITH SCRAPER**
- [75] Inventor: **Mary M. Hoagland**, Cincinnati, Ohio
- [73] Assignee: **Vining Industries, Inc.**, Springfield, Ohio
- [**] Term: **14 Years**
- [21] Appl. No.: **3,515**
- [22] Filed: **Jan. 11, 1993**
- [52] U.S. Cl. **D4/138; D4/118; D32/42**
- [58] **Field of Search** **D4/116, 118, 132, 134, D4/138; D28/63, 99; D32/42, 49; 15/105, 111, 112, 143.1, 159.1, 160; 30/169, 346, 351, 355, 357**

- [56] **References Cited**
- U.S. PATENT DOCUMENTS**
- D. 177,163 3/1956 Whittaker D28/99
- D. 180,848 8/1957 Scholl D4/134
- D. 307,077 4/1990 Bryant D4/138
- 2,824,323 2/1958 Tos et al. .
- 3,487,491 1/1970 Dunn .
- 4,365,380 12/1982 Fassler .

OTHER PUBLICATIONS

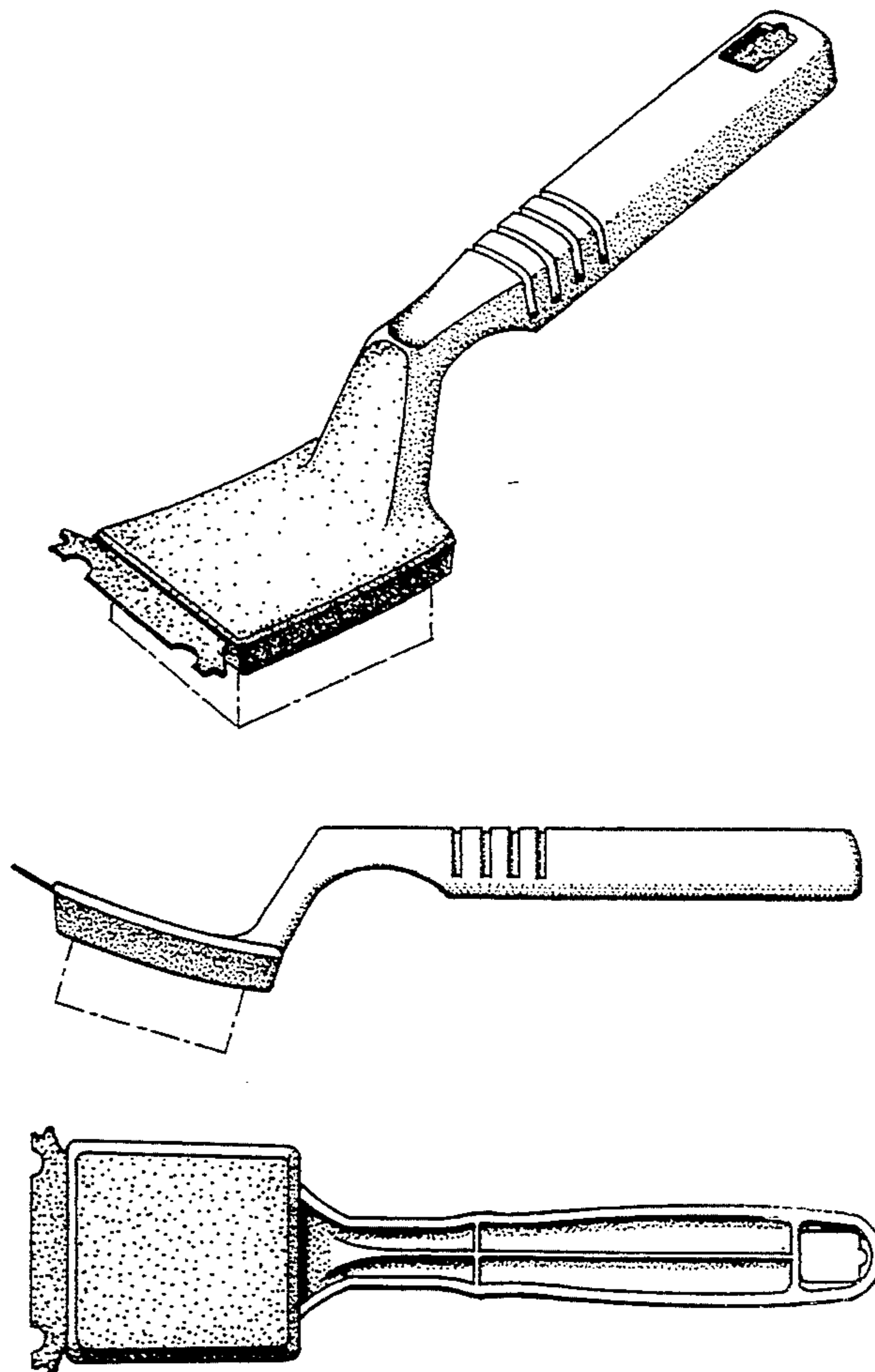
Fuller Brush Catalog, ©1986, Brush-Item G on p. 28.
Primary Examiner—James M. Gandy
Assistant Examiner—Lavone D. Tabor
Attorney, Agent, or Firm—Panitch Schwarze Jacobs & Nadel

CLAIM

[57] The ornamental design for a grill cleaner brush handle with scraper, as shown and described.

DESCRIPTION

FIG. 1 is a front, top, left perspective view of the grill cleaner brush handle with scraper embodying my new design;
 FIG. 2 is a top plan view thereof;
 FIG. 3 is a left side elevational view thereof;
 FIG. 4 is a bottom plan view thereof;
 FIG. 5 is a rear elevational view thereof; and,
 FIG. 6 is a front elevational view thereof.
 The right side elevational view is a mirror image of that shown in FIG. 3. The broken line showing of bristles is for illustrative purposes only and forms no part of the claimed design.



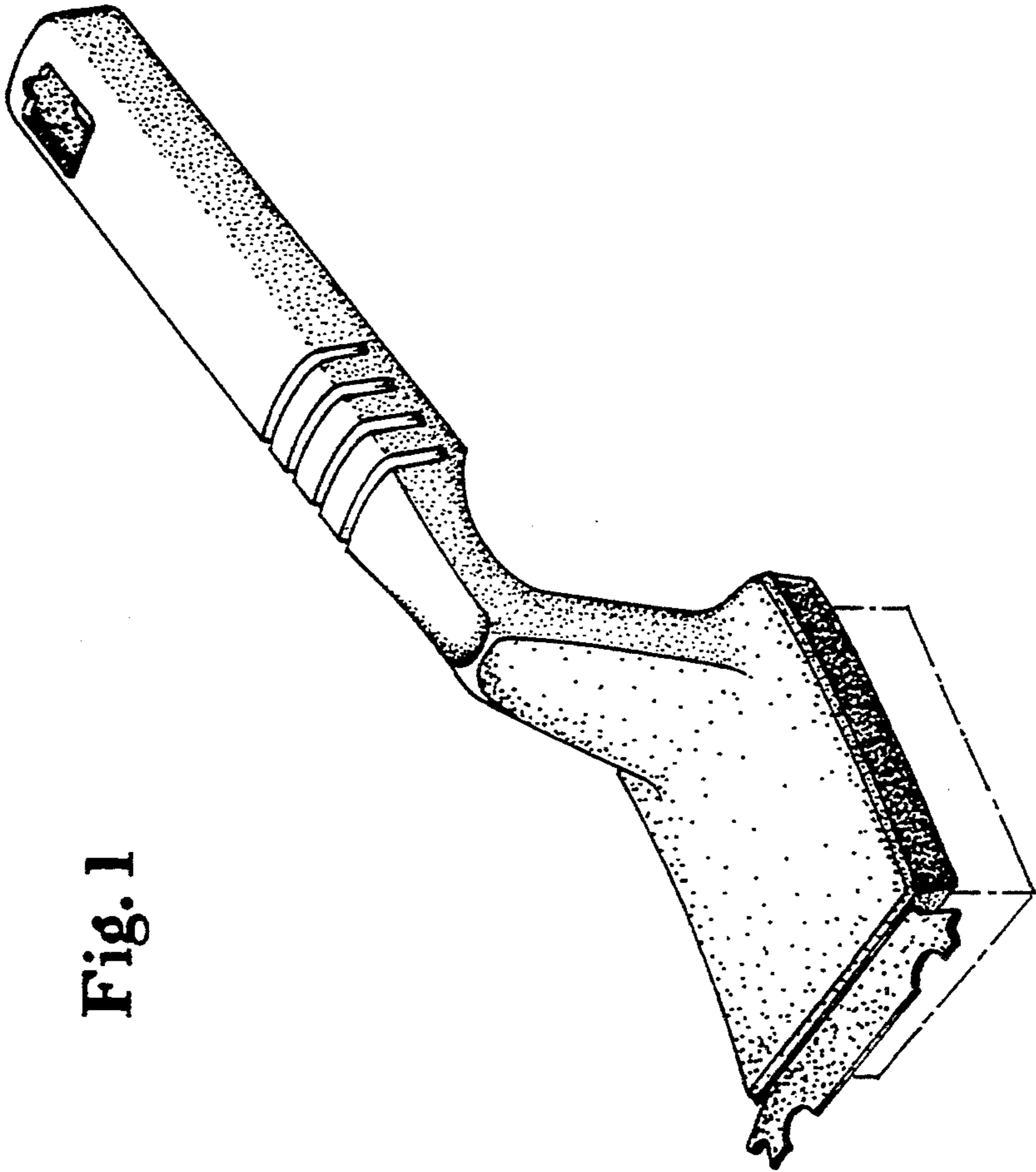


Fig. 1

Fig. 2

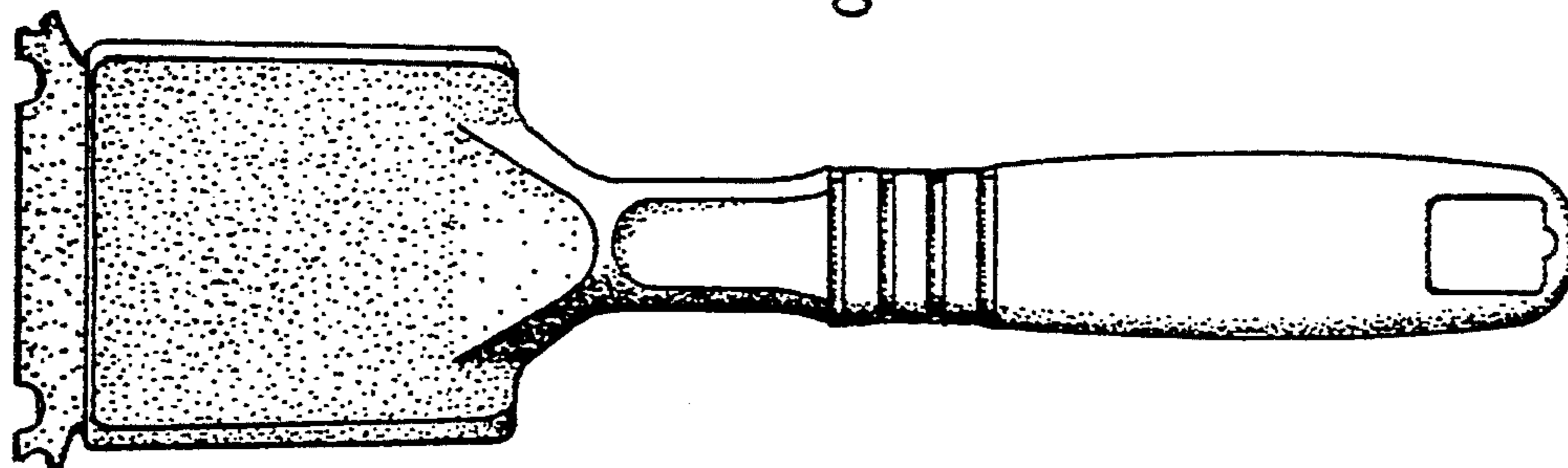


Fig. 3

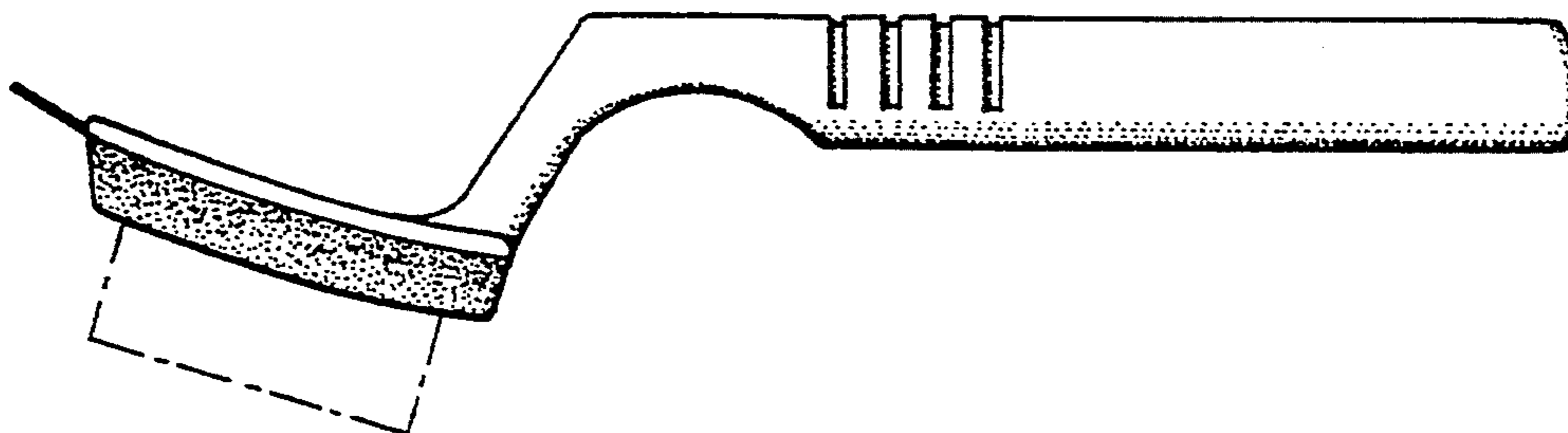


Fig. 4

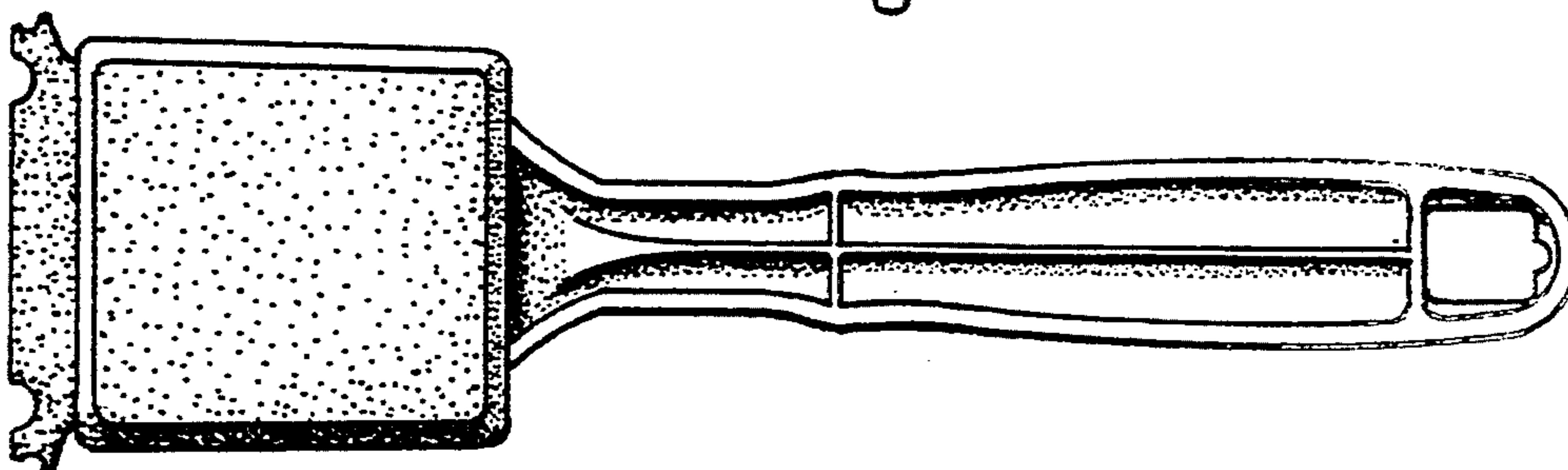


Fig. 6

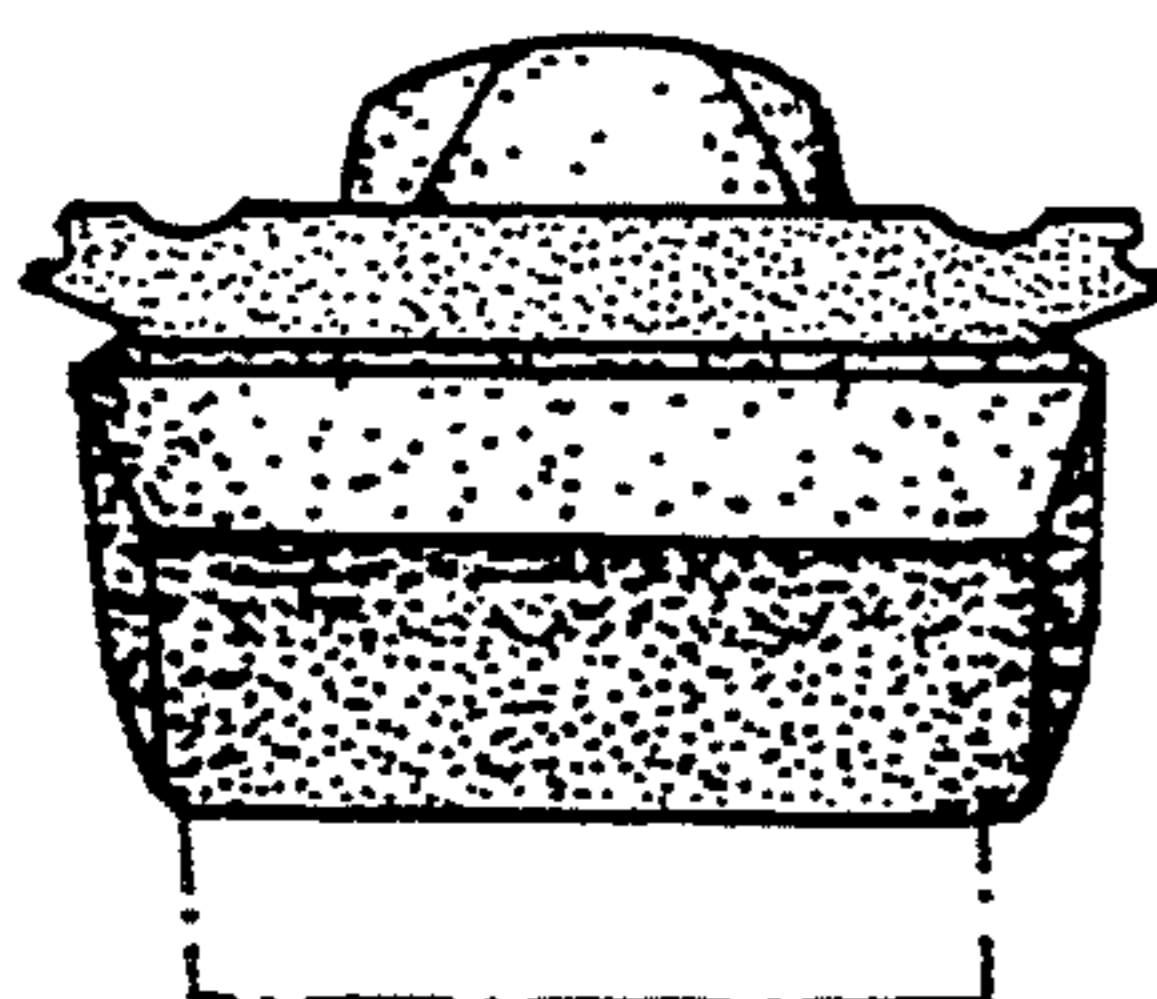


Fig. 5

