



US00D358487S

United States Patent [19]

[11] Patent Number: **Des. 358,487**

Kneesch et al.

[45] Date of Patent: **** May 23, 1995**

[54] **COMBINED PAD AND BRUSH CLEANING IMPLEMENT**

2,472,781	6/1949	Vosbikian et al.	15/115
2,683,886	7/1954	Neumann	15/115
4,491,998	1/1985	Wilson et al. .	
4,654,920	4/1987	O'Neil, Jr. et al. .	
4,675,932	6/1987	Hofacker, Jr. .	
4,802,782	2/1989	Scalf	15/114 X

[76] Inventors: **Margaret J. Kneesch**, Fairfield Rd, P.O. Box 51 Takapau; **Ian C. A. Livingston**, Fairfield Rd, RD3 Takapau, both of Hawkes Bay, New Zealand

Primary Examiner—James M. Gandy
Assistant Examiner—Lavone D. Tabor
Attorney, Agent, or Firm—Terry M. Gernstein

[**] Term: **14 Years**

[57] **CLAIM**

[21] Appl. No.: **11,906**

The ornamental design for a combined pad and brush cleaning implement, as shown and described.

[22] Filed: **Aug. 18, 1993**

DESCRIPTION

[52] U.S. Cl. **D4/116; D4/132; D32/42**

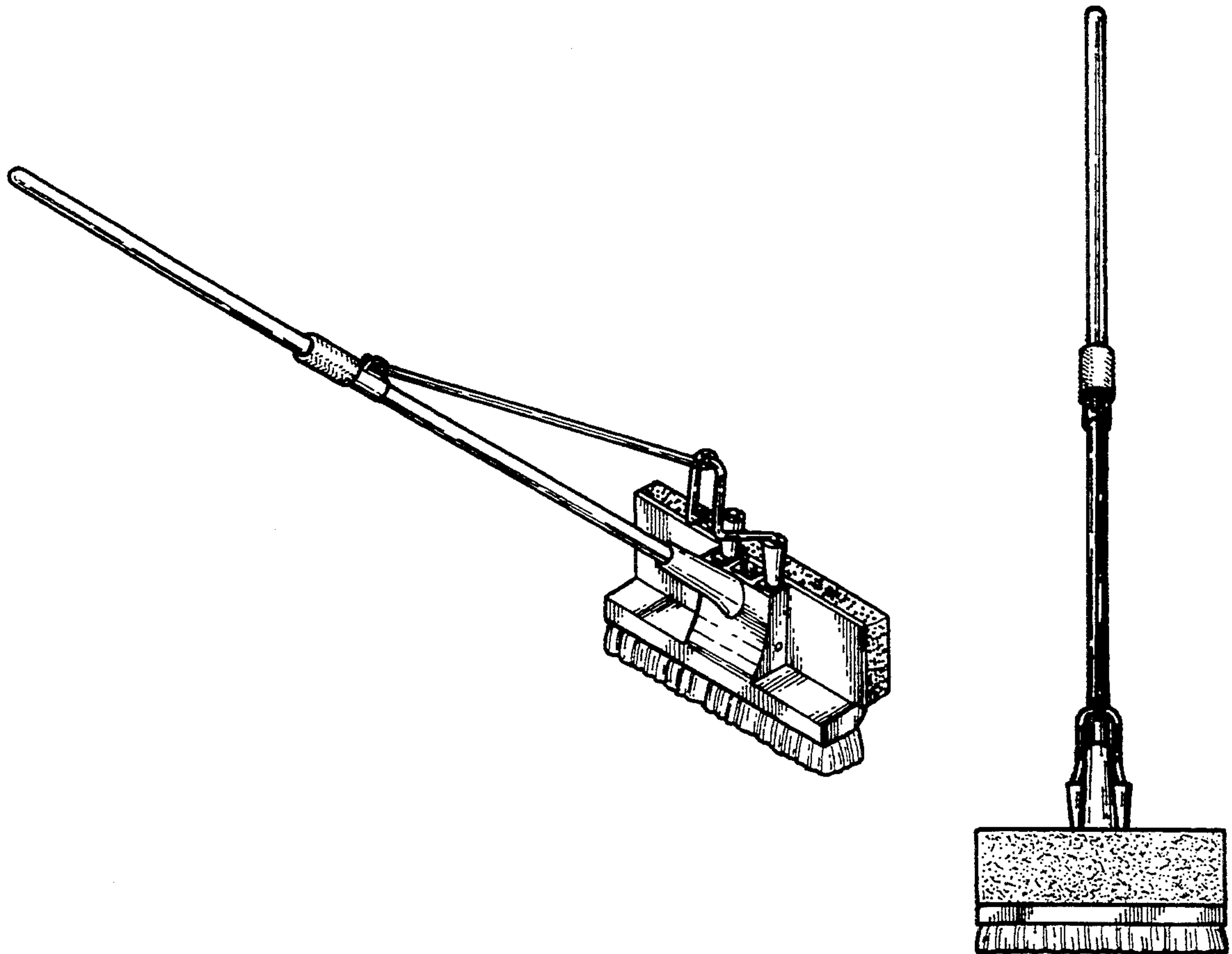
[58] **Field of Search** D4/116, 132, 135, 138; D32/40, 42, 44, 50-51; 15/105, 114-115, 116.1, 116.2, 118, 119.2, 143.1, 159.1, 160

FIG. 1 is a rear, top and side perspective view of the combined pad and brush cleaning implement showing our new design;
FIG. 2 is a front elevational view thereof;
FIG. 3 is a rear elevational view thereof;
FIG. 4 is a side elevational view thereof;
FIG. 5 is a top plan view thereof; and,
FIG. 6 is a bottom plan view thereof.

[56] **References Cited**

U.S. PATENT DOCUMENTS

2,251,384 8/1941 Thomas 15/119.2



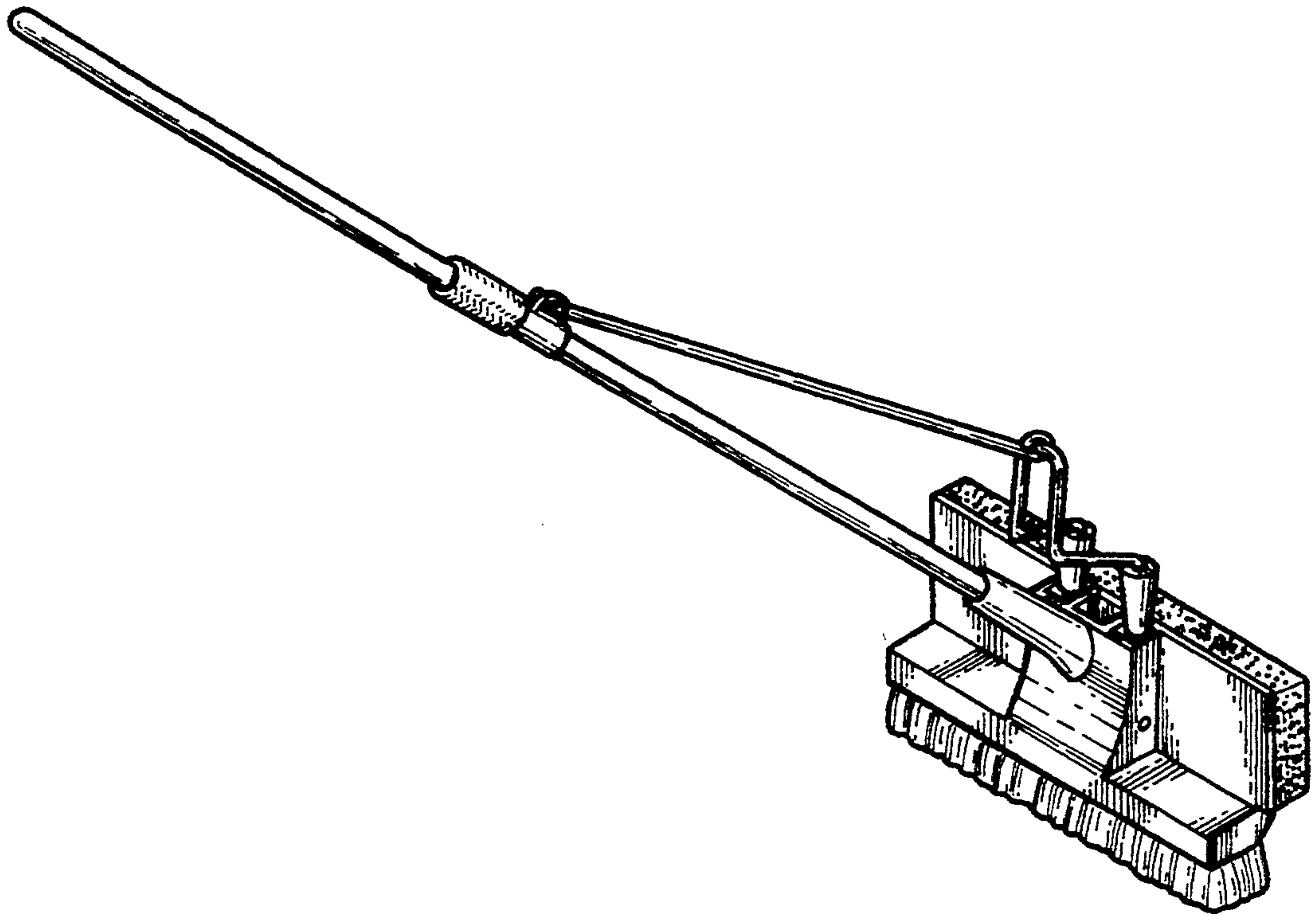


FIG. 1

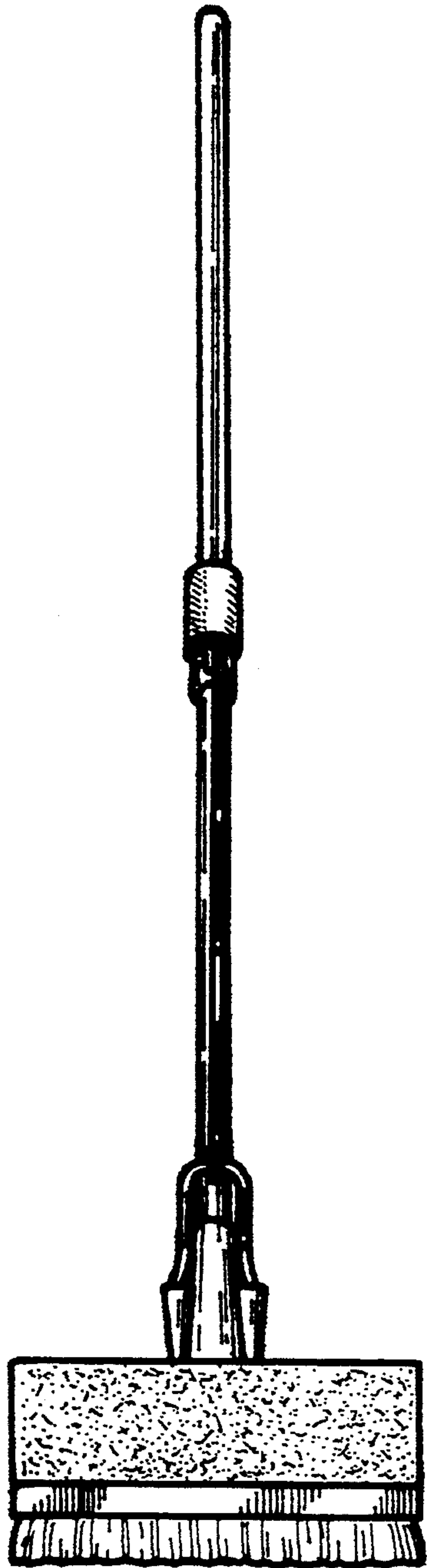


FIG. 2

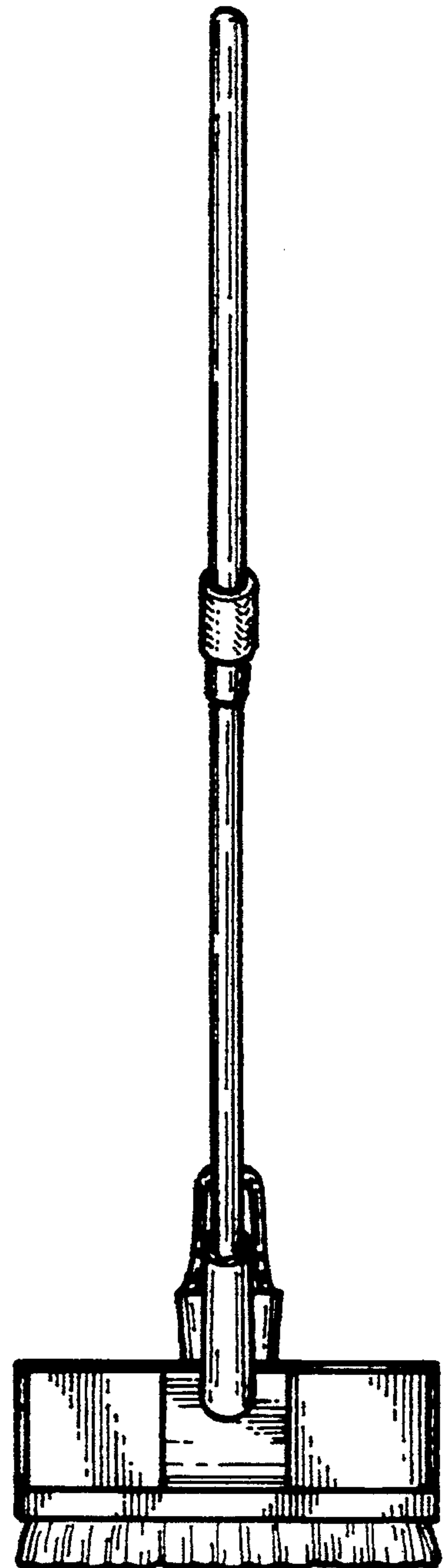


FIG. 3

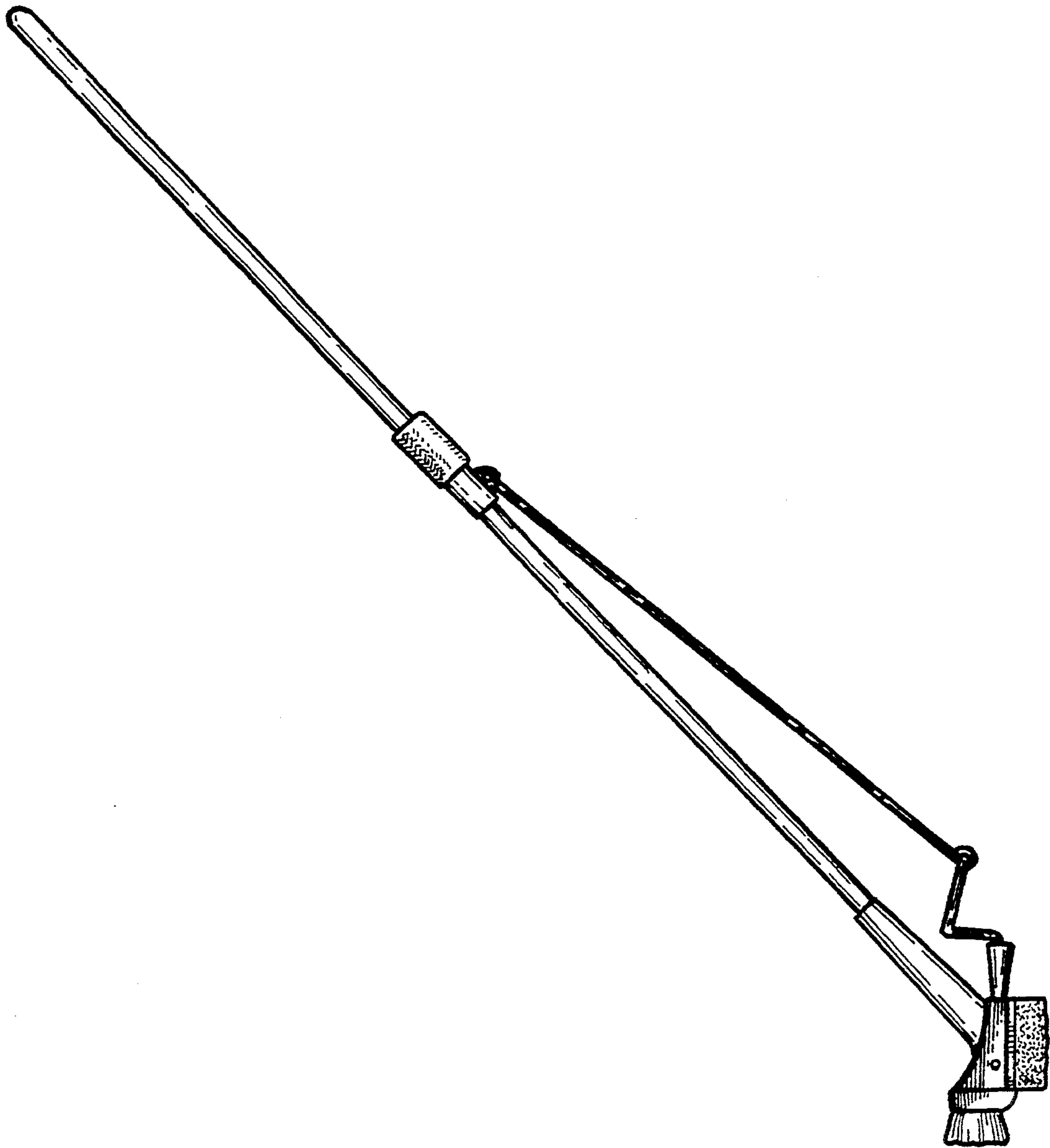


FIG. 4

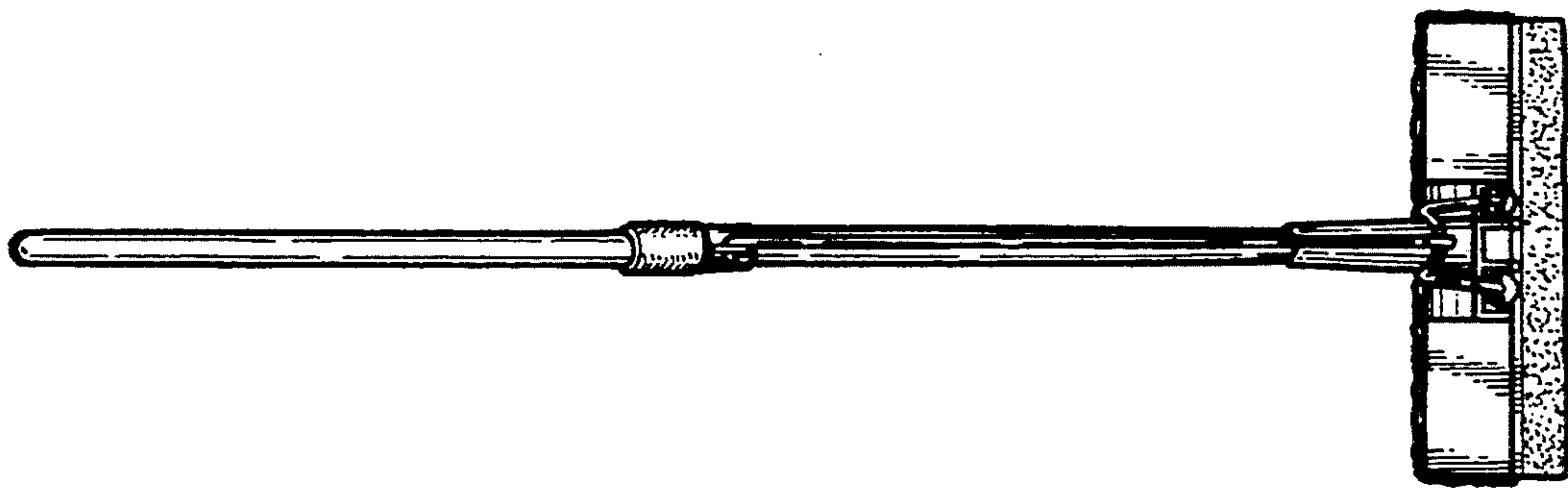


FIG. 5

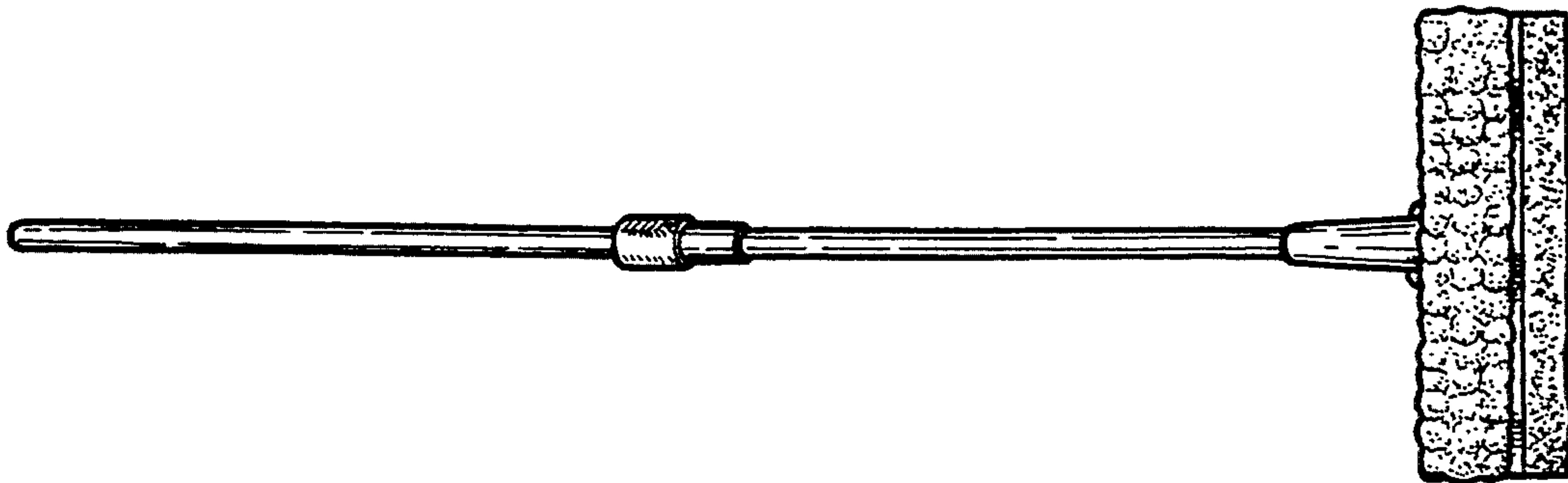


FIG. 6