



US00D358484S

United States Patent [19]
Cautereels et al.

[11] **Patent Number: Des. 358,484**
[45] **Date of Patent: ** May 23, 1995**

[54] **CARRIER WITH HANDLE**

[75] Inventors: **Victor J. J. Cautereels**, Borsbeek, Belgium; **Ian Ferris**, Wokingham, United Kingdom
[73] Assignee: **Dart Industries Inc.**, Deerfield, Ill.
[**] Term: **14 Years**
[21] Appl. No.: **11,109**
[22] Filed: **Jul. 27, 1993**

[52] U.S. Cl. **D3/310**
[58] Field of Search **D3/304, 307-309, D3/314; 220/500, 528, 529, 532, 553, 752, 766, 767; 206/162, 192, 193, 334; 16/111 R**

[56] **References Cited**

U.S. PATENT DOCUMENTS

| | | | | |
|------------|---------|------------------|-------|----------|
| D. 200,264 | 2/1965 | Tudor | | D3/310 |
| D. 277,993 | 3/1985 | Sichok | | D3/309 X |
| D. 331,307 | 11/1992 | McConnell | | D3/308 |
| 4,261,464 | 4/1981 | Maitland | . | |
| 4,351,448 | 9/1982 | Ingersoll et al. | . | |
| 4,365,725 | 12/1982 | Pfeifer | . | |
| 4,792,024 | 12/1988 | Morton et al. | . | |

FOREIGN PATENT DOCUMENTS

1514286 1/1967 France 217/125
0110019 9/1925 Switzerland 220/756

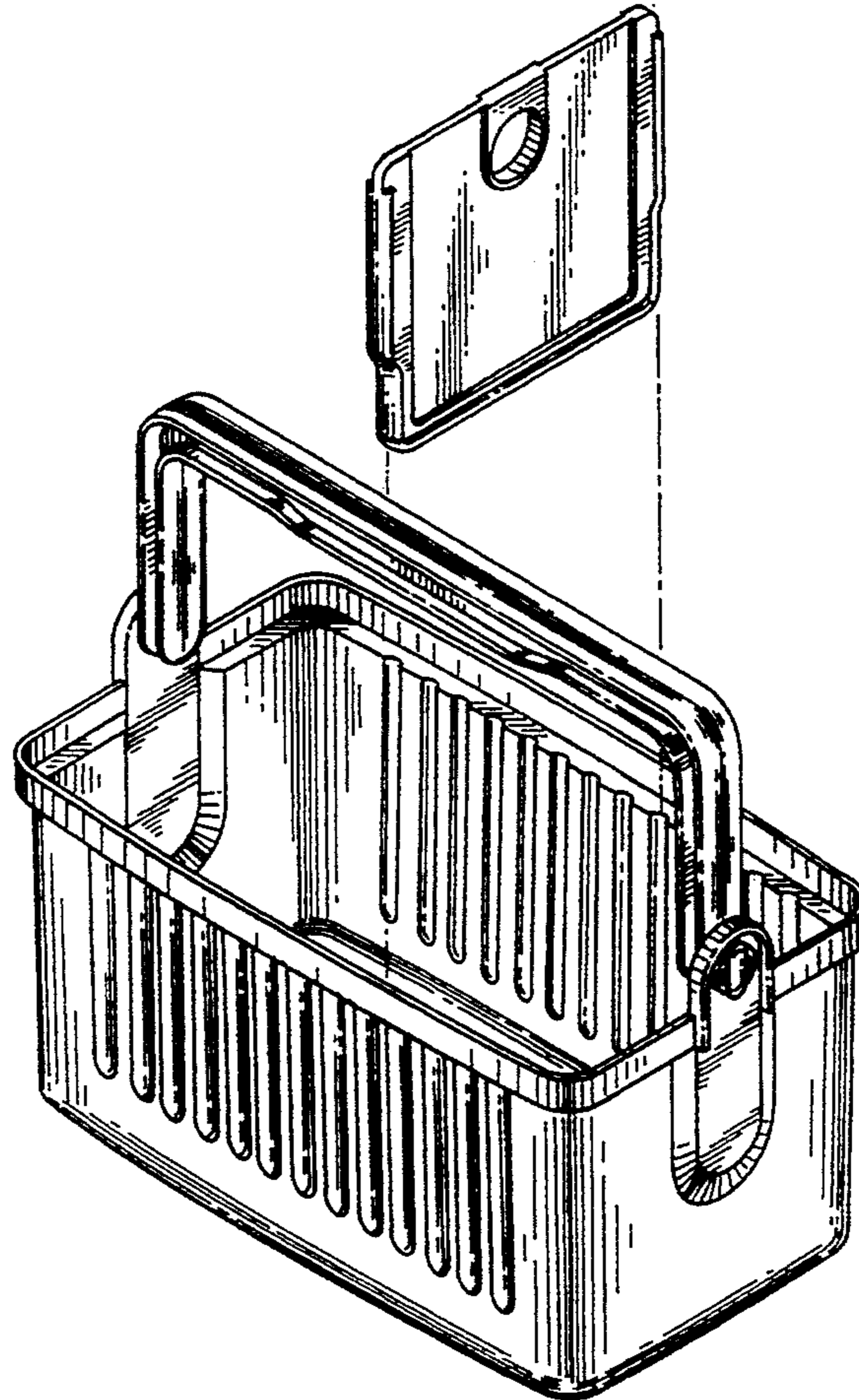
Primary Examiner—Terry A. Wallace
Assistant Examiner—Richelle Shelton
Attorney, Agent, or Firm—John A. Doninger

[57] **CLAIM**

The ornamental design for a carrier with handle, as shown and described.

DESCRIPTION

FIG. 1 is a top perspective view of a carrier with handle, with a divider exploded therefrom, showing our new design, the opposite top perspective view being a mirror image;
FIG. 2 is a top plan view thereof;
FIG. 3 is a side view thereof, the opposite side being the same;
FIG. 4 is a bottom plan view thereof;
FIG. 5 is an end view thereof, the opposite end being the same;
FIG. 6 is a sectional view thereof, with the divider removed, taken on line 6—6 in FIG. 2; and,
FIG. 7 is a sectional view thereof taken on line 7—7 in FIG. 2.



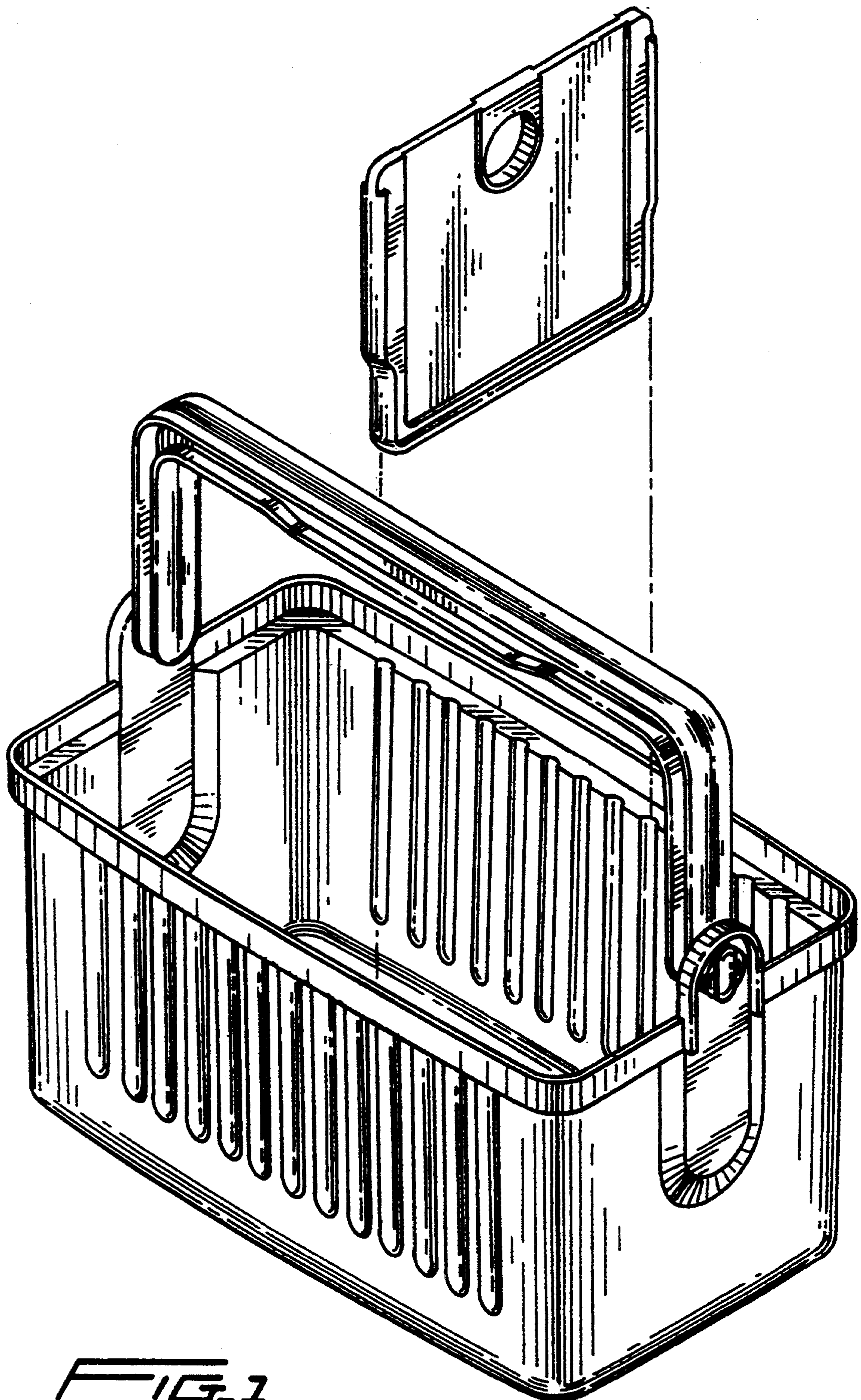


FIG. 1

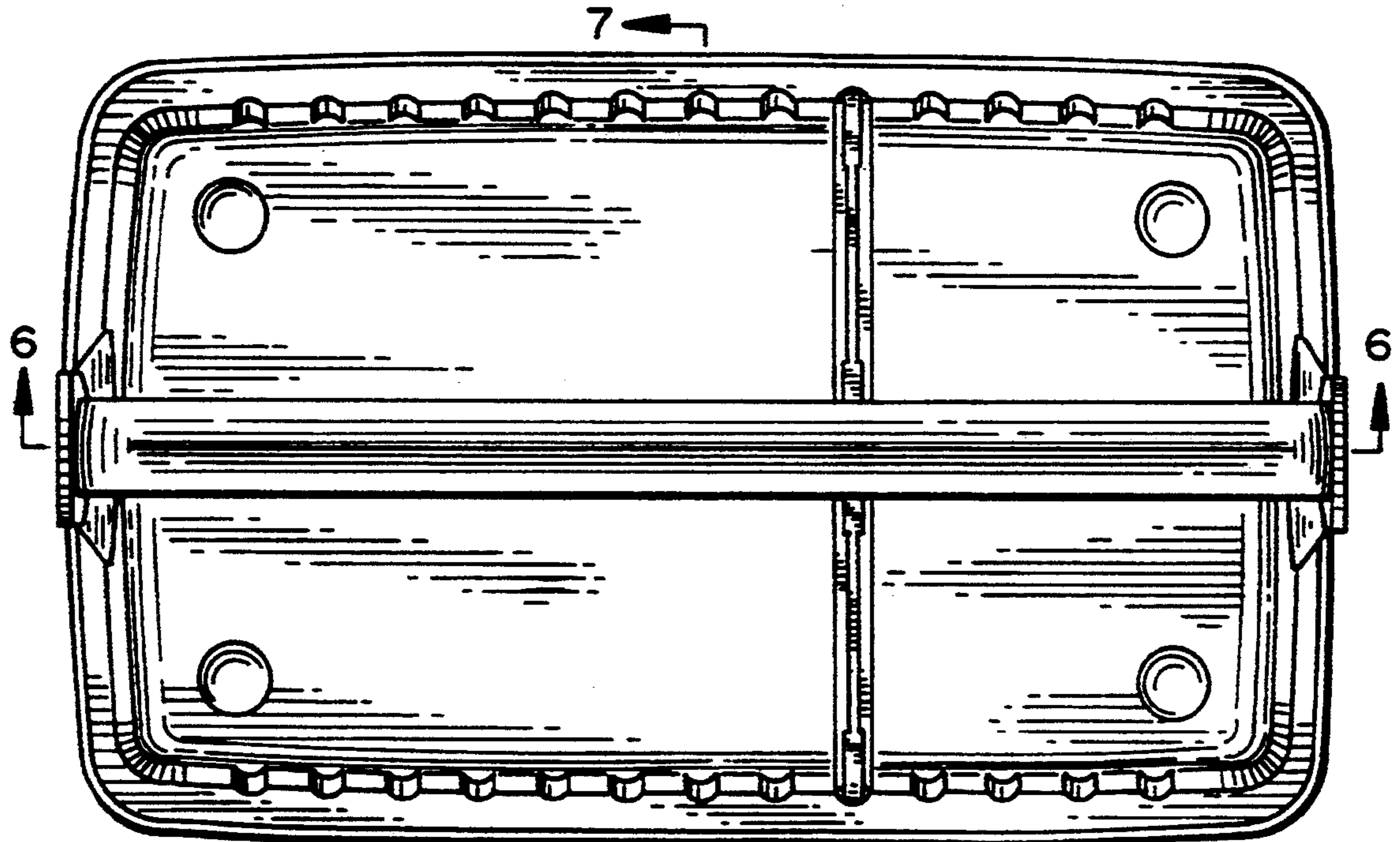


FIG. 2

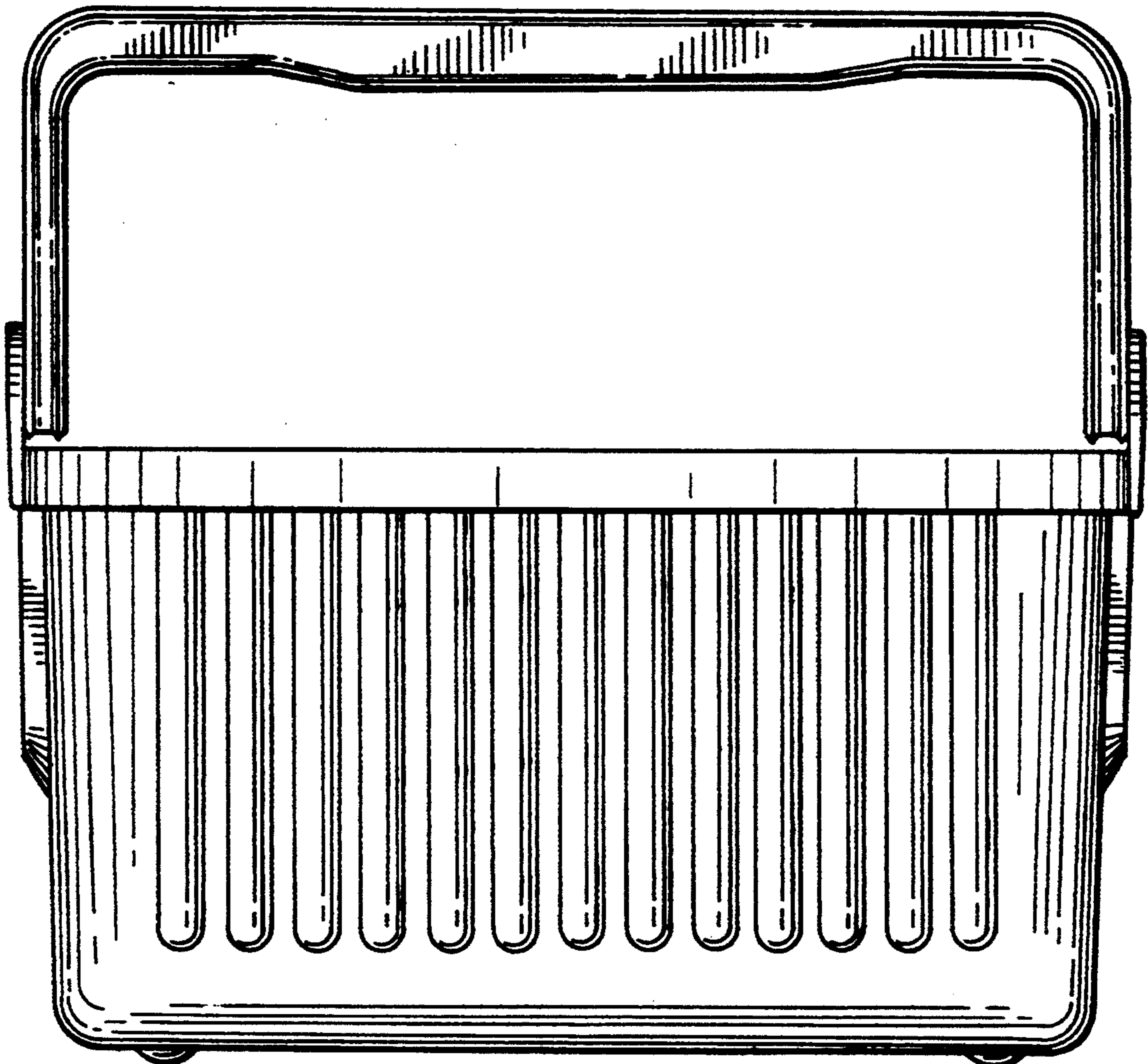


FIG. 3

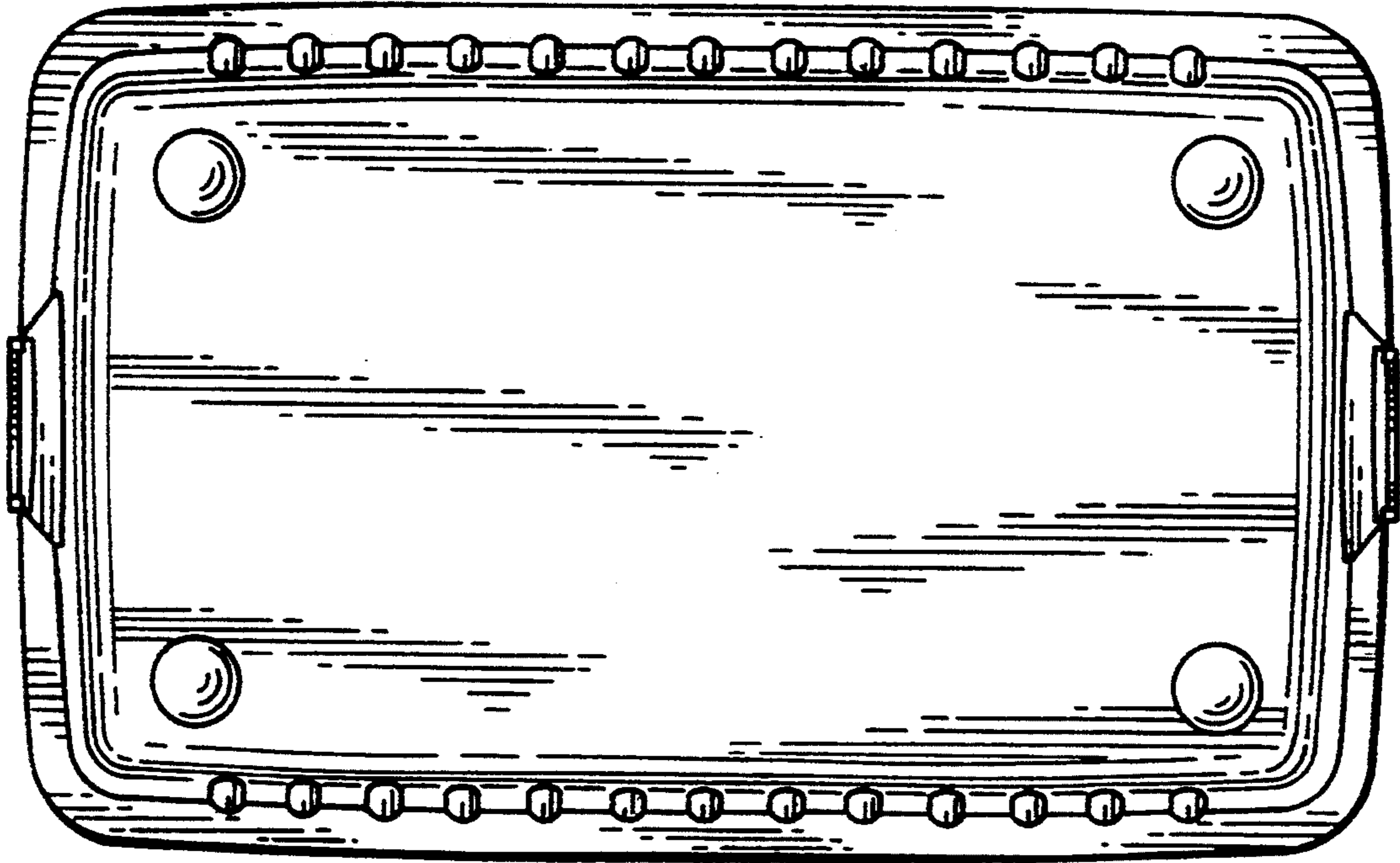


FIG. 4

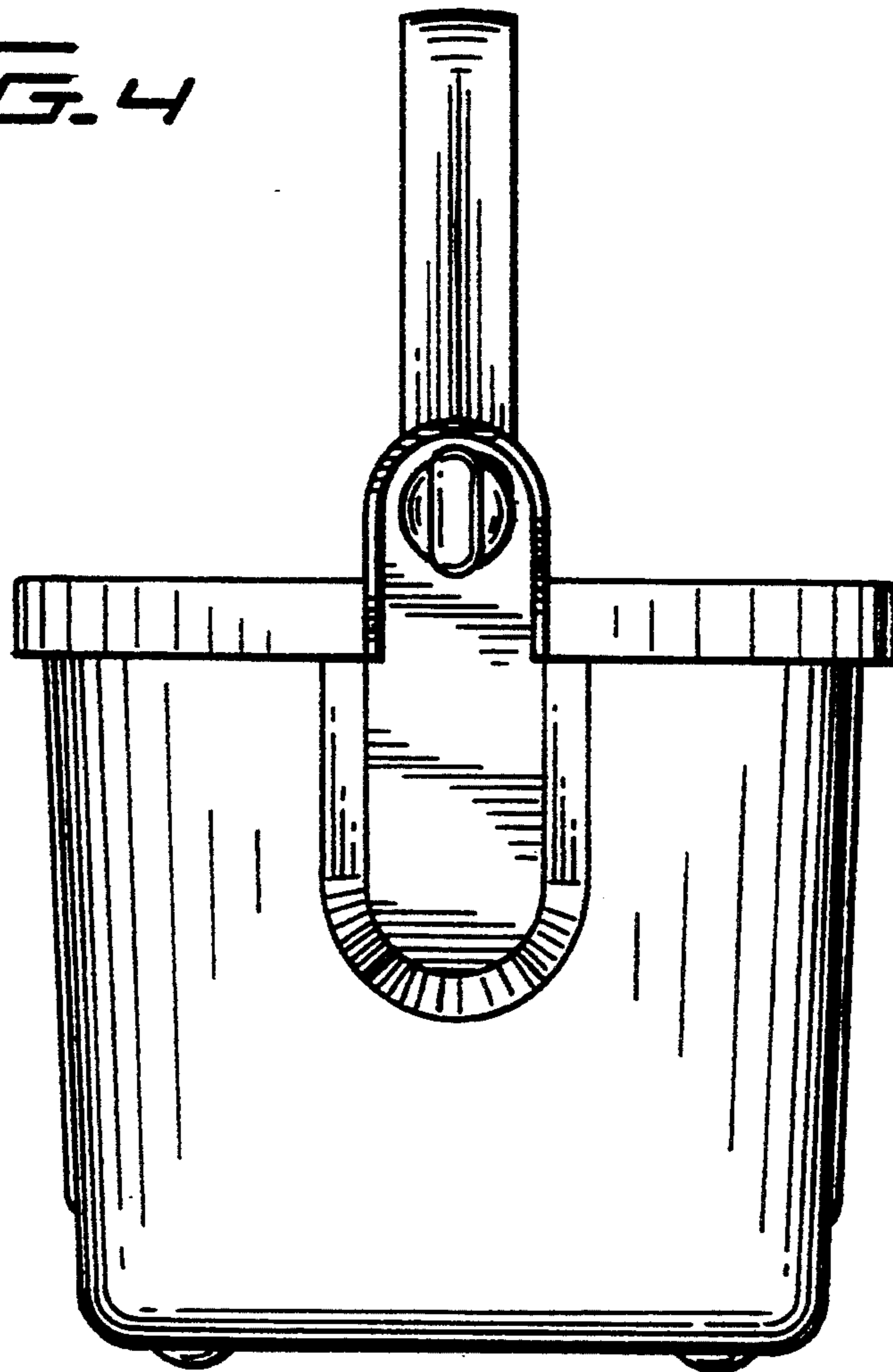


FIG. 5

FIG. 7

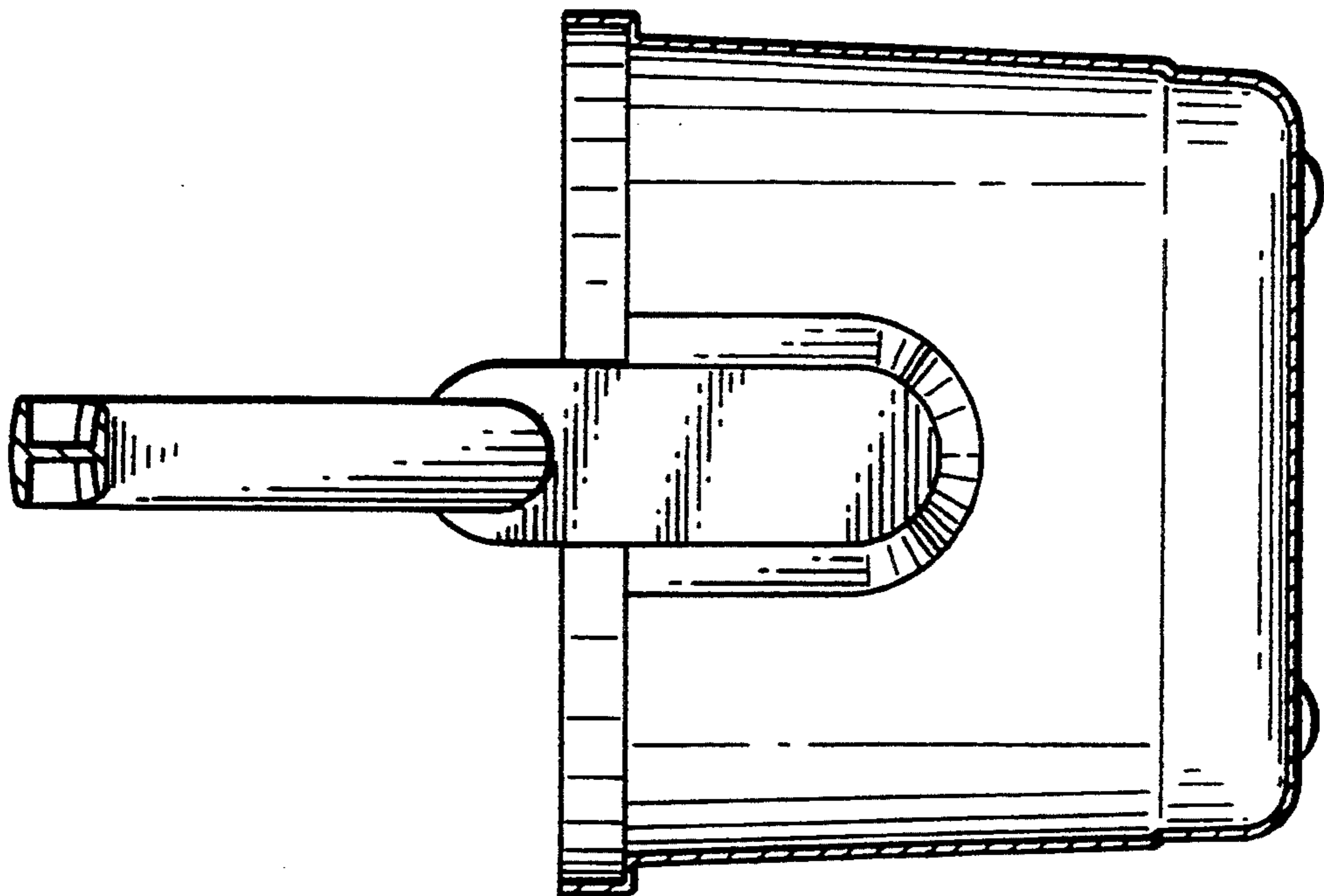


FIG. 6

